



ESSENTRA COMPONENTS

HIGH QUALITY AND RELIABLE HOSE AND FITTING PROTECTION

- Safeguard fluid handling parts from contamination or leaking in all stages of production, transit and storage
- Protect threads and control oil residue in hose fittings
- Anti-crushing and abrasion resistant spiral wrap and safety sleeves to ensure operator protection against puncture and damage



68



71



72



73



75



76



79



80



83



85



86



87



87



88



89

MORE THAN
500
HYDRAULIC
AND PNEUMATIC
PROTECTION
PRODUCTS
AVAILABLE

www.essentracomponents.co.uk

HYDRAULIC AND PNEUMATIC PROTECTION



HOSE PROTECTION

068



HOSE CLAMPS

080



SPECIALIST HYDRAULIC
CAPS AND PLUGS

086

SPIRALGUARD



The highest quality, uniquely produced hand inspected hose protection focused on reducing expensive downtime costs and increasing site safety.

SPIRALGUARD®

SR 1081
HDPE



SPIRALGUARD® BENEFITS

- Spiralguard® quality means your hose protection will last longer
- Spiralguard® reduces your costs by cutting hydraulic downtime by up to 80%
- Increase site safety with Spiralguard®'s market leading level of abrasion and anti-crush resistance
- High material memory leading to maximum coverage of your hydraulic hose
- Cut from extruded hose providing material memory

CHARACTERISTICS

- Suitable for the protection of most types of hydraulic, pneumatic and industrial hose assemblies
- The only plastic hose protection to be cut from pipe
- Exceptional anti-crushing and abrasion resistance
- Operating temperature: minimum -65°C
continuous +90°C
max +100°C
- Hand inspected product ensuring a high quality finish
- Available in black and yellow
- Manufactured within the UK
- Coiled and packed in cartons for easy storage
- Standard product packed in 20 metre coils
- Request your free sample to test the suitability of this product to your application.
- Light duty alternative now available.
Please see Spiral Wrap Polypropylene.

FITTING SPIRALGUARD®

How to calculate quantity:

Outside diameter of hose
 Nominal diameter Spiralguard® (mm) x length (m) of hose to be covered

Example:

25m length of 40mm diameter hose, select the Spiralguard® product based on wrapping range SGX-40

$40 \div 33 = 1.21$

$1.21 \times 25 \text{ (m)} = 30 \text{ metres of Spiralguard® SGX-40}$



Part Number		Nominal Diameter (inside diameter mm)	Wrapping Range	Hose Inside Diameter (in)	1-Wire	2-Wire	Multi Spiral	Dash Size	Standard Pack Quantity	
Black	Yellow									
SGX-12	-	9	9-13mm	3/16"	✓	-	-	-3	20m	
SGX-16	SGX-16Y	13	13-17mm	1/4"	✓	-	-	-4	20m	
SGX-20	SGX-20Y	15	16-22mm	1/4"	-	✓	-	-4	20m	
-	-	-	-	5/16"	✓	-	-	-5	20m	
-	-	-	-	3/8"	✓	✓	✓	-6	20m	
SGX-25	-	18.5	22-28mm	1/2"	✓	✓	✓	-8	20m	
SGX-32	SGX-32Y	27	27-33mm	5/8"	✓	✓	✓	-10	20m	
-	-	-	-	3/4"	✓	✓	✓	-12	20m	
SGX-40	-	33	33-44mm	1"	✓	✓	✓	-16	20m	
SGX-50	SGX-50Y	44	44-65mm	1 1/4"	✓	✓	✓	-20	20m	
-	-	-	-	1 1/2"	✓	-	✓	-32	20m	
SGX-75	SGX-75Y	65	65-90mm	2"	✓	-	✓	-24	20m	
SGX-90	SGX-90Y	80	Hose Looms 80mm-200mm							20m

Spiral Wrap

SR 1084

Black PP

- Providing maximum protection against abrasion
- Dramatically increases hose serviceable life
- Reduce costly repair, downtime and operator safety incidents
- Light duty material compared to HDPE, can be cut with scissors
- Operating range -40°C to 105°C



Part Number	Dimensions				Standard Pack Quantity
	Wrapping Range (mm)	Nominal Diameter I.D. (mm)	Pitch (mm)	Wall Thickness (mm)	
1287102	12.0-15.0	12.0	12.0	1.5	20m
1287103	15.0-18.0	16.0	15.0	2.0	20m
1287105	19.0-25.0	20.0	18.0	2.5	20m
1287106	23.0-29.0	25.0	21.0	2.5	20m
1287109	30.0-37.0	32.0	23.0	3.0	20m
1287112	39.0-47.0	42.0	25.5	3.5	20m
1287114	46.0-55.0	50.0	27.0	3.5	20m
1287116	68.0-70.0	74.0	29.0	4.4	20m
1287117	82.0-95.0	88.0	31.0	4.9	20m

Spiral Guard® FRAS

SR 1081

Black HDPE



- Flame Retardant Anti-Static Spiral Guard®
- Tested and approved in accordance with the former British Coal specification 182:1986, satisfying the requirements of the non-metallics scheme for use underground
- Tested and approved by Mine Safety Laboratory Department of Mineral Resources, NSW to AS2660 FRAS Compliance - 1991
- International Standard : ISO 6805

Patents apply:

- Australia: 747837
- Germany: 69912586.3-08
- Italy: 1062456
- United Kingdom: 1062456
- United States: 6286557

Part Number	Nominal Diameter (inside diameter mm)	Wrapping Range	Hose Inside Diameter (in)	1-Wire	2-Wire	Multi Spiral	Dash Size	Standard Pack Quantity
SGX-16FRAS	13	13-17mm	½"	✓	✓	-	-4	20m
SGX-20FRAS	16	16-22mm	¾"	-	✓	-	-4	20m
-	-	-	⅝"	✓	-	-	-5	20m
-	-	-	⅜"	✓	✓	✓	-6	20m
SGX-25FRAS	21	22-28mm	⅞"	✓	✓	✓	-8	20m
SGX-32FRAS	27	27-33mm	⅝"	✓	✓	✓	-10	20m
-	-	-	¾"	✓	✓	✓	-12	20m
SGX-40FRAS	33	33-44mm	1"	✓	✓	✓	-16	20m
SGX-50FRAS	44	44-65mm	1½"	✓	✓	✓	-20	20m
-	-	-	1½"	✓	✓	✓	-24	20m
SGX-75FRAS	65	65-90mm	2"	✓	✓	✓	-32	20m
SGX-90FRAS	80			Hose Looms 80mm-200mm				20m

QUESTIONS? GIVE US A CALL

Our Customer Service advisors can also help you find the right product for your application.

Call 0845 758 5070

www.essentracomponents.co.uk

Hose Protector

SR 6000

Black, Orange and Yellow PVC

- Protects hose against point of contact wear with abrasive surfaces
- Very durable material with high wear factor
- Moulded grooves designed to fit with cable ties
- Easy to apply and remove
- Typically used on hydraulic hoses, fuel and oil lines, brake systems, wiring harnesses and battery cables



Part Number	Length		Colour	Standard Pack Quantity
	(ins)	(mm)		
600620	4"	101.6	Orange	50
600621	4"	101.6	Black	50
600623	6"	152.4	Orange	50
600624	6"	152.4	Black	50
600625	6"	152.4	Yellow	50
600626	8"	203.2	Orange	50
600627	8"	203.2	Black	50
600628	8"	203.2	Yellow	50
600630	10"	254.0	Black	50
600762	12"	304.8	Orange	50
600763	12"	304.8	Black	50
600764	12"	304.8	Yellow	50

OUR LARGE RANGE OF
CAPS AND PLUGS...

...also available in
small pack quantities!

www.essentracomponents.co.uk

Fire Protection Sleeve

SR 6001

Outer Sleeve: Red Silicone

Inner Sleeve: 6 Micron Calcium Silicate Yarn



- High-performance flexible protection cover for cables, hydraulic leads and rubber hose lines
- Fire Protection Sleeving gives a protection against high temperatures, radiation heat, direct flames and liquid metal splashes
- Inner sleeve has good insulation properties, 700°C service temperature
- Red silicone outer cover is self-extinguishing
- Flexible sleeving allows easy application to curved or irregular shapes

Part Number	Internal Diameter (mm)	Standard Pack Quantity
600600	10	40m
600601	15	40m
600602	20	40m
600603	22	40m
600604	25	40m
600605	30	40m
600607	35	40m
600608	40	40m
600609	50	25m

Spiralguard® Fire Protection Sleeve

SR 6002

Outer Sleeve: Grey Silicone

Inner Sleeve: 6 Micron Calcium Silicate Yarn



SPIRALGUARD

- Premium Protection Cover for cables, hydraulic leads and rubber hose lines
- Provides protection against high temperatures, radiation heat, direct flames and liquid metal splashes
- Inner sleeve has good insulation properties, 700°C service temperature
- Smooth and thick extruded silicone outer cover
- Keeps shape well allowing easy application onto straight hoses, pipes and cables

Part Number	Internal Diameter (mm)	Standard Pack Quantity
56610	10	25m
56615	15	25m
56620	20	25m
56622	22	25m
56625	25	25m
56628	28	25m
56630	30	25m
56632	32	25m
56635	35	25m
56640	40	25m
56650	50	25m
56660	60	25m

Textile Sleeves

SR 1082

Black Polyamide 6

- Highly abrasion and burst resistant
- Temperature resistance: -40°C to +130°C
- Standard roll length: 50 metres
- US Mine Safety and Health Administration (MSHA) approved product
- Can be branded with your company logo and part numbers details



Part Number	Internal Diameter (mm)	External Flattened Width (mm)
1255545	17.0	29.9
1255546	20.1	34.0
1255547	23.1	39.1
1255548	24.9	41.9
1255549	26.9	45.0
1255550	31.0	52.1
1255551	36.1	56.9
1255552	39.9	66.0
1255553	43.9	71.9
1255554	47.0	77.0
1255555	55.1	88.9
1255556	59.9	97.0
1255557	72.9	118.2

Spiralguard® Quick Sleeves

SPIRALGUARD

SR 1080

Black 1050 ballistic basket weave

with 1-1½oz urethane coating on one side

- Applicable without the need to disconnect the hose assembly
- Resistant to heat, ozone and abrasion
- Easy assembly and removal of bundles



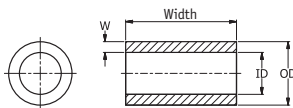
Part Number	Internal Diameter (mm)	Roll Length (m)
TQS-2	50.8	45
TQS-3	76.2	45
TQS-4	101.6	45
TQS-5	127.0	45
TQS-6	152.4	45
TQS-7	177.8	45
TQS-8	203.2	45

Aluminium Ring

SR 1098

Aluminium

- Use to seal the sleeve on the hose
- Crimped onto hose assembly



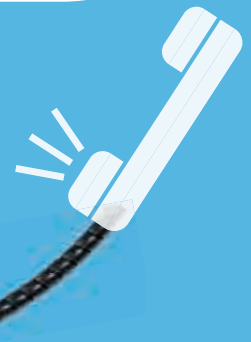
Part Number	Dimensions (mm)				Standard Pack Quantity
	OD	ID	W	Width	
1219799	20.0	17.0	1.5	27.0	25
1219800	25.0	22.0	1.5	27.0	25
1219801	30.0	27.0	1.5	27.0	25
1219802	35.0	32.0	1.5	27.0	25
1219803	40.0	36.0	2.0	27.0	25
1219804	45.0	39.0	3.0	30.0	25
1219805	50.0	46.0	2.0	27.0	25

QUESTIONS? WE ARE HERE TO HELP...

Visit us online for more information. Our Customer Service advisors can also help you find the right product for your application.

CALL
**0845 758
5070**

www.essentracomponents.co.uk



Cinch Straps: Standard and Hanging

SR 1099

Strap - Black Polyamide 11, plastic buckles

- Hook and loop design of strap holds hoses securely while allowing the hoses to expand or contract as pressure changes
- Heavy duty version is reinforced with Ballistic Cordura® Polyamide and is ultrasonically welded to a 1½" hook and loop material
- All hardware is nickel-plated steel



Standard Cinch Strap

Standard Part Number	Heavy Duty Part Number	Circumference of Hose Bundles (mm)	Straps per package
TCS-4	TCS-4H	100	5
TCS-8	TCS-8H	200	5
TCS-12	TCS-12H	300	5
TCS-16	TCS-16H	406	5
TCS-20	-	508	5
-	TCS-24H	609	5

Hanging Cinch Strap

Standard Part Number	Heavy Duty Part Number	Circumference of Hose Bundles (mm)	Straps per package
THCS-4	THCS-4H	100	5
THCS-8	THCS-8H	200	5
THCS-12	THCS-12H	300	5
THCS-16	THCS-16H	406	5
-	THCS-20H	508	5

THERE'S MORE ONLINE!

- Buy online
- Request free samples
- Easy to find products
- Download 3D CAD files

www.essentracomponents.co.uk



Radiant Heat Reflective Sleeve

SR 1100

Outer Sleeve: Aluminium Foil

Inner Sleeve: Fiberglass

Silver

- Creates a thermal layer between wires, cables or hoses and the high temperature environments they are in
- Reflects more than 95% of the radiant energy that hits its surface



Part Number	Dimensions		Roll Length (m)
	I.D. (mm)	Max. Bundle Diameter (mm)	
900404	10.0	11.0	30.5
900405	16.0	17.0	30.5
900406	20.0	21.0	30.5
900407	25.0	26.0	30.5
900408	30.0	31.0	30.5

Thermal Protection Sleeve

SR 1101

Nomex™ fibre

Natural

- Provides thermal protection and high abrasion resistance
- Soft feel and smooth appearance makes installation easy
- Cuts easily with standard scissors
- Operating Range: -196°C to 350°C



Part Number	Nominal Size (mm)	Expansion Range		Roll Length (m)
		Min (mm)	Max (mm)	
900365	3.0	1.0	4.0	30.5
900366	6.0	5.0	8.0	30.5
900367	8.0	6.0	10.0	30.5
900368	10.0	7.0	13.0	30.5
900369	12.0	8.0	16.0	30.5
900370	15.0	10.0	20.0	30.5
900371	20.0	14.0	26.0	30.5
900372	25.0	18.0	33.0	30.5
900373	30.0	20.0	39.0	30.5
900374	40.0	30.0	52.0	30.5
900375	50.0	40.0	65.0	30.5

PPS Expandable Sleeve

SR 1102

Polyphenylene sulfide monofilament Black

UL94 – V-0

- Used on flame resistant and high temperature cable assembly and wire harness applications
- Lightweight sleeve that has chemical resistance, low wear, dimensional stability, and low moisture stability
- Cuts cleanly with a hot knife



Part Number	Nominal Flat Width (mm)	Expansion Range		Roll Length (m)
		Min (mm)	Max (mm)	
900437	3.0	1.0	6.0	60.9
900438	6.0	3.0	9.0	60.9
900439	8.0	5.0	16.0	30.5
900440	10.0	7.0	19.0	30.5
900441	12.0	8.0	24.0	30.5
900442	16.0	10.0	27.0	30.5
900443	19.0	14.0	30.0	15.2
900444	25.0	18.0	35.0	15.2
900445	32.0	20.0	50.0	15.2
900446	38.0	30.0	60.0	15.2
900479	45.0	35.0	75.0	15.2
900449	50.0	40.0	80.0	15.2
900450	64.0	45.0	105.0	15.2
900451	76.0	64.0	120.0	15.2

PET Anti-Abrasion Sleeve

SR 1103

Polyethylene terephthalate Black

VW-1

- Has 300% more abrasion resistance than the standard polyester expandable sleeve
- The material has a wide operating temperature range. Is resistant to UV radiation and chemical degradation
- Cuts cleanly with a hot knife



Part Number	Nominal Flat Width (mm)	Expanded Range		Roll Length (m)
		Min (mm)	Max (mm)	
900461	3.0	1.0	6.0	60.9
900462	6.0	3.0	9.0	60.9
900463	8.0	5.0	16.0	30.5
900464	10.0	7.0	19.0	30.5
900465	12.0	8.0	24.0	30.5
900466	16.0	10.0	27.0	30.5
900467	19.0	14.0	30.0	15.2
900468	25.0	18.0	35.0	15.2
900469	32.0	20.0	50.0	15.2
900470	38.0	30.0	60.0	15.2
900471	45.0	35.0	75.0	15.2
900472	50.0	40.0	80.0	15.2
900473	64.0	45.0	105.0	15.2
900474	76.0	64.0	120.0	15.2

PA Expandable Sleeve

SR 1104

Polyamide 6.6 Black

VW-1

- Offers excellent abrasion resistance while maintaining a high degree of flexibility and durability
- Provides a smooth and slick surface that resists snags when dragged over a rough surface
- Cuts cleanly with a hot knife

Part Number	Nominal Flat Width (mm)	Expanded Range		Roll Length (m)
		Min (mm)	Max (mm)	
900426	3.0	1.0	6.0	60.9
900427	6.0	3.0	9.0	60.9
900428	8.0	5.0	16.0	30.5
900429	10.0	7.0	19.0	30.5
900430	12.0	8.0	24.0	30.5
900431	16.0	10.0	27.0	30.5
900432	19.0	14.0	30.0	15.2
900433	25.0	18.0	35.0	15.2
900434	32.0	20.0	50.0	15.2
900435	38.0	30.0	60.0	15.2
900436	45.0	35.0	75.0	15.2
900483	50.0	40.0	80.0	15.2
900484	64.0	45.0	105.0	15.2
900485	76.0	64.0	120.0	15.2



Expandable Sleeve

SR 1105

Polyester Black

VW-1

- The open weave construction allows for easy installation reducing assembly cost
- Cut and abrasion resistant with high thermal properties
- Flame-retardant, chemical resistant, and halogen free
- Used on wire harnessing applications where durability and low cost are essential
- Typically used with cables or wires

Part Number	Nominal Size (mm)	Expansion Range		Roll Length (m)
		Min (mm)	Max (mm)	
900303	3.0	1.0	6.0	60.9
900304	6.0	3.0	9.0	60.9
900305	8.0	5.0	16.0	30.5
900306	10.0	7.0	19.0	30.5
900307	12.0	8.0	24.0	30.5
900308	15.0	10.0	27.0	30.5
900309	20.0	14.0	30.0	15.2
900310	25.0	18.0	35.0	15.2
900311	30.0	20.0	50.0	15.2
900312	40.0	30.0	60.0	15.2
900313	45.0	35.0	75.0	15.2
900314	50.0	40.0	80.0	15.2
900315	64.0	45.0	105.0	15.2
900316	76.0	64.0	120.0	15.2

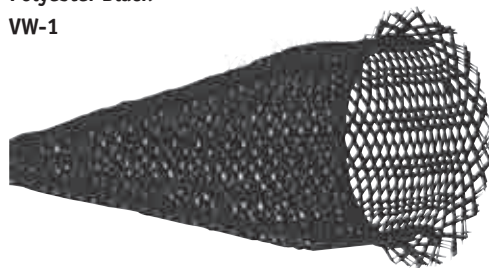


Scissor Cut Sleeve

SR 1106

Polyester Black

VW-1



- Can be cut with scissors and maintain a frayless end
- Perfect when used in the field where a hot knife is not available
- Excellent abrasion resistance
- Typically used with cables or wires

Part Number	Nominal Size (mm)	Expansion Range		Roll Length (m)
		Min (mm)	Max (mm)	
900289	3.0	1.0	5.0	60.9
900290	6.0	3.0	8.0	60.9
900291	8.0	5.0	10.0	30.5
900292	10.0	7.0	12.0	30.5
900293	12.0	8.0	14.0	30.5
900294	15.0	10.0	18.0	30.5
900295	20.0	14.0	23.0	15.2
900296	25.0	18.0	28.0	15.2
900297	30.0	20.0	35.0	15.2
900298	40.0	30.0	42.0	15.2
900299	45.0	35.0	48.0	15.2
900300	50.0	40.0	54.0	15.2
900301	64.0	45.0	70.0	15.2
900302	76.0	64.0	80.0	15.2

Self-Closing Braided Wrap

SR 1107

Polyester Black

UL94 - V-2



- The self closing 25% overlap design allows easy access to the cables or wires inside
- Can be assembled over components after they have already been installed
- Lightweight and abrasion resistant
- Cuts cleanly with a hot knife or scissors

Part Number	Dimensions		Roll Length (m)
	I.D. (mm)	Max. Bundle Diameter (mm)	
900452	6.0	7.0	30.5
900453	9.0	10.0	30.5
900454	13.0	14.0	30.5
900455	16.0	17.0	30.5
900456	19.0	20.0	30.5
900457	25.0	26.0	30.5
900458	32.0	33.0	15.2
900459	38.0	40.0	15.2
900460	50.0	52.0	15.2

Textile Heatshrink Sleeve

SR 1108

Polyester and polyolefin Black

- Shrink Ratio: 2:1
- Shrinkage temperature: 110°C to 185°C
- Provides excellent abrasion resistance and noise reduction
- Can be easily installed over connectors, fittings, splices, cables and hoses



Part Number	Nominal Size (mm)	Dimensions		Roll Length (m)
		As Supplied I.D (mm)	After Recovery I.D (mm)	
900317	10.0	10.0	5.0	30.5
900318	12.0	12.0	6.0	30.5
900319	20.0	20.0	10.0	30.5
900320	25.0	25.0	12.5	30.5
900321	30.0	30.0	15.0	30.5
900322	34.0	34.0	17.0	30.5
900323	40.0	40.0	20.0	30.5
900324	50.0	50.0	25.0	30.5
900325	60.0	60.0	30.0	30.5
900326	70.0	70.0	35.0	30.5
900327	80.0	80.0	40.0	30.5

YOUR JOB MADE EASIER:

- **FREE SAMPLES** – try before you buy
- **SMALL PACKS** – available in the quantities you need
- **RELIABLE DELIVERY** – same day shipping from stock
- **OUTSTANDING CUSTOMER SERVICE** – expert advice

Call 0845 758 5070

www.essentracomponents.co.uk



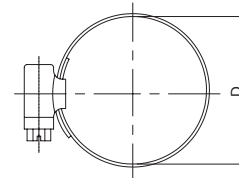
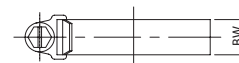
Worm-Drive Hoseclamps – AISI 304/W4

SR 6121

Stainless Steel AISI 304/W4

Band housing and screw is AISI 304

- 9mm band width has a recommended maximum tightening torque of 3.0Nm
- 12mm band width has a recommended maximum tightening torque of 5.0Nm
- Stamped rather than perforated band, with rolled-up edges, to avoid hose distortion when clamping a flexible rubber hose
- C7 hexagonal head allows standard tools to be used for fitting and removing



Part Number	Band Width (mm)	Clamping Range (mm)	Auto Code	Standard Pack Quantity
494315	9	8 – 16	000	50
494316	9	10 – 16	M00	50
494317	9	12 – 22	0/00	50
494318	12	16 – 25	0X	50
494319	12	20 – 32	1A	50
494320	12	25 – 40	1/1X	50
494321	12	32 – 50	2A	50
494322	12	40 – 60	2/2X	50
494323	12	50 – 70	3	50

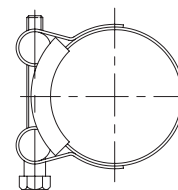
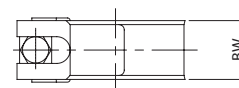
T-Bolt Clamps – AISI 304/W4

SR 6122

Stainless Steel AISI 304/W4

Band housing and screw is AISI 304

- Clamp conforms to DIN 3017
- Band has rolled up edges to prevent cutting into the hose
- The bridge, solid rings and three welded points ensure strength with increased safety
- The raised screw head facilitates tightening
- C7 hexagonal head allows standard tools to be used for fitting and removing



Part Number	Band Width (mm)	Clamping Range (mm)	Bolt Size	Standard Pack Quantity
494324	18.0	17 – 19	M5 x 40	100
494325	18.0	20 – 22	M5 x 40	100
494327	18.0	26 – 28	M5 x 40	100
494328	20.0	29 – 31	M6 x 50	100
494329	20.0	32 – 35	M6 x 50	50
494330	20.0	36 – 39	M6 x 50	50
494331	20.0	40 – 43	M6 x 50	50
494332	22.0	44 – 47	M6 x 60	50
494333	22.0	48 – 51	M6 x 60	50
494334	22.0	52 – 55	M6 x 60	50
494335	22.0	56 – 59	M6 x 60	50
494337	22.0	64 – 67	M8 x 70	50
494338	24.0	68 – 73	M8 x 70	50
494339	24.0	74 – 79	M8 x 70	50
494341	24.0	83 – 88	M8 x 75	25
494345	24.0	104 – 112	M8 x 80	25

Worm-Drive Hose Clamps

SR 6100

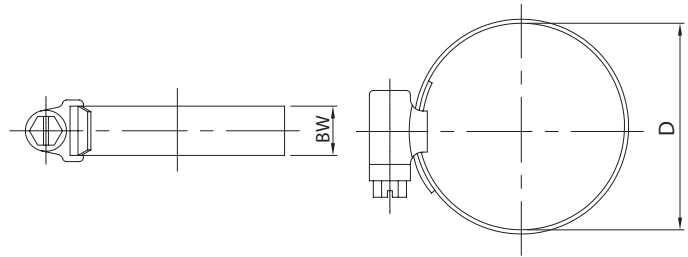
Stainless Steel Band (AISI 430/W2)

Yellow Galvanised Steel Screw

- 9mm band width has a recommended maximum tightening torque of 3.0Nm
- 12mm band width has a recommended maximum tightening torque of 5.0Nm
- Solid band offers better hose protection than perforated alternative
- Spotwelded house
- C7 Hexagonal screw



Part Number		Clamping Range (mm)	Auto Code	Standard Pack Quantity
9mm Band Width	12mm Band Width			
600460	-	8 - 12	000	50
600461	-	10 - 16	M00	50
600462	-	12 - 22	0/0	50
600463	600473	16 - 25	0X	50
-	600474	20 - 32	1A	50
-	600475	25 - 40	1	50
-	600476	32 - 50	1X	50
-	600477	40 - 60	-	50
-	600478	50 - 70	2A	50



T-Bolt Clamps

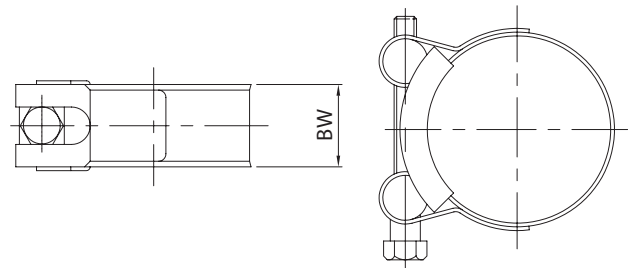
SR 6101

Stainless Steel (AISI 430/W2)

- Clamp conforms to DIN 3017
- Secures pipes and hoses at high pressure
- Strong construction with full bushings



Part Number	Band Width (mm)	Clamping Range (mm)	Bolt Size	Standard Pack Quantity
600480	18.0	17 - 19	M5 x 40	100
600481	18.0	20 - 22	M5 x 40	100
600482	18.0	23 - 25	M5 x 40	100
600483	18.0	26 - 28	M5 x 40	100
600484	20.0	29 - 31	M6 x 50	100
600485	20.0	32 - 35	M6 x 50	50
600486	20.0	36 - 39	M6 x 50	50
600487	20.0	40 - 43	M6 x 50	50
600488	22.0	44 - 47	M6 x 60	50
600489	22.0	48 - 51	M6 x 60	50
600490	22.0	52 - 55	M6 x 60	50
600491	22.0	56 - 59	M6 x 60	50
600492	22.0	60 - 63	M8 x 60	50
600493	22.0	64 - 67	M8 x 70	50
600494	24.0	68 - 73	M8 x 70	50
600495	24.0	74 - 79	M8 x 70	50
600496	24.0	80 - 85	M8 x 75	25
600497	24.0	86 - 91	M8 x 75	25
600498	24.0	92 - 97	M8 x 75	25
600499	24.0	98 - 103	M8 x 80	25
600500	24.0	104 - 112	M8 x 80	25



HYDRAULICS SELECTION GUIDE

The right hydraulic protection depends on your application.

Use this guide to help you pinpoint the range that's perfect for your needs.

WHAT'S YOUR PRIORITY?

HOSES

SOLUTION	Flame resistance	Impact resistance	Burst resistance	Easy access to protected hoses
SPIRAL GUARD FRAS	✓	✓		
FIRE PROTECTIVE SLEEVES	✓		✓	
MSHA HOSE PROTECTION SLEEVES	✓		✓	
HOSE WEAR PROTECTORS		✓		✓
SPIRALGUARD		✓		
HOSE PROTECTION SLEEVES			✓	

FITTINGS

SOLUTION	Prevents ingress of dirt and moisture
BANJO UNION CAPS/PLUGS	✓
GREASE NIPPLE CAPS	✓

THREADS

SOLUTION	Internal thread protection	External thread protection	Prevents leakage
THREADED O-RING PLUG	✓		✓
THREADED PLUG	✓		
THREADED SEALING CAP		✓	✓
THREADED PROTECTION CAP		✓	

MACHINED PARTS

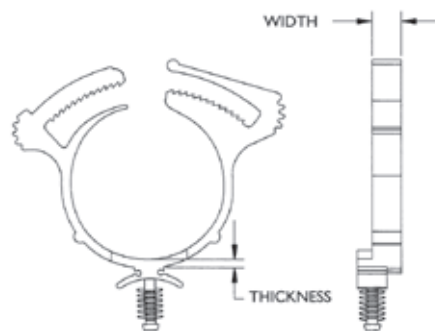
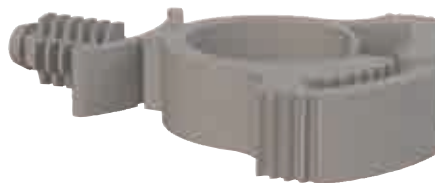
SOLUTION	Internal Profile	External Profile	Thread Protection	Hand Installation	Tool Installation	Protects common external coupling	Protects less common profiles
SNAP FIT PLUG	✓		✓	✓			
SLOTTEX PLUG	✓		✓		✓		
COMPRESSION FIT PLUG	✓						
HEXAGONAL CAP		✓				✓	
MULTI-FLEX CAP		✓					✓

Fin Clip Base Interlocking Hose Clamps

SR V-0002

Polyamide 6.6 Natural

- Overlapping and interlocking jaw
- Fin clip base allow fastening to hole size 4.75 mm



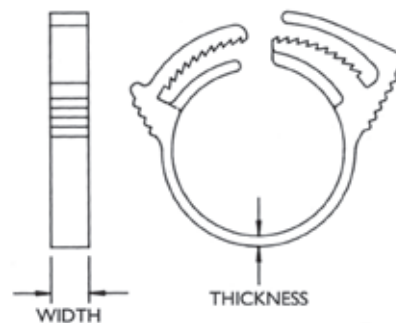
Part Number	Dimensions (mm)				Standard Pack Quantity
	Width	Thickness	Bundle Size	Panel Thickness	
22HCF037188	5.84	1.78	9.14-10.03	0.79-6.35	500
22HCF106188	6.35	1.78	25.15-28.83	0.79-6.35	500

Interlocking Hose Clamps

SR V-0000

Polyamide 6.6 Natural

- Patented interlocking design eliminates leak path
- Clamp may be removed
- Easy installation



Part Number	Dimensions (mm)			Standard Pack Quantity
	Width	Thickness	Bundle Sizes	
22HC0250	5.56	1.19	5.90-6.60	500
22HC0312	5.56	1.59	7.62-8.89	500
22HC0344	5.56	1.59	9.14-9.91	500
22HC0406	6.35	1.59	10.41-11.89	500
22HC0468	5.56	1.59	12.07-13.61	500
22HC0531	6.35	1.59	13.67-15.44	500
22HC0593	6.35	1.59	15.16-17.27	500
22HC0672	5.56	1.59	17.02-19.71	500
22HC0750	5.56	1.59	18.54-20.95	500
22HC0813	5.49	1.59	19.05-22.23	500
22HC0875	5.56	1.59	21.33-23.87	500
22HC0953	6.35	1.59	22.47-26.03	500
22HC1031	7.94	1.59	26.19-30.15	500
22HC1250	7.94	1.59	31.75-36.20	500
22HC1406	8.73	1.59	35.71-40.89	500
22HC1593	8.73	1.59	40.46-46.02	500
22HC1687	8.73	1.59	45.47-53.59	500
22HC1875	10.32	1.59	47.50-53.96	500
22HC2125	10.32	1.59	53.85-60.71	500

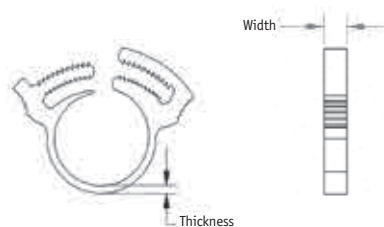
Double Grip Interlocking Hose Clamps

SR V-0001

Polyamide 6.6 Black



- Feature a double tooth interlocking jaw for exceptional strength
- Removable and reusable
- Quick and easy installation



Part Number	Dimensions (mm)			Standard Pack Quantity
	Width	Thickness	Bundle Sizes	
22DGHC00A	4.34	1.57	5.59-6.5	500
22DGHC00B	4.75	1.57	7.9-9.19	500
22DGHC00AA	4.5	1.65	1.65-7.62	500
22DGHC00BB	4.5	1.65	9.19-10.31	500
22DGHC00C	5.79	1.57	10.21-11.81	500
22DGHC00CC	6.35	1.57	11.1-12.9	500
22DGHC00D	6.1	1.57	11.99-13.79	500
22DGHC00E	7.19	1.98	13.11-15.09	500
22DGHC00F	7.24	1.98	15.01-17.09	500
22DGHC00G	7.14	1.98	16.89-19.11	500
22DGHC00H	7.11	1.98	18.11-20.6	500
22DGHC00J	6.4	1.98	20.29-23.01	500
22DGHC00K	7.01	1.98	22.2-22.86	500
22DGHC00L	7.11	1.98	24.51-27.61	500
22DGHC00M	8.05	2.36	26.49-29.49	500
22DGHC00N	8.99	1.98	28.8-32.21	500
22DGHC00P	9.09	1.98	32.0-34.8	500
22DGHC00Q	8.89	1.98	34.29-37.9	500

Part Number	Dimensions (mm)			Standard Pack Quantity
	Width	Thickness	Bundle Sizes	
22DGHC00R	9.19	1.98	38.0-41.0	500
22DGHC00S	8.99	1.98	40.11-44.2	500
22DGHC00T	8.89	1.98	43.21-46.2	500
22DGHC00U	8.99	1.98	46.0-50.5	500
22DGHC00V	8.99	1.98	48.49-53.8	500
22DGHC00W	8.99	2.36	53.01-56.49	500
22DGHC00X	9.4	2.36	54.99-60.5	500
22DGHC059	9.12	2.77	59.0-64.69	500
22DGHC064	9.16	2.59	62.99-67.41	500
22DGHC065	9.5	2.77	65.0-69.01	250
22DGHC066	9.19	1.98	65.81-71.7	500
22DGHC070	9.12	2.36	70.0-75.41	250
22DGHC075	9.37	2.59	74.7-80.49	500
22DGHC078	8.81	2.59	77.69-81.2	500
22DGHC080	8.99	3.09	79.8-84.98	500
22DGHC085	8.89	2.51	85.09-90.6	500
22DGHC096	8.53	2.51	97.66-102.1	500
22DGHC105	8.68	2.48	105.3-111.81	500

A FULL SOLUTION TO PROTECT YOUR HYDRAULIC HOSE

www.essentracomponents.co.uk

SLEEVES

For anti-burst
protection

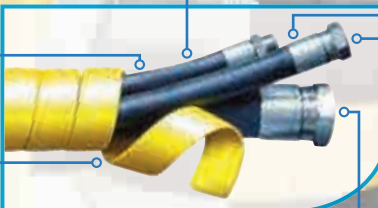
Page 73



CINCH STRAPS

For Hook and
Loop bundle

Page 74



HOSE CLAMPS

To secure your
protection

Page 80



SPIRAL WRAP

For anti-crush and
abrasion protection

Page 68



CAPS

For pipe fittings
protection

Page 64



HEXAGONAL CAPS

For Hydraulic
Couplings

Page 87



Plastic Hose Clamps

SR 1934

Polyamide 6.6

Part Number			Dimensions (mm)		Standard Pack Quantity
Grey	White	Black	Hose Diameter	W	
135010100202	135010111302	135010159902	6.6-8.0	5.0	100
135010200202	135010211302	135010259902	8.0-9.2	5.0	100
135010300202	135010311302	135010359902	9.2-10.5	5.0	100
135010400202	135010411302	135010459902	10.2-12.0	6.0	100
135010500202	135010511302	135010559902	12.0-13.5	6.0	100
135010600202	135010611302	135010659902	12.8-15.0	7.0	100
135010700202	135010711302	135010759902	15.0-17.2	7.0	100
-	135010811302	135010859902	17.0-18.5	7.0	100
135010900202	135010911302	135010959902	18.2-20.5	7.0	100
135011000202	135011011302	135011059902	20.5-23.0	7.0	100
135011100202	135011111302	135011159902	22.0-25.0	7.0	100
135011200202	135011211302	135011259902	25.0-28.0	7.0	100
135011300202	-	135011359902	27.0-30.0	7.5	100
135011400202	-	135011459902	29.5-32.5	7.5	100
135011500202	135011511302	135011559902	32.5-35.5	8.0	100
135011600202	-	135011659902	35.0-38.5	8.0	50
135011700202	-	135011759902	38.0-41.5	8.0	50
135011800202	135011811302	135011859902	41.0-44.5	8.0	50
135011900202	-	135011959902	44.0-47.5	8.0	50
-	135012011302	135012059902	47.0-50.5	8.0	50
135012100202	-	135012159902	50.0-53.5	8.0	50
135012200202	-	135012259902	53.0-57.0	8.0	50
135012300202	135012311302	135012359902	56.5-60.5	8.0	50
135012400202	135012411302	135012459902	60.0-65.0	8.0	50
-	135012511302	135012559902	66.0-70.0	8.0	50
135012600202	-	135012659902	70.0-75.0	8.0	50
135012700202	135012711302	135012759902	76.0-80.0	8.0	50
135012800202	135012811302	135012859902	80.0-85.0	8.0	50



Steel Clamp with Rubber Cushion

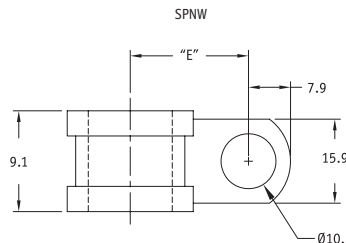
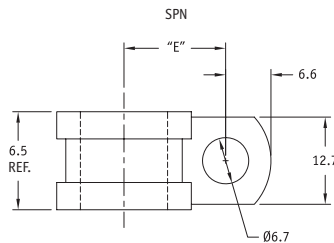
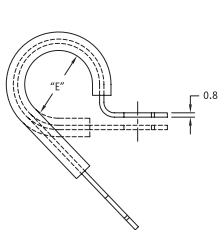
SR 1109

SPN/SPNW

Cold Rolled Steel, Zinc Electroplated

Cushion TPE Black

Temperature Range: -40°C to +150°C



Part Number	Dimensions (mm)		Standard Pack Quantity
	"E" Ref.	"D" Holding Ø	
SPN-3	12.7	4.8	500
SPN-4	13.5	6.4	500
SPN-5	14.2	7.9	500
SPN-6	15	9.5	500
SPN-7	15.7	11.1	500
SPN-8	16.5	12.7	500
SPN-9	19.1	14.3	500
SPN-10	19.8	15.9	500
SPN-11	20.6	17.5	500
SPN-12	21.3	19.1	500
SPN-14	22.9	22.2	100
SPN-16	24.4	25.4	100
SPN-18	26.7	28.6	100
SPN-20	28.2	31.8	100

Part Number	Dimensions (mm)		Standard Pack Quantity
	"E" Ref.	"D" Holding Ø	
-	-	-	-
SPNW-4	16	6.4	100
SPNW-5	16.8	7.9	100
SPNW-6	17.5	9.5	100
SPNW-7	18.3	11.1	100
SPNW-8	19.1	12.7	100
-	-	-	-
SPNW-10	22.4	15.9	100
SPNW-11	23.1	17.5	100
-	-	-	-
SPNW-14	25.4	22.2	100
SPNW-16	26.9	25.4	100
-	-	-	-
SPNW-20	30.7	31.8	100

SPECIALIST HYDRAULIC CAPS AND PLUGS

SAE Flange Protector

SR F-0004

LDPE Red

- Protective cap for SAE flange nipple
- For use in 3000 and 6000 SAE PSI applications
- Temperature : Min. -30°C, Max. +50°C



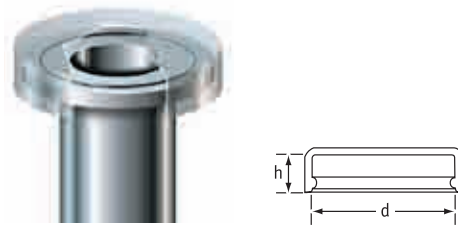
Part Number	PSI	Nominal Diameter	Dimensions (mm)		Standard Pack Quantity
			C	E	
3451000	3000	½"	30.25	9.38	500
3452000	3000	¾"	37.95	9.38	500
3453000	3000	1"	44.45	10.74	250
3454000	3000	1¼"	50.65	10.74	250
3455000	3000	1½"	60.30	10.74	200
3456000	3000	2"	71.50	12.24	100
3457000	6000	½"	31.80	10.44	500
3458000	6000	¾"	41.30	11.54	250
3459000	6000	1"	47.60	12.14	250
3460000	6000	1¼"	54.00	12.94	250
3461000	6000	1½"	63.50	14.00	200
3462000	6000	2"	79.40	14.00	100
3462500	6000	3½"	89.70	12.90	100

SAE Butt Weld Covers

SR 1029

Natural LDPE

- Designed to protect split-flange coupling surfaces
- The translucent material allows the O-ring to remain visible while providing secure protection by an internal locking bead



SAE 3000psi

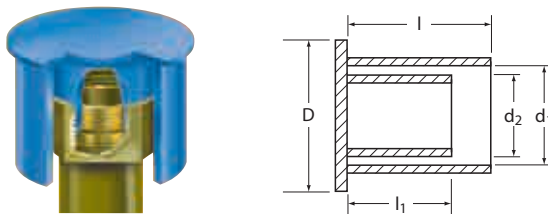
Part Number	Nominal Diameter (ins)	Dimensions (mm)		Standard Pack Quantity
		d	h	
110541	½"	30.2	9.9	2500
110542	⅝"	33.7	10.5	4000
110543	¾"	38.3	11.0	3000
110544	1"	44.7	11.8	2000
110545	1¼"	51.0	11.8	1700
110546	1½"	60.5	11.8	1200
110547	2"	71.3	14.8	750
110548	2½"	84.0	12.7	550

O-Ring Face Seal Caps

SR 1078

Blue LDPE

- Purpose-made for protection of ORF female fittings



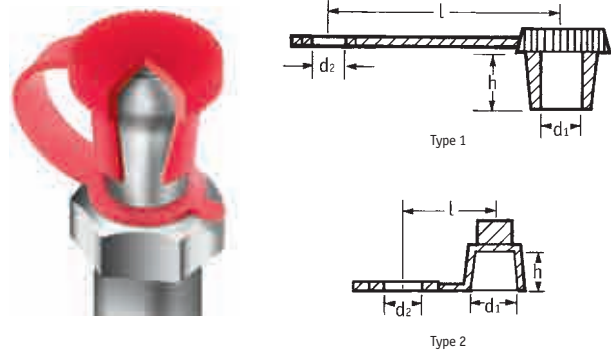
Part Number	UNF/JIC Thread Size	Dimensions (mm)					Standard Pack Quantity
		D	d1	d2	I	I1	
110187	⅝"-18	22.2	19.5	12.7	14.7	8.3	3500
110188	⅞"-16	25.0	22.9	15.1	17.1	9.4	2500
110189	1⅜"-16	29.4	26.8	19.1	21.0	10.9	3000
110190	1"-14	34.9	31.9	23.0	23.4	13.5	2000
110191	1⅜"-12	41.3	38.9	27.8	26.2	14.5	1200
110192	1⅞"-12	46.8	45.8	34.1	27.8	14.7	900
110193	1⅜"-12	54.0	53.2	40.5	27.8	14.7	700

Grease Nipple Caps

SR 1019

Red LDPE

- Effective, low-cost protection for grease nipples
- Designed to remain attached to the base



Part Number	Type	Dimensions (mm)				Standard Pack Quantity
		d1	d2	L	h	
087063000503	1	6.0	6.4	29.5	9.3	50
61454	2	6.3	6.2	11.6	5.2	10000

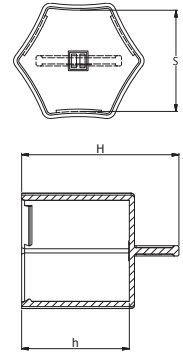
Hexagonal Caps

SR 1127

Natural LDPE

Part Number	Dimensions (mm)			To Suit Size	Standard Pack Quantity
	h	H	S		
490632	16.0	28.0	10.7	M10	500
490633	18.0	30.0	13.7	M12, 1/8" BSP, 7/16" UNF	500
490634	20.0	32.0	15.7		500
490635	20.0	32.0	16.7	M14, 1/2" UNF	500
490636	25.0	39.0	18.7	M16, 1/4" BSP, 9/16" UNF	500
490637	25.0	39.0	21.6	M18, 3/8" BSP, 3/4" UNF	500
490638	28.0	42.0	23.6		500
490639	28.0	42.0	24.6		250
490640	28.0	42.0	26.6	M22, 1/2" BSP, 7/8" UNF	250
490641	30.0	44.0	28.6		250
490642	30.0	44.0	29.6	M36, 1" BSP, 1 1/16" UNF	250
490643	30.0	44.0	31.6	M26, 3/4" BSP, 1 1/16" UNF	250
490644	30.0	44.0	35.5	M30	250
490645	31.0	45.0	37.5		100
490646	31.0	45.0	40.5	M36, 1" BSP, 1 1/16" UNF	100

- Hexagonal caps are available in all common hydraulic coupling sizes
- Rigid design allows easy application and removal
- Also suitable for protecting round components



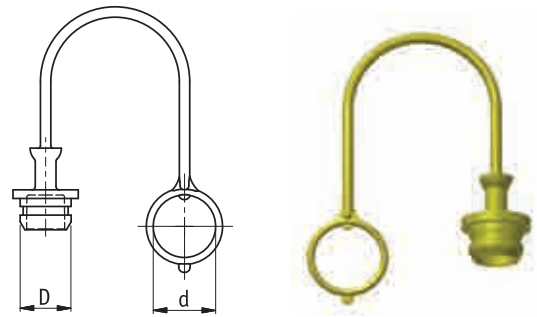
Quick Release Dust Plug

SR 1182

TPE

Part Number				Size	Serie	Dimensions (mm)		Standard Pack Quantity
Red	Yellow	Green	Blue			D	d	
499766	499776	499786	499796	1/4"	ISO A	12.7	19.6	150
499767	499777	499787	499797	3/8"	ISO A	18.3	25.0	150
499768	499778	499788	499798	1/2"	ISO A	23.6	31.0	150
499769	499779	499789	499799	3/4"	ISO A	29.2	36.0	150
499770	499780	499790	499800	1"	ISO A	36.5	48.0	150
499771	499781	499791	499801	1/2"	ISO B	15.5	22.2	150
499772	499782	499792	499802	3/8"	ISO B	20.0	28.0	150
499773	499783	499793	499803	1/2"	ISO B	25.7	35.0	150
499774	499784	499794	499804	3/4"	ISO B	32.7	42.0	150
499775	499785	499795	499805	1"	ISO B	40.5	51.0	150

- Male fitting suitable to plug ISO A and ISO B series
- Designed to remain attached to the hose
- Excellent Protection from dirt, moisture and corrosion
- Temperature -40°C to 135°C



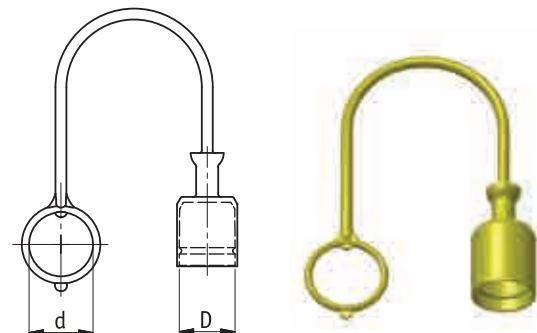
Quick Release Dust Caps

SR 1181

TPE

Part Number				Size	Serie	Dimensions (mm)		Standard Pack Quantity
Red	Yellow	Green	Blue			D	d	
498796	499736	499746	499756	1/4"	ISO A	12.7	20.0	150
498797	499737	499747	499757	3/8"	ISO A	18.3	25.0	150
498798	499738	499748	499758	1/2"	ISO A	24.3	28.0	150
498799	499739	499749	499759	3/4"	ISO A	30.7	35.0	150
498800	499740	499750	499760	1"	ISO A	36.5	42.0	150
498801	499741	499751	499761	1/2"	ISO B	15.5	20.0	150
498802	499742	499752	499762	3/8"	ISO B	20.0	23.0	150
498803	499743	499753	499763	1/2"	ISO B	25.7	28.0	150
498804	499744	499754	499764	3/4"	ISO B	32.7	34.0	150
498805	499745	499755	499765	1"	ISO B	40.5	43.0	150

- Female fitting suitable to cap ISO A and ISO B series
- Designed to remain attached to the hose
- Excellent Protection from dirt, moisture and corrosion
- Temperature -40°C to 135°C

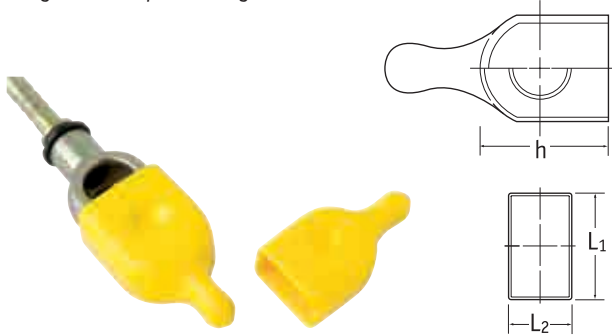


Banjo Union Caps

SR 1071

Yellow Flexible PVC

- Snug fitting protects against dirt ingress
- Flexible, for easy fitting
- Fits hydraulic banjo unions to DIN 7642 B/E
- Finger tab for quick fitting and removal



Part Number	Pipe Outside Diameter (mm)	Dimensions (mm)			Standard Pack Quantity
		L1	L2	h	
BCWJ-08	4.0/5.0	14.0	8.0	15.0	5000
BCWJ-10	6.0	17.0	10.0	20.0	2500
BCWJ-12	8.0	20.0	12.0	25.0	2500
BCWJ-14	10.0	24.0	14.0	30.0	1250

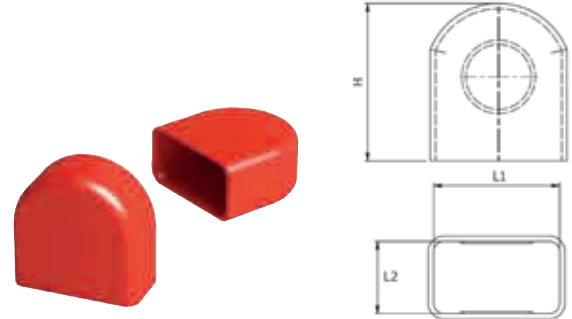
Protection Caps for Banjo Connections

SR F-0005

HDPE Red



- External assembly cover during transportation and storage of banjo connectors
- Temperature: Min. -30°C, Max. +80°C



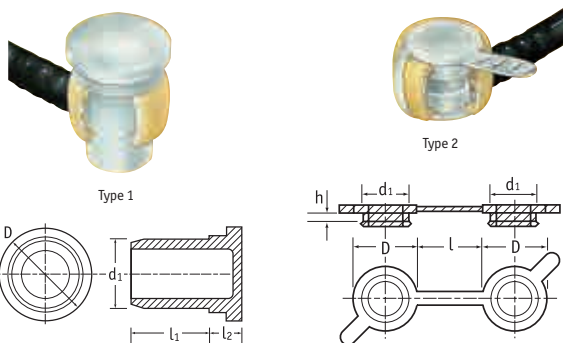
Part Number	Dimensions (mm)			Standard Pack Quantity
	H	L1	L2	
3770800	19.0	17.0	9.8	1000
3770900	22.0	20.0	11.9	1000
3771000	26.0	24.0	13.8	500
3772000	30.0	28.0	15.9	500
3773000	35.0	32.0	19.9	250
3775000	45.5	39.0	24.9	150
3776500	45.0	43.0	27.9	100

Banjo Union Plugs

SR 1016

Natural LDPE

- Prevent ingress of dirt and moisture
- Fit banjo unions DIN 7642 B/E



Type 1

Part Number	Pipe Outside Diameter (mm)	Dimensions (mm)				Standard Pack Quantity
		d1	L1	L2	D	
12863	8.0	12.3	18.0	6.5	18.9	5000
12864	10.0	14.3	20.0	6.5	19.8	5000

Type 2

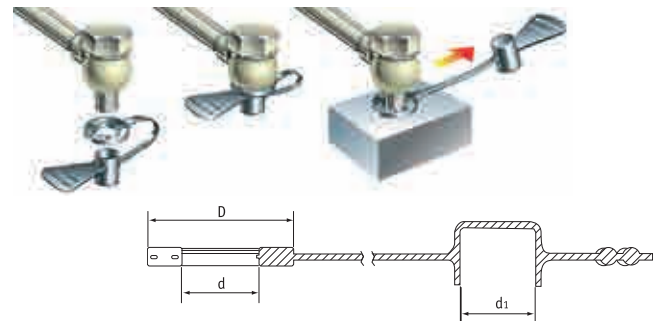
Part Number	Pipe Outside Diameter (mm)	Dimensions (mm)				Standard Pack Quantity
		d1	D	h	l	
10196	8.0	12.0	19.0	4.5	20.0	5000

Banjo Bolt Caps

SR 1083

Black LDPE

- Protection cap and retaining washer in one unit
- Secure components during assembly, storage and shipment
- Protect against damage and dirt ingress
- Easy to grip, even when wearing gloves



Part Number	For Banjo Bolt Diameter (mm)	Dimensions (mm)			Standard Pack Quantity	
		d	D	d1		
110486*	M8	8.3	16.5	7.8	50.0	5000
110487	M10	10.3	22.0	9.6	50.0	5000
110488	M12	12.3	24.0	11.6	50.0	5000
110489	M14	14.3	26.0	13.6	50.0	4000
110835	M16	16.3	28.0	15.5	50.0	4000

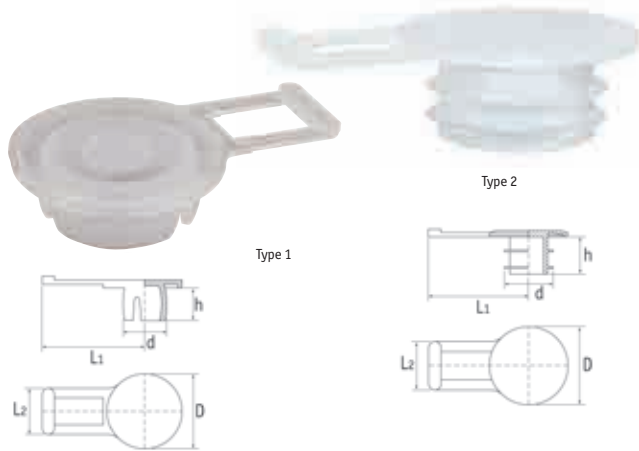
*Supplied with bridged retaining loop.

Side Release Plugs

SR 1120

Natural LDPE

- Continuous sealing lip and strong flexible side-tab on both designs
- Type 1 – rounded plug design ensures a low-abrasion fit
- Type 2 – fins provide firm fit



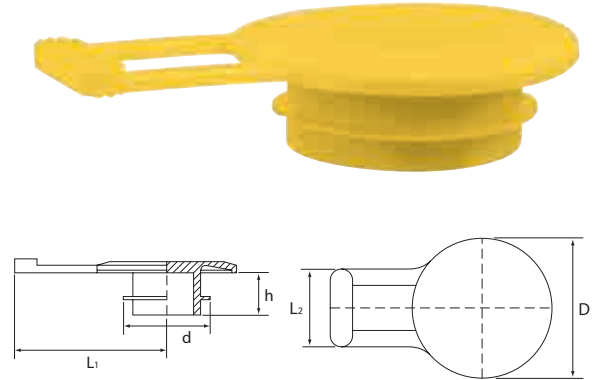
Part Number	Thread Size	Dimensions (mm)					Type	Standard Pack Quantity
		D	d	h	L1	L2		
465622	M10 x 1	16.5	9.5	8.5	26.5	12.0	1	1000
465623	M10 x 1	16.0	9.5	8.0	23.5	12.0	2	1000
465624	M12 x 1.5	19.5	11.2	8.5	26.5	12.0	1	1000
465625	M12 x 1.5	19.0	11.1	8.0	25.0	12.0	2	1000
465626	M14 x 1.5	21.5	13.4	7.0	27.0	12.0	1	500
465627	M14 x 1.5	21.0	13.1	10.0	26.0	12.0	2	500
465628	M16 x 1.5	23.5	15.2	8.0	27.0	12.0	1	500
465629	M16 x 1.5	24.0	15.1	11.0	28.5	14.0	2	500
465630	M22 x 1.5	29.5	21.7	8.0	31.0	14.0	1	500
465631	M22 x 1.5	29.0	21.5	11.5	31.0	14.0	2	500

Compression Fit Plugs

SR 1121

Yellow LDPE

- Designed to protect DKO-compression fittings
- Fin gives a firm fit into the DKO-swivel nut



Part Number	Thread Size	To fit 'DKO' fittings (nipple 24° with O-Ring)	Dimensions (mm)					Standard Pack Quantity
			D	d	h	L1	L2	
552082	M12 x 1.5	6L	16.0	11.8	7.0	18.0	12.0	1500
552083	M14 x 1.5	6S, 8L	19.0	13.8	7.0	19.5	12.0	1500
552084	M16 x 1.5	8S, 10L	21.5	15.8	7.0	23.0	14.0	1500
552085	M18 x 1.5	10S, 12L	25.0	17.8	7.0	25.0	14.0	1500
552086	M20 x 1.5	12S	27.0	19.8	7.5	26.0	14.0	1500
552087	M22 x 1.5	14S, 15L	29.0	21.8	7.5	31.0	14.0	1500
552088	M24 x 1.5	16S	30.0	23.8	7.5	31.0	14.0	1000
552089	M26 x 1.5	18L	32.0	25.8	8.0	31.0	14.0	1000
552090	M30 x 2	20S, 22L	34.5	29.2	10.0	31.3	14.8	1000
552091	M36 x 2	25S, 28L	39.7	35.5	10.0	34.2	14.0	1000
552092	M42 x 2	30S	49.1	41.2	10.0	39.5	14.8	750
552093	M45 x 2	35L	49.2	44.2	10.0	39.6	14.8	750
552094	M52 x 2	38S, 42L	59.0	51.5	10.0	44.5	14.8	750

Pull-Tab Hose Plug

SR 6111

Yellow EVA (Ethylene Vinyl Acetate)

- Material provides good tensile strength, toughness and increased flexibility
- Large pull-tab allows easy removal
- Ideal for plugging hydraulic hoses
- Ribs provide comfortable fit, without stretching hose

Part Number	Dimensions (mm)				Standard Pack Quantity
	d1	d2	D	H	
464901	5.3	5.1	11.0	11.0	500
464902	10.4	10.2	18.0	11.0	500
464903	15.4	15.2	21.5	11.0	500
464904	19.4	19.2	28.5	11.0	500

