

## CABLE TIES AND CLIPS

- Quality industry-accredited solutions developed over 65 years
- Manage complex cabling with easy-to-install options suited to everyday and challenging environments
- Reduce high costs on installation repair jobs with our easy to use ties and clips



**OVER  
65 YEARS  
OF EXPERTISE**



211



221



230



238



239



242



247



251



255



256



273



277



282



291



293

MORE THAN  
**2,300**  
CABLE TIES  
AND CLIPS  
PRODUCTS  
AVAILABLE

# CABLE TIES AND CLIPS



CABLE TIES

208



CABLE MOUNTS

230



TWIST TIES & CABLE CLIPS

239



WIRE SADDLES

256



STAND OFF CLIPS

272



SCREW, ADHESIVE &  
FLAT CABLE MOUNTS

276

# CABLE TIES

- Essentra Components offers tough, high quality cable ties suitable for a wide range of electrical applications
- Essentra Components stocks a wide range of materials, sizes and colours for almost every application
- Don't forget to stock up on our extensive range of wiring accessories for all of your cable management solutions
- All in stock for same day dispatch



## CABLE TIE STORAGE GUIDE

- Essentra Components' cable ties are manufactured from high quality Nylon
- Nylon is a hygroscopic material. This means that the material absorbs and loses moisture. For optimum performance, it is important that moisture content in the material remains at a level of 2.5%
- Essentra Components' packaging ensures that the water content in the material remains consistent. It is important to store the cable ties in the original packaging supplied to preserve the quality of the ties. Improper storage, especially in dry or cold conditions, can result in a moisture loss, which may affect cable tie performance. Once the bag is opened, the cable ties should be used as quickly as possible

## HERE ARE OUR TOP TIPS FOR OPTIMUM CABLE TIE STORAGE



DO NOT EXPOSE OR STORE THE CABLE TIES TO DIRECT SUNLIGHT



DO NOT EXPOSE OR STORE THE CABLE TIES CLOSE TO DIRECT SOURCES OF EXTREME HEAT



THE IDEAL CLIMATE FOR THE STORAGE OF CABLE TIES IS CENTRAL EUROPEAN CLIMATE

## Standard Cable Ties

SR 1785

Nylon 6.6

- Lock to prevent accidental removal
- Flammability rating: UL94 V2



Part Number		Maximum Cable Bundle Diameter (mm)	Dimensions (mm)		Tensile lbs/kg	Standard Pack Quantity
Natural	Black		Length	Width		
460175	460206	15.0	75.0	2.4	18/8	100
460176	460207	21.0	96.0	2.5	18/8	100
460177	460208	25.0	100.0	2.5	18/8	100
460178	460209	30.0	120.0	2.5	18/8	100
460179	460210	35.0	142.0	2.5	18/8	100
460180	460211	44.0	165.0	2.5	18/8	100
460181	460212	55.0	203.0	2.5	18/8	100
460182	460213	30.0	120.0	3.2	40/18	100
460183	460214	35.0	142.0	3.2	40/18	100
460185	460216	55.0	203.0	3.2	40/18	100
460184	460215	39.0	150.0	3.6	40/18	100
460194	460225	49.0	180.0	3.6	50/22	100
460186	460217	55.0	203.0	3.6	40/18	100
460187	460218	74.0	250.0	3.6	40/18	100
460188	460219	78.0	265.0	3.6	40/18	100
460189	460220	85.0	292.0	3.6	40/18	100
460190	460221	96.0	331.0	3.6	40/18	100
460191	460222	102.0	368.0	3.6	40/18	100
460192	460223	30.0	120.0	4.8	50/22	100
460193	460224	42.0	160.0	4.8	50/22	100
460195	460226	52.0	190.0	4.8	50/22	100
460196	460227	55.0	203.0	4.6	50/22	100
460197	460228	74.0	250.0	4.8	50/22	100
460198	460229	81.0	280.0	4.8	50/22	100

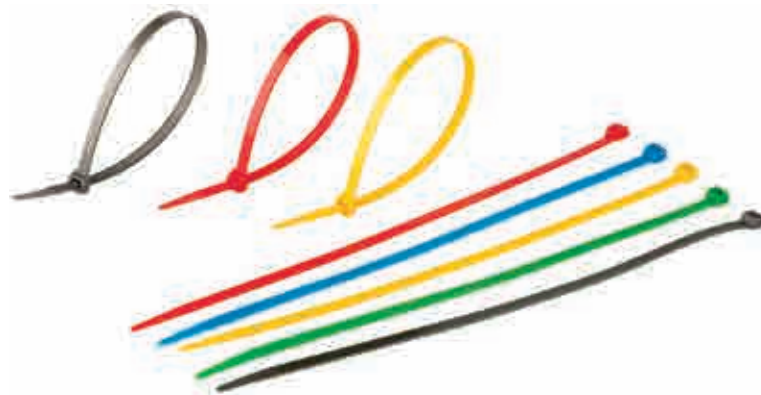
Part Number		Maximum Cable Bundle Diameter (mm)	Dimensions (mm)		Tensile lbs/kg	Standard Pack Quantity
Natural	Black		Length	Width		
460199	460230	85.0	300.0	4.8	50/22	100
460200	460231	89.0	310.0	4.8	50/22	100
460201	460232	102.0	368.0	4.8	50/22	100
460202	460233	116.0	385.0	4.8	50/22	100
460203	460234	125.0	432.0	4.8	50/22	100
460204	460235	130.0	450.0	4.8	50/22	100
460205	460236	150.0	500.0	4.8	50/22	100
461165	461182	39.0	150.0	7.6	120/55	100
461166	461183	55.0	203.0	7.6	120/55	100
461167	461184	66.0	240.0	7.6	120/55	100
461168	461185	78.0	280.0	7.6	120/55	100
461169	461186	88.0	300.0	7.6	120/55	100
461170	461187	99.0	340.0	7.6	120/55	100
461171	461188	110.0	380.0	7.6	120/55	100
461172	461189	133.0	450.0	8.0	175/80	100
461173	461190	166.0	550.0	8.0	175/80	100
461174	461191	185.0	610.0	9.0	175/80	100
461175	461192	210.0	685.0	9.0	175/80	100
461176	461193	220.0	710.0	9.0	175/80	100
461177	461194	236.0	762.0	9.0	175/80	100
461178	461195	246.0	812.0	9.0	175/80	100
461179	461196	270.0	914.0	9.0	175/80	100
461180	461197	360.0	1168.0	9.0	175/80	100
461181	461198	380.0	1219.0	9.0	175/80	100

## Coloured Cable Ties

SR 1762

Nylon 6.6

- Lock to prevent accidental removal
- Flammability rating: UL94 V2
- Easier Cable Management
- Provide Colour Coding system
- Provide Colour matching



Part Number					Maximum Cable Bundle Diameter (mm)	Dimensions (mm)		Standard Pack Quantity
Natural	Blue	Green	Yellow	Silver		Length	Width	
460177-R	460177-B	460177-G	460177-Y	460177-S	25.0	100.0	2.5	100
460181-R	460181-B	460181-G	460181-Y	460181-S	55.0	203.0	2.5	100
460184-R	460184-B	460184-G	460184-Y	460184-S	39.0	150.0	3.6	100
460187-R	460187-B	460187-G	460187-Y	460187-S	74.0	250.0	3.6	100
460227-R	460227-B	460227-G	460227-Y	460227-S	55.0	203.0	4.6	100
460201-R	460201-B	460201-G	460201-Y	460201-S	102.0	368.0	4.8	100
460230-R	460230-B	460230-G	460230-Y	460230-S	85.0	300.0	4.8	100
461188-R	461188-B	461188-G	461188-Y	461188-S	110.0	380.0	7.6	100

## Cable Tie Kits

### SR 1746

#### Nylon 6.6

- Convenient cable tie kits
- Five collections of different sized cable ties and adhesive tie mounts supplied in a handy carrier bag



### 494654 – 2500 Piece Cable Tie Kit Black

Part Number	Max. Cable Bundle Diameter (mm)	Dimensions (mm)		Tensile lbs/kg	Kit Quantity	Standard Pack Quantity
		Length	Width			
460208	25.0	100.0	2.5	18/8	500	100
460215	39.0	150.0	3.6	40/18	500	100
460217	55.0	203.0	3.6	40/18	500	100
460229	81.0	280.0	4.8	50/22	500	100
460233	116.0	385.0	4.8	50/22	400	100

#### Adhesive Tie Mounts\*

Part Number	Tie Width (mm)	Dimensions (mm)			Hole Diameter (mm)	Kit Quantity	Standard Pack Quantity
		W1	L	H			
494647	2.4-4.8	5.0	28 x 28	4.0	5.0	100	100

### 494655 – 2500 Piece Cable Tie Kit Natural

Part Number	Max. Cable Bundle Diameter (mm)	Dimensions (mm)		Tensile lbs/kg	Kit Quantity	Standard Pack Quantity
		Length	Width			
460177	25.0	100.0	2.5	18/8	500	100
460184	39.0	150.0	3.6	40/18	500	100
460186	55.0	205.0	3.6	40/18	500	100
460198	81.0	280.0	4.8	50/22	500	100
460202	116.0	385.0	4.8	50/22	400	100

#### Adhesive Tie Mounts\*

Part Number	Tie Width (mm)	Dimensions (mm)			Hole Diameter (mm)	Kit Quantity	Standard Pack Quantity
		W1	L	H			
460333	2.4-4.8	5.0	28 x 28	4.0	5.0	100	100

### 494656 - 1000 Piece Cable Tie Kit Black

Part Number	Max. Cable Bundle Diameter (mm)	Dimensions (mm)		Tensile lbs/kg	Kit Quantity	Standard Pack Quantity
		Length	Width			
460208	25.0	100.0	2.5	18/8	300	100
460217	55.0	203.0	3.6	40/18	300	100
460229	81.0	280.0	4.8	50/22	300	100

#### Adhesive Tie Mounts\*

Part Number	Tie Width (mm)	Dimensions (mm)			Hole Diameter (mm)	Kit Quantity	Standard Pack Quantity
		W1	L	H			
494647	2.4-4.8	5.0	28 x 28	4.0	5.0	100	100

\*Please see page 235 for drawing of adhesive tie mounts

### 494657 – 1000 Piece Cable Tie Kit Natural

Part Number	Max. Cable Bundle Diameter (mm)	Dimensions (mm)		Tensile lbs/kg	Kit Quantity	Standard Pack Quantity
		Length	Width			
460177	25.0	100.0	2.5	18/8	300	100
460186	55.0	205.0	3.6	40/18	300	100
460198	81.0	280.0	4.8	50/22	300	100

#### Adhesive Tie Mounts \*

Part Number	Tie Width (mm)	Dimensions (mm)			Hole Diameter (mm)	Kit Quantity	Standard Pack Quantity
		W1	L	H			
460333	2.4-4.8	5.0	28 x 28	4.0	5.0	100	100

### 494658 – 2500 Piece Cable Tie Kit Mixed Colours

Part Number	Maximum Cable Bundle Diameter (mm)	Dimensions (mm)		Tensile lbs/kg	Colour	Kit Qty	Standard Pack Quantity
		Length	Width				
460177	25.0	100.0	2.5	18/8	Natural	200	100
460208	25.0	100.0	2.5	18/8	Black	200	100
460177-R	25.0	100.0	2.5	18/8	Red	200	100
460177-G	25.0	100.0	2.5	18/8	Green	200	100
460177-B	25.0	100.0	2.5	18/8	Blue	200	100
460177-Y	25.0	100.0	2.5	18/8	Yellow	200	100
460196	55.0	203.0	4.6	50/22	Natural	100	100
460227	55.0	203.0	4.6	50/22	Black	100	100
460227-G	55.0	203.0	4.6	50/22	Green	100	100
460227-B	55.0	203.0	4.6	50/22	Blue	100	100
460227-R	55.0	203.0	4.6	50/22	Red	100	100
460227-Y	55.0	203.0	4.6	50/22	Yellow	100	100
460199	85.0	300.0	4.8	50/22	Natural	100	100
460230	85.0	300.0	4.8	50/22	Black	100	100
460230-R	85.0	300.0	4.8	50/22	Red	100	100
460230-B	85.0	300.0	4.8	50/22	Blue	100	100
460230-G	85.0	300.0	4.8	50/22	Green	100	100
460230-Y	85.0	300.0	4.8	50/22	Yellow	100	100

#### Adhesive Tie Mounts \*

Part Number	Tie Width (mm)	Dimensions (mm)			Hole Diameter (mm)	Kit Quantity	Standard Pack Quantity
		W1	L	H			
460333	2.4-4.8	5.0	28 x 28	4.0	5.0	100	100

## Heavy-Duty Cable Ties

### SR 1766

#### Nylon 6.6

- Benefits as standard version plus:
- Higher tensile strength for more demanding applications



Part Number		Maximum Cable Bundle Diameter (mm)	Dimensions (mm)		Tensile lbs/kg	Standard Pack Quantity
Natural	Black		Length	Width		
460237	461883	63.0	230.0	12.7	250/114	100
460238	461884	80.0	280.0	12.7	250/114	100
460239	461885	110.0	380.0	12.7	250/114	100
460240	461886	140.0	480.0	12.7	250/114	100
460241	461887	166.0	550.0	12.7	250/114	100
460242	461888	175.0	580.0	12.7	250/114	100
460243	461889	225.0	730.0	12.7	250/114	100
460244	461890	267.0	880.0	12.7	250/114	100
460245	461891	317.0	1030.0	12.7	250/114	100

## UV-Resistant Cable Ties

SR 1767

Black Nylon 6.6

Benefits as standard version plus:

- UV-resistant for outdoor use



Part Number	Maximum Cable Bundle Diameter (mm)	Dimensions (mm)		Tensile lbs/kg	Standard Pack Quantity
		Length	Width		
460246	18.0	75.0	2.4	18/8	100
460247	23.0	96.0	2.5	18/8	100
460248	25.0	100.0	2.5	18/8	100
460249	30.0	120.0	2.5	18/8	100
460250	35.0	142.0	2.5	18/8	100
460251	44.0	165.0	2.5	18/8	100
460252	55.0	203.0	2.5	18/8	100
460253	30.0	120.0	3.2	40/18	100
460254	35.0	142.0	3.2	40/18	100
460256	55.0	203.0	3.2	40/18	100
460255	39.0	150.0	3.6	40/18	100
460257	55.0	203.0	3.6	40/18	100
460258	74.0	250.0	3.6	40/18	100
460259	78.0	265.0	3.6	40/18	100
460260	85.0	292.0	3.6	40/18	100
460261	96.0	331.0	3.6	40/18	100
460262	102.0	368.0	3.6	40/18	100
460265	49.0	180.0	4.0	50/22	100
460263	30.0	120.0	4.8	50/22	100
460264	42.0	160.0	4.8	50/22	100
460266	52.0	190.0	4.8	50/22	100
460267	55.0	203.0	4.6	50/22	100
460268	74.0	250.0	4.8	50/22	100
460269	81.0	280.0	4.8	50/22	100
460270	85.0	299.0	4.8	50/22	100
460271	89.0	310.0	4.8	50/22	100
460272	102.0	368.0	4.8	50/22	100
460273	116.0	385.0	4.8	50/22	100
460274	125.0	432.0	4.8	50/22	100

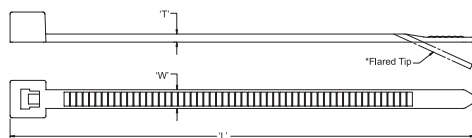
## High Temperature Cable Ties

SR 1796

WIT-HT

Natural UL94 V-2 Nylon 4/6, RMS-109

- Temperature range: -40 to 130°C



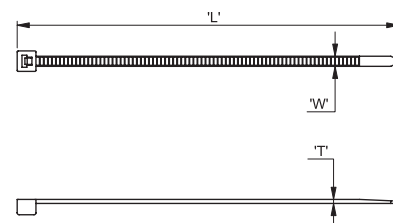
Part Number	Min. Loop Tensile Strength (Kg)	Dimensions (mm)			Max. Bundle Ø	Standard Pack Quantity
		'W'	'L'	'T'		
WIT-18R-HT-M	8	2.5	114.8	1.0	25.4	1000
WIT-50R-HT-M	18	4.8	203.2	1.3	50.8	1000

## Heat Stabilised Cable Ties

SR 1795

RG-HS

UL94 V-2 Heat Stabilised Nylon 6/6, RMS-164



Part Number		Min. Loop Tensile Strength (Kg)	Dimensions (mm)			Max. Bundle Ø Ref.	Standard Pack Quantity
Natural	Black		'W'	'L'	'T'		
RG-203-HS	RG-303-HS	8.0	2.5	98	1.0	21	100
RG-209-HS	RG-309-HS	13.0	3.6	140	1.1	35	100
RG-214-HS	RG-314-HS	13.0	3.6	200	1.3	50	100
RG-215-HS	RG-315-HS	22.4	4.8	200	1.3	50	100
RG-217-HS	RG-317-HS	22.4	4.8	290	1.4	79	100
RG-227-HS	RG-327-HS	55.0	7.5	365	1.7	100	100

QUESTIONS?  
WE ARE HERE  
TO HELP...

CALL  
0845 758  
5070

Visit us online for more information. Our Customer Service advisors can also help you find the right product for your application.

[www.essentracomponents.co.uk](http://www.essentracomponents.co.uk)



# CABLE TIES

## Cable Tie Guns

SR 1785



Type 1 Light Duty



Type 2 Heavy Duty

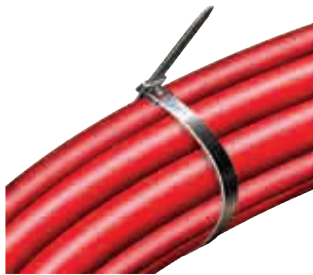
Part Number	Type	Fits Cable Ties (mm)	Standard Pack Quantity
497656	1	2.5-5.0	1
497659	2	2.5-10.0	1

## Releasable Ties

SR 1768

Natural and Black Nylon 6.6

- Benefits as standard version plus:
- Ties remain locked until intentionally released
- Ideal in a variety of applications where temporary fastening or servicing is required
- Type 2 features a push button for easy release



### Type 1

Part Number		Maximum Cable Bundle Diameter (mm)	Dimensions (mm)		Tensile lbs/kg	Standard Pack Quantity
Natural	Black		Length	Width		
461253	461272	25.0	100.0	3.6	40/18	100
461254	461273	39.0	150.0	4.7	50/22	100
461255	461274	55.0	200.0	4.7	50/22	100
461256	461275	74.0	250.0	4.8	50/22	100
461257	461276	88.0	300.0	4.8	50/22	100
461258	461277	102.0	370.0	4.8	50/22	100

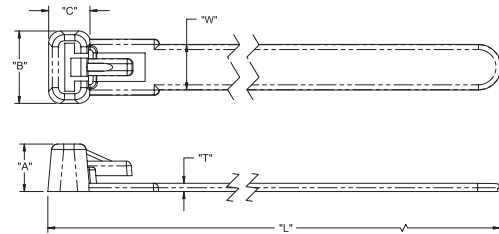
### Type 2

Part Number		Maximum Cable Bundle Diameter (mm)	Dimensions (mm)		Tensile lbs/kg	Standard Pack Quantity
Natural	Black		Length	Width		
461267	461248	30.0	125.0	7.6	50/22	100
461268	461249	35.0	150.0	7.6	50/22	100
461269	461250	50.0	200.0	8.0	50/22	100
461270	461251	65.0	250.0	7.6	50/22	100
461271	461252	80.0	300.0	8.0	50/22	100

## Release Tab Wrap-It Tie

SR 1797

WIT-RT



Part Number		Minimum Loop Tensile Strength (kg)	Dimensions (mm)					Standard Pack Quantity		
Natural UL94 V-2 Nylon 6/6. RMS-01	Black UL94 V-2 UV Stabilised Nylon 6/6. RMS-46		'W'	'L'	'T'	Bundle Ø Range	'A'		'B'	'C'
WIT-RT-1-M	WIT-RT-1-UVB-M	13	7.6	206	1.3	6.4 - 48	7.8	11.9	6.8	1000

## Double-loop Cable Ties

SR 1798

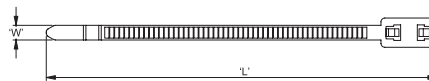
WIT-DH

UL94 V-2 Nylon 6.6, RMS-01

- Double head allows the tail to pass through twice creating two loops
- Ideal for attaching bundles to a unit or two bundles together



Part Number		Minimum Loop Tensile Strength (Kg)	Dimensions (mm)				Standard Pack Quantity
Natural	Black		'W'	'L'	'A' Max. Bundle Ø	'B' Max. Bundle Ø	
WIT-DH-1	WIT-DH-1BK	22.2	4.8	200	47	45	100
WIT-DH-2	WIT-DH-2BK	22.2	4.8	300	72	70	100
WIT-DH-3	WIT-DH-3BK	22.2	4.8	372	100	97	100



## Double-Locking Cable Ties

SR 6105

Black Nylon 6.6

- Double-locking head design creates more secure fastening
- Tensile strength of cable tie loop greater than that of a standard cable tie

Part Number	Maximum Cable Bundle Diameter (mm)	Dimensions (mm)		Tensile lbs/kg	Standard Pack Quantity
		Length	Width		
490000	30.0	132.0	9.0	77/35	100
490001	45.0	180.0	9.0	77/35	100
490002	55.0	235.0	9.0	121/55	100
490003	78.0	265.0	9.0	121/55	100
490004	88.0	300.0	9.0	121/55	100
490005	100.0	360.0	9.0	121/55	100
490006	160.0	510.0	9.0	121/55	100
490007	180.0	610.0	9.0	121/55	100
490008	230.0	760.0	9.0	121/55	100



## Coated Steel Ladder Ties

SR 1779

316 Stainless Steel with black

Polyester coating

- Operating temperature range: -80°C to 150°C
- Ladder construction reduces possibility of slippage
- Polyester coating provides extra cable protection and corrosion resistance in extreme environments
- Typical usages include: mass transit, ship building, oil rigs, hazardous areas, mining, petrochemicals and rail industries



Part Number	Maximum Cable Bundle Diameter (mm)	Dimensions (mm)		Tensile lbs/kg	Standard Pack Quantity
		Length	Width		
495175	40	150	7	100/45	100
495176	65	225	7	100/45	100
495177	90	300	7	100/45	100
495178	110	450	7	100/45	100
495179	145	610	7	100/45	100
495180	40	150	12	244/111	100
495181	65	225	12	244/111	100
495182	90	300	12	244/111	100
495184	145	610	12	244/111	100

## Coated Stainless Steel Cable Ties

SR1774

316 Stainless Steel

- Operating temperature range: -80°C to 150°C
- Ball Lock Steel Ties are self locking, fast and easy to install
- Nylon coating provides extra cable protection and corrosion resistance in extreme environments
- Typical usages include: mass transit, ship building, oil rigs, hazardous areas, mining, petrochemicals and rail industries



Part Number	Maximum Cable Bundle Diameter (mm)	Dimensions (mm)		Tensile lbs/kg	Standard Pack Quantity
		Length	Width		
495155	30	150	4.6	132/60	100
495156	50	200	4.6	132/60	100
495157	100	360	4.6	132/60	100
495158	150	520	4.6	132/60	100
495160	50	200	7.9	375/170	100
495161	100	360	7.9	375/170	100
495162	150	520	7.9	375/170	100
495164	250	840	7.9	375/170	100



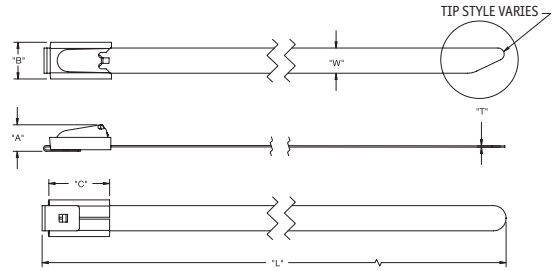
## Stainless Steel Cable Tie Installation Tool

SR 1799  
MTG-1



## Stainless Steel Cable Ties

MT



Part Number	Minimum Loop Tensile Strength (Kg)	Dimensions (mm)							Material	Standard Pack Quantity
		"W"	"L" Length Approx.	"T"	Maximum Bundle Ø	"A"	"B"	"C"		
MT-1	45	4.6	127	0.25	25	4.3	6.4	11.4	304 Stainless Steel. RMS-381	100
MT-2	45	4.6	201	0.25	51	4.3	6.4	11.4	304 Stainless Steel. RMS-381	100
MT-3	45	4.6	259	0.25	70	4.3	6.4	11.4	304 Stainless Steel. RMS-381	100
MT-4	45	4.6	362	0.25	102	4.3	6.4	11.4	304 Stainless Steel. RMS-381	100
MT-5	45	4.6	521	0.25	152	4.3	6.4	11.4	304 Stainless Steel. RMS-381	100
MT-6	45	4.6	679	0.25	203	4.3	6.4	11.4	304 Stainless Steel. RMS-381	100
MT-7	45	4.6	838	0.25	254	4.3	6.4	11.4	304 Stainless Steel. RMS-381	100
MT-8	45	4.6	998	0.25	304	4.3	6.4	11.4	304 Stainless Steel. RMS-381	50
MT-9	45	4.6	1250	0.25	380	4.3	6.4	11.4	304 Stainless Steel. RMS-381	50
MT-10	113	7.9	201	0.25	51	5.6	10.2	13.8	304 Stainless Steel. RMS-381	100
MT-11	113	7.9	362	0.25	102	5.6	10.2	13.8	304 Stainless Steel. RMS-381	100
MT-12	113	7.9	521	0.25	152	5.6	10.2	13.8	304 Stainless Steel. RMS-381	100
MT-13	113	7.9	679	0.25	203	5.6	10.2	13.8	304 Stainless Steel. RMS-381	100
MT-14	113	7.9	838	0.25	254	5.6	10.2	13.8	304 Stainless Steel. RMS-381	50
MT-15	113	7.9	998	0.25	304	5.6	10.2	13.8	304 Stainless Steel. RMS-381	50
MT-16	45	4.6	127	0.25	25	4.3	6.4	11.4	316 Stainless Steel. RMS-382	100
MT-17	45	4.6	201	0.25	51	4.3	6.4	11.4	316 Stainless Steel. RMS-382	100
MT-18	45	4.6	259	0.25	70	4.3	6.4	11.4	316 Stainless Steel. RMS-382	100
MT-19	45	4.6	362	0.25	102	4.3	6.4	11.4	316 Stainless Steel. RMS-382	100
MT-22	45	4.6	838	0.25	254	4.3	6.4	11.4	316 Stainless Steel. RMS-382	100
MT-23	45	4.6	998	0.25	304	4.3	6.4	11.4	316 Stainless Steel. RMS-382	50
MT-26	113	7.9	362	0.25	102	5.6	10.2	13.8	316 Stainless Steel. RMS-382	100
MT-27	113	7.9	521	0.25	152	5.6	10.2	13.8	316 Stainless Steel. RMS-382	100
MT-30	113	7.9	998	0.25	304	5.6	10.2	13.8	316 Stainless Steel. RMS-382	50

## Stainless Steel Ladder Ties

SR 1779

316 Stainless Steel

- Operating temperature range: -80°C to 538°C
- Ladder construction reduces possibility of slippage
- Typical usages include: mass transit, ship building, oil rigs, hazardous areas, mining, petrochemicals and rail industries



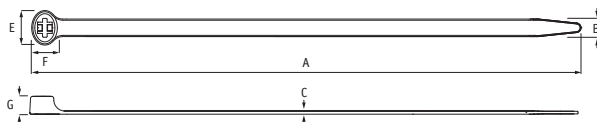
Part Number	Dimensions (mm)			Tensile lbs/kg	Standard Pack Quantity
	Length	Width	Maximum Cable Bundle Diameter		
495165	150	7	40	100/45	100
495166	225	7	65	100/45	100
495167	300	7	90	100/45	100
495168	450	7	110	100/45	100
495169	610	7	145	100/45	100
495170	150	12	40	244/111	100
495171	225	12	65	244/111	100
495172	300	12	90	244/111	100
495173	450	12	110	244/111	100
495174	610	12	145	244/111	100

## Elematic 2-Lock™ Cable Ties

SR 1800

**Polyamide 6.6 natural with 316 Stainless Steel teeth**  
 (+1% carbon black for black version)

- Double Steel Jaw locking mechanism
- Operating temperature range -40°C to 85°C
- Flamability rating UL94 V2
- Installation temperature range -40°C to 60°C



Part Number		Dimensions (mm)						Maximum Bundle Diameter	Tensile strength (N)	Standard Pack Quantity
Natural	Black	B	A	C	F	G				
1334541	1334542	2.5	100	1	6	4	21	180	100	
1334543	1334544	2.5	200	1	6	4	50	180	100	
1334545	1334546	3.5	140	1.15	6	4.5	34	250	100	
1334549	1334550	3.5	295	1.15	6	4.5	82	250	100	
1334551	1334552	4.5	200	1.3	7	5.7	50	360	100	
1334555	1334556	4.5	290	1.3	7	5.7	80	360	100	
1334557	1334558	4.5	365	1.3	7	5.7	102	360	100	
1334559	1334560	7.5	220	1.5	10.9	8	55	780	100	
1334561	1334562	7.5	360	1.5	10.9	8	100	780	100	

## Black Polypropylene Cable Ties

SR 1817

**Polypropylene**

- Resistant to chemicals such as hydrochloric acids, sodium chlorides and other basic salts
- Cable tie will float to the surface of most liquids
- Product moisture levels relatively unaffected by variations in moisture levels



Part Number	Dimensions (mm)			Tensile strength (N)	Standard Pack Quantity
	Length	Width	Maximum Bundle Diameter		
1293369	150	3.6	36	8	100
1293370	200	4.6	52	10	100
1293371	250	4.8	68	10	100
1293372	240	7.6	61	23	100
1293373	300	7.6	80	23	100
1293374	380	7.6	105	23	100
1293375	550	8	160	23	100



## KEEP YOUR CABLES SAFE AND SECURE

Our extensive range of cable ties makes it easy for you to protect your cables while keeping them neat. Check out our Universal Bushes with an easy-to-push-in design. It locks into place to insulate your cables while protecting them from machine vibrations.

Our Strain Relief Bushes prevent damage and accidental disconnections, while our Grommets are perfect for protecting wires and cables passing through panels.

## Metal Detectable Cable Ties

SR 1747

### Nylon 6.6 with metal particles and Polypropylene

#### Type 1 – Non releasable head

Part Number	Material	Maximum Cable Bundle Diameter (mm)	Dimensions (mm)		Minimum Tensile Strength (N)	Standard Pack Quantity
			Length	Width		
494659	Nylon	16	92	2.4	80	100
494660	Nylon	35	145	3.4	225	100
494661	Nylon	35	150	3.5	135	100
494662	Nylon	50	200	4.6	225	100
494663	Nylon	47	185	4.6	225	100
494664	Nylon	110	390	4.6	225	100
494666	Nylon	109	377	4.7	225	100
494667	Nylon	110	390	7.6	225	100

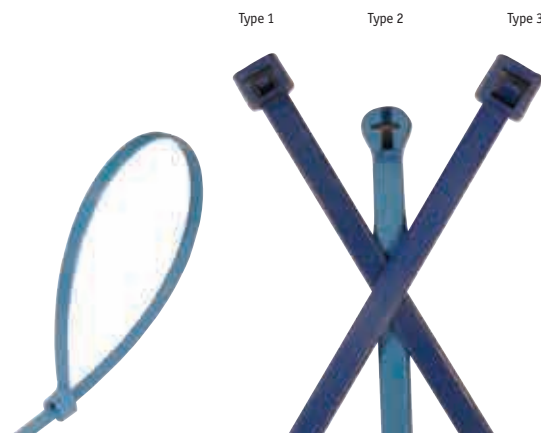
#### Type 2 – Metal tooth head

Part Number	Material	Maximum Cable Bundle Diameter (mm)	Dimensions (mm)		Minimum Tensile Strength (N)	Standard Pack Quantity
			Length	Width		
494668	Nylon	16	92	2.4	80	100
494669	Nylon	45	186	4.8	220	100
494670	Nylon	102	360	4.8	220	100
494665	Nylon	90	340	7.0	540	100
494671	Polypropylene	16	92	2.4	50	100
494672	Polypropylene	45	186	4.8	130	100
494674	Polypropylene	102	360	4.8	130	100
494673	Polypropylene	90	340	7.0	270	50

#### Type 3 – Releasable head

Part Number	Material	Maximum Cable Bundle Diameter (mm)	Dimensions (mm)		Minimum Tensile Strength (N)	Standard Pack Quantity
			Length	Width		
494675	Nylon	50	250	4.7	225	100

- For use in food and pharmaceutical industries – total metal dispersion throughout the entire body of the tie
- X-ray visible
- Blue colour assists detection
- Can be used as part of the HACCP process
- Halogen free
- Available in three different head styles
- Flammability UL94 HB rating
- Operating temperature: -40°C to +85°C (continuous)
- Detectable by metal detectors set at a minimum of 1.5mm diameter ferrus sphere



## Cable Ties with Stainless Steel Tooth

SR 1792

### Nylon 6.6 with stainless steel tooth

- For durable locking in adverse conditions such as humidity, heat, cold, vibration and shock
- The corrosion proof, non magnetic steel tooth firmly anchors inside the cable tie body for a secure lock
- Operating temperature: -40°C to 85°C
- Flammability rating UL 94 V2



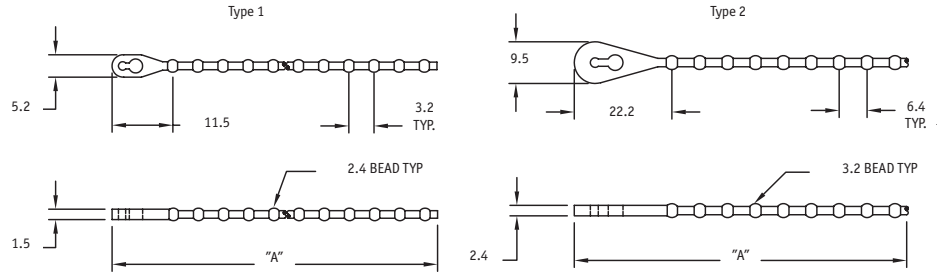
Part Number		Maximum Cable Bundle Diameter (mm)	Dimensions (mm)		Tensile lbs/kg	Standard Pack Quantity
Black	Natural		Length	Width		
495186	495185	24	100	2.5	18/8	100
495188	-	53	200	2.5	18/8	100
495190	495189	35	150	3.6	18/40	100
495192	495191	53	200	3.6	18/40	100
495194	495193	80	280	3.6	18/40	100
495196	495195	53	200	4.8	22/50	100
495198	495197	78	290	4.8	22/50	100
495200	-	102	360	4.8	22/50	100

## Beaded Tie

SR 1818

BT

- Design allows ties to be easily applied and released
- Tie design prevents slipping



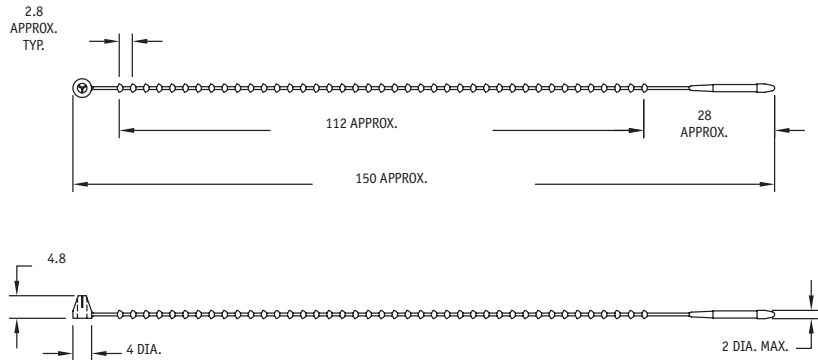
PP, RMS-10				UL94 V-2 Nylon 6/6, RMS-01		Type	Dimensions (mm)		Standard Pack Quantity
Red	Yellow	Blue	Black	Black	Natural		A	Max. Bundle Ø (requires three bead engagement)	
BT-2-10-RD	BT-2-10-YL	BT-2-10-BL	BT-2-10-BK	BT-2-01-BK	BT-2-01-NT	1	63.5	14.3	1000
BT-4-10-RD	BT-4-10-YL	BT-4-10-BL	BT-4-10-BK	BT-4-01-BK	BT-4-01-NT	1	101.6	25.4	1000
BT-5-10-RD	BT-5-10-YL	BT-5-10-BL	BT-5-10-BK	BT-5-01-BK	BT-5-01-NT	1	127.0	31.8	1000
BT-6-10-RD	BT-6-10-YL	BT-6-10-BL	BT-6-10-BK	BT-6-01-BK	BT-6-01-NT	1	152.4	44.5	1000
BT-8-10-RD	BT-8-10-YL	BT-8-10-BL	-	BT-8-01-BK	BT-8-01-NT	2	222.3	60.3	1000
BT-10-10-RD	BT-10-10-YL	BT-10-10-BL	BT-10-10-BK	BT-10-01-BK	BT-10-01-NT	2	273.1	85.7	1000
BT-12-10-RD	BT-12-10-YL	BT-12-10-BL	BT-12-10-BK	BT-12-01-BK	BT-12-01-NT	2	323.9	92.1	1000

## Locking Beaded Tie

SR 1819

LBT

Natural UL94 V-2 Nylon 6/6, RMS-01

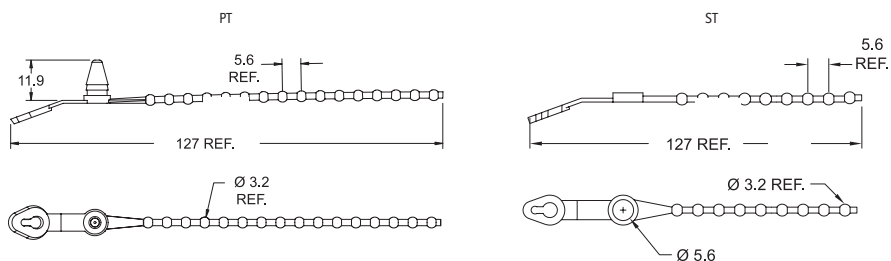


Part Number	Minimum Loop Tensile Strength (Kg)	Maximum Bundle Ø (mm)	Standard Pack Quantity
LBT-18-01	8	35.6	1000

## Beaded Wire Tie

SR 1820

PT/ST



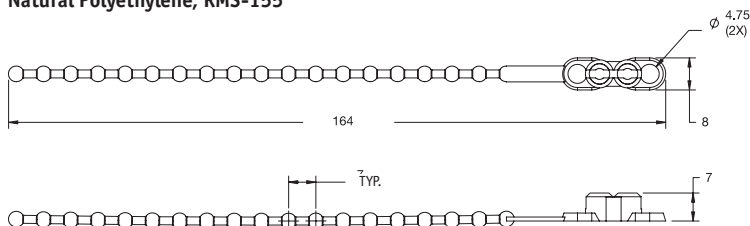
Part Number		Colour	Bundle Ø Range (mm)	Mounting Method	Panel Thickness (mm)	Standard Pack Quantity
PP, RMS-10	UL94 V-2 Nylon 6/6. RMS-01					
PT-203	PT-303	Black	6.4 - 31.8	Snap-lock in a Ø 6.4 hole	0.8 - 3.2	1000
-	PT-305	Natural	6.4 - 31.8	Snap-lock in a Ø 6.4 hole	0.8 - 3.2	1000
ST-205	ST-305	Natural	6.4 - 31.8	Ø 5.6 clearance hole for screw	-	1000

## Beaded Hanking Tie

SR 1821

HTE

Natural Polyethylene, RMS-155



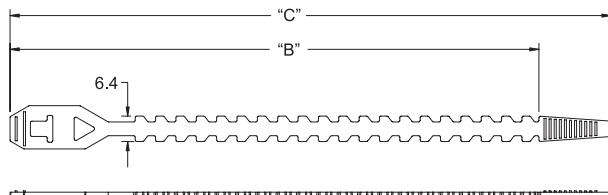
Part Number	Standard Pack Quantity
HTE-164-PE3L/1H	1000

## Hanking Tie

SR 1822

HT

Natural Polyethylene, RMS-134



Part Number	Dimensions (mm)			Standard Pack Quantity
	Maximum Bundle Ø	"B"	"C"	
HT-3.9	23	81	99	1000
HT-4.9	28	107	125	1000
HT-5.9	36	132	150	1000

# CABLE TIES

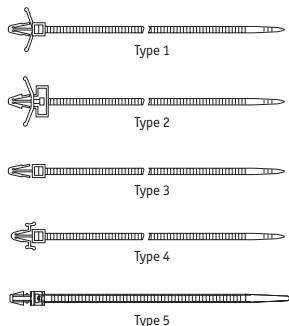
## Push Mount Ties

SR 1769

Natural and Black Nylon 6.6



- Benefits as standard version plus:
- Simple and easy to use
- Snap into holes and are then securely fixed to the panel
- Ties can be mounted to existing installations before final assembly
- Types 2 and 4 are releasable – ideal for use when maintenance repair work will be required or for temporary use
- Types 1, 3 and 5 – head profile holds tie securely in panel



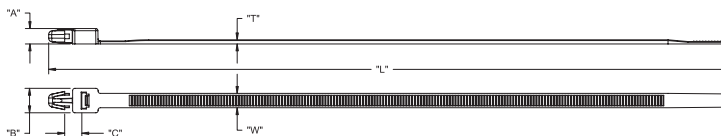
Natural	Black	Type	Dimensions (mm)			Tensile Strength lbs/kgs	Compatible Hole Diameter	Standard Pack Quantity
			Max. Cable Bundle Diameter	Length	Width			
462765	462704	1	25	112.0	2.5	18/8	4	100
462766	462705	1	30	132.0	4.8	50/22	6	100
462695	462706	1	36	157.0	3.5	40/18	4.8	100
462696	462707	1	50	201.0	4.8	50/22	6	100
461259	461278	2	37	152.5	7.9	30/13	5.4	100
462763	462702	3	30	132.0	4.8	50/22	5.4	100
462764	462703	3	50	202.0	4.8	50/22	6.4	100
462697	462708	4	30	131.0	3.7	40/18	4.8	100
462698	462709	4	38	157.5	3.7	40/18	4.8	100
462699	462710	4	50	207.0	3.7	40/18	4.8	100
461260	461279	5	40	168.0	3.8	40/18	4	100
462762	462701	5	50	203.0	4.8	50/22	6	100
462700	462761	5	50	203.0	4.8	50/22	4.8	100

## Push Mount Ties

SR 1823

WIT-50RLA

Natural UL94 V-2 Nylon 6/6, RMS-01



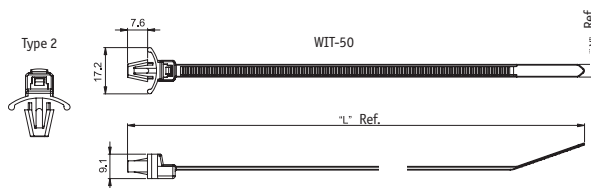
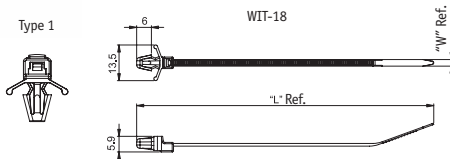
Part Number	Minimum Loop Tensile Strength (kg)	Dimensions (mm)								Standard Pack Quantity	
		'W'	'L'	'T'	Maximum Bundle Ø	'A'	'B'	'C'	Hole Ø		Panel Thickness
WIT-50RLA-2	22	4.8	170	1.3	38	6.5	8.1	6	6.35	3.2	1000
WIT-50RLA-3	22	4.8	200	1.3	44	6.5	8.1	6	6.35	3.2	1000

## Push Mount Ties

SR 1824

WIT-RA/WIT-SA

Natural UL94 V-2 Nylon 6/6, RMS-01



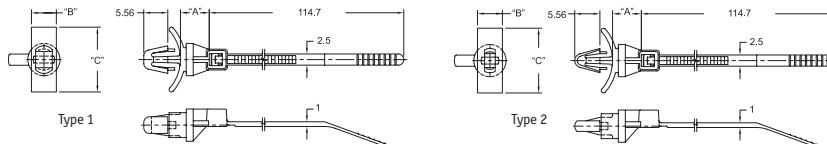
Part Number	Type	Minimum Loop Tensile Strength (kg)	Dimensions (mm)					Standard Pack Quantity
			'W'	'L'	Max. Bundle Ø	Hole Ø	Panel Thickness	
WIT-18RA-01	1	8	2.5	109	21	4.8	1.6	1000
WIT-50SA-01	1	22	4.8	133	23	6.4	1.6	1000
WIT-50SRA-01	1	22	4.8	173	36	6.4	1.6	1000
WIT-50RA-01	1	22	4.8	198	43	6.4	1.6	500
WIT-50SA-1-01	2	22	4.8	133	23	6.4-6.8	0.8-2	1000
WIT-50SRA-1-01	2	22	4.8	173	36	6.4-6.8	0.8-2	1000
WIT-50SRA-2-01	2	22	4.8	173	36	6.4-6.8	0.8-2.5	1000
WIT-50RA-1-01	2	22	4.8	198	43	6.4-6.8	0.8-2	500

## Push Mount Ties

SR 1825

WIT-18RA

Natural UL94 V-2 Nylon 6/6, RMS-01



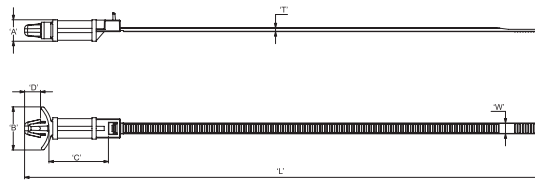
Part Number	Minimum Loop Tensile Strength (Kg)	Maximum Bundle Ø	Type	Dimensions (mm)					Standard Pack Quantity
				"A"	"B"	"C"	Hole Ø ± 0.08	Panel Thickness	
WIT-18RA-4-01-M	8	19.1	1	6.4	5.56	14.29	4.75	0.8 - 2.0	1000
WIT-18R1A-4-01	8	19.1	2	6.4	5.56	14.29	4.00	0.8 - 2.0	1000
WIT-18R2A-4-01	8	19.1	1	6.4	2.79	13.90	4.75	1.6 - 3.6	1000

## Push Mount Ties

SR 1826

WIT-30RRA

Natural UL94 V-2 Nylon 6/6, RMS-01

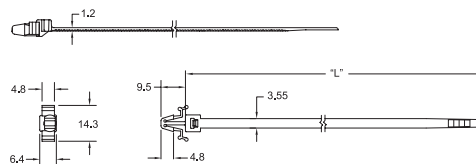


Part Number	Minimum Loop Tensile Strength (kg)	Dimensions (mm)									Standard Pack Quantity	
		'W'	'L'	'T'	Maximum Bundle Ø	'A'	'B'	'C'	'D'	Hole Ø ± 0.08		Panel Thickness
WIT-30RRA-4-M	13	3.6	160.3	1.3	31.8	7.1	14.3	7.1	5.3	4.80	0.8 - 2	1000
WIT-30RRA-8-M	13	3.6	166.7	1.3	31.8	7.1	14.3	13.5	5.3	4.80	0.8 - 2	1000
WIT-30RRA-12-M	13	3.6	173.0	1.3	31.8	7.1	14.3	19.8	5.3	4.80	0.8 - 2	1000
WIT-30RRA-16-M	13	3.6	179.4	1.3	31.8	7.1	14.3	25.4	5.3	4.80	0.8 - 2	1000
WIT-30RRAA-4-M	13	3.6	161.6	1.3	31.8	7.9	14.3	7.1	6.6	6.35	0.8 - 2	1000
WIT-30RRAA-8-M	13	3.6	168.0	1.3	31.8	7.9	14.3	13.5	6.6	6.35	0.8 - 2	1000
WIT-30RRAA-12-M	13	3.6	174.3	1.3	31.8	7.9	14.3	19.8	6.6	6.35	0.8 - 2	1000
WIT-30RRAA-16-M	13	3.6	180.7	1.3	31.8	7.9	14.3	25.4	6.6	6.35	0.8 - 2	1000

## Releasable Push Mount Ties

SR 1827, WIT-30RAR/WIT-30LAR

Natural UL94 V-2 Nylon 6/6, RMS-01

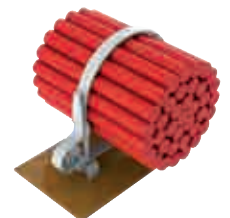
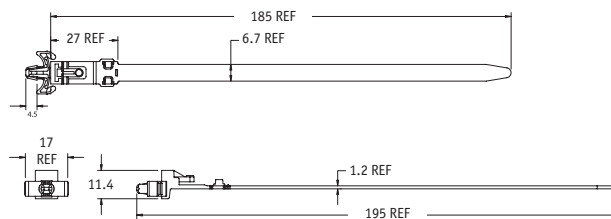


Part Number	Minimum Loop Tensile Strength (kg)	Dimensions (mm)				Standard Pack Quantity
		"L" Ref.	Max. Bundle Ø	Hole Ø ± 0.08	Panel Thickness	
WIT-30RAR1-2	13	120.7	25.4	4.8	2 - 2.4	1000
WIT-30LAR1-2	13	146	31.8	4.8	2 - 2.4	1000

## Releasable Push Mount Ties

SR 1828, WIT-40LAR

Natural UL94 V-2 Nylon 6/6, RMS-01



Part Number	Minimum Loop Tensile Strength (Kg)	Dimensions (mm)			Standard Pack Quantity
		Max Bundle Ø	Hole Ø	Panel Thickness	
WIT-40LAR	18	50	4.8 ± .08	0.5-2.3	1000



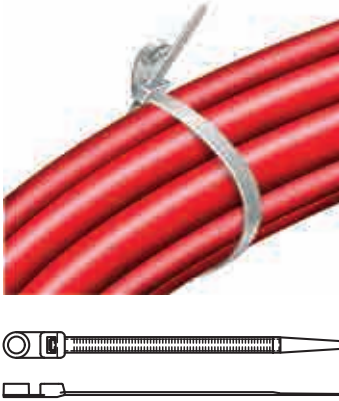
# CABLE TIES

## Screw Mount Ties

SR 1772

Natural and Black Nylon 6.6

- Benefits as standard version plus:
- Moulded fixing head
- Ideal for fixing to either metal or wooden panels
- Tie can be screwed or bolted down
- Can be fitted to existing installations before final assembly



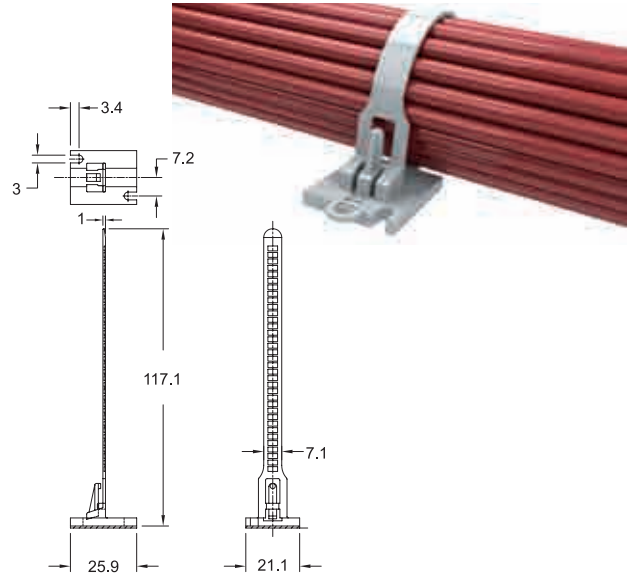
Part Number		Max. Cable Bundle Diameter (mm)	Dimensions (mm)		Tensile lbs/kg	Standard Pack Quantity
Black	Natural		Length	Width		
461261	461242	25.0	100.0	2.5	18/8	100
461262	461243	40.0	171.5	3.7	40/18	100
461263	461244	60.0	205.0	4.2	50/22	100
461264	461245	85.0	300.0	4.8	50/22	100
461265	461246	102.0	370.0	4.8	50/22	100
461266	461247	122.0	398.0	7.9	120/55	100

## Adhesive/Screw Mount Tie

SR 1829

TOBS

Natural UL94 V-2 Nylon 6/6, RMS-01



Part Number	Max. Bundle Ø (mm)	Mounting Screw	Standard Pack Quantity
TOBS-18-01A-RT	28.5	M2.5	1000

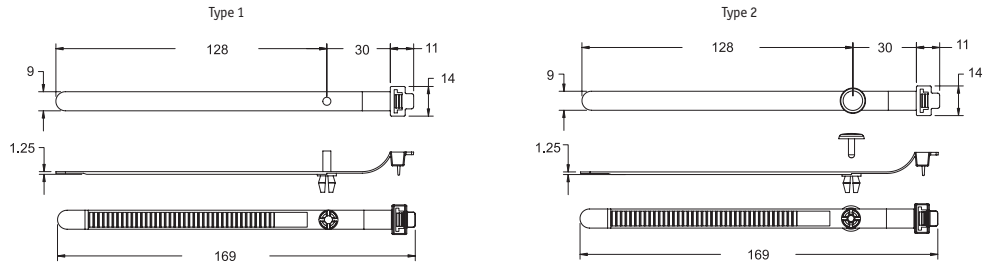
0.8 Thick Acrylic Adhesive Tape. RMS-15

## Rivet Mount Cable Tie

SR 1830

SRRCT

Grey UL94 V-2 Nylon 6/6, RMS-01

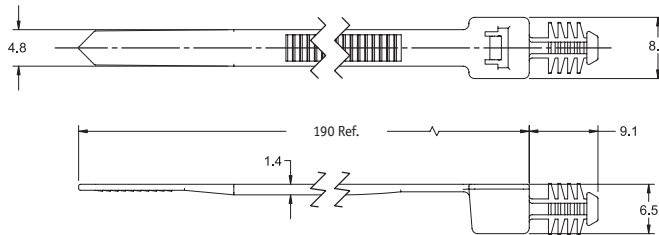


Part Number	Type	Maximum Loop Tensile Strength (N)	Dimensions (mm)			Rivet Pin Material	Standard Pack Quantity
			Maximum Bundle Ø	Hole Ø	Panel Thickness		
SRRCT-1	1	250	40	7	2.5	RMS-01	200
SRRCT-2	2	250	40	7	2.5	RMS-52	200

### Blind Hole Mount Cable Ties

SR 1831

WITBH

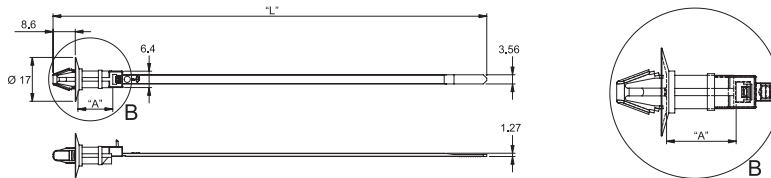


Part Number		Maximum Loop Tensile Strength (Kg)	Dimensions (mm)			Standard Pack Quantity
Natural UL94 V-2 Nylon 6/6. RMS-01l	Black UL94 V-2 Heat Stabilised Nylon 6/6. RMS-47		Maximum Bundle Ø	Hole Ø	Minimum Panel Thickness	
WITBH-50R	WITBH-50R-HS	22	44.5	6.35	6.35	1000

### Cupped Cable Ties

SR 1832

WIT-30RCA



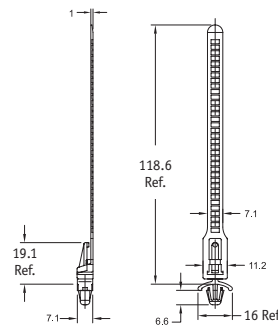
Part Number				Minimum Loop Tensile Strength (kg)	Dimensions (mm)					Standard Pack Quantity
Natural UL94 V-2 Nylon 6/6. RMS-01	Black UL94 V-2 UV Stabilised Nylon 6/6. RMS-46	Black UL94 V-2 Heat Stabilised Nylon 6/6. RMS-47	Natural UL94 V-0 Nylon 6/6. RMS-19		"L"	Bundle Ø	"A"	Hole Ø	Panel Thickness	
WIT-30RCA-4-M	WIT-30RCA-4UVB	WIT-30RCA-4-HS	WIT-30RCA-4-V-M	13	160.7	31.8	7.1	6-6.5	0.6 - 2.5	1000
WIT-30RCA-8-M	WIT-30RCA-8UVB	WIT-30RCA8-HS-M	WIT-30RCA-8-V-M	13	168.3	31.8	13.5	6-6.5	0.6 - 2.5	1000
WIT-30RCA-12-M	-	WIT-30RCA12-HSM	WIT-30RCA-12-VM	13	174.6	31.8	19.8	6-6.5	0.6 - 2.5	1000
WIT-30RCA-16-M	-	WIT-30RCA16-HSM	WIT-30RCA-16-VM	13	180.2	31.8	25.4	6-6.5	0.6 - 2.5	1000

### Tie On Push Mount Cable Ties

SR 1833

TOAH

Natural UL94 V-2 Nylon 6/6, RMS-01



Part Number	Dimensions (mm)			Standard Pack Quantity
	Max. Bundle Ø	Hole Ø	Panel Thickness	
TOAH-18-01	28.5	6.35	1.6	1000

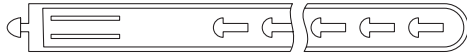
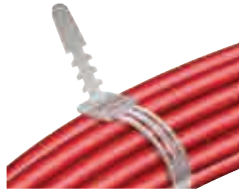
# CABLE TIES

## Belt Ties

SR 1776

PE

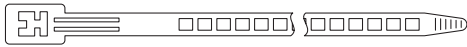
- For simple bundling of electrical wires
- Flexible design
- Quick release



Type 1



Type 2



Type 3

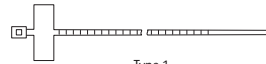
Part Number		Type	Maximum Cable Bundle Diameter (mm)	Dimensions (mm)		Tensile lbs/kg	Standard Pack Quantity
Black	Natural			Length	Width		
-	462689	1	35.0	130.0	15.0	30/14	100
462693	462690	2	45.0	160.0	9.0	18/8	100
462694	462691	3	38.0	140.0	9.0	18/8	100

## Marker Ties

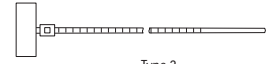
SR 1777

Natural Nylon 6.6

- Benefits as standard version plus:
- Identification tag can be written on
- Printing available on request (minimum order quantities apply)



Type 1



Type 2



Type 3



Type 4

Part Number	Type	Maximum Cable Bundle Diameter (mm)	Dimensions (mm)		Tag Size (mm)	Tensile lbs/kg	Standard Pack Quantity
			Length	Width			
462671	1	25.0	100.0	2.5	25 x 8	18/8	100
462672	1	50.0	200.0	2.5	30 x 15	18/8	100
462673	2	25.0	110.0	2.5	25 x 8	18/8	100
462674	3	50.0	200.0	4.6	28 x 13	50/22	100
462675	3	75.0	270.0	4.6	28 x 13	50/22	100
462676	4	25.0	130.0	2.5	28 x 20	18/8	100

## Heavy Duty Strap and Buckle

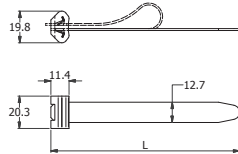
SR 1884

HDSB

Head: Black High Impact UV Stabilized Acetal

Strap: See Table

- For heavy duty applications
- Steel teeth on the buckle grip the strap permanently
- Buckle is preassembled on one end of the strap
- Nylon strap material is high strength, lightweight and more cost effective than the acetal version
- Acetal strap material has excellent weatherability, superior dimension stability and low-temperature toughness



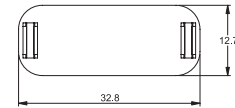
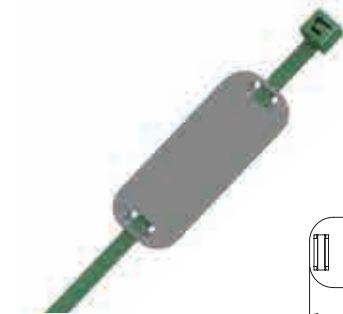
Part Number		Tensile lbs/kg	L (mm)	Maximum Cable Bundle Diameter (mm)	Standard Pack Quantity
Strap: UL94 V-2 Nylon 6/6	Strap: High Impact UV Stabilised Acetal				
HDSB1-350-R	HDSB2-350-R	350/159	381.0	101.6	50
HDSB1-350-L	HDSB2-350-L	350/159	838.2	246.4	25
HDSB1-350-XL	HDSB2-350-XL	350/159	1270.0	383.5	25

## Cable Tie Marker Tag

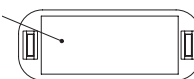
SR 1885

WIT-MK

Natural UL94 V-2 Nylon 6/6, RMS-01



MATTED SURFACE TO ACCEPT INK OR PENCIL



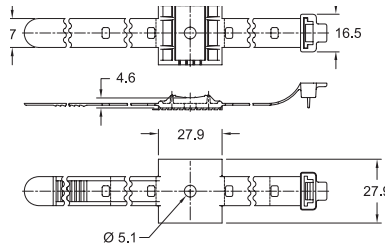
Part Number	Cable Ties Accepted	Standard Pack Quantity
WIT-MK-1	All RG cable ties up to size RG-207/307	1000

## Universal Mounting Strap

SR 1886

UMS

Natural UL94 HB Nylon 6/6, RMS-45



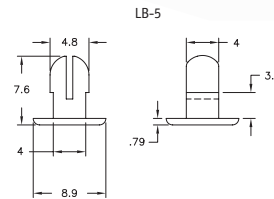
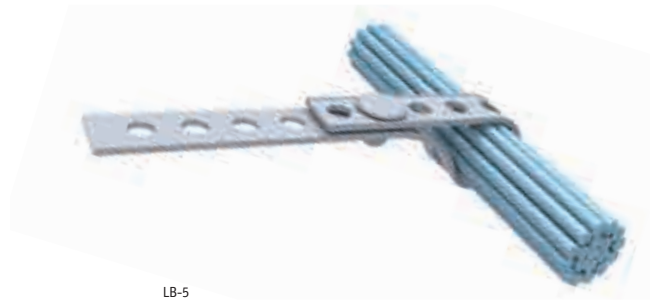
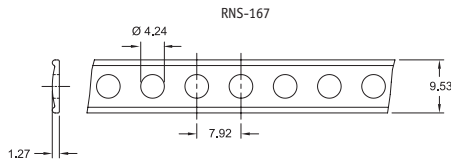
Part Number		Maximum Bundle Ø (mm)	Mounting Screw/Rivet	Standard Pack Quantity
Without Adhesive	With Acrylic Adhesive, RMS-15			
UMS-16-45	UMS-16-45A-RT	25.4	M4	100
UMS-24-45	UMS-24-45A-RT	38.1	M4	100
UMS-32-45	UMS-32-45A-RT	50.8	M4	100

For Panel Thickness (mm)	Rivet Number
Up to 0.5	SR-5045
0.5 - 1.5	SR-5055
1.5 - 2.5	SR-5065
2.5 - 3.5	SR-5075
3.5 - 4.5	SR-5085
4.5 - 5.5	SR-5095
5.5 - 6.4	SR-5105

## Nylon Strap and Locking Button

SR 1888

RNS/LB



Part Number	Material	Colour	Standard Pack Quantity
RNS-167	UL94 HB Nylon 6/6, RMS-17	Black	30m Roll
LB-5	UL94 V-2 Nylon 6/6, RMS-01	Black	100/Bag

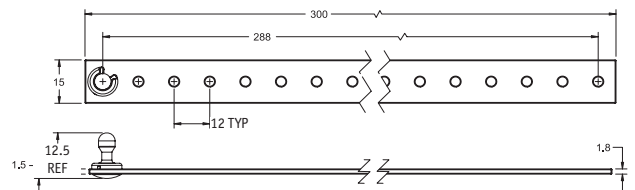
## Elastomer Strap

SR 1889

ES

Strap: Silicone Rubber, 50 Shore A, RMS-417

Latch Pin: Black UL94 HB Nylon 6/6, RMS-148



Part Number	Maximum Bundle	Standard Pack Quantity
ES-1	Ø110mm or 345mm perimeter	100

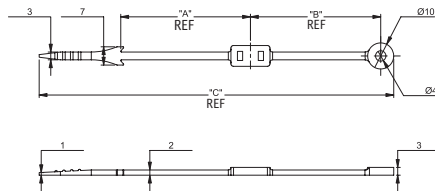
For additional Latch Pins, order part number CS-113-6

## Elastomer Lanyard

SR 2000

ELT

Black EPDM, 50 Shore A



- Elastomer linking tie designed to connect and secure two separate components
- Securing loop on one end and mounting hole on the other provide secure fix to connecting objects
- Double fixing slots on securing loop reduce risk of failure for heavy duty applications
- Accommodates a wide range of applications from cables and dust caps to enclosures and lids
- For heavy duty applications secure the loop through both fixing slots for safe mounting
- Manufactured in flexible EPDM material and can stretch up to three times its nominal length

Part Number	Dimensions (mm)			Standard Pack Quantity
	"A" Ref.	"B" Ref.	"C" Ref.	
ELT-50	50	50	136	1000
ELT-100	100	100	236	1000

**TRY** BEFORE YOU  
BUY – REQUEST  
YOUR **FREE**  
SAMPLES TODAY

Call **0845 758 5070** or visit  
[www.essentracomponents.co.uk](http://www.essentracomponents.co.uk)

## Hook & Loop Cable Tie

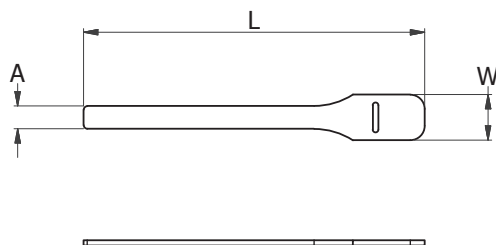
SR 2001

RKW

Loop: Nylon Knit

Hook: Low Density Polyethylene

- Easily assembled and removed
- Can be fastened and released several times



Dimensions (mm)				Screw Mount	Dimensions (mm)			Maximum Cable Bundle Diameter (mm)	Standard Pack Quantity
Black	Blue	Green	Grey		L	A	W		
RKW-6-6-BK	RKW-6-6-BL	RKW-6-6-GN	RKW-6-6-GY	No	152.4	9.5	19.1	35.6	10
RKW-8-6-BK	RKW-8-6-BL	RKW-8-6-GN	RKW-8-6-GY	No	152.4	12.7	12.7	35.6	10
RKW-8-8-BK	RKW-8-8-BL	RKW-8-8-GN	RKW-8-8-GY	Yes	203.2	12.7	12.7	48.7	10
RKW-8-9-BK	RKW-8-9-BL	RKW-8-9-GN	RKW-8-9-GY	Yes	228.6	12.7	12.7	54.4	10
RKW-8-11-BK	RKW-8-11-BL	RKW-8-11-GN	RKW-8-11-GY	No	279.4	12.7	12.7	66.5	10
RKW-8-12-BK	RKW-8-12-BL	RKW-8-12-GN	RKW-8-12-GY	Yes	304.8	12.7	12.7	72.5	10
RKW-8-13-BK	RKW-8-13-BL	RKW-8-13-GN	RKW-8-13-GY	Yes	330.2	12.7	12.7	86.3	10
RKW-12-9-BK	RKW-12-9-BL	RKW-12-9-GN	RKW-12-9-GY	Yes	228.6	19.1	38.1	54.4	10
RKW-12-13-BK	RKW-12-13-BL	RKW-12-13-GN	RKW-12-13-GY	Yes	330.2	19.1	38.1	86.3	10
RKW-12-15-BK	-	RKW-12-15-GN	RKW-12-15-GY	No	381.0	19.1	38.1	99.5	10
RKW-12-18-BK	RKW-12-18-BL	RKW-12-18-GN	RKW-12-18-GY	No	457.2	19.1	38.1	119.8	10
RKW-12-24-BK	RKW-12-24-BL	RKW-12-24-GN	RKW-12-24-GY	No	609.6	19.1	38.1	159.7	10

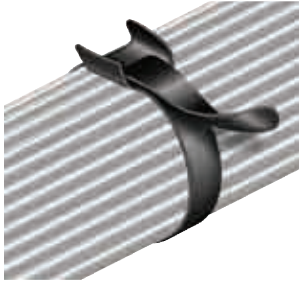
Dimensions (mm)				Screw Mount	Dimensions (mm)			Maximum Cable Bundle Diameter (mm)	Standard Pack Quantity
Orange	Red	White	Yellow		L	A	W		
RKW-6-6-OR	RKW-6-6-RD	RKW-6-6-W	RKW-6-6-YL	No	152.4	9.5	19.1	35.6	10
RKW-8-6-OR	RKW-8-6-RD	RKW-8-6-W	RKW-8-6-YL	No	152.4	12.7	12.7	35.6	10
RKW-8-8-OR	RKW-8-8-RD	RKW-8-8-W	RKW-8-8-YL	Yes	203.2	12.7	12.7	48.7	10
RKW-8-9-OR	RKW-8-9-RD	RKW-8-9-W	RKW-8-9-YL	Yes	228.6	12.7	12.7	54.4	10
RKW-8-11-OR	RKW-8-11-RD	RKW-8-11-W	RKW-8-11-YL	No	279.4	12.7	12.7	66.5	10
RKW-8-12-OR	RKW-8-12-RD	RKW-8-12-W	RKW-8-12-YL	Yes	304.8	12.7	12.7	72.5	10
RKW-8-13-OR	RKW-8-13-RD	RKW-8-13-W	RKW-8-13-YL	Yes	330.2	12.7	12.7	86.3	10
RKW-12-9-OR	RKW-12-9-RD	RKW-12-9-W	RKW-12-9-YL	Yes	228.6	19.1	38.1	54.4	10
RKW-12-13-OR	RKW-12-13-RD	RKW-12-13-W	RKW-12-13-YL	Yes	330.2	19.1	38.1	86.3	10
RKW-12-15-OR	RKW-12-15-RD	RKW-12-15-W	RKW-12-15-YL	No	381.0	19.1	38.1	99.5	10
RKW-12-18-OR	RKW-12-18-RD	RKW-12-18-W	RKW-12-18-YL	No	457.2	19.1	38.1	119.8	10
RKW-12-24-OR	RKW-12-24-RD	RKW-12-24-W	RKW-12-24-YL	No	609.6	19.1	38.1	159.7	10

# CABLE TIES

## Hook & Loop Ties

SR 1785

Black



- Will not crush the cables being tied
- Ideal for fragile cables

Part Number	Maximum Cable Bundle Diameter (mm)	Dimensions (mm)		Standard Pack Quantity
		"A" ±3.2	"W" ±3.2	
462711	30.0	125.0	12.0	20
462712	33.0	135.0	12.0	20
462713	40.0	180.0	12.0	20
462714	50.0	210.0	16.0	20
462715	85.0	310.0	16.0	20

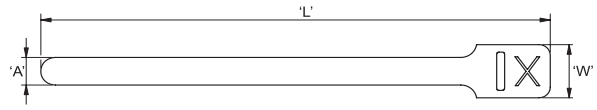
## Screw/Rivet Mount Kwik Wrap

SR 2002

RKWA

Blue UL94 V-2 Nylon Knit Loop, RMS-312

Laminated on PE/PP Hook, RMS-342



Part Number	Dimensions (mm)				Standard Pack Quantity
	"A" ±3.2	"L" ±12.7	Max. Bundle Ø	"W" ±3.2	
RKWA-9-152-BK	9	152	35	17	100
RKWA-13-225-BK	13	225	60	25	100
RKWA-13-325-BK	13	325	90	25	100

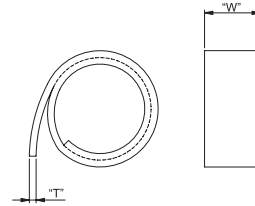
## Kwik Wrap on a Roll Hook & Loop

SR 2003

RKWRA

Black UL94 V-2 Nylon Knit Loop, RMS-312

Laminated on PE/PP Hook, RMS-342



Part Number	Dimensions (mm)		Standard Pack Quantity
	"W"	"T"	
RKWRA-09-BK	9	3	100m (4 reels x 25m)
RKWRA-16-BK	16	3	50m (2 reels x 25m)
RKWRA-20-BK	20	3	50m (2 reels x 25m)
RKWRA-25-BK	25	3	50m (2 reels x 25m)

## Kwik Wrap on Base Hook & Loop

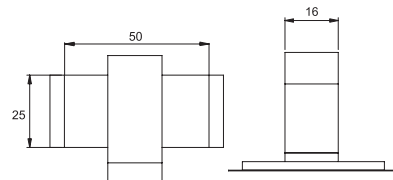
SR 2004

RKWBA

Black UL94 V-2 Nylon Knit Loop, RMS-312;

Laminated on PE/PP Hook, RMS-342

Adhesive RMS-313



Part Number	Strap Length (mm)	Max. Bundle Ø (mm)	Standard Pack Quantity
RKWBA-16-300	150	40	500

## Kwik Wrap D Style Hook & Loop

SR 2005

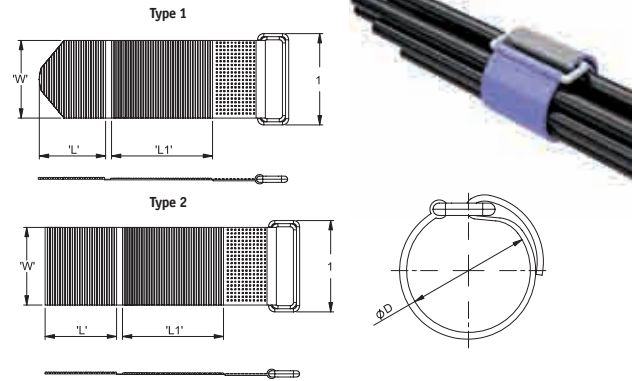
RKWDA

Buckle: Black Nylon, RMS-363

Black UL94 V-2 Nylon Knit Loop, RMS-312

Laminated on a PE/PP Hook, RMS-342

Part Number	Dimensions (mm)				Type	Standard Pack Quantity
	"W"	"L"	"L1"	"D" Bundle Ø Range		
1347341	24	90	210	45-75	1	500
1347342	28	70	230	45-75	1	500
1347343	33	90	210	65-105	2	500



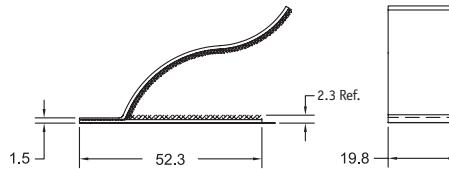
## Kwik Wrap on Adhesive Hook & Loop

SR 2006

RKWFA

Black LDPE Hook, RMS-249; Nylon Knit Loop,

RMS-251; Acrylic Adhesive, RMS-113



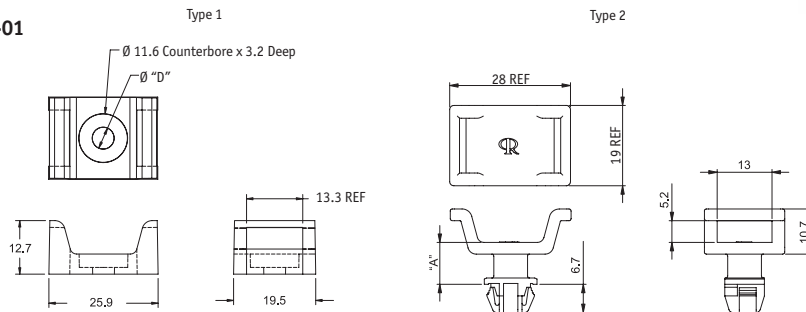
Part Number	Holding Ø (mm)	Standard Pack Quantity
RKWFA-16-300	19.05 maximum	100

## Flat Tie Holder for Kwik Wrap

SR 2007

FTH-27

UL94 V-2 Nylon 6/6, RMS-01



MOUNTING RIVETS FOR FTH-27-RS-01		
Panel Thickness (mm)	Panel Hole Ø (mm)	Rivet Number
0.9 - 1.9	5.1	SR-5055
1.9 - 2.9	5.1	SR-5065
2.9 - 3.9	5.1	SR-5075
3.9 - 4.9	5.1	SR-5085
4.9 - 5.9	5.1	SR-5095
5.9 - 6.9	5.1	SR-5105

Part Number	Type	Colour	"D"	"A"	Mounting Method	Panel Thickness	Accepts RKW ties	Standard Pack Quantity
FTH-27-RS-01	1	Natural	5.2	-	M5 Screw or Rivets (see table)	-	Up to 13mm wide	1000
FTH-27-12-01	1	Natural	5.8	-	M5 Screw	-	Up to 13mm wide	1000
FTH-27-1-01BK	2	Black	-	3	9.5 ± 0.08 Square Hole	0.8-2	Up to 13mm wide	500
FTH-27-2-01BK	2	Black	-	10	9.5 ± 0.08 Square Hole	0.8-2	Up to 13mm wide	500



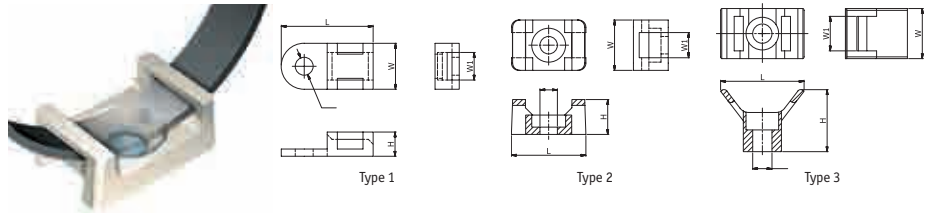
# CABLE MOUNTS

## Screw Mount Cable Tie Holder

SR 1719

Nylon 6.6

- Easy screw fixing
- Gives maximum stability to wire bundle
- Flammability rating UL94 V2

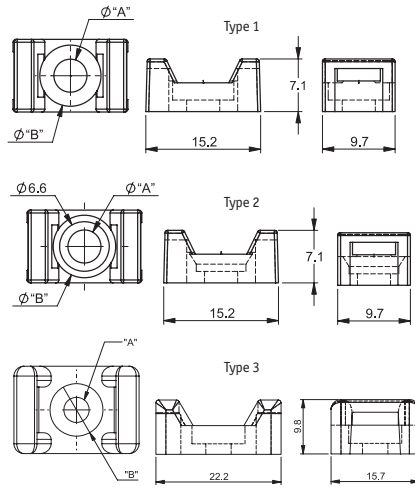


Dimensions (mm)		Tie Size (mm)	Dimensions (mm)				Panel Hole Size (mm)	Type	Standard Pack Quantity
Natural	Black		w1	L	H	W			
460335	494649	2.4-4.8	5.0	19.0	5.0	9.5	3.4	1	100
460336	494650	2.4-4.8	5.0	15.0	7.0	10.0	3.0	2	100
460337	494651	2.4-9	9.0	23.0	9.8	16.0	6.0	2	100
460338	494652	2.4-9	9.5	23.0	17.5	13.8	5.3	3	100
460339	494653	2.4-9	9.3	30.0	11.6	14.7	5.2	3	100

## Screw Mount Cable Tie Holder

SR 2008

FTH-13/FTH-14



Mounting Rivets for FTH -13R-01		
Rivet Number	Hole Ø (mm)	Panel Thickness (mm)
SR-4050	4.1	0.5 - 1.5
SR-4060	4.1	1.5 - 2.5
SR-4070	4.1	2.5 - 3.5
SR-4080	4.1	3.5 - 4.5
SR-4100	4.1	5.5 - 6.5

Mounting Rivets for FTH -14R-01		
Rivet Number	Hole Ø (mm)	Panel Thickness (mm)
SR-5055	5.1	0.5 - 1.5
SR-5065	5.1	1.2 - 2.2
SR-5075	5.1	2.2 - 3.2
SR-5085	5.1	3.2 - 4.2
SR-5095	5.1	4.2 - 5.2
SR-5105	5.1	5.2 - 6.2

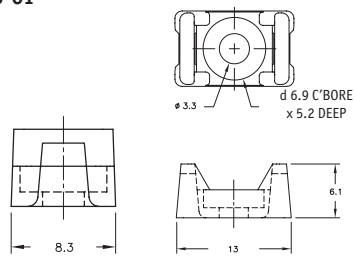
Part Number			Type	Dimensions (mm)			Mounting Methods	Standard Pack Quantity
Natural UL94 V2 Nylon 6/6, RMS-01	Black UL94 V2 Nylon 6/6, RMS-01	Natural UL94 V0 Nylon 6/6, RMS-19		Ø "A"	Ø "B"	Max Cable Tie Width Accepted		
FTH-13R-01-M	FTH-13R-01BK-M	FTH-13R-19-M	1	4.3	8.1 Counterbore	5.3	M4 screw or rivet (above)	1000
FTH-13S-01-M	FTH-13S-01BK-M	FTH-13S-19-M	2	4.3	8.1 Countersink	5.3	M3/M4	1000
FTH-14R-01-M	FTH-14R-01BK-M	FTH-14R-19-M	3	5.2	9.5 Counterbore	8.2	M5 screw or rivet (above)	1000
FTH-14S-01-M	FTH-14S-01BK-M	FTH-14S-19-M	3	6.6	12.5 Counterbore	8.2	M6	1000

## Screw Mount Cable Tie Holder

SR 2009

FTH-28

Natural UL94 V-2 Nylon 6/6, RMS-01



Part Number	Max Cable Tie Width Accepted (mm)	Mounting Screw/Rivet	Standard Pack Quantity
FTH-28RS-01	3.2	M3 screw or rivets (see table)	1000

Mounting Rivets for FTH -28RS		
Rivet Number	Hole Ø (mm)	Panel Thickness (mm)
SR-3035	3.1-3.2	Up to 0.9
SR-3045	3.1-3.2	0.9-1.9
SR-3055	3.1-3.2	1.9-2.9
SR-3065	3.1-3.2	2.9-3.9
SR-3075	3.1-3.2	3.9-4.9
SR-3080	3.1-3.2	4.4-5.4
SR-3090	3.1-3.2	5.4-6.4
SR-3100	3.1-3.2	6.4-7.4

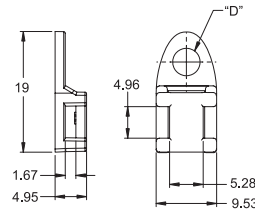
### Screw Mount Cable Tie Holder

SR 2010

FTH-34/FTH-35

Natural UL94 V-2 Nylon 6/6, RMS-01

Part Number	"D" (mm)	Max Cable Tie Width Accepted (mm)	Mounting Screw	Standard Pack Quantity
FTH-34-01	4.3	4.8	M4	1000
FTH-35-01	5.1	4.8	M5	1000



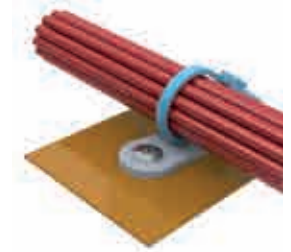
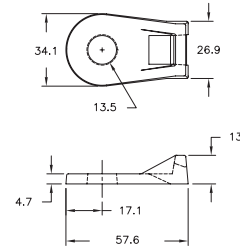
### Screw Mount Cable Tie Holder

SR 2013

FTH-17

Natural UL94 V-2 Nylon 6/6, RMS-01

Part Number	Max Cable Tie Width Accepted (mm)	Standard Pack Quantity
FTH-17-8-01	13.5	100



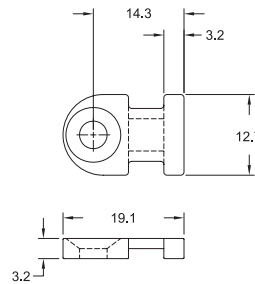
### Screw Mount Cable Tie Holder

SR 2015

FTH-1

Natural UL94 V-2 Nylon 6/6, RMS-01

Part Number	Max Cable Tie Width Accepted (mm)	Mounting Screw	Standard Pack Quantity
FTH-1-01-M	4.8	M4 Flat Head Screw	1000



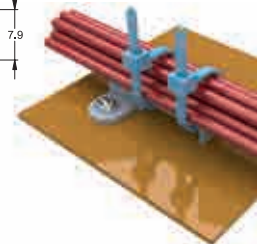
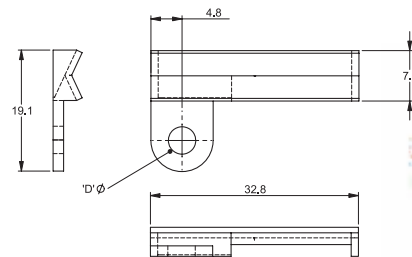
### Screw Mount Cable Tie Holder

SR 2017

FTH-11

Natural UL94 V-2 Nylon 6/6, RMS-01

Part Number	"D" (mm)	Max Cable Tie Width Accepted (mm)	Standard Pack Quantity
FTH-11-8-01	4.3	18.9	100



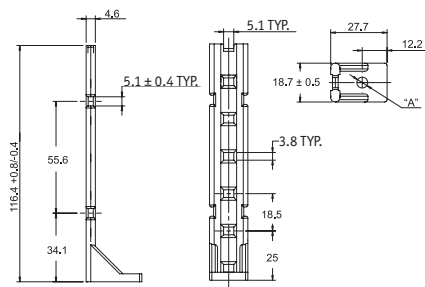
### Screw Mount Cable Tie Holder

SR 2020

FTH-24

Natural UL94 V-2 Nylon 6/6, RMS-01

Part Number	"A" (mm)	Max Cable Tie Width Accepted (mm)	Mounting Screw	Standard Pack Quantity
FTH-24-01	5.3	4.9	M5	100
FTH-24-1-01	6.4	4.9	M6	100



# CABLE MOUNTS

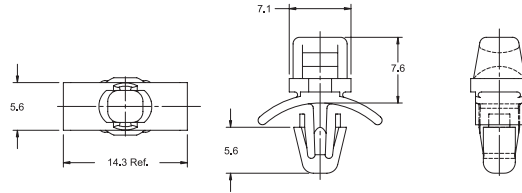
## Push Mount Cable Tie Holder

SR 2022

FTH-3

Natural UL94 V-2 Nylon 6/6, RMS-01

 UL # E71558



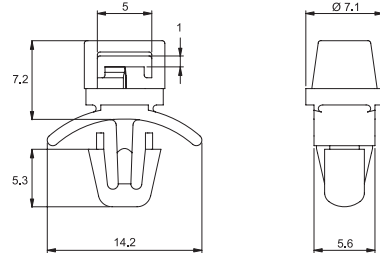
Part Number	Dimensions (mm)			Standard Pack Quantity
	Hole Ø	Panel Thickness	Max Cable Tie Width Accepted	
FTH-3-01-M	4.75 ± 0.08	0.79 - 1.98	3.5	1000

## Push Mount Cable Tie Holder

SR 2023

FTH-3A

Natural UL94 V-2 Nylon 6/6, RMS-01

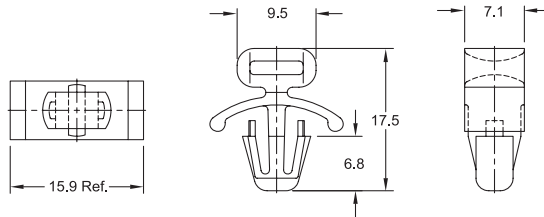


Part Number	Dimensions (mm)			Standard Pack Quantity
	Hole Ø	Panel Thickness	Max Cable Tie Width Accepted	
FTH-3A-01	5.3 ± 0.08	0.8-2	4.8	1000

## Push Mount Cable Tie Holder

SR 2024

FTH-6



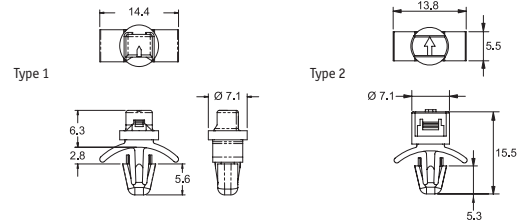
Part Number		Colour	Dimensions (mm)			Standard Pack Quantity
UL94 V2 Nylon 6/6, RMS-01	UL94 V0 Nylon 6/6, RMS-19		Hole Ø	Panel Thickness	Max. Cable Tie Width Accepted	
FTH-6-01-M	FTH-6-19-M	Natural	6.35 ± 0.08	1.19-2.77	6.6	1000
FTH-6-01BK-M	-	Black	6.35 ± 0.08	1.19-2.77	6.6	1000

## Push Mount Cable Tie Holder

SR 2025

FTH-30

Natural UL94 V-2 Nylon 6/6, RMS-01



Part Number	Type	Dimensions (mm)			Standard Pack Quantity
		Hole Ø	Panel Thickness	Max Cable Tie Width Accepted	
FTH-30-01	1	4.76	0.8-2	2.5	1000
FTH-30-1-01	2	4.76	0.8-2	2.5	1000

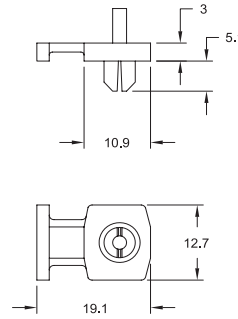
### Push Mount Cable Tie Holder

SR 2026

FTH-22

Yellow UL94 V-2 Nylon 6/6, RMS-01

Part Number	Dimensions (mm)			Standard Pack Quantity
	Hole Ø	Panel Thickness	Max Cable Tie Width Accepted	
FTH-22-01	5±0.05	0.8 - 3.2	5.4	1000

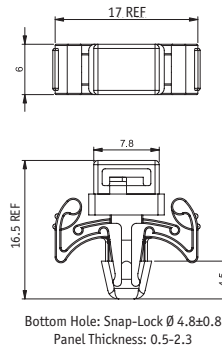


### Push Mount Cable Tie Holder

SR 2027

FTH-41

Part Number		Max Cable Tie Width Accepted (mm)	Standard Pack Quantity
Natural UL94 V-2 Nylon 6/6, RMS-01	Natural UL94 V-0 Nylon 6/6, RMS-19		
FTH-41-01	FTH-41-19	5.6	1000



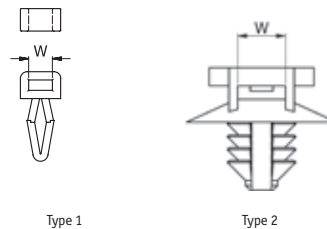
### Push Mount Cable Tie Holder

SR 1720

Nylon 6.6

- Easy one-push fit
- Flammability rating UL94 V2

Part Number		Type	W (mm)	Panel Hole Size (mm)	Standard Pack Quantity
Natural	Black				
142004000002	142004059902	1	4.0	3.2	500
142008000002	142008059902	1	8.1	6.4	500
-	462716	2	5.0	7.6	100



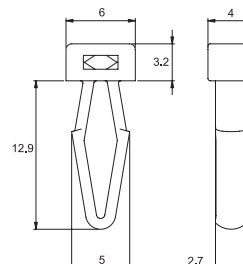
Type 2 - Black Nylon 6.6

### Cable Tie Holder

SR 2028

FTH-39

Part Number		Max Cable Tie Width Accepted (mm)	Hole Ø	Panel Thickness	Standard Pack Quantity
Natural UL94 V-2 Nylon 6/6, RMS-01	Natural UL94 V-0 Nylon 6/6, RMS-19				
FTH-39-1-01	FTH-39-1-19	2.8	3.2	1 - 4.5	1000



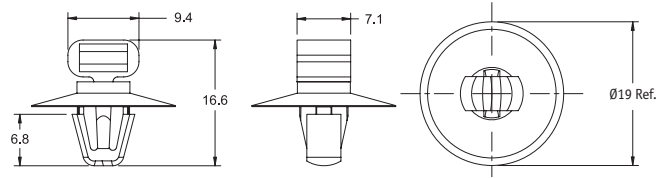
# CABLE MOUNTS

## Cupped Base Cable Tie Holder

SR 2029

FTH-29

Natural UL94 V-2 Nylon 6/6, RMS-01



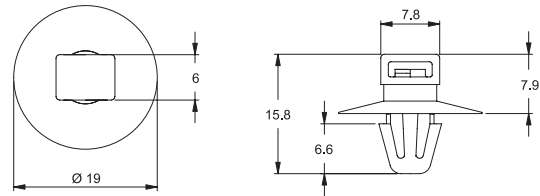
Part Number	Dimensions (mm)			Standard Pack Quantity
	Hole Ø	Panel Thickness	Max. Cable Tie Width Accepted	
FTH-29-01	6.35 ± 0.08	1.6	6	1000

## Cupped Based Cable Tie Holder

SR 2030

FTH-33

UL94 V-2 Nylon 6/6, RMS-01



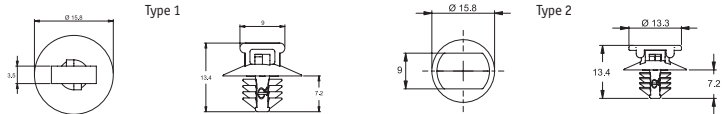
Part Number	Colour	Dimensions (mm)						Standard Pack Quantity
		Maximum Cable Tie Width Accepted	Hole Ø	Panel Thickness	Minimum Loop Tensile Strength (Kg)	"L"	Maximum Bundle Ø	
FTH-33-01	Natural	5.6	6.4	1.4 - 2	-	-	-	1000
FTH-33-1-ASS	Black	5.6	6.4	1.4 - 2	22.4	160	40	1000

## Cupped Based Cable Tie Holder

SR 2031

FTH-36/FTH-37

Black UL94 V-2 Nylon 6/6, RMS-01



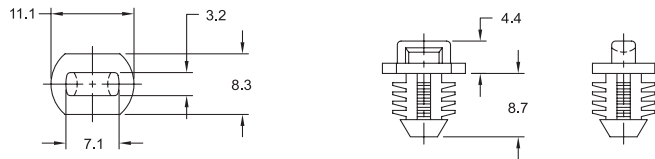
Part Number	Type	Dimensions (mm)						Standard Pack Quantity
		Max Cable Tie Width Accepted	Min. Loop Tensile Strength (kg)	"L" Length Ref.	Max. Bundle Ø	Hole Ø	Panel Thickness	
FTH-36-01BK	1	4.8	-	-	-	6.5-7	0.8-3	1000
FTH-36-1-ASS	1	Pre-Assembled with Cable Tie RG-311	22.4	160	40	6.5-7	0.8-3	1000
FTH-37-01BK	2	4.8	-	-	-	6.5-7	0.8-3	1000
FTH-37-1-ASS	2	Pre-Assembled with Cable Tie RG-311	22.4	160	40	6.5-7	0.8-3	1000

## Blind Hole Cable Tie Holder

SR 2032

FTH-15

Natural



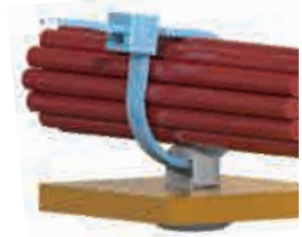
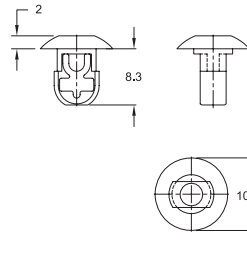
Part Number		Dimensions (mm)			Standard Pack Quantity
UL94 V2 Nylon 6/6, RMS-01	UL94 V0 Nylon 6/6, RMS-19	Hole Ø	Panel Thickness	Max. Cable Tie Width Accepted	
FTH-15-01-M	FTH-15-19-M	8.0	6.4 Min.	3.9	1000

## Cable Tie Holder

SR 2033

FTH-9

Natural UL94 V-2 Nylon 6/6, RMS-01



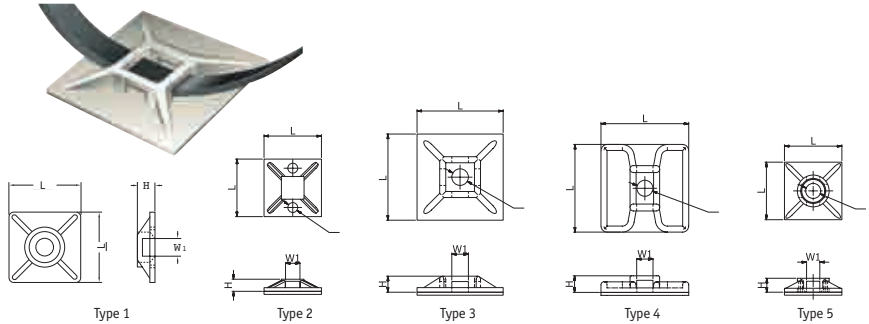
Part Number	Dimensions (mm)			Standard Pack Quantity
	Hole Ø	Panel Thickness	Max. Cable Tie Width Accepted	
FTH-9-01-M	6.35 ± 0.08	3.18 Max.	4.8	1000

## Adhesive Tie Mounts

SR 1718

Nylon 6.6

- Strong adhesion for quick and easy installation
- Ideal for lightweight wire bundles
- Flammability rating UL94 V2
- Panel hole for optional screw fixing



Part Number		Type	Tie Width (mm)	Dimensions (mm)			Panel Hole Diameter (mm)	Standard Pack Quantity
Natural	Black			W1	L	H		
460329	494643	1	2.4-3.2	3.2	12.5 x 12.5	3.2	100	
460330	494644	2	2.4-3.6	4.5	19 x 19	3.9	100	
460331	494645	1	2.4-3.6	4.7	21 x 21	3.5	100	
460332	494646	3	2.4-4.8	5.0	28 x 28	4.0	100	
460333	494647	4	2.4-4.8	5.0	28 x 28	4.0	100	
460334	494648	5	2.4-4.5	4.5	18 x 18	4.5	100	

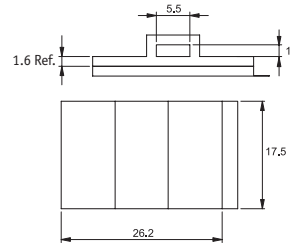
## Cable Tie Holder on Adhesive Base

SR 2034

FTH-2A

Natural Rigid PVC, RMS-193

Adhesive: RMS-324



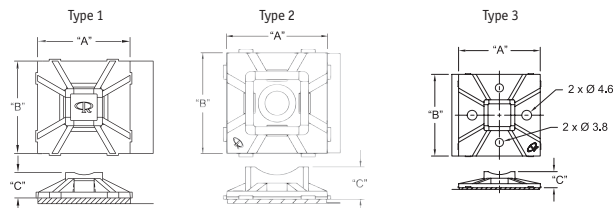
Part Number	Maximum Cable Tie Width Accepted (mm)	Standard Pack Quantity
FTH-2A4-RT	5.3	1000

## Cable Tie Holder

SR 2035

FTH-5/FTH-7/FTH-8/ FTH-10/MFTH

Natural UL94 V-2 Nylon 6/6



Part Number	Adhesive	Type	Max. Cable Tie Width Accepted	Dimensions (mm)			Mounting Screw	Standard Pack Quantity
				"A"	"B"	"C"		
MFTH-2-01A4-RT	Rubber, RMS-24	1	2.5	12.7	12.7	3.5	-	1000
FTH-5A4-RT-M	Rubber, RMS-24	2	3.5	19.1	19.1	6.1	M3.5 Flat Head	1000
FTH-5-01-M	None	2	3.5	19.1	19.1	6.1	M3.5 Flat Head	1000
FTH-7A4-RT-M	Rubber, RMS-24	2	3.5	25.4	25.4	7.1	M4 Flat Head	1000
FTH-7-01-M	None	2	3.5	25.4	25.4	7.1	M4 Flat Head	1000
FTH-8A-RT-M	Acrylic, RMS-15	3	8.3	38.1	38.1	7.6	2 x M4 or 2 x M3.5	1000
FTH-10A-RT-M	Acrylic, RMS-15	3	8.3	50.8	50.8	7.6	2 x M4 or 2 x M3.5	1000

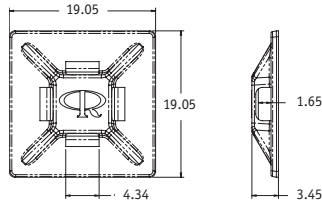
# CABLE MOUNTS

## Low Profile Cable Tie Holder

SR 2036

FTH-40

White ABS, RMS-02



Part Number	Max. Cable Tie Width Accepted (mm)	Adhesive	Standard Pack Quantity
FTH-40	4.1	None	1000
FTH-40A-RT	4.1	Acrylic, RMS-15	1000
FTH-40A1-RT	4.1	Rubber, RMS-102	1000

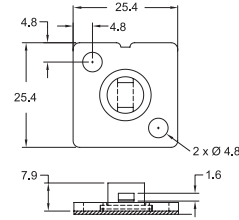
## Cable Tie Holder with Swivel

SR 2037

FTH-4

Natural UL94 V-2 Nylon 6/6, RMS-01

- Unique swivel head allows 360° rotation of the mounted bundle

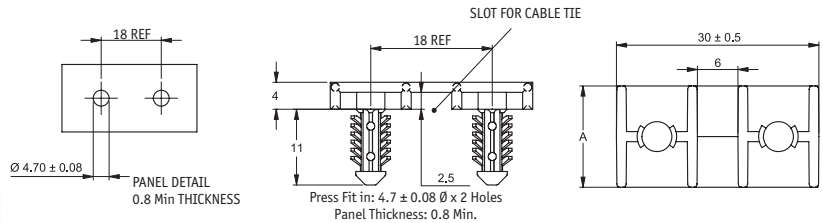


Part Number	Max Cable Tie Width Accepted (mm)	Adhesive	Mounting Screw	Standard Pack Quantity
FTH-4A-RT-M	3.8	Acrylic, RMS-15	2 x M4	1000

## Heavy Duty Cable Tie Holder

SR 2038

FTH-42



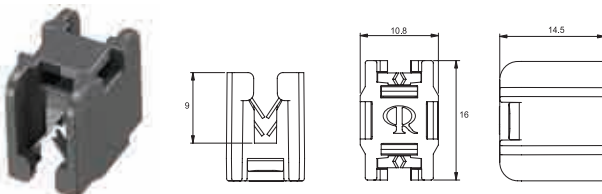
Part Number		"A" Dimension	Max. Cable Tie Width Accepted	Standard Pack Quantity
Natural UL94 V-2 Nylon 6/6, RMS-01	Black UL94 V-2 Nylon 6/6, RMS-01			
FTH-42-1-01	FTH-42-1-01BK	7	5.8	1000
FTH-42-2-01	FTH-42-2-01BK	15	5.8	1000
FTH-42-3-01	FTH-42-3-01BK	25	5.8	1000

## Edge Mount Cable Tie Holder

SR 2039

FTH-31

- Retention Force to Steel Panel: Minimum 25N 0.8mm Panel; Minimum 45N 3mm Panel
- Retention Force to Plastic Panel: Minimum 150N 2.4-3mm



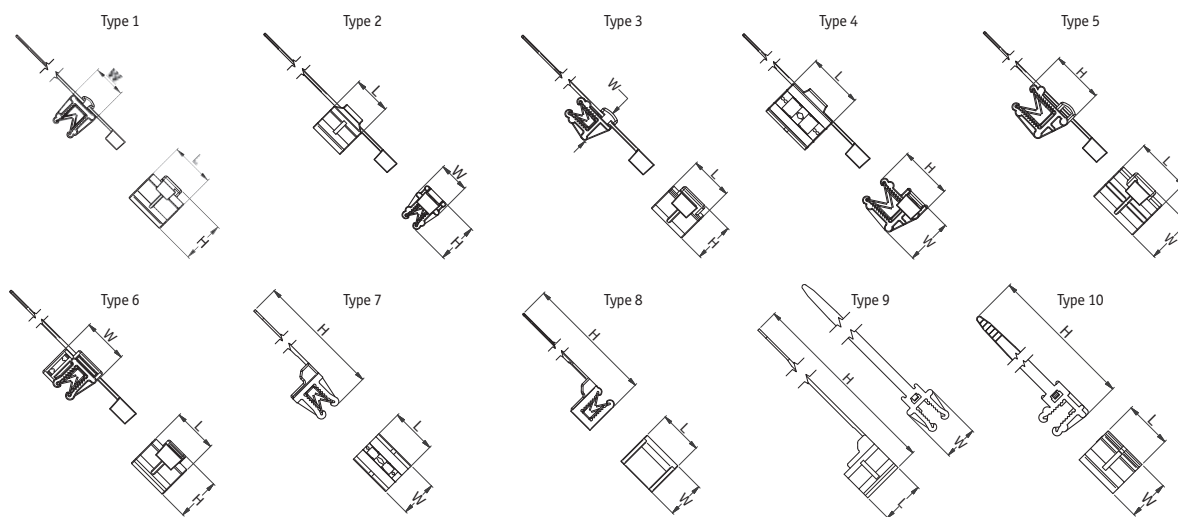
Part Number	Panel Thickness (mm)	Max Cable Tie Width Accepted (mm)	Material Clip	Material Housing	Standard Pack Quantity
FTH-31-01	0.8 - 3	4.8	Stainless Steel Type '2B' Bright Finish, RMS-365 Grade 304 (1.4301 thick)	UL94 V-2 Nylon 6/6, RMS-01 Colour: Black	1000
FTH-31-UVB	0.8 - 3	4.8	Stainless Steel Type '2B' Bright Finish, RMS-365 Grade 304 (1.4301 thick)	UL94 UV Stabilised V2 Nylon 6/6, RMS-46 Colour: Black	1000

## Metal Edge Cable Tie Mounting Clips

SR 6261

Polyamide and Spring Steel acc. to EN 10132-4

- Push on plastic/metal sheet edge anchors for cable ties
- Retention of 200N based on a standard 2mm panel size
- Permanent fixing for all sheet material applications
- In top or side mounting options and different bundle orientations
- Available as clip or with cable tie already installed
- Standard Tie: 200 x 4.8mm 200N Retention Force. Maximum bundle Diameter 45mm



Part Number	Panel Thickness (mm)	Dimensions (mm)			Type	Cable Tie Size	Standard Pack Quantity
		"W"	"L"	"H"			
550243	0.7 - 3.0mm	12.0	15	15.8	1	-	100
550244	0.7 - 3.0mm	13.9	15	15.6	3	-	100
550245	0.7 - 3.0mm	12.0	15	15.6	2	-	100
550246	3.0 - 6.0mm	15.1	20	18.8	2	-	100
550247	0.7 - 3.0mm	13.9	15	15.6	4	-	100
550248	3.0 - 6.0mm	15.1	20	19.2	1	-	100
550249	3.0 - 6.0mm	17.1	20	19.0	5	-	100
550250	3.0 - 6.0mm	17.1	20	18.8	4	-	100
550251	0.7 - 3.0mm	15.1	15	15.1	6	-	100
550252	0.7 - 3.0mm	12.0	15	15.8	1	200 x 4.8 x 1.2	100
550253	0.7 - 3.0mm	13.9	15	15.6	3	200 x 4.8 x 1.2	100
550254	0.7 - 3.0mm	12.0	15	15.6	2	200 x 4.8 x 1.2	100
550255	3.0 - 6.0mm	15.1	20	18.8	2	200 x 4.8 x 1.2	100
550256	0.7 - 3.0mm	13.9	15	15.6	4	200 x 4.8 x 1.2	100
550257	3.0 - 6.0mm	15.1	20	19.2	1	200 x 4.8 x 1.2	100
550258	3.0 - 6.0mm	17.1	20	19.0	5	200 x 4.8 x 1.2	100
550259	3.0 - 6.0mm	17.1	20	18.8	4	200 x 4.8 x 1.2	100
550260	0.7 - 3.0mm	15.1	15	15.1	6	200 x 4.8 x 1.2	100
550277	0.7 - 3.0mm	15.0	20	167.0	7	140 x 3.6 x 1.2	100
550278	0.7 - 3.0mm	15.0	20	168.0	8	140 x 3.6 x 1.2	500
550279	0.7 - 3.0mm	15.0	20	167.0	9	140 x 3.6 x 1.2	100
550280	0.7 - 3.0mm	15.0	20	167.0	10	140 x 3.6 x 1.2	100



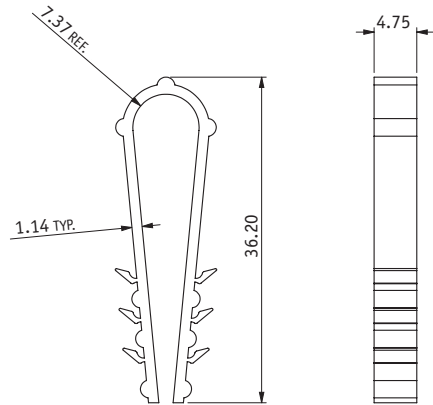
# CABLE MOUNTS

## Loop Fastener

SR E-0013

Natural HDPE

- Fits a 6.35 mm hole
- Slip the U-shaped fastener over a wire or tube and push into a drilled hole



Part Number	Hole Dia. (mm)	Standard Pack Quantity
22LF1425250	6.35	500

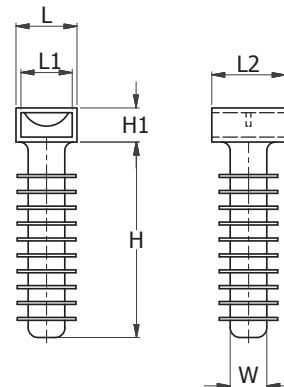
## Masonry Mount Cable Tie Mount

SR 2042

WPM

Black UL94 V-2 Nylon 6/6

- Simply press into pre-drilled holes
- Ideal for use with any of our standard or heavy duty cable ties



Part Number	Type	Dimensions (mm)						Standard Pack Quantity
		H	H1	W	L	L1	L2	
WPM001B	1	37.0	6.3	10.0	12.7	9.7	12.5	100
WPM002A	2	36.2	13.0	10.0	12.9	9.7	12.4	100

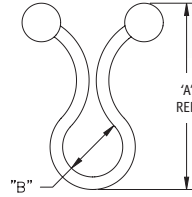
## Twist Lock

SR 2043

TL

UL94 V2 Nylon 6/6, RMS-01

Part Number		"A" (mm)	Cable Bundle Diameter (mm)	Standard Pack Quantity
Natural	Black			
058005000002	-	20.0	4-6.5	1000
TL-250	TL-250BK	22.9	5.1-7.6	1000
TL-350	TL-350BK	26.2	7.6-10.2	1000
TL-450	TL-450BK	30.5	10.2-12.7	1000
TL-600	TL-600BK	33.7	14-16.5	1000
TL-750	TL-750BK	39.4	17.8-20.3	1000
TL-950	TL-950BK	43.4	Max. 25.4	1000
TL-1125	TL-1125BK	55.6	Max. 30.2	1000
TL-1375	TL-1375BK	68.1	Max. 36.5	1000
TL-1500	TL-1500BK	74.4	Max. 39.7	1000
TL-1750	-	87.6	Max. 46	1000

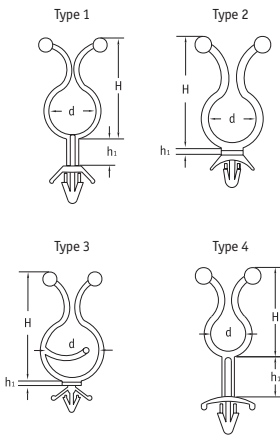


## Push-In Twist Ties

SR 1728

Natural Nylon 6.6

- Reusable and releasable for easy wire bundling
- Easy open-and-twist fit to cables
- Flammability rating UL94 V2
- Lock into 4.8mm hole



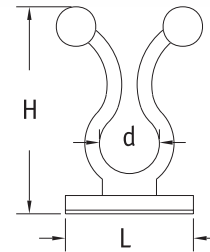
Part Number	Type	Dimensions (mm)			Standard Pack Quantity
		H	h1	d	
460351	1	30.0	17.5	11.0	100
460352	1	30.0	1.1	11.6	100
460353	1	29.7	2.5	10.5	100
460357	1	33.0	8.7	15.5	100
460361	1	34.0	1.1	15.6	100
460362	1	46.2	3.1	24.0	100
460354	2	33.4	1.4	14.8	100
460355	3	38.3	1.4	18.5	100
460359	4	28.5	12.2	11.0	100

## Adhesive Twist Ties

SR 1727

Natural Nylon 6.6

- Strong adhesion for quick and easy installation
- Easy open-and-twist fit to cables
- Flammability rating UL94 V2



Part Number	Cable Bundle Diameter (mm)	Dimensions (mm)			Standard Pack Quantity
		d	H	L	
460347	7-10	7.9	27.5	17.4	100
460348	10-15	14.8	35.2	22.0	100
460349	15-20	20.6	40.0	25.5	100

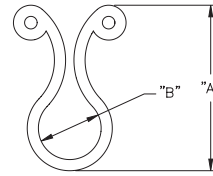
# TWIST TIES AND CABLE CLIPS

## Kurly Lock

SR 2044

KL

Natural UL94 V2 Nylon 6/6, RMS-01



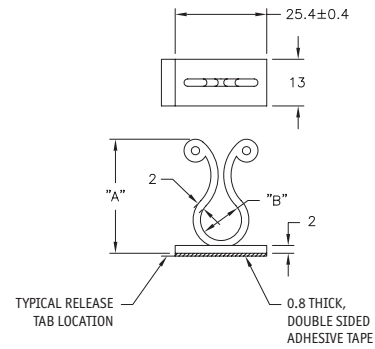
Part Number	Dimensions (mm)		Standard Pack Quantity
	"A"	"B" Wire Bundle Ø	
KL-125	12.2	3.2-3.8	1000
KL-200	20.7	4.1-6.1	1000
KL-250	23.0	5.1-7.6	1000
KL-350	26.2	7.6-10.2	1000
KL-450	30.5	10.2-12.7	1000
KL-600	31.8	14-16.5	1000
KL-750	38.6	17.8-20.3	1000
KL-950	44.5	22.9-25.4	1000

## Kurly Lock on Adhesive Base

SR 2045

KLB

Natural



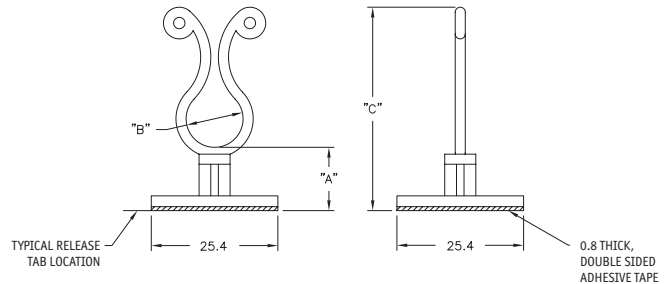
Part Number		"A" (mm)	"B" Bundle Ø Range (mm)	Adhesive Base	Standard Pack Quantity
Nylon 6/6, RMS-01	UL94 V0 Nylon 6/6, RMS-19				
KLB-350A4-RT	KLB-350A4-RT-19	27.2	7.6-10.2	RMS-324	1000
KLB-450A4-RT	KLB-450A4-RT-19	31.2	10.2-12.7	RMS-324	1000
KLB-750A-RT	KLB-750A-RT-19	40.1	17.8-20.3	RMS-15	1000

## Kurly Lock on Adhesive Base with Stand-Off

SR 2046

KLBS

Natural UL94 V2 Nylon 6/6, RMS-01



Part Number	Dimensions mm			Adhesive Base	Standard Pack Quantity
	"A"	"C"	"B" Bundle Ø		
KLBS-3504-01A4	6.4	32.5	7.6 - 10.2	RMS-324	1000
KLBS-3508-01A	12.7	38.9	7.6 - 10.2	RMS-15	1000
KLBS-35012-01A4	19.1	45.2	7.6 - 10.2	RMS-324	1000
KLBS-35016-01A	25.4	51.6	7.6 - 10.2	RMS-15	500

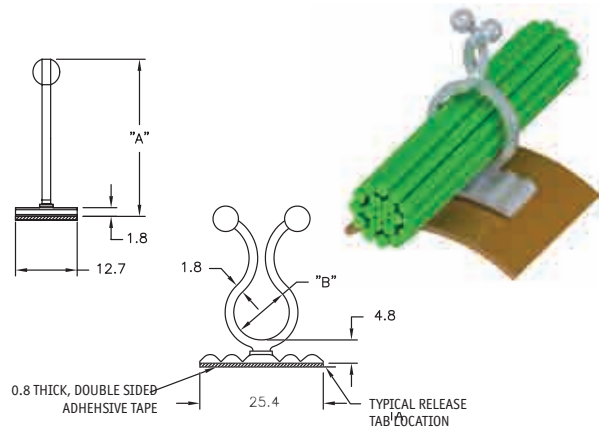
### Twist Lock on Flexible Adhesive Base

SR 2047

TLFB

Nylon 6/6, RMS-01 Colour: Natural;

Adhesive back, RMS-102



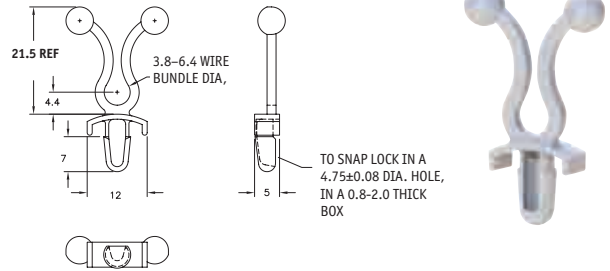
Part Number	"A" (mm)	"B" Bundle Ø (mm)	Standard Pack Quantity
TLFB-350-01A1	29.3	7.6 - 10.2	1000
TLFB-450-01A1	32.3	10.2 - 12.7	1000
TLFB-750-01A1	40.9	17.8 - 20.3	1000

### Twist Lock, Type "J"

SR 2048

TLJ

Natural Nylon 6/6, RMS-01

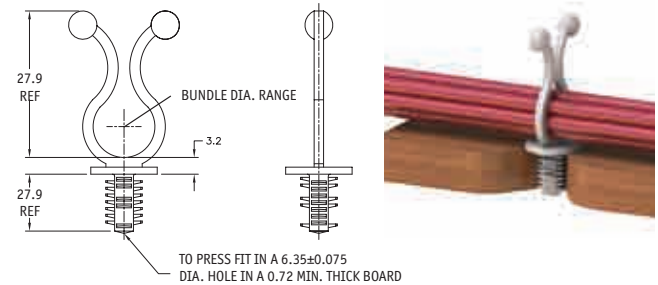


Part Number	Standard Pack Quantity
TLJ-200-01	500

### Blind Hole Twist-Lock

SR 2049

STL-8



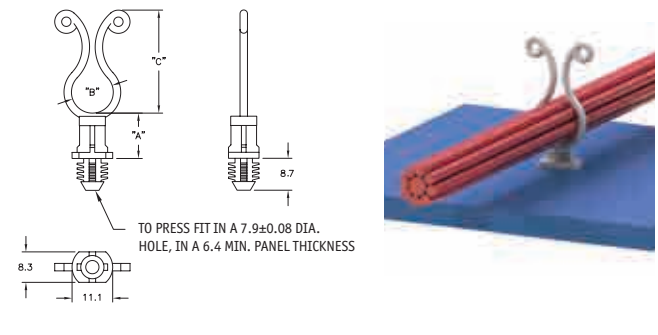
Part Number		Standard Pack Quantity
UL94 V2 Nylon 6/6, RMS-01	UL94 V0 Nylon 6/6, RMS-19	1000
STL-8-450-2-01	STL-8-450-2-19	

### Blind Hole Kurly Lock

SR 2050

BHKL

Natural UL94 V2 Nylon 6/6, RMS-01

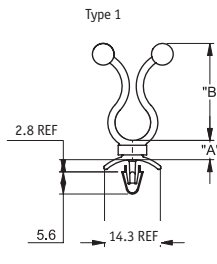


Part Number	Dimensions (mm)			Standard Pack Quantity
	"A"	"B" Bundle Ø Range	"C"	
BHKL-350-4-01	6.4	7.6 - 10.2	25.4	1000
BHKL-350-10-01	15.9	7.6 - 10.2	25.4	1000
BHKL-450-4-01	6.4	10.2 - 12.7	28.6	1000
BHKL-450-6-01	9.5	10.2 - 12.7	28.6	1000
BHKL-750-4-01	6.4	17.8 - 20.3	38.1	1000
BHKL-750-6-01	9.5	17.8 - 20.3	38.1	1000

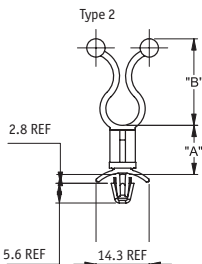
# TWIST TIES AND CABLE CLIPS

## Stand-Off Twist Lock

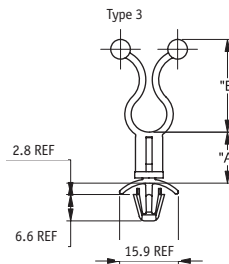
SR 2051



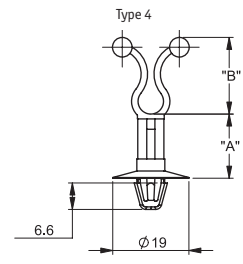
Bottom Hole: Snap-lock  $\varnothing 4 \pm 0.08$   
Panel Thickness: 0.8-2



Bottom Hole: Snap-lock  $\varnothing 4.75 \pm 0.08$   
Panel Thickness: 0.8-2



Bottom Hole: Snap-lock  $\varnothing 6 \pm 0.08$   
Panel Thickness: 0.8-2



Bottom Hole: Snap-lock  $\varnothing 6.5 \pm 0.09$   
Panel Thickness: 0.8-1.6

## STL

Natural UL94 V2 Nylon 6/6 RMS-01

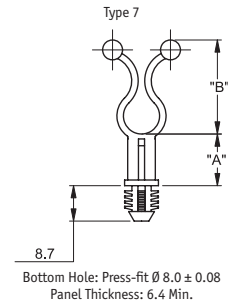
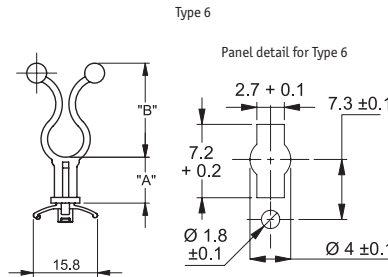
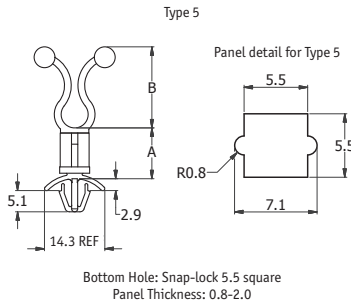
Part Number								Dimensions (mm)			Standard Pack Quantity
Type 1		Type 2		Type 3		Type 4		"A"	"B"	Bundle $\varnothing$	
UL94 V2 Nylon 6/6 RMS-01	UL94 V0 Nylon 6/6 RMS-19	UL94 V2 Nylon 6/6 RMS-01	UL94 V0 Nylon 6/6 RMS-19	UL94 V2 Nylon 6/6 RMS-01	UL94 V0 Nylon 6/6 RMS-19	UL94 V2 Nylon 6/6 RMS-01	UL94 V0 Nylon 6/6 RMS-19				
STL1-250-4M-01	STL1-250-4M-19	STL-J-250-4M-01	STL-J-250-4M-19	-	STL6-250-4M-19	-	STL5-250-4M-19	4	19.1	5.1-7.6	1000
STL1-250-3-01	-	STL-250-3-01	STL-250-3-19	STL6-250-3-01	STL6-250-3-19	STL5-250-3-01	STL5-250-3-19	4.8	19.1	5.1-7.6	1000
-	STL1-250-6M-19	-	STL-J-250-6M-19	STL6-250-6M-01	STL6-250-6M-19	STL5-250-6M-01	STL5-250-6M-19	6	19.1	5.1-7.6	1000
STL1-250-8M-01	STL1-250-8M-19	STL-J-250-8M-01	STL-J-250-8M-19	-	STL6-250-8M-19	STL5-250-8M-01	STL5-250-8M-19	8	19.1	5.1-7.6	1000
STL1-250-10M-01	STL1-250-10M-19	STL-250-10M-01	-	STL6-250-10M-01	STL6-250-10M-19	STL5-250-10M-01	STL5-250-10M-19	10	19.1	5.1-7.6	1000
STL1-250-12M-01	STL1-250-12M-19	STL-250-12M-01	STL-250-12M-19	STL6-250-12M-01	STL6-250-12M-19	STL5-250-12M-01	STL5-250-12M-19	12	19.1	5.1-7.6	1000
STL1-250-8-01	STL1-250-8-19	STL-250-8-01	STL-250-8-19	-	STL6-250-8-19	STL5-250-8-01	STL5-250-8-19	12.7	19.1	5.1-7.6	1000
STL1-250-12-01	STL1-250-12-19	STL-250-12-01	STL-250-12-19	STL6-250-12-01	STL6-250-12-19	STL5-250-12-01	STL5-250-12-19	19.1	19.1	5.1-7.6	1000
STL1-250-16-01	STL1-250-16-19	STL-250-16-01	STL-250-16-19	STL6-250-16-01	STL6-250-16-19	STL5-250-16-01	STL5-250-16-19	25.4	19.1	5.1-7.6	1000
STL1-250-20-01	STL1-250-20-19	STL-250-20-01	STL-250-20-19	-	STL6-250-20-19	STL5-250-20-01	STL5-250-20-19	31.8	19.1	5.1-7.6	1000
STL1-350-4M-01	STL1-350-4M-19	STL-J-350-4M-01	STL-J-350-4M-19	-	STL6-350-4M-19	-	STL5-350-4M-19	4	23.1	7.6-10.2	1000
STL1-350-3-01	STL1-350-3-19	STL-350-3-01	STL-350-3-19	STL6-350-3-01	-	STL5-350-3-01	STL5-350-3-19	4.8	23.1	7.6-10.2	1000
STL1-350-6M-01	STL1-350-6M-19	STL-J-350-6M-01	STL-J-350-6M-19	STL6-350-6M-01	STL6-350-6M-19	STL5-350-6M-01	STL5-350-6M-19	6	23.1	7.6-10.2	1000
STL1-350-8M-01	STL1-350-8M-19	STL-J-350-8M-01	STL-J-350-8M-19	STL6-350-8M-01	STL6-350-8M-19	STL5-350-8M-01	STL5-350-8M-19	8	23.1	7.6-10.2	1000
STL1-350-10M-01	STL1-350-10M-19	-	STL-350-10M-19	STL6-350-10M-01	STL6-350-10M-19	STL5-350-10M-01	STL5-350-10M-19	10	23.1	7.6-10.2	1000
STL1-350-12M-01	STL1-350-12M-19	STL-350-12M-01	STL-350-12M-19	STL6-350-12M-01	STL6-350-12M-19	STL5-350-12M-01	STL5-350-12M-19	12	23.1	7.6-10.2	1000
STL1-350-8-01	STL1-350-8-19	STL-350-8-01	STL-350-8-19	-	STL6-350-8-19	STL5-350-8-01	STL5-350-8-19	12.7	23.1	7.6-10.2	1000
STL1-350-12-01	-	STL-350-12-01	STL-350-12-19	-	STL6-350-12-19	STL5-350-12-01	STL5-350-12-19	19.1	23.1	7.6-10.2	1000
STL1-350-16-01	STL1-350-16-19	-	STL-350-16-19	STL6-350-16-01	STL6-350-16-19	STL5-350-16-01	STL5-350-16-19	25.4	23.1	7.6-10.2	1000
-	STL1-350-20-19	STL-350-20-01	STL-350-20-19	-	STL6-350-20-19	STL5-350-20-01	STL5-350-20-19	31.8	23.1	7.6-10.2	1000
STL1-450-4M-01	STL1-450-4M-19	STL-J-450-4M-01	STL-J-450-4M-19	STL6-450-4M-01	STL6-450-4M-19	-	STL5-450-4M-19	4	27.7	10.2-12.7	1000
STL1-450-3-01	STL1-450-3-19	STL-450-3-01	STL-450-3-19	-	STL6-450-3-19	STL5-450-3-01	STL5-450-3-19	4.8	27.7	10.2-12.7	1000
STL1-450-6M-01	-	STL-J-450-6M-01	STL-J-450-6M-19	STL6-450-6M-01	STL6-450-6M-19	STL5-450-6M-01	STL5-450-6M-19	6	27.7	10.2-12.7	1000
STL1-450-8M-01	STL1-450-8M-19	STL-J-450-8M-01	STL-J-450-8M-19	STL6-450-8M-01	STL6-450-8M-19	STL5-450-8M-01	STL5-450-8M-19	8	27.7	10.2-12.7	1000
STL1-450-10M-01	STL1-450-10M-19	STL-450-10M-01	STL-450-10M-19	STL6-450-10M-01	STL6-450-10M-19	-	STL5-450-10M-19	10	27.7	10.2-12.7	1000
-	STL1-450-12M-19	STL-450-12M-01	STL-450-12M-19	STL6-450-12M-01	STL6-450-12M-19	-	STL5-450-12M-19	12	27.7	10.2-12.7	1000
STL1-450-8-01	STL1-450-8-19	STL-450-8-01	STL-450-8-19	STL6-450-8-01	STL6-450-8-19	STL5-450-8-01	STL5-450-8-19	12.7	27.7	10.2-12.7	1000
STL1-450-12-01	STL1-450-12-19	STL-450-12-01	STL-450-12-19	STL6-450-12-01	STL6-450-12-19	STL5-450-12-01	STL5-450-12-19	19.1	27.7	10.2-12.7	1000
STL1-450-16-01	STL1-450-16-19	STL-450-16-01	STL-450-16-19	STL6-450-16-01	STL6-450-16-19	STL5-450-16-01	STL5-450-16-19	25.4	27.7	10.2-12.7	1000
-	STL1-450-20-19	STL-450-20-01	STL-450-20-19	STL6-450-20-01	STL6-450-20-19	STL5-450-20-01	STL5-450-20-19	31.8	27.7	10.2-12.7	1000
STL1-600-4M-01	STL1-600-4M-19	STL-J-600-4M-01	STL-J-600-4M-19	-	STL6-600-4M-19	-	STL5-600-4M-19	4	32.5	12.7-15.2	1000
STL1-600-3-01	STL1-600-3-19	STL-600-3-01	STL-600-3-19	-	-	STL5-600-3-01	STL5-600-3-19	4.8	32.5	12.7-15.2	1000
STL1-600-6M-01	STL1-600-6M-19	STL-J-600-6M-01	STL-J-600-6M-19	STL6-600-6M-01	STL6-600-6M-19	STL5-600-6M-01	STL5-600-6M-19	6	32.5	12.7-15.2	1000
STL1-600-8M-01	STL1-600-8M-19	STL-J-600-8M-01	STL-J-600-8M-19	STL6-600-8M-01	STL6-600-8M-19	STL5-600-8M-01	STL5-600-8M-19	8	32.5	12.7-15.2	1000
STL1-600-10M-01	STL1-600-10M-19	STL-600-10M-01	STL-600-10M-19	STL6-600-10M-01	STL6-600-10M-19	STL5-600-10M-01	STL5-600-10M-19	10	32.5	12.7-15.2	1000
STL1-600-12M-01	STL1-600-12M-19	-	STL-600-12M-19	STL6-600-12M-01	STL6-600-12M-19	STL5-600-12M-01	STL5-600-12M-19	12	32.5	12.7-15.2	1000
STL1-600-8-01	STL1-600-8-19	STL-600-8-01	STL-600-8-19	-	STL6-600-8-19	-	STL5-600-8-19	12.7	32.5	12.7-15.2	1000
STL1-600-12-01	STL1-600-12-19	STL-600-12-01	STL-600-12-19	STL6-600-12-01	STL6-600-12-19	STL5-600-12-01	STL5-600-12-19	19.1	32.5	12.7-15.2	1000
STL1-600-16-01	STL1-600-16-19	STL-600-16-01	STL-600-16-19	STL6-600-16-01	STL6-600-16-19	STL5-600-16-01	STL5-600-16-19	25.4	32.5	12.7-15.2	1000
STL1-600-20-01	STL1-600-20-19	STL-600-20-01	STL-600-20-19	STL6-600-20-01	STL6-600-20-19	STL5-600-20-01	STL5-600-20-19	31.8	32.5	12.7-15.2	1000
STL1-750-4M-01	STL1-750-4M-19	STL-J-750-4M-01	STL-J-750-4M-19	-	STL6-750-4M-19	-	STL5-750-4M-19	4	36.8	17.8-20.3	1000
STL1-750-3-01	STL1-750-3-19	STL-750-3-01	STL-750-3-19	STL6-750-3-01	STL6-750-3-19	STL5-750-3-01	STL5-750-3-19	4.8	36.8	17.8-20.3	1000
STL1-750-6M-01	STL1-750-6M-19	STL-J-750-6M-01	STL-J-750-6M-19	STL6-750-6M-01	STL6-750-6M-19	STL5-750-6M-01	STL5-750-6M-19	6	36.8	17.8-20.3	1000
STL1-750-8M-01	STL1-750-8M-19	STL-J-750-8M-01	STL-J-750-8M-19	STL6-750-8M-01	STL6-750-8M-19	STL5-750-8M-01	STL5-750-8M-19	8	36.8	17.8-20.3	1000
STL1-750-10M-01	STL1-750-10M-19	STL-750-10M-01	STL-750-10M-19	STL6-750-10M-01	STL6-750-10M-19	STL5-750-10M-01	STL5-750-10M-19	10	36.8	17.8-20.3	1000
-	STL1-750-12M-19	-	-	STL6-750-12M-01	STL6-750-12M-19	STL5-750-12M-01	STL5-750-12M-19	12	36.8	17.8-20.3	1000
STL1-750-8-01	STL1-750-8-19	STL-750-8-01	STL-750-8-19	STL6-750-8-01	STL6-750-8-19	STL5-750-8-01	STL5-750-8-19	12.7	36.8	17.8-20.3	1000
STL1-750-12-01	STL1-750-12-19	STL-750-12-01	STL-750-12-19	STL6-750-12-01	STL6-750-12-19	STL5-750-12-01	STL5-750-12-19	19.1	36.8	17.8-20.3	1000
STL1-750-16-01	STL1-750-16-19	STL-750-16-01	STL-750-16-19	STL6-750-16-01	STL6-750-16-19	STL5-750-16-01	STL5-750-16-19	25.4	36.8	17.8-20.3	1000
-	STL1-750-20-19	STL-750-20-01	STL-750-20-19	STL6-750-20-01	STL6-750-20-19	-	STL5-750-20-19	31.8	36.8	17.8-20.3	1000

## Stand-Off Twist Lock CONTINUED

SR 2051

STL

Natural UL94 V2 Nylon 6/6 RMS-01



Type 5		Type 6		Type 7		Dimensions (mm)			Standard Pack Quantity
UL94 V2 Nylon 6/6 RMS-01	UL94 V0 Nylon 6/6 RMS-19	UL94 V2 Nylon 6/6 RMS-01	UL94 V0 Nylon 6/6 RMS-19	UL94 V2 Nylon 6/6 RMS-01	UL94 V0 Nylon 6/6 RMS-19	"A"	"B"	Bundle Ø	
STL2-250-4M-01	STL2-250-4M-19	STL9-250-4M-01	STL9-250-4M-19	STL3-250-4M-01	STL3-250-4M-19	4	19.1	5.1-7.6	1000
-	-	STL9-250-3-01	STL9-250-3-19	STL3-250-3-01	STL3-250-3-19	4.8	19.1	5.1-7.6	1000
STL2-250-6M-01	STL2-250-6M-19	STL9-250-6M-01	STL9-250-6M-19	STL3-250-6M-01	STL3-250-6M-19	6	19.1	5.1-7.6	1000
STL2-250-8M-01	STL2-250-8M-19	STL9-250-8M-01	STL9-250-8M-19	STL3-250-8M-01	STL3-250-8M-19	8	19.1	5.1-7.6	1000
STL2-250-10M-01	STL2-250-10M-19	STL9-250-10M-01	STL9-250-10M-19	STL3-250-10M-01	STL3-250-10M-19	10	19.1	5.1-7.6	1000
STL2-250-12M-01	STL2-250-12M-19	STL9-250-12M-01	STL9-250-12M-19	STL3-250-12M-01	STL3-250-12M-19	12	19.1	5.1-7.6	1000
STL-2-250-8-01	STL-2-250-8-19	STL-9-250-8-01	STL-9-250-8-19	STL-3-250-8-01	STL-3-250-8-19	12.7	19.1	5.1-7.6	1000
STL-2-250-12-01	STL-2-250-12-19	STL-9-250-12-01	STL-9-250-12-19	STL-3-250-12-01	STL-3-250-12-19	19.1	19.1	5.1-7.6	1000
-	STL-2-250-16-19	STL-9-250-16-01	STL-9-250-16-19	STL-3-250-16-01	STL-3-250-16-19	25.4	19.1	5.1-7.6	1000
STL-2-250-20-01	STL-2-250-20-19	STL-9-250-20-01	STL-9-250-20-19	STL-3-250-20-01	STL-3-250-20-19	31.8	19.1	5.1-7.6	1000
STL2-350-4M-01	STL2-350-4M-19	STL9-350-4M-01	STL9-350-4M-19	STL3-350-4M-01	-	4	23.1	7.6-10.2	1000
-	STL-2-350-3-19	STL-9-350-3-01	STL-9-350-3-19	STL-3-350-3-01	-	4.8	23.1	7.6-10.2	1000
STL2-350-6M-01	STL2-350-6M-19	STL9-350-6M-01	STL9-350-6M-19	STL3-350-6M-01	STL3-350-6M-19	6	23.1	7.6-10.2	1000
STL2-350-8M-01	STL2-350-8M-19	STL9-350-8M-01	STL9-350-8M-19	STL3-350-8M-01	STL3-350-8M-19	8	23.1	7.6-10.2	1000
STL2-350-10M-01	STL2-350-10M-19	STL9-350-10M-01	STL9-350-10M-19	STL3-350-10M-01	STL3-350-10M-19	10	23.1	7.6-10.2	1000
STL2-350-12M-01	STL2-350-12M-19	STL9-350-12M-01	STL9-350-12M-19	STL3-350-12M-01	STL3-350-12M-19	12	23.1	7.6-10.2	1000
STL-2-350-8-01	STL-2-350-8-19	STL-9-350-8-01	STL-9-350-8-19	STL-3-350-8-01	STL-3-350-8-19	12.7	23.1	7.6-10.2	1000
STL-2-350-12-01	STL-2-350-12-19	STL-9-350-12-01	STL-9-350-12-19	-	STL-3-350-12-19	19.1	23.1	7.6-10.2	1000
STL-2-350-16-01	STL-2-350-16-19	STL-9-350-16-01	STL-9-350-16-19	STL-3-350-16-01	STL-3-350-16-19	25.4	23.1	7.6-10.2	1000
STL-2-350-20-01	STL-2-350-20-19	STL-9-350-20-01	STL-9-350-20-19	STL-3-350-20-01	STL-3-350-20-19	31.8	23.1	7.6-10.2	1000
STL2-450-4M-01	STL2-450-4M-19	-	STL9-450-4M-19	STL3-450-4M-01	-	4	27.7	10.2-12.7	1000
STL-2-450-3-01	STL-2-450-3-19	-	STL-9-450-3-19	STL-3-450-3-01	STL-3-450-3-19	4.8	27.7	10.2-12.7	1000
STL2-450-6M-01	STL2-450-6M-19	STL9-450-6M-01	STL9-450-6M-19	STL3-450-6M-01	STL3-450-6M-19	6	27.7	10.2-12.7	1000
STL2-450-8M-01	STL2-450-8M-19	STL9-450-8M-01	STL9-450-8M-19	STL3-450-8M-01	STL3-450-8M-19	8	27.7	10.2-12.7	1000
STL2-450-10M-01	STL2-450-10M-19	STL9-450-10M-01	STL9-450-10M-19	STL3-450-10M-01	STL3-450-10M-19	10	27.7	10.2-12.7	1000
STL2-450-12M-01	STL2-450-12M-19	STL9-450-12M-01	STL9-450-12M-19	STL3-450-12M-01	STL3-450-12M-19	12	27.7	10.2-12.7	1000
STL-2-450-8-01	STL-2-450-8-19	STL-9-450-8-01	STL-9-450-8-19	STL-3-450-8-01	STL-3-450-8-19	12.7	27.7	10.2-12.7	1000
STL-2-450-12-01	STL-2-450-12-19	STL-9-450-12-01	STL-9-450-12-19	-	STL-3-450-12-19	19.1	27.7	10.2-12.7	1000
STL-2-450-16-01	STL-2-450-16-19	STL-9-450-16-01	STL-9-450-16-19	STL-3-450-16-01	STL-3-450-16-19	25.4	27.7	10.2-12.7	1000
STL-2-450-20-01	STL-2-450-20-19	STL-9-450-20-01	-	STL-3-450-20-01	STL-3-450-20-19	31.8	27.7	10.2-12.7	1000
STL2-600-4M-01	STL2-600-4M-19	STL9-600-4M-01	STL9-600-4M-19	STL3-600-4M-01	-	4	32.5	12.7-15.2	1000
STL-2-600-3-01	STL-2-600-3-19	STL-9-600-3-01	STL-9-600-3-19	STL-3-600-3-01	STL-3-600-3-19	4.8	32.5	12.7-15.2	1000
STL2-600-6M-01	STL2-600-6M-19	STL9-600-6M-01	STL9-600-6M-19	STL3-600-6M-01	STL3-600-6M-19	6	32.5	12.7-15.2	1000
STL2-600-8M-01	STL2-600-8M-19	STL9-600-8M-01	STL9-600-8M-19	STL3-600-8M-01	STL3-600-8M-19	8	32.5	12.7-15.2	1000
STL2-600-10M-01	STL2-600-10M-19	STL9-600-10M-01	STL9-600-10M-19	STL3-600-10M-01	STL3-600-10M-19	10	32.5	12.7-15.2	1000
STL2-600-12M-01	STL2-600-12M-19	STL9-600-12M-01	STL9-600-12M-19	STL3-600-12M-01	STL3-600-12M-19	12	32.5	12.7-15.2	1000
STL-2-600-8-01	STL-2-600-8-19	STL-9-600-8-01	STL-9-600-8-19	STL-3-600-8-01	STL-3-600-8-19	12.7	32.5	12.7-15.2	1000
STL-2-600-12-01	STL-2-600-12-19	STL-9-600-12-01	STL-9-600-12-19	STL-3-600-12-01	STL-3-600-12-19	19.1	32.5	12.7-15.2	1000
STL-2-600-16-01	STL-2-600-16-19	STL-9-600-16-01	STL-9-600-16-19	STL-3-600-16-01	STL-3-600-16-19	25.4	32.5	12.7-15.2	1000
STL-2-600-20-01	STL-2-600-20-19	STL-9-600-20-01	STL-9-600-20-19	STL-3-600-20-01	STL-3-600-20-19	31.8	32.5	12.7-15.2	1000
STL2-750-4M-01	STL2-750-4M-19	STL9-750-4M-01	-	STL3-750-4M-01	-	4	36.8	17.8-20.3	1000
STL-2-750-3-01	STL-2-750-3-19	-	STL-9-750-3-19	STL-3-750-3-01	STL-3-750-3-19	4.8	36.8	17.8-20.3	1000
STL2-750-6M-01	STL2-750-6M-19	STL9-750-6M-01	STL9-750-6M-19	STL3-750-6M-01	STL3-750-6M-19	6	36.8	17.8-20.3	1000
STL2-750-8M-01	STL2-750-8M-19	STL9-750-8M-01	STL9-750-8M-19	STL3-750-8M-01	STL3-750-8M-19	8	36.8	17.8-20.3	1000
STL2-750-10M-01	STL2-750-10M-19	STL9-750-10M-01	STL9-750-10M-19	STL3-750-10M-01	STL3-750-10M-19	10	36.8	17.8-20.3	1000
STL2-750-12M-01	STL2-750-12M-19	STL9-750-12M-01	STL9-750-12M-19	STL3-750-12M-01	STL3-750-12M-19	12	36.8	17.8-20.3	1000
STL-2-750-8-01	STL-2-750-8-19	STL-9-750-8-01	STL-9-750-8-19	STL-3-750-8-01	STL-3-750-8-19	12.7	36.8	17.8-20.3	1000
STL-2-750-12-01	STL-2-750-12-19	STL-9-750-12-01	STL-9-750-12-19	STL-3-750-12-01	STL-3-750-12-19	19.1	36.8	17.8-20.3	1000
STL-2-750-16-01	STL-2-750-16-19	STL-9-750-16-01	STL-9-750-16-19	STL-3-750-16-01	STL-3-750-16-19	25.4	36.8	17.8-20.3	1000
STL-2-750-20-01	STL-2-750-20-19	STL-9-750-20-01	STL-9-750-20-19	STL-3-750-20-01	STL-3-750-20-19	31.8	36.8	17.8-20.3	1000

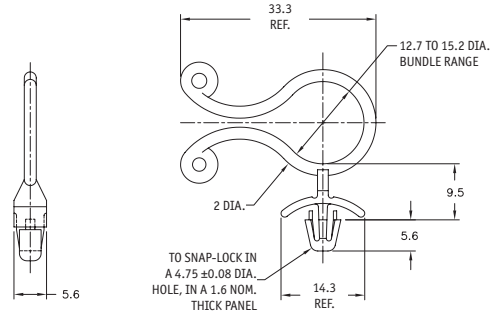
# TWIST TIES AND CABLE CLIPS

## Side Entry Kurly Lock

SR 2053

SKLO

Natural Nylon 6/6, RMS-01



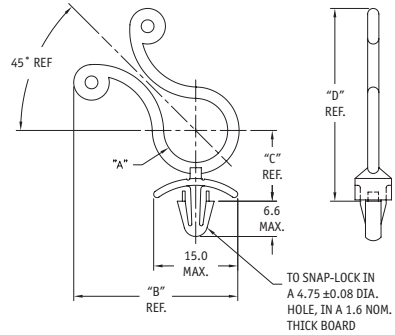
Part Number	Standard Pack Quantity
SKLO-550-01	1000

## 45° Kurly Lock

SR 2054

SKL

Natural UL94 V2 Nylon 6/6, RMS-01



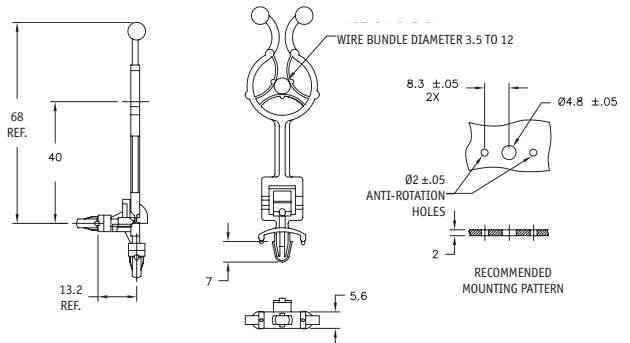
Part Number	Dimensions (mm)				Standard Pack Quantity
	"A" Bundle Ø Range	"B"	"C"	"D"	
SKL45-250	3.8 - 6.35	24.9	8.5	26.7	1000
SKL45-350	7.6 - 10	27.2	11.0	30.5	1000
SKL45-450	10 - 12	28.4	12.0	33.0	1000

## Hinged Twist Lock with Stand-Off

SR 2056

TLHS90

Natural Nylon 6/6, RMS-01



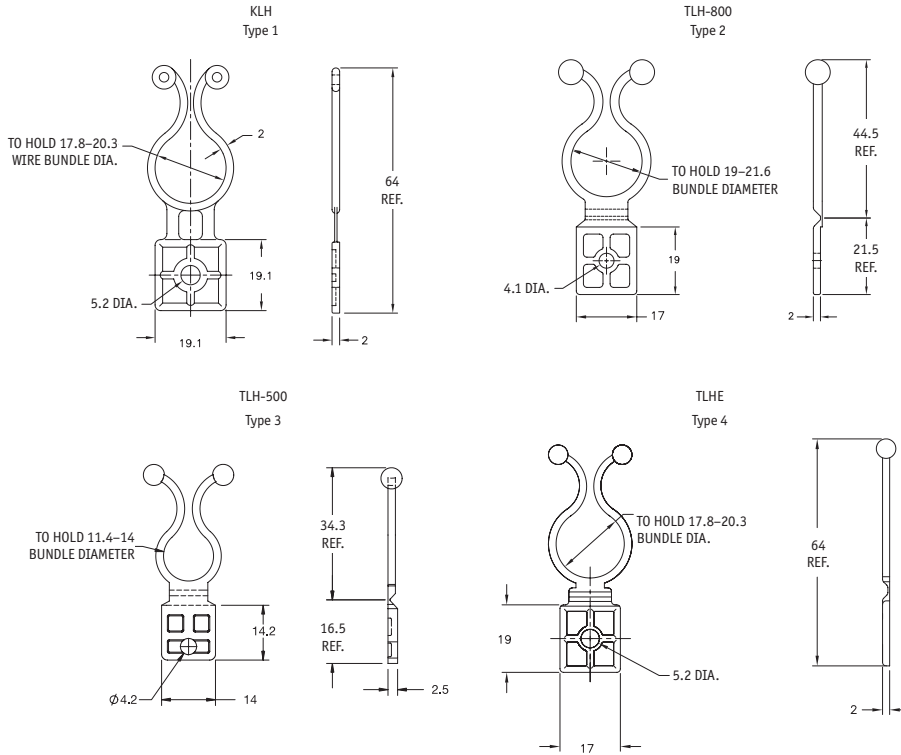
Part Number	Standard Pack Quantity
TLHS90-300-01	500

## Screw Mount Twist Locks

SR 2057

KLH/TLH/TLHE

Natural UL94 V2 Nylon 6/6, RMS-01



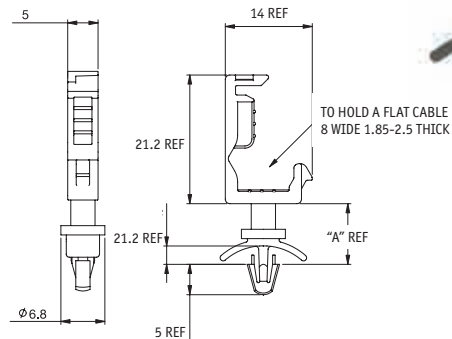
Part Number	Recommended Screw Size	Type	Standard Pack Quantity
KLH-750-01	M4	1	1000
TLH-800-01	M3	2	1000
TLH-500-01	M4	3	1000
TLHE-1-750-01	M4	4	1000

## Flat Cable Wire Saddle

SR 2058

FCWSS

Black



Part Number		Dimensions (mm)			Standard Pack Quantity
Nylon 6/6, RMS-01	UL94 V0 Nylon 6/6, RMS-19	"A"	Panel Hole Ø	Panel Thickness	
FCWSS-1-01BK	FCWSS-1-19BK	4.8	4	0.8 - 1.6	1000
FCWSS-2-01BK	-	10	4	0.8 - 1.6	1000

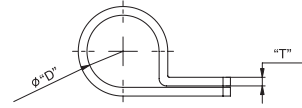
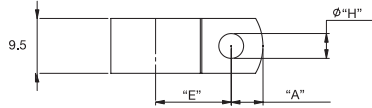


# TWIST TIES AND CABLE CLIPS

## Cable Clamp

SR 2059

N



Part Number			Dimensions (mm)					Standard Pack Quantity
UL94 V2 Nylon 6/6, RMS-01		UL94 V0 Nylon 6/6, RMS-19	"D" Holding Ø	"H" Hole Ø	"E" Ref.	"T" Ref.	"A" Ref.	
Natural	Black	Natural	1.6	3.2	6.7	1.1	5.5	1000
N-1	N-1-BK	N-1-19	1.6	3.2	6.7	1.1	5.5	1000
N-2E	N-2E-BK	N-2E-19	3.2	4.4	9.2	1.4	4.8	1000
N-3E	N-3E-BK	N-3E-19	4.8	4.4	10.0	1.3	5.5	1000
N-4E	N-4E-BK	N-4E-19	5.6	4.4	10.5	1.4	5.5	1000
N-5E	N-5E-BK	N-5E-19	7.2	4.4	10.5	1.4	6.6	1000
N-6E	N-6E-BK	N-6E-19	10.0	4.4	12.3	1.4	6.0	1000
N-7E	N-7E-BK	N-7E-19	11.1	4.4	12.0	1.5	6.0	1000
N-8E	N-8E-BK	-	12.5	4.4	13.0	1.5	5.5	1000

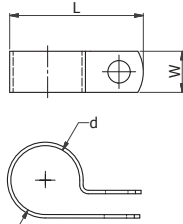
## P Clips

SR 1790

Nylon 6.6

- Easy to install
- Ideal for holding cables, tubes and pipes

- Flammability rating UL94 V2
- Screw fixing hole diameter 4.6 mm

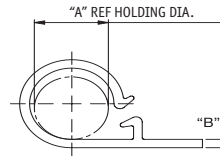
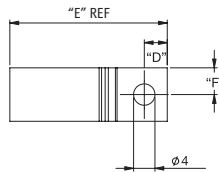


Part Number		Max Cable Diameter (mm)	Dimensions (mm)		Standard Pack Quantity
Natural	Black		L	W	
460275	468552	3.20	19.8	9.60	100
460276	468553	4.80	19.8	9.60	100
460277	468554	6.35	22.0	10.0	100
460278	468555	7.90	20.0	10.0	100
460279	468556	9.50	24.0	12.0	100
460280	468557	12.70	31.0	12.0	100
460281	468558	15.80	34.3	12.0	100
460282	468559	19.40	35.0	12.0	100
460283	468560	25.40	43.0	12.0	100
460284	468561	27.50	50.0	12.0	100
460285	468562	31.80	46.2	12.0	100
460286	468563	36.70	50.0	12.0	100

## Wire Harness Clamp

SR 2060

EXWHC



Part Number		Dimensions (mm)						Colour	Standard Pack Quantity
Nylon 6/6, RMS-01	UL94 V0 Nylon 6/6, RMS-19	"A" Holding Ø	"B"	"C"	"D"	"E"	"F"		
EXWHC2-250-01*	EXWHC2-250-19*	6.35	1	10	6	21	5	Natural	1000
EXWHC2-500-01	EXWHC2-500-19	12.7	1.6	10	4.7	30	5	Natural	1000
EXWHC2-750-01	EXWHC2-750-19	18	1.8	12.7	4.7	35	6.35	Natural	1000
EXWHC2-250-01BK*	-	6.35	1	10	6	21	5	Black	1000
EXWHC2-500-01BK	-	12.7	1.6	10	4.7	30	5	Black	1000
EXWHC2-750-01BK	-	18	1.8	12.7	4.7	35	6.35	Black	1000

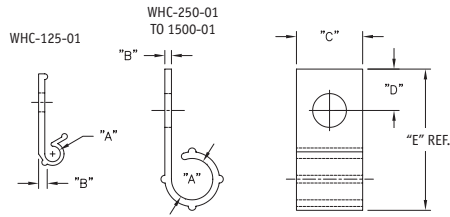
\*Is not provided with latch feature

## Wire Harness Clamp

SR 2062

WHC

Natural



Part Number		Dimensions (mm)					Standard Pack Quantity
Nylon 6/6, RMS-01	UL94 V0 Nylon 6/6, RMS-19	"A" Ø	"B"	"C"	"D"	"E"	
WHC-125-01	WHC-125-19	3.2	1.3	8.4	5.8	19.1	1000
WHC-250-01	WHC-250-19	6.4	1.0	10.2	6.4	21.1	1000
WHC-375-01	WHC-375-19	9.5	1.3	10.2	4.8	21.1	1000
WHC-500-01	WHC-500-19	12.7	1.8	10.2	6.4	29.4	1000
WHC-625-01	WHC-625-19	15.9	2.0	12.7	4.8	28.6	1000
WHC-750-01	WHC-750-19	19.1	2.2	12.7	4.8	32.5	1000
WHC-1000-01	WHC-1000-19	25.4	2.2	12.7	4.8	38.9	500
WHC-1500-01	WHC-1500-19	38.1	2.5	12.7	4.8	53.9	500

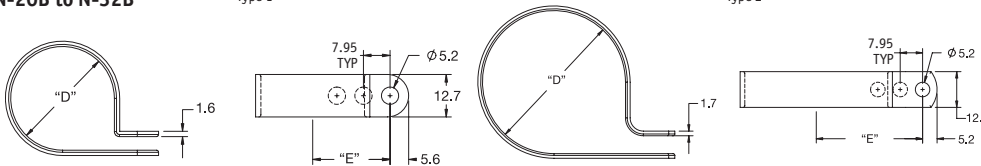
## Adjustable Nylon Cable Clamp

SR 2063

N-20B to N-32B

Type 1

Type 2



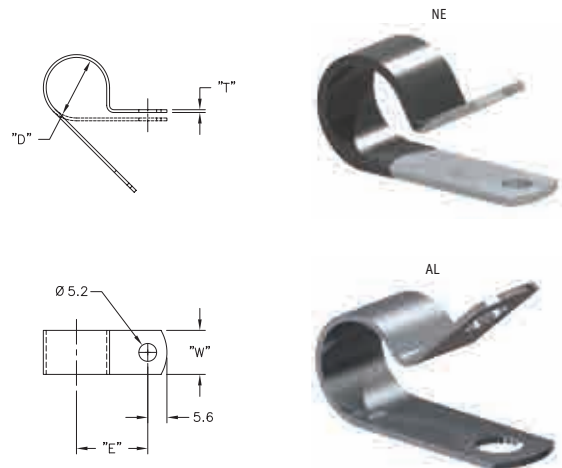
Part Number		Type Number	Dimensions (mm)			Standard Pack Quantity	
Natural UL94 V2 Nylon 6/6, RMS-01	Black UL94 V2 Nylon 6/6, RMS-01		"E"	"D" Holding Ø			
			Inside Hole	Centre Hole	Outside Hole		
N-20B	N-20B-BK	1	23.0	25.4	28.6	30.2	500
N-24B	N-24B-BK	1	26.2	31.8	34.9	37.3	500
N-32B	N-32B-BK	2	36.9	44.5	47.6	50.8	500

## Aluminium Clamp/Aluminium Clamp with Vinyl Coating

SR 2064

AL/NE

Part Number		Dimensions (mm)				Standard Pack Quantity
Aluminium Alloy, 5052 H-32, RMS-194	Aluminum Alloy, 5052 H-32, RMS-199, Coating: Black PVC, RMS-118	"D" Holding Ø	"E"	"T"	"W"	
AL2	-	3.2	11.7	0.8	9.5	1000
AL3	NE3	4.8	12.7	0.8	9.5	1000
AL4	NE4	6.4	13.5	0.8	9.5	1000
AL5	NE5	7.9	14.2	0.8	9.5	1000
AL6	NE6	9.5	15	0.8	9.5	1000
AL7	NE7	11.1	15.7	0.8	9.5	1000
AL8	NE8	12.7	16.5	0.8	9.5	1000
AL9	NE9	14.3	19.1	0.8	9.5	1000
AL10	NE10	15.9	19.8	0.8	9.5	1000
AL11*	NE11	17.5	20.6	1.6	12.7	500
AL12*	NE12	19.1	21.3	1.6	12.7	500
AL14*	NE14	22.2	22.9	1.6	12.7	500
AL16*	NE16	25.4	24.4	1.6	12.7	500
AL18*	NE18	28.6	26.7	1.6	12.7	500
-	NE20	31.8	28.2	1.6	12.7	500



\*RMS-199

# TWIST TIES AND CABLE CLIPS

## Heavy Duty Support Clamp

SR 2065

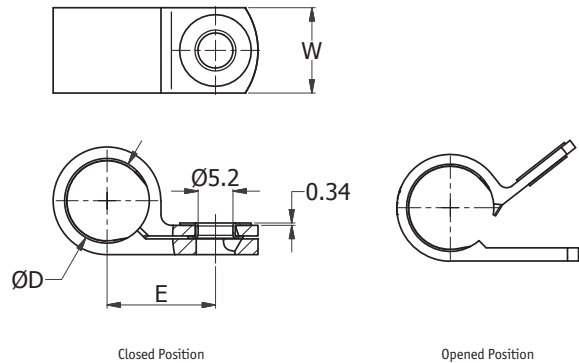
NM – MS25281

Grey Nylon 6.6

Clamp: Natural UL94 V2 Heat Stabilised Nylon;  
conforms to MIL-M-20693/ASTM D-4066

Eyelet: Aluminium anodised in accordance with MIL-A-8625

- Complies with MS-25281
- Strong and durable design built for heavy duty cable applications
- Type 1 has a rib running around the inside of the clamp to grip the bundle
- Type 2 has no rib
- Type 1 is crimped to the top leg
- Type 2's eyelet has legs which protrude all the way through the bottom hole
- Mounted using an M5 screw (recommended)



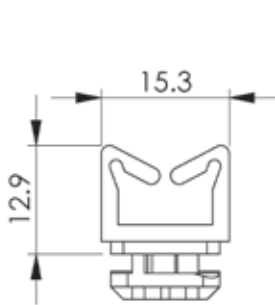
Part Number	MS Part Number	Max Cable Diameter (mm) D	Dimensions (mm)		Type	Standard Pack Quantity
			W	E		
NM-3-R3	MS25281-R3	4.8	12.8	12.3	1	500
NM-4-R4	MS25281-R4	6.4	12.8	13.0	1	500
NM-5-R5	MS25281-R5	7.9	12.8	13.9	1	500
NM-6-R6	MS25281-R6	9.5	12.8	14.7	1	500
NM-7-R7	MS25281-R7	11.1	12.8	15.4	1	500
NM-8-R8	MS25281-R8	12.7	12.8	16.2	1	500
NM-9-R9	MS25281-R9	14.3	12.8	16.8	1	500
NM-10-R10	MS25281-R10	15.9	14.1	17.9	1	500
NM-11-R11	MS25281-R11	17.5	14.1	19.9	1	500
NM-12-R12	MS25281-R12	19.1	14.1	20.7	1	500
NM-13-R13	MS25281-R13	20.6	14.1	21.0	1	500
NM-14-R14	MS25281-R14	22.2	14.1	22.3	1	500
NM-16-R16	MS25281-R16	25.4	14.1	23.9	1	500
NM-18-R18	MS25281-R18	28.6	14.1	25.0	1	500
NM-20-R20	MS25281-R20	31.8	14.1	27.1	1	500
NM-22-R22	MS25281-R22	34.9	14.1	28.2	1	500
NM-24-R24	MS25281-R24	38.1	14.1	29.7	1	500
NM-26-R26	MS25281-R26	41.3	14.1	31.8	1	500
NM-28-R28	MS25281-R28	44.5	14.1	33.0	1	500
NM-3-F3	MS25281-F3	4.8	12.7	12.6	2	500
NM-4-F4	MS25281-F4	6.4	12.7	13.4	2	500
NM-5-F5	MS25281-F5	7.9	12.7	14.2	2	500
NM-6-F6	MS25281-F6	9.5	12.7	15.0	2	500
NM-7-F7	MS25281-F7	11.1	12.7	15.8	2	500
NM-8-F8	MS25281-F8	12.7	12.7	16.6	2	500
NM-10-F10	MS25281-F10	15.9	15.2	19.9	2	500
NM-13-F13	MS25281-F13	20.6	15.2	22.3	2	500

## Extruded Metal Rail Cable Clips

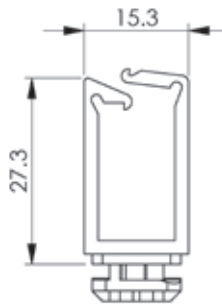
SR 6263

Natural, Glass Reinforced Nylon, UL94-V2

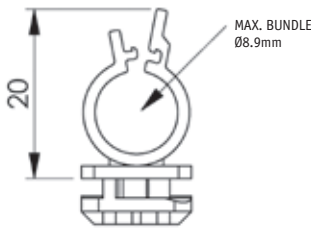
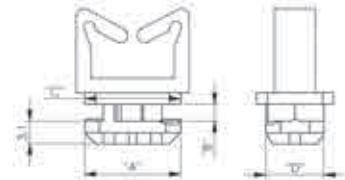
- Several different mounting options
- Pre location for easier mounting
- Available in several channel depths and X rail sizes
- A choice of Twist Locking or Push In installation
- Lightweight



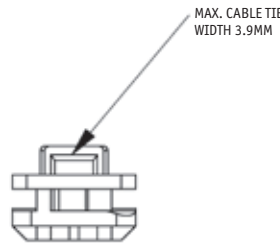
Type 1



Type 2



Type 3



Type 4



Extruded Rail

### Twist Lock

Part Number	Dimensions (mm)				Type	Extruded Rail Sizes	Standard Pack Quantity
	A	B	C	D			
XRC2-WS101	10	1.6	10	5.8	1	20x20	1000
XRC3-WS101	13	2.3	13	7.9	1	30x30	1000
XRC4-WS101	16	6.15	16	9.8	1	40x40	1000
XRC2-LWS01	10	1.6	10	5.8	2	20x20	1000
XRC3-LWS01	13	2.3	13	7.9	2	30x30	1000
XRC4-LWS01	16	6.15	16	9.8	2	40x40	1000
XRC2-WSLT01	10	1.6	10	5.8	3	20x20	1000
XRC3-WSLT01	13	2.3	13	7.9	3	30x30	1000
XRC4-WSLT01	16	6.15	16	9.8	3	40x40	1000
XRC2-TH01	10	1.6	10	5.8	4	20x20	1000
XRC3-TH01	13	2.3	13	7.9	4	30x30	1000
XRC4-TH01	16	6.15	16	9.8	4	40x40	1000

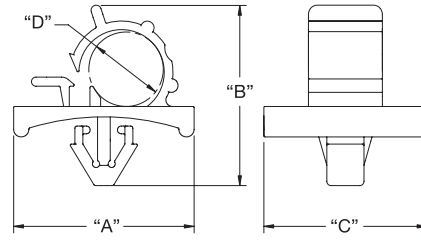
# TWIST TIES AND CABLE CLIPS

## Plug In Locking Clip

SR 2066

PKKL

Natural UL94 V2 Nylon 6/6, RMS-01



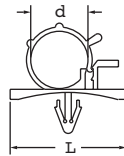
Part Number	Dimensions (mm)						Standard Pack Quantity
	"A"	"B"	"C"	Holding Ø "D"	Mounting Hole Ø	Panel Thickness	
PKKL-3	25.9	23.4	17.0	9.5	6.5	0.8-1.6	200
PKKL-3S	21.1	21.0	19.1	7.8	6.5	0.8-1.6	200
PKKL-4	30.3	32.0	19.4	13.5	6.5	0.8-1.6	100

## Push-In Cable Clamps

SR 1786

Grey Nylon 6.6

- Easy one-push fit
- One size fits a range of cable diameters
- Flammability rating UL94 V2
- One standard panel hole diameter of 4.8mm

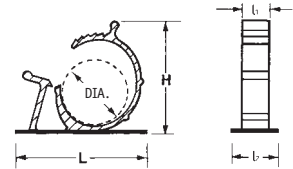


Part Number	Cable Diameter (mm) d	Dimensions (mm)		Standard Pack Quantity
		L		
460311	6-7	25.0		100
460312	7-8	25.0		100
460313	9-10	30.0		100
460314	12-14	30.0		100
460315	16-18	30.0		100

## Cable Clips

SR 1793

Natural Nylon



Part Number	Diameter Range (mm)	Dimensions (mm)				Standard Pack Quantity
		L	L <sub>2</sub>	H	L <sub>1</sub>	
32545	14.7 - 19.1	42.0	25.0	37.0	12.5	100
32546	18.5 - 23.0	41.5	21.5	43.0	11.3	100

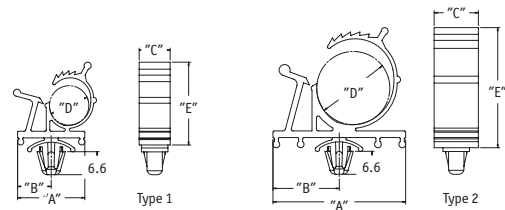
All products include a self-adhesive base

## Plug In Adjustable Clip

SR 2067

PAKKL

Natural



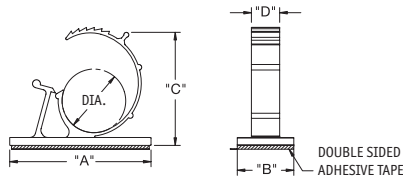
UL94V2, RMS-01	UL94 V0, RMS-19	Type	Dimensions (mm)						Standard Pack Quantity	
			"A"	"B"	"C"	"D" Holding Ø	"E"	Mounting Hole Ø		Mounting Hole Panel Thickness
PAKKL-3140-01	PAKKL-3140-19	1	19.1	9.7	8.9	7.9 - 10.2	23.8	6.35	0.8 - 1.5	100
PAKKL-4756-01	PAKKL-4756-19	1	31.5	15.7	10.2	11.9 - 14.3	29.8	6.35	0.8 - 1.5	100
PAKKL-5775-01	PAKKL-5775-19	2	38.1	19.1	12.7	14.7 - 19.1	34.5	6.35	0.8 - 1.5	100

## Adjustable Kwik Klip

SR 2068

AKKL

Natural



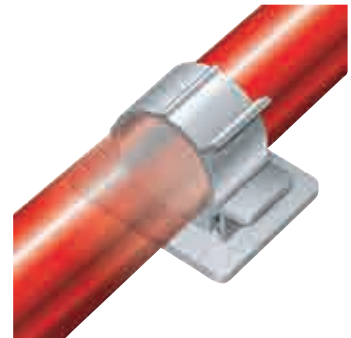
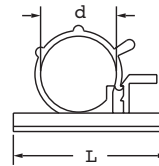
Part Number		Dimensions (mm)						Adhesive	Standard Pack Quantity
UL94 V2 Nylon 6/6, RMS-01	UL94 V0 Nylon 6/6, RMS-19	Bundle Ø Range Ref.	"A"	"B"	"C" Ref.	"D"			
AKKL-2140A-RT	AKKL-2140A-19	5.5 - 6.5	21.6	16.5	18.0	10.0	RMS-136	100	
AKKL-3140A4-RT	AKKL-3140A4-19	7.9 - 10.3	25.4	19.1	22.0	10.2	RMS-324	100	
AKKL-4756A4-RT	AKKL-4756A4-19	11.9 - 14.3	31.8	19.1	27.7	10.2	RMS-324	100	
AKKL-5775A4-RT	AKKL-5775A4-19	14.7 - 19.1	38.1	19.1	31.8	12.7	RMS-324	100	
AKKL-8710A-RT	AKKL-8710A-19	22.2 - 25.4	50.8	25.4	44.5	12.7	RMS-15	100	
AKKL-10112A-RT	AKKL-10112A-19	25.4 - 31.7	63.5	25.4	50.8	12.7	RMS-15	100	
AKKL-2140-01	AKKL-2140-19	5.5 - 6.5	21.6	16.5	18.0	10.0	No Adhesive	100	
AKKL-3140-01	-	7.9 - 10.3	25.4	19.1	22.0	10.2	No Adhesive	100	
AKKL-4756-01	-	11.9 - 14.3	31.8	19.1	27.7	10.2	No Adhesive	100	
AKKL-5775-01	-	14.7 - 19.1	38.1	19.1	31.8	12.7	No Adhesive	100	
AKKL-8710-01	AKKL-8710-19	22.2 - 25.4	50.8	25.4	44.5	12.7	No Adhesive	100	
-	AKKL-10112-19	25.4 - 31.7	63.5	25.4	50.8	12.7	No Adhesive	100	

## Adhesive Cable Clamp

SR 1789

Grey Nylon 6.6

- Flammability rating UL94 V2
- Backed with high-quality adhesive tape



Grey Nylon 6.6

Part Number	Cable Diameter (mm) d	Dimensions (mm)		Standard Pack Quantity
		L		
460306	6-7	25.0		100
460307	7-8	25.0		100
460308	9-10	30.0		100
460309	12-14	30.0		100
460310	16-18	30.0		100

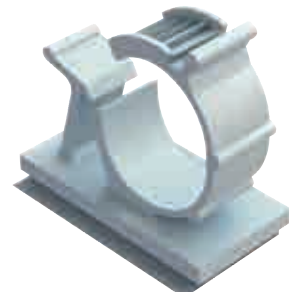
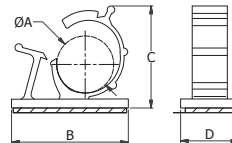
## Side Lock Adhesive Mount Adjustable Clamp

SR 2069

AKKSL

Natural Nylon UL94 V2 Nylon 6/6

- Side locks on top of clamp to prevent clip from sliding open
- Ratcheting clip holds bundle securely in place



Part Number	Dimensions (mm)				Standard Pack Quantity
	A	B	C	D	
AKKSL-8710A-RT	22.2-25.4	50.8	44.5	25.4	100

# KEEPING YOU CONNECTED

- Introducing Essentra Components' new range of Cable Terminals, available in nine different styles
- Cable terminals are ideal for covering wires to keep them intact and providing the best possible connection to your power source
- See pages 346–353



**TUBULAR RING  
TERMINALS**

Page 346



**SPADE  
TERMINALS**

Page 349



**UNINSULATED  
CORD END  
TERMINALS**

Page 350



**INSULATED RING  
TERMINALS**

Page 352



**INSULATED CORD  
END TERMINALS**

Page 353

**Call 0845 758 5070**  
**[www.essentracomponents.co.uk](http://www.essentracomponents.co.uk)**

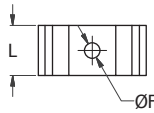
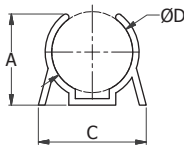
## Screw Mount Component Clip

SR 2070

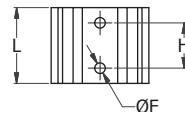
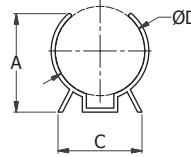
V/VM

Black

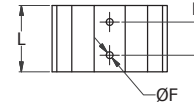
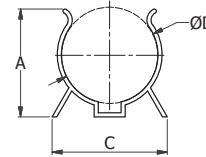
- Legs prevent shifting and tipping
- Mounts securely with screws or rivets
- Holds parts firmly
- VM series have smooth edges which protect the components from wear and abrasion



Type 1



Type 2



Type 3

Part Number		Cable Diameter (mm) D	Mounting Hole Diameter (mm) F	Dimensions (mm)				Adjustability	Number of Holes	Type	Standard Pack Quantity
UL94 V0 PVC	UL94 V0 Nylon 6/6			A	C	H	L				
V-1000	-	6.4	2.4	7.5	12.7	Single hole in centre	12.7	Fixed	1	1	1000
V-1001	-	7.9	2.4	9.1	12.7	Single hole in centre	12.7	Fixed	1	1	1000
V-1002	-	9.5	2.4	10.3	12.7	Single hole in centre	12.7	Fixed	1	1	1000
V-1003	-	11.1	2.4	11.5	13.1	Single hole in centre	12.7	Fixed	1	1	1000
V-1004	-	12.7	2.4	12.7	16.7	Single hole in centre	12.7	Fixed	1	1	1000
V-1005	-	14.3	2.4	15.5	18.3	Single hole in centre	12.7	Fixed	1	1	1000
V-1006	-	15.9	2.4	15.9	21.0	Single hole in centre	12.7	Fixed	1	1	1000
V-1007	-	17.6	4.0	15.9	21.0	Single hole in centre	12.7	Fixed	1	1	1000
V-1008	-	19.7	4.0	19.8	22.6	Single hole in centre	12.7	Fixed	1	1	100
V-1009	-	22.2	4.0	23.0	27.4	Single hole in centre	12.7	Fixed	1	1	100
V-1010	-	25.4	4.0	25.0	28.6	19.1	28.5	Fixed	2	2	100
V-1011	-	34.9	4.0	34.1	31.8	19.1	28.5	Fixed	2	2	100
V-1024	-	38.1	4.0	46.0	36.1	19.1	44.5	Fixed	2	3	100
V-1028	-	44.5	4.0	48.8	38.1	19.1	44.5	Fixed	2	3	100
V-1030	-	2.75-69.9	4.0	61.9	66.3	19.1	38.1	Adjustable	2	3	50
-	VM-1002	9.5	2.8	11.2	13.7	Single hole in centre	12.7	Fixed	1	1	100
-	VM-1004	12.7	2.8	13.2	19.1	Single hole in centre	12.7	Fixed	1	1	100
-	VM-1007	17.5	3.8	19.8	20.8	Single hole in centre	12.7	Fixed	1	1	100
-	VM-1008	19.1	3.8	24.6	24.9	Single hole in centre	12.7	Fixed	1	1	100
-	VM-1010	25.4	3.8	26.1	31.8	19.1	28.4	Fixed	2	2	100
-	VM-1011	34.9	3.8	38.4	34.8	19.1	29.5	Fixed	2	2	100
-	VM-1024	38.1	3.8	42.4	38.1	19.1	43.2	Fixed	2	2	100
-	VM-1030	57.2	3.8	63.5	76.2	19.1	38.6	Fixed	2	3	100



# TWIST TIES AND CABLE CLIPS

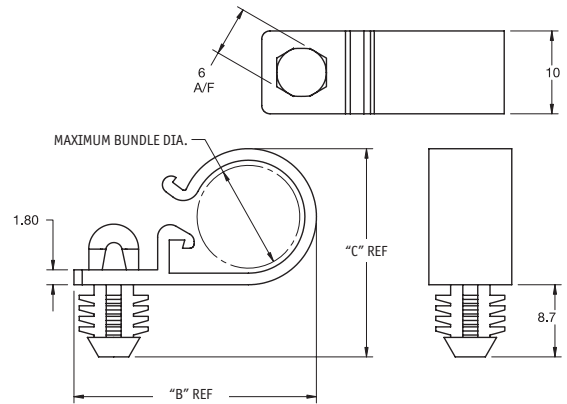
## Blind Hole Mounted Clip

SR 2071

BHLWHC

Natural Nylon 6/6, RMS-01

- Easily pushed into mounting hole using a standard 6mm hexagonal socket pressed onto the mounting head



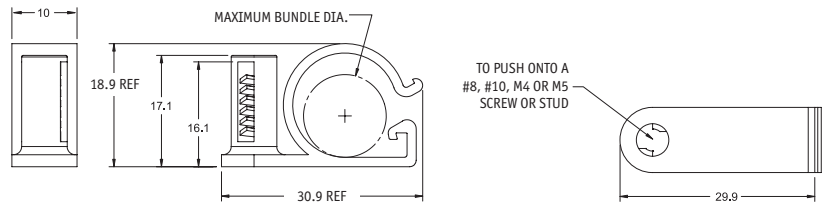
Part Number	Dimensions (mm)					Standard Pack Quantity
	Maximum Bundle Ø	Mounting Hole Ø	Dimension "B"	Dimension "C"	Panel Thickness	
BHLWHC-500-01	12.7	7.92 ± 0.05	29.3	25.4	6.35 Min.	1000
BHLWHC-750-01	19.1	7.92 ± 0.05	36.5	34.1	6.35 Min.	1000

## Stud Mount Clamp

SR 2072

SMWHC

Natural UL94 V-2 Nylon 6/6, RMS-01

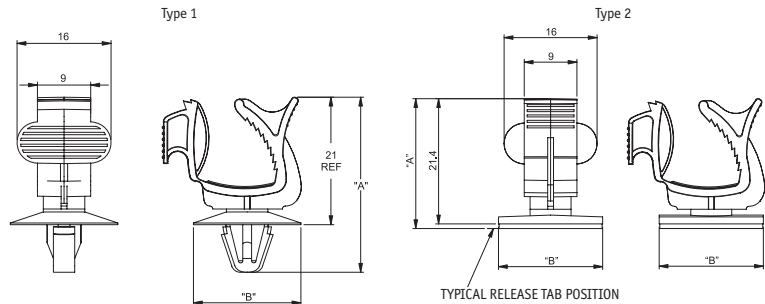


Part Number	"A" Max. Holding Ø (mm)	Standard Pack Quantity
SMWHC-500-01	12.7	500

## Webbed Adjustable Clip

SR 2073

WAC



Part Number		Type	"A" (mm)	"B" (mm)	Mounting Method	Cable Bundle Ø	Standard Pack Quantity
Natural UL94 V-2 Nylon 6/6, RMS-01	Black UL94 V-2 UV Stabilised Nylon 6/6, RMS-46						
WAC1-01	WAC1-UVB	1	26.5	18.4	Snap lock 4 - 4.8 Ø hole, 0.5-1.6 panel thickness	3-8.5	500
WAC2-01*	WAC2-UVB	1	29.5	18.4	Snap lock 6 - 6.8 Ø hole, 0.5-2.5 panel thickness	3-8.5	1000
WAC3-01A4-RT	-	2	22.2	17.8	0.8 Thick double sided adhesive tape, RMS-324	3-8.5	1000

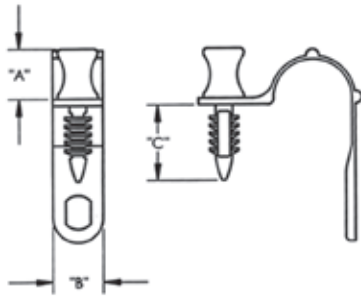
\*Standard pack quantity 500

## Quick Install Cable Clamps

SR E-0014

Natural PA 6.6

- Fits a 4.76 mm hole



Part Number	Dimensions (mm)				Standard Pack Quantity
	Bundle Diameter	A	B	C	
22QCC187250	6.35	9.53	9.53	13.41	1000
22QCC187312	7.94	9.53	9.53	13.41	1000
22QCC187375	9.53	9.53	9.53	13.41	1000
22QCC187437	11.1	9.53	9.53	13.41	1000

**TRY** BEFORE YOU  
BUY – REQUEST  
YOUR **FREE**  
SAMPLES TODAY

Call **0845 758 5070** or visit  
[www.essentracomponents.co.uk](http://www.essentracomponents.co.uk)

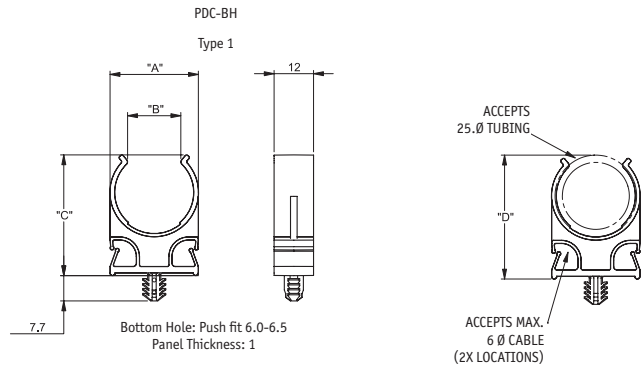
# WIRE SADDLES

## Dual Cable and Pipe Clip

SR 2077

PDC/PDCBH

Natural UL94 V2 Nylon 6/6, RMS-01

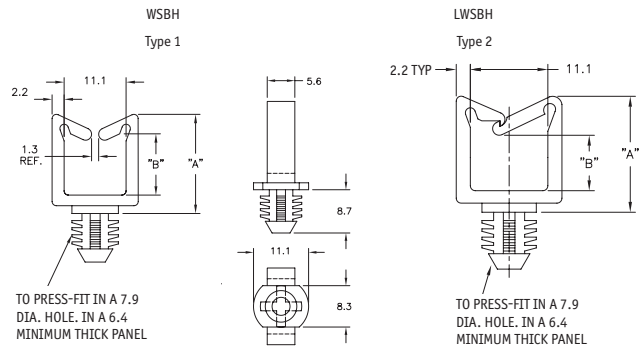


Part Number	Type	Dimensions (mm)				Standard Pack Quantity
		"A"	"B"	"C"	"D"	
PDCBH-1-01	1	27	16	36.7	37.7	500

## Wire Saddle with Blind Hole Mount

SR 2078

WSBH/LWSBH

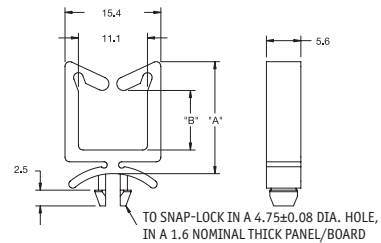


Part Number		Type	"A" (mm)	"B" (mm)	Standard Pack Quantity
UL94 V2 Nylon 6/6, RMS-01	UL94 V0 Nylon 6/6, RMS-19				
WSBH-1-01	WSBH-1-19	1	13.2	4.8	1000
WSBH-2-01	WSBH-2-19	1	18.0	9.7	1000
WSBH-3-01	WSBH-3-19	1	27.2	18.8	1000
WSBH-4-01	WSBH-4-19	1	35.0	26.7	1000
LWSBH-1-01	LWSBH-1-19	2	13.2	3.6	1000
LWSBH-2-01	LWSBH-2-19	2	18.0	8.4	1000
LWSBH-3-01	-	2	27.2	17.5	1000
LWSBH-4-01	LWSBH-4-19	2	35.0	25.4	1000

## Wire Saddle

SR 2079

WS



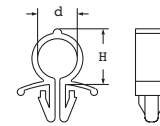
Part Number		Type	"A" (mm)	"B" (mm)	Standard Pack Quantity
UL94 V2 Nylon 6/6, RMS-01	UL94 V0 Nylon 6/6, RMS-19				
WS-1-01	WS-1-19	1	13.2	4.8	1000
WS-2-01	WS-2-19	1	18.0	9.7	1000
WS-3-01	WS-3-19	1	27.2	18.8	1000
WS-4-01	WS-4-19	1	35.0	26.7	1000

## Push-In Wire Saddles

SR 1783

Natural Nylon 6.6

- Easy one-push fit
- One size fits a range of cable diameters
- Choice of four styles
- Flammability rating UL94-V2



Type 1

### Type 1 (Omega Clip)

Part Number	Mounting Hole (mm)	Dimensions (mm)		Panel Thickness (mm)	Standard Pack Quantity
		d	H		
460319	6.2	7.5	11.0	2.0	100

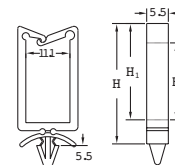
Fits 6.2mm panel hole.

- Permanent retention of cable close to fixing point

### Type 3 (Square/Rectangular Locking Wire Saddle)

Part Number	Mounting Hole (mm)	Dimensions (mm)			Panel Thickness (mm)	Standard Pack Quantity
		H	H1	H2		
460321	4.8	12.7	9.2	2.8	2.0	100
497649	4.8	12.7	9.2	4.0	2.0	500
497636	4.8	17.9	11.4	8.6	2.0	500
497639	4.8	26.9	23.4	18.2	2.0	500
460325	4.8	34.8	31.3	26.2	2.0	100
460324	4.8	18.0	15.7	12.5	2.0	100
497650	4.8	34.8	31.3	26.2	2.0	500

All sizes fit 4.8mm panel hole.



Type 3

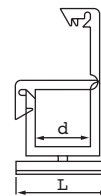
- Range of sizes to accommodate a number of cables or cable sizes

## Adhesive Wire Saddles

SR 1784

Natural Nylon 6.6

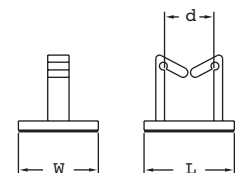
- Strong adhesion for quick and easy installation
- One size fits a range of cable diameters
- Flammability rating UL94-V2



Type 1



Type 2



Type 3

Part Number	Type	Dimensions (mm)			Standard Pack Quantity
		d	W	L	
460316	1	11.2	19.8	20.0	100
460317	2	8.5	16.0	29.8	100
460318	3	11.3	18.3	20.7	100

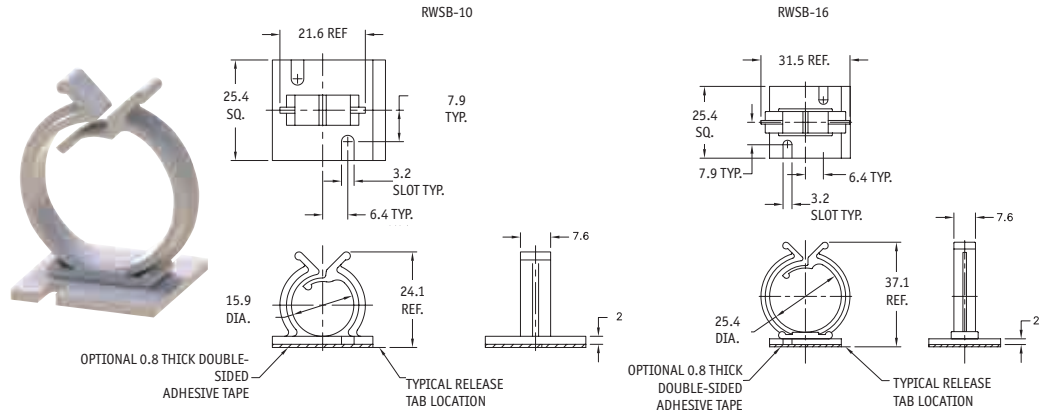
# WIRE SADDLES

## Round Wire Saddle on Base

SR 2080

RWSB

Natural Adhesive Back, RMS-15

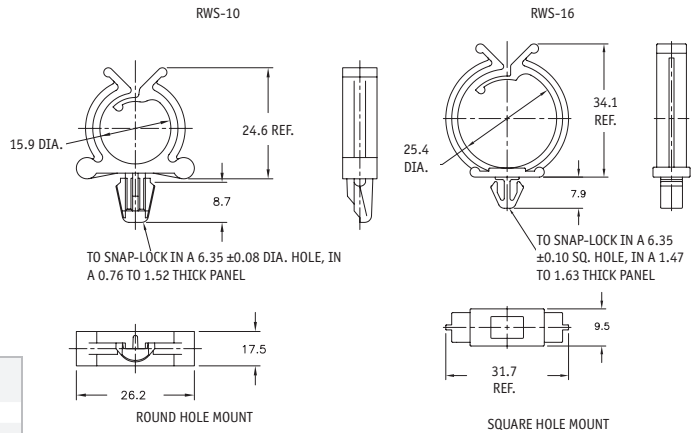


RWSB-10		RWSB-16		Material	Standard Pack Quantity
W/O Tape	With Tape	W/O Tape	With Tape		
RWSB-10-01	RWSB-10-01A-RT	RSWB-16-01	RWSB-16-01A-RT	Nylon 6/6, RMS-01	1000
RWSB-10-19	RWSB-10-19A-RT	RSWB-16-19	-	UL94 V-0 Nylon 6/6, RMS-19	1000

## Round Wire Saddle

SR 2081

RWS



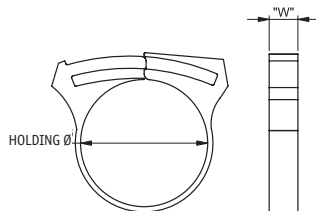
Natural Nylon 6/6, RMS-01	Black Nylon 6/6, RMS-01	Natural UL94 V0 Nylon 6/6, RMS-19	Standard Pack Quantity
RWS-10-01	RWS-10-01BK	RWS-10-19	1000
RWS-16-01	RWS-16-01BK	RWS-16-19	1000

## Snap-It Hose Clamp

SR 2082

SHCE

Black Nylon 6/6, RMS-437



Hose clamp is black

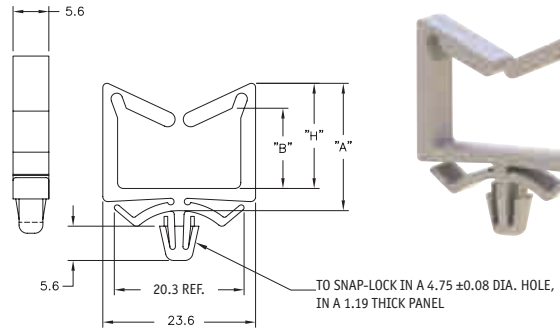
Part Number	Holding Ø	"W"	Standard Pack Quantity
135010159902	6.6-8	5	100
135010259902	8-9.2	5	100
135010359902	9.2-10.5	5	100
135010459902	10.2-12	6	100
135010559902	12-13.5	6	100
135010659902	12.8-15	7	100
135010759902	15-17.2	7	100
135010859902	17-18.5	7	100
135010959902	18.2-20.5	7	100
135011059902	20.5-23	7	100
135011159902	22-25	7	100
135011259902	25-28	7	100
135011359902	27-30	7.5	100
135011459902	29.5-32.5	7.5	100
135011559902	32.5-35.5	8	100
135011659902	35-38	8	100
135011759902	38-41.5	8	50
135011859902	41-44.5	8	50
135011959902	44-47.5	8	50
135012059902	47-50.5	8	50

## Wide Wire Saddle

SR 2083

WWS

UL94 V2 Nylon 6/6, RMS-01	UL94 V0 Nylon 6/6, RMS-19	"A"	"B"	"H"	Standard Pack Quantity
WWS-A-2-01	WWS-A-2-19	19.6	12.7	16.3	1000
WWS-A-3-01	WWS-A-3-19	28.5	21.6	25.2	1000



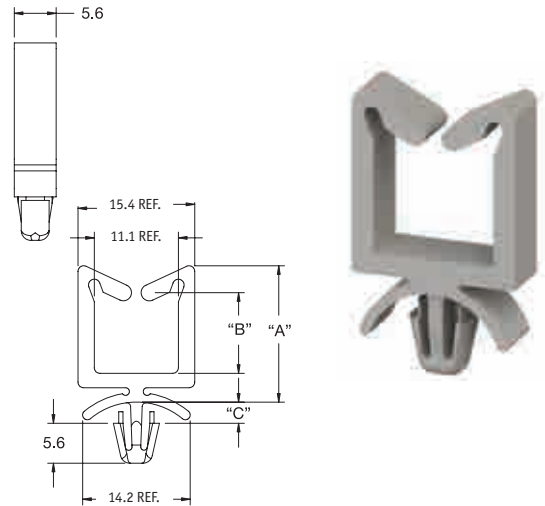
## Wire Saddle, Arrowhead Mount

SR 2084

WS-A

Natural

Part Number		"A"	"B"	"C"	Mounting Hole Ø	Panel Thickness	Standard Pack Quantity
UL94 V2 Nylon 6/6, RMS-01	UL94 V0 Nylon 6/6, RMS-19						
WS-A-1-01	WS-A-1-19	13.2	4.8	2.8	4.75	1.6	1000
WS-A-2-01	WS-A-2-19	18.0	9.7	2.8	4.75	1.6	1000
WS-A-3-01	WS-A-3-19	27.2	18.8	2.8	4.75	1.6	1000
WS-A-4-01	WS-A-4-19	35.0	26.7	2.8	4.75	1.6	1000
WS-A-2-1-01	WS-A-2-1-19	13.2	4.8	3.8	4.75	3.2	1000
WS-A-2-2-01	WS-A-2-2-19	18.0	9.7	3.8	4.75	3.2	1000
WS-A-2-3-01	WS-A-2-3-19	27.2	18.8	3.8	4.75	3.2	1000
WS-A-2-4-01	WS-A-2-4-19	35.0	26.7	3.8	4.75	3.2	1000



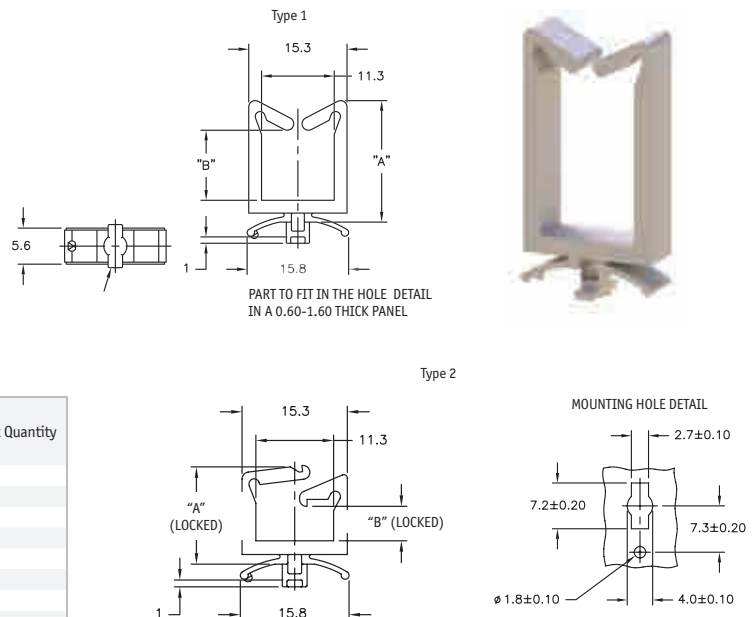
## Wire Saddle, Quarter Turn

SR 2085

WS-9/LWS-9

Natural

Part Number		Type	"A" (mm)	"B" (mm)	Standard Pack Quantity
UL94 V2 Nylon 6/6, RMS-01	UL94 V0 Nylon 6/6, RMS-19				
WS-9-1-01	WS-9-1-19	1	13.0	4.8	1000
WS-9-2-01	WS-9-2-19	1	17.8	10.0	1000
WS-9-3-01	-	1	26.9	19.1	1000
WS-9-4-01	WS-9-4-19	1	34.8	27.2	1000
LWS-9-1-01	-	2	13.0	3.8	1000
LWS-9-2-01	LWS-9-2-19	2	18.0	9.8	1000
LWS-9-3-01	-	2	27.2	19.0	1000
LWS-9-4-01	-	2	35.1	26.8	1000



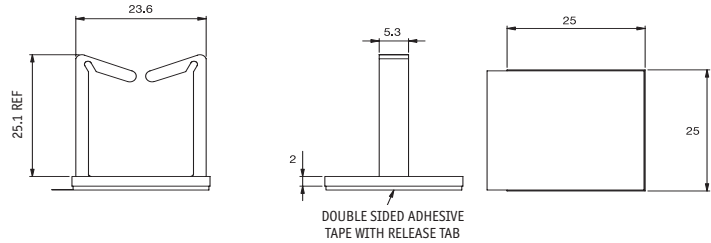
# WIRE SADDLES

## Wire Saddle on Adhesive Base

SR 2086

WWSB

Natural Nylon 6/6, RMS-148 Double Adhesive Back, RMS-324



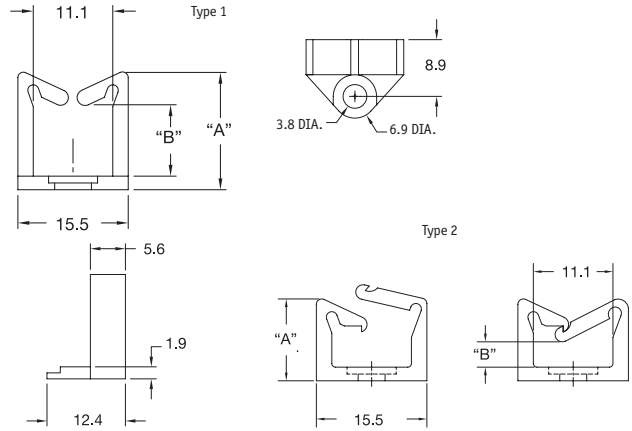
Part Number	Standard Pack Quantity
WWSB-3-148A-RT	500

## Wire Saddle- Snap Rivet Mount

SR 2087

WS-SR/LWS-SR

Natural



Part Number		Type	Dimensions (mm)			Standard Pack Quantity
Nylon 6/6, RMS-01	UL94 V0 Nylon 6/6, RMS-19		"A"	"B"	Mounting Hole Ø	
WS-SR-1-01	WS-SR-1-19	1	11.4	4.3	3.6 - 3.7	1000
WS-SR-2-01	WS-SR-2-19	1	16.3	9.1	3.6 - 3.7	1000
WS-SR-3-01	-	1	25.4	18.5	3.6 - 3.7	1000
WS-SR-4-01	WS-SR-4-19	1	33.3	26.4	3.6 - 3.7	1000
LWS-SR-1-01	LWS-SR-1-19	2	11.4	3.6	3.6 - 3.7	1000
LWS-SR-2-01	LWS-SR-2-19	2	16.3	8.6	3.6 - 3.7	1000
LWS-SR-3-01	LWS-SR-3-19	2	25.4	18.3	3.6 - 3.7	1000
-	LWS-SR-4-19	2	33.3	25.4	3.6 - 3.7	1000

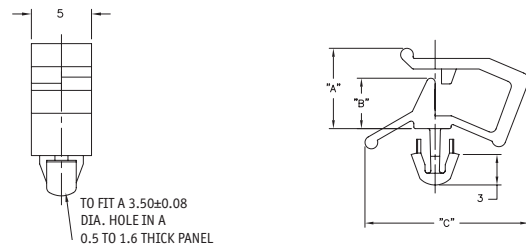
Use Richco Rivet Number	For Chassis Thickness Range (mm)	Standard Pack Quantity
SR-3535	0.3-1.2	1000
SR-3545	1.2-2.1	1000
SR-3550	1.8-2.7	1000
SR-3555	2.1-3	1000
SR-3560	2.8-3.7	1000
SR-3570	3.6-4.6	1000
SR-3580	4.6-5.6	1000

## Wire Saddle, Side Entry

SR 2088/89

WS-SE1

Natural

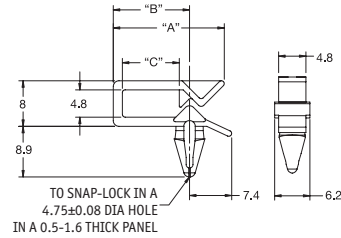


Part Number		Dimensions (mm)			Standard Pack Quantity
UL94 V2 Nylon 6/6, RMS-01	UL94 V0 Nylon 6/6, RMS-19	"A"	"B"	"C"	
WS-SE1-1-01	WS-SE1-1-19	4.8	2.4	12.7	1000
WS-SE1-2-01	-	6.7	4.2	15.1	1000
WS-SE1-3-01	WS-SE1-3-19	8.5	5.7	20.3	1000

### Wire Saddle, Side Entry

SR 2090  
WS-SE2  
Natural

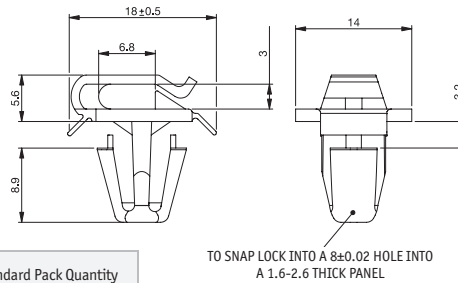
Part Number		Dimensions (mm)			Standard Pack Quantity
UL94 V2 Nylon 6/6, RMS-01	UL94 V0 Nylon 6/6, RMS-19	"A"	"B"	"C"	
WS-SE2-1-01	-	16.6	10.5	7.1	1000
WS-SE2-2-01	WS-SE2-2-19	19.5	13.4	10.0	1000



### Wire Saddle, Side Entry

SR 1991  
WS-SE3  
Natural

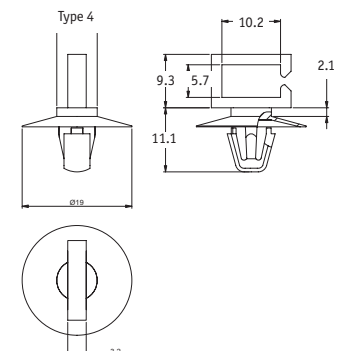
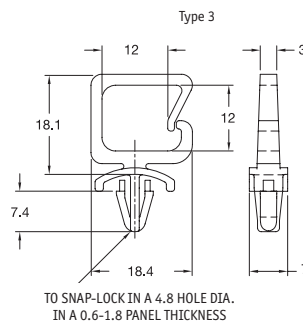
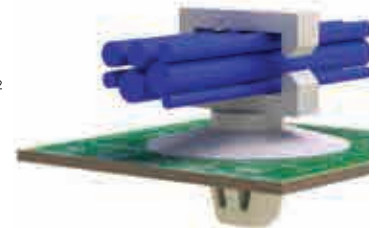
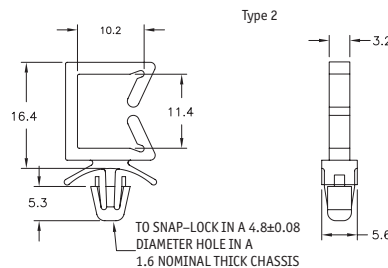
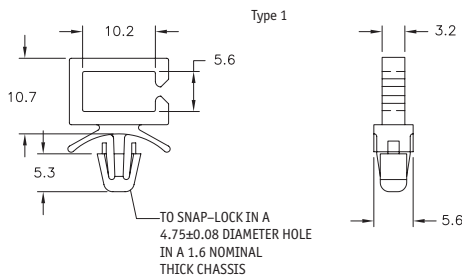
Part Number		Standard Pack Quantity
UL94 V2 Nylon 6/6, RMS-01	UL94 V0 Nylon 6/6, RMS-19	
WS-SE3-1-01	WS-SE3-1-19	1000



### Wire Saddle, Side Entry

SR 2092  
WS-SE-A  
Natural

Part Number		Type	Standard Pack Quantity
UL94 V2 Nylon 6/6, RMS-01	UL94 V0 Nylon 6/6, RMS-19		
WS-SE-A-1-01	WS-SE-A-1-19	1	1000
WS-SE-A-2-01	WS-SE-A-2-19	2	1000
WS-SE-A-3-01	WS-SE-A-3-19	3	1000
WS-SE-A-4-01	WS-SE-A-4-19	4	1000





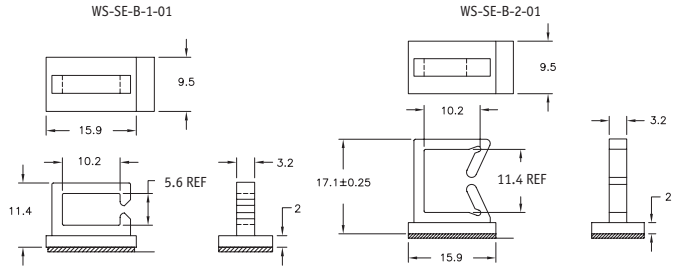
# WIRE SADDLES

## Side Entry Wire Saddle on Adhesive Base

SR 2093

WS-SE-B

Natural UL94 V2 Nylon 6/6, RMS-01



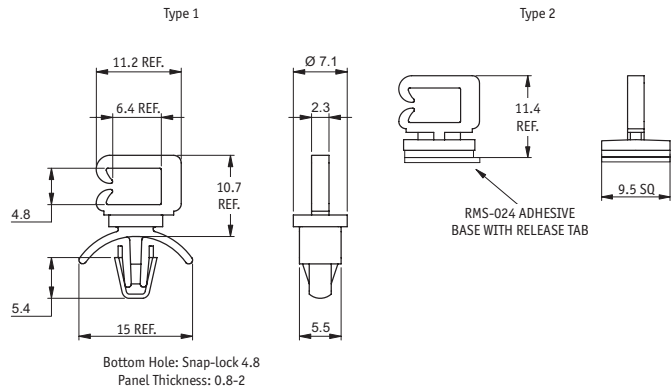
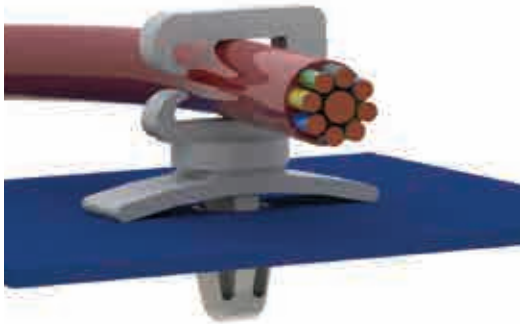
Part Number	Adhesive	Standard Pack Quantity
WS-SE-B-1-01A	Acrylic, RMS-15	1000
WS-SE-B-2-01A	Acrylic, RMS-15	1000

## Wire Saddle – Side Entry

SR 2094

WS-SE-C

Natural UL94 V0 Nylon 6/6, RMS-19



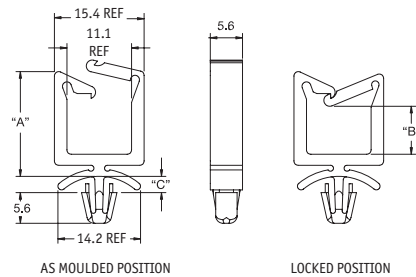
Part Number	Type	Standard Pack Quantity
WS-SE-C-1-19	1	1000
WS-SE-C-1-19A	2	1000

## Locking Wire Saddle, Arrowhead Mount

SR 2095

LWS-A

Natural



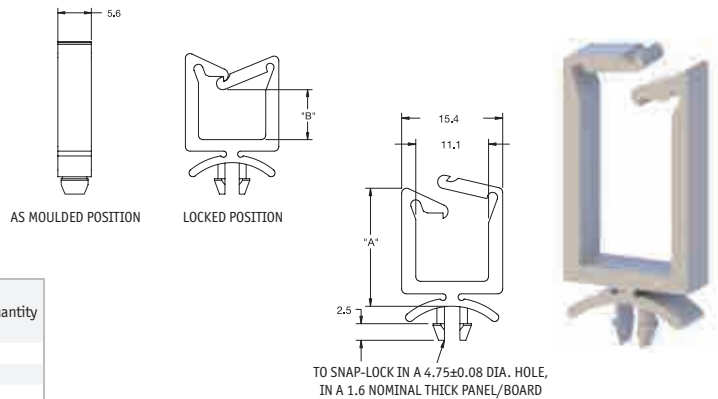
Part Number		Dimensions (mm)					Standard Pack Quantity
UL94 V2 Nylon 6/6, RMS-01	UL94 V0 Nylon 6/6, RMS-19	"A"	"B"	"C"	Mounting Hole Ø	Panel Thickness	
LWS-A-1-01	LWS-A-1-19	13.2	3.6	2.8	4.75	1.6	1000
LWS-A-2-01	LWS-A-2-19	18.0	8.4	2.8	4.75	1.6	1000
LWS-A-3-01	LWS-A-3-19	27.2	17.5	2.8	4.75	1.6	1000
LWS-A-4-01	LWS-A-4-19	35.0	25.4	2.8	4.75	1.6	1000
LWS-A-2-1-01	LWS-A-2-1-19	13.2	3.6	3.8	4.75	3.2	1000
LWS-A-2-2-01	LWS-A-2-2-19	18.0	8.4	3.8	4.75	3.2	1000
LWS-A-2-3-01	LWS-A-2-3-19	27.2	17.5	3.8	4.75	3.2	1000
LWS-A-2-4-01	LWS-A-2-4-19	35.0	25.4	3.8	4.75	3.2	1000

## Locking Wire Saddle

SR 2096

LWS

Natural

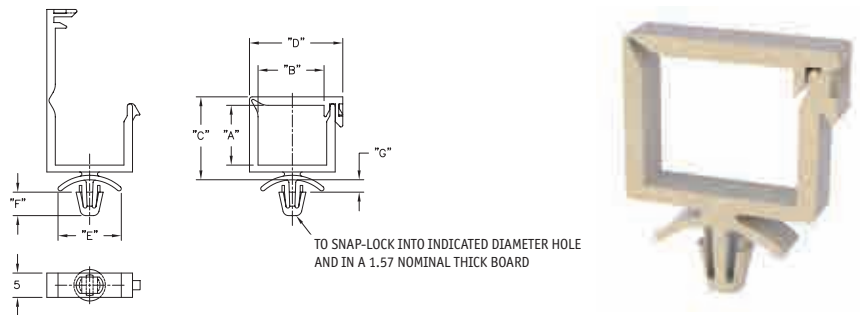


Part Number		"A" (mm)	"B" (mm)	Standard Pack Quantity
UL94 V2 Nylon 6/6, RMS-01	UL94 V0 Nylon 6/6, RMS-19			
LWS-1-01	LWS-1-19	13.2	3.6	1000
LWS-2-01	LWS-2-19	18.0	8.4	1000
LWS-3-01	LWS-3-19	27.2	17.5	1000
LWS-4-01	LWS-4-19	35.0	25.4	1000

## Wire Saddle, Locking Top

SR 2097

WSLT

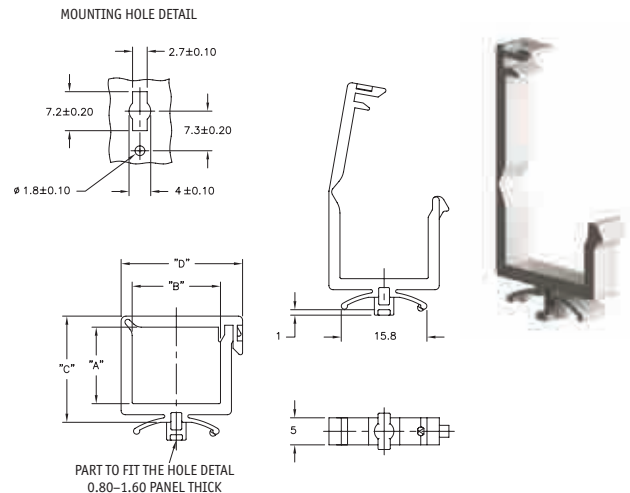


Natural Nylon 6/6, RMS-01	Natural UL94 V0 Nylon 6/6, RMS-19	Dimensions (mm)								Hole $\varnothing \pm 0.08$	Standard Pack Quantity
		"A"	"B"	"C"	"D"	"E"	"F"	"G"			
WSLT-3.5-2-1-01	WSLT-3.5-2-1-19	3.4	13.5	8.9	19.6	9.5	3.0	2.5	3.5	1000	
WSLT-02-1-01	WSLT-02-1-19	3.4	13.5	9.4	19.6	14.3	5.6	2.8	4.75	1000	
WSLT-01A-01	WSLT-01A-19	4.8	10.7	10.6	16.8	14.3	5.6	2.8	4.75	1000	
WSLT-01-2-01	WSLT-01-2-19	8.8	10.7	14.6	16.8	14.3	5.6	2.8	4.75	1000	
WSLT-02A-01	WSLT-02A-19	10.0	16.3	15.8	22.4	14.3	5.6	2.8	4.75	1000	
WSLT-03-2-01	WSLT-03-2-19	14.1	16.3	19.6	22.4	14.3	5.6	2.8	4.75	1000	
WSLT-03-3-01	WSLT-03-3-19	21.7	18.0	27.3	24.1	14.3	5.6	2.8	4.75	1000	

## Wire Saddle, Locking Top Quarter-Turn Base

SR 2098

WSLT-9



Part Number		Dimensions (mm)				Standard Pack Quantity
Natural Nylon 6/6, RMS-01	Natural UL94 V0 Nylon 6/6, RMS-19	"A"	"B"	"C"	"D"	
WSLT-9-01A-01	WSLT-9-01A-19	4.8	10.7	10.2	16.8	1000
WSLT-9-01-2-01	WSLT-9-01-2-19	9.1	10.7	14.4	16.8	1000
-	WSLT-9-02-1-19	3.6	13.5	9.1	19.6	1000
WSLT-9-02A-1-01	WSLT-9-02A-1-19	10	16.3	15.2	22.4	1000
WSLT-9-03-2-01	WSLT-9-03-2-19	14.1	16.3	19.2	22.4	1000
WSLT-9-03-3-01	-	21.7	18	26.8	24.1	1000

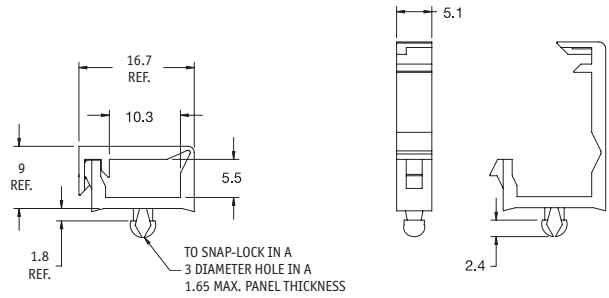
# WIRE SADDLES

## Wire Saddle Locking Top Teardrop

SR 2099

WSLT-T

Natural UL94 V0 Nylon 6/6, RMS-19



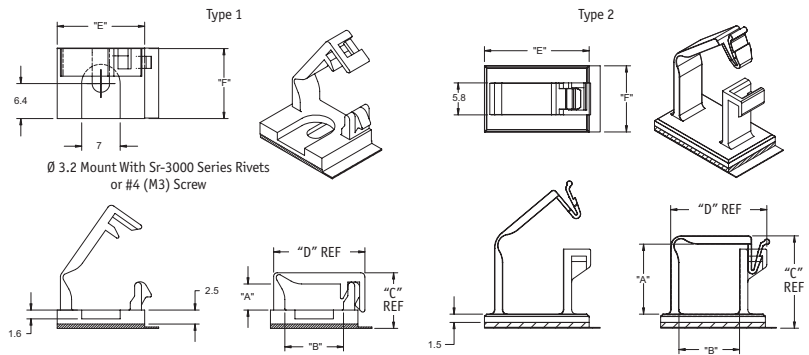
Part Number	Standard Pack Quantity
WSLT-T-01A-19	1000

## Wire Saddle Locking Top on Base

SR 2100

WSLTB

Natural UL94 V0 Nylon, 6/6, RMS-19; Adhesive back, RMS-15



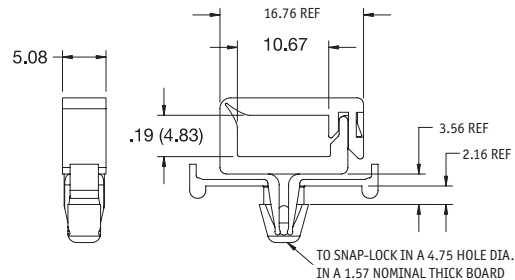
Part Number	Type	Dimensions (mm)						Mounting Method	Standard Pack Quantity
		"A"	"B"	"C"	"D"	"E"	"F"		
WSLTB-01A-19A	1	4.8	10.7	10.4	16.8	16.0	12.7	Acrylic Adhesive, RMS-15	1000
WSLTB-01A-19	1	4.8	10.7	9.6	16.8	16.0	12.7	Any *SR-3XXX rivet or #4 or M3 screw	1000
WSLTB-02A-19A	1	10.0	16.3	15.5	22.4	21.5	12.7	Acrylic Adhesive, RMS-15	1000
WSLTB-02A-19	1	10.0	16.3	14.7	22.4	21.5	12.7	Any *SR-3XXX rivet or #4 or M3 screw	1000
WSLTB-03A-19A	2	12.7	11.0	16.8	17.5	19.0	12.0	Acrylic Adhesive	1000

## Wire Saddle with Releasable Arrowhead

SR 2101

WSLTRA-1-01

Natural Nylon 6/6, RMS-01



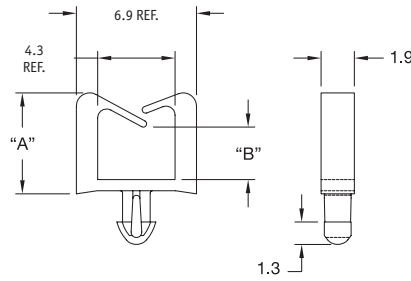
Part Number	Standard Pack Quantity
WSLTRA-1-01	1000

### Micro Wire Saddle

SR 2102

MWS

Natural



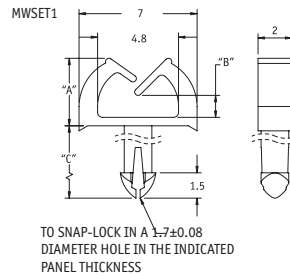
Part Number		Dimensions (mm)				Standard Pack Quantity
UL94 V2 Nylon 6/6, RMS-01	UL94 V0 Nylon 6/6, RMS-19	"A"	"B"	Mounting Hole Ø	Panel Thickness	
MWS-1-01	MWS-1-19	5.8	3.0	1.75	1.57	1000
MWS1-1-01	MWS1-1-19	5.8	3.0	1.75	2.36	1000
-	MWS-2-19	11.2	8.5	1.75	1.60	1000
-	MWS-3-19	11.2	8.5	1.75	2.20	1000

### Micro Wire Saddle

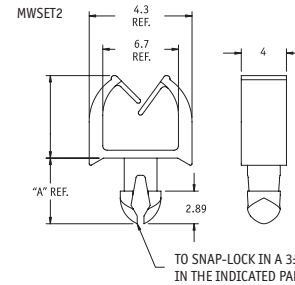
SR 2103

MWSET

Natural



TO SNAP-LOCK IN A 3-7±0.08 DIAMETER HOLE IN THE INDICATED PANEL THICKNESS



TO SNAP-LOCK IN A 3±0.05 HOLE DIAMETER IN THE INDICATED PANEL THICKNESS



Part Number		Dimensions (mm)				Standard Pack Quantity
Nylon 6/6, RMS-01	UL94 V0 Nylon, 6/6, RMS-19	"A"	"B"	"C"	Panel Thickness	
MWSET1-1-01	MWSET1-1-19	4	0.9	3.3	1.6	1000
MWSET1-2-01	MWSET1-2-19	6	2.9	3.3	1.6	1000
MWSET1-1-1-01	MWSET1-1-1-19	4	0.9	4.1	2.4	1000
MWSET1-2-1-01	MWSET1-2-1-19	6	2.9	4.1	2.4	1000

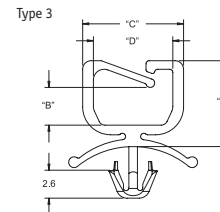
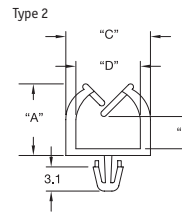
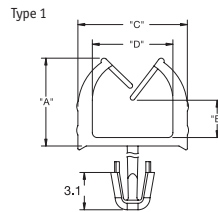
Part Number		Dimensions (mm)		Standard Pack Quantity
Nylon 6/6, RMS-01	UL94 V0 Nylon, 6/6, RMS-19	"A"	Panel Thickness	
MWSET2-1-01	MWSET2-1-19	4.29	1-1.2	1000
MWSET2-2-01	MWSET2-2-19	4.79	1.2-1.6	1000

### Micro Wire Saddle

SR 2104

MWSEA

Natural

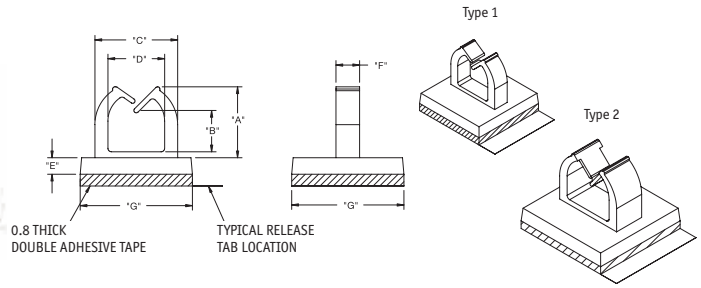


Part Number		Type	Dimensions (mm)						Standard Pack Quantity
Nylon 6/6, RMS-01	UL94 V0 Nylon, 6/6, RMS-19		Hole Ø	Panel Thickness	"A"	"B"	"C"	"D"	
MWSEA1-1-01	MWSEA1-1-19	1	3	1.6	7.3	3.0	9.1	6.6	1000
MWSEA2-1-01	MWSEA2-1-19	1	3.5	1.6	7.3	3.0	9.1	6.6	1000
MWSEA1-1-1-01	MWSEA1-1-1-19	1	3.0	2.4	7.3	3.0	9.1	6.6	1000
MWSEA2-1-1-01	MWSEA2-1-1-19	1	3.5	2.4	7.3	3.0	9.1	6.6	1000
MWSEA1-2-01	MWSEA1-2-19	1	3.0	1.6	9.1	3.9	10.8	8.1	1000
MWSEA2-2-01	MWSEA2-2-19	1	3.5	1.6	9.1	3.9	10.8	8.1	1000
MWSEA1-1-2-01	MWSEA1-1-2-19	1	3.0	2.4	9.1	3.9	10.8	8.1	1000
MWSEA2-1-2-01	MWSEA2-1-2-19	1	3.5	2.4	9.1	3.9	10.8	8.1	1000
MWSEA1-3-01	MWSEA1-3-19	1	3.0	1.6	11.2	6.0	12.0	9.1	1000
MWSEA2-3-01	MWSEA2-3-19	1	3.5	1.6	11.2	6.0	12.0	9.1	1000
MWSEA1-1-3-01	MWSEA1-1-3-19	1	3.0	2.4	11.2	6.0	12.0	9.1	1000
MWSEA2-1-3-01	MWSEA2-1-3-19	1	3.5	2.4	11.2	6.0	12.0	9.1	1000
MWSEA1-4-01	MWSEA1-4-19	1	3.0	1.6	13.0	7.7	12.0	9.1	1000
MWSEA2-4-01	MWSEA2-4-19	1	3.5	1.6	13.0	7.7	12.0	9.1	1000
MWSEA1-1-4-01	MWSEA1-1-4-19	1	3.0	2.4	13.0	7.7	12.0	9.1	1000
MWSEA2-1-4-01	MWSEA2-1-4-19	1	3.5	2.4	13.0	7.7	12.0	9.1	1000
MWSEA3-2-01	MWSEA3-2-19	2	3.5	1.6	9.1	3.9	10.8	8.1	1000
MWSEA4-1-01	MWSEA4-1-19	3	3.5	0.6-1.6	8.0	3.5	9.4	7.4	1000

# WIRE SADDLES

## Micro Wire Saddle on Adhesive Base

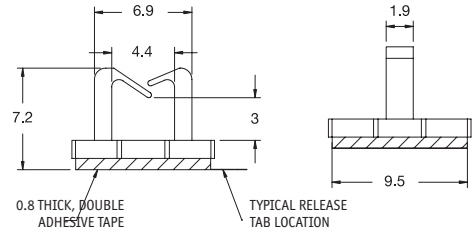
SR 2105  
MWSEB  
Natural



Part Number		Type	Dimensions (mm)									Adhesive Material	Standard Pack Quantity
Nylon 6/6, RMS-01	UL94 V0 Nylon 6/6, RMS-19		"A"	"B"	"C"	"D"	"E"	"F"	"G"	"G"			
MWSEB-1-01A2-RT	MWSEB-1-19A2-RT	1	4.0	1.3	7.0	4.8	1.6	2.0	9.5	RMS-24	1000		
MWSEB-2-01A2-RT	MWSEB-2-19A2-RT	1	6.0	3.3	7.0	4.8	1.6	2.0	9.5	RMS-24	1000		
MWSEB-3-01A2-RT	MWSEB-3-19A2-RT	2	7.3	3.0	9.0	6.6	2.0	4.0	12.7	RMS-24	1000		
MWSEB-4-01A2-RT	MWSEB-4-19A2-RT	2	9.2	4.8	10.8	8.0	2.0	4.0	12.7	RMS-24	1000		
MWSEB-5-01A2-RT	MWSEB-5-19A2-RT	2	11.2	5.8	11.9	9.1	2.0	4.0	12.7	RMS-24	1000		
MWSEB-6-01A2-RT	MWSEB-6-19A2-RT	2	13.0	8.4	12.0	9.1	2.0	4.0	12.7	RMS-24	1000		

## Micro Wire Saddle on Adhesive Base

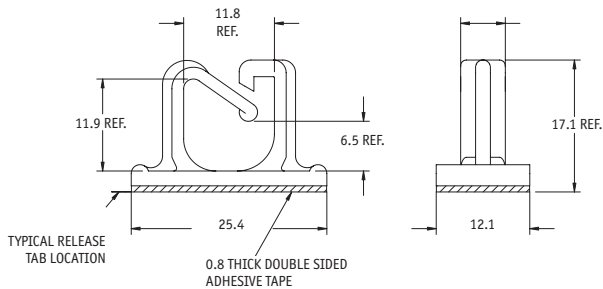
SR 2106  
MWSB  
Adhesive Back: RMS-24



Part Number		Standard Pack Quantity
Natural Nylon 6/6, RMS-01	Natural UL94 V-0 Nylon 6/6, RMS-19	
MWSB-1-01A2-RT	MWSB-1-19A2-RT	1000

## Wire Saddle on Adhesive Base

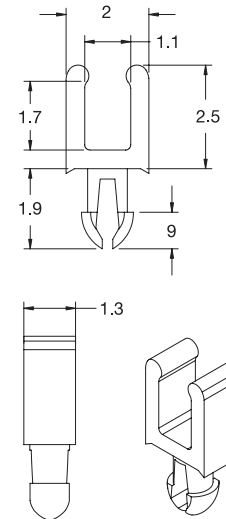
SR 2107  
WSB-2



Part Number		Standard Pack Quantity
Nylon 6/6, RMS-01	UL94 V0 Nylon 6/6, RMS-19	
WSB-2-01A4-RT	WSB-2-19A4-RT	1000

## Pico Wire Saddle

SR 2108  
PWS  
Natural UL94 V0 Nylon 6/6, RMS-104

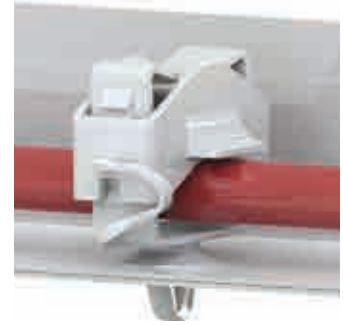
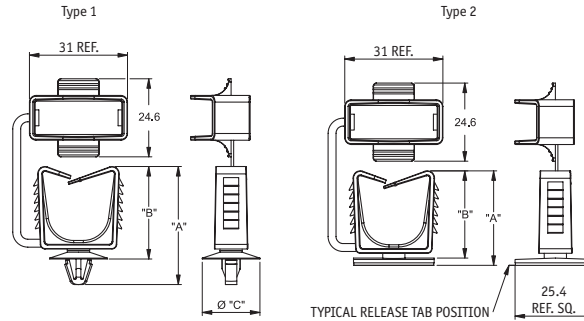


Part Number	Dimensions (mm)		Standard Pack Quantity
	Mounting Hole Ø	Panel Thickness	
PWS-1-104	1	1	1000

## Hinged Cable Saddle

SR 2074

HCS



Part Number		Type	Dimensions (mm)			Mounting Method	Cable Bundle Ø (mm)	Standard Pack Quantity
Natural UL94 V-2 Nylon 6/6, RMS-01	Black UL94 V-2 UV Stabilised Nylon 6/6, RMS-46		"A"	"B"	"C"			
HCS1-01	-	1	34.0	29.0	16.0	Snap lock 4 - 4.8 Ø hole, 0.4 - 1.6 panel thickness	3 - 16	500
HCS2-01*	HCS2-UVB	1	36.8	28.7	18.2	Snap lock 6 - 6.8 Ø hole, 0.6 - 2.5 panel thickness	3 - 16	500
HCS3-01A4-RT	-	2	29.5	27.5	-	0.8 Thick double sided adhesive tape, RMS-324	3 - 16	1000

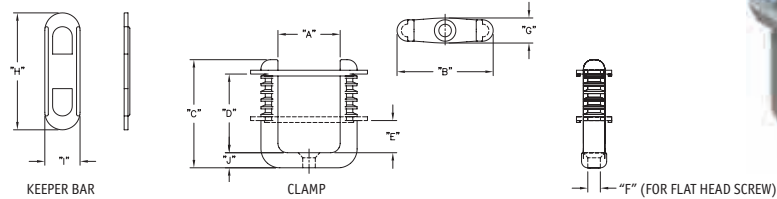
\*Standard pack quantity 500

## Two-Piece Locking Clamp

SR 2075

D

Natural Nylon 6/6, RMS-01



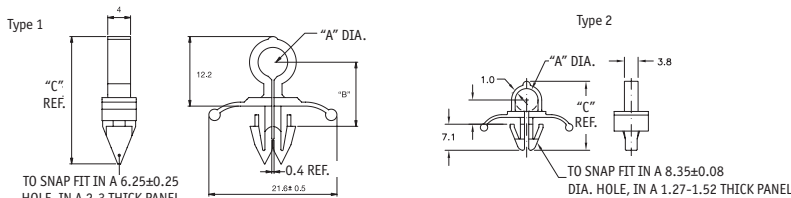
Part Number	Dimensions (mm)										Standard Pack Quantity
	"A"	"B"	"C"	"D"	"E"	"F"	"G"	"H"	"I"	"J"	
D-1	25.1	38.9	43.7	31.8	12.7	5.1	10.2	47.2	14.2	6	100
D-1.5	37.0	55.3	56.6	41.9	16.8	5.1	11.7	62.7	17.8	7.9	100

## Split Routing Clip

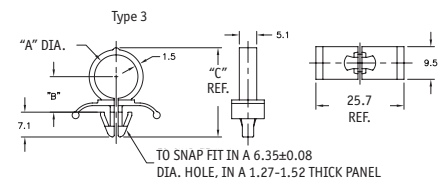
SR 2076

SRC

Natural UL94 V2 Nylon 6/6, RMS-01



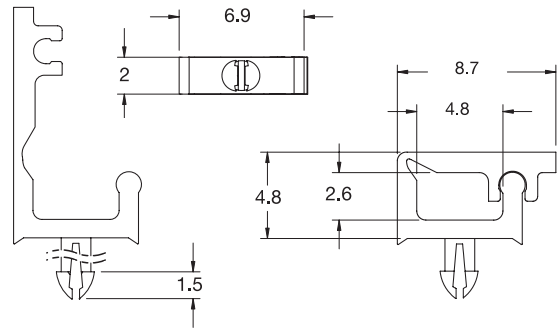
Part Number	Type	Dimensions (mm)			Standard Pack Quantity
		"A" Ø	"B"	"C"	
SRC-1-01	1	5.0	11.2	22.3	1000
SRC-4-01	2	6.4	6.6	19.1	1000
SRC-7-01	3	11.1	9.8	24.7	1000
SRC-8-01	3	12.7	10.8	26.5	1000
SRC-10-01	3	15.9	12.7	29.9	1000



# WIRE SADDLES

## Micro Wire Saddle, Locking Top

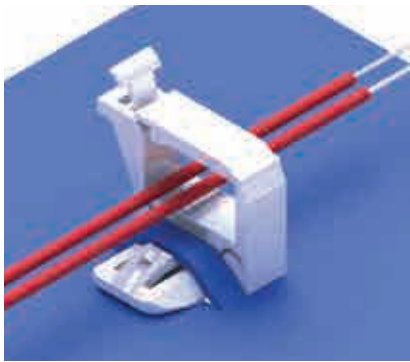
SR 2109  
MWSLT  
Natural



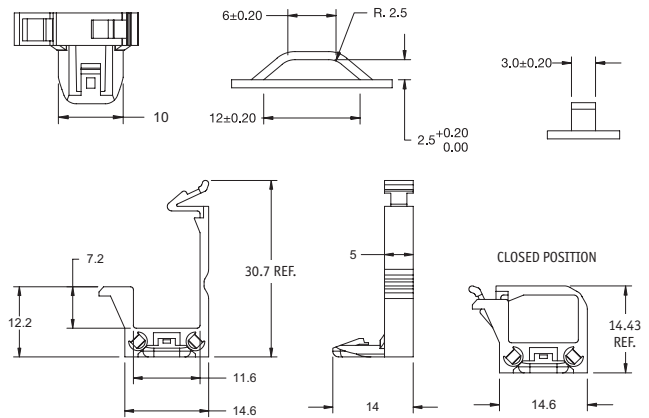
Part Number		Dimensions (mm)		Standard Pack Quantity
UL94 V2 Nylon 6/6, RMS-01	UL94 V0 Nylon 6/6, RMS-19	Panel Hole Ø	Panel Thickness	
MWSLT-1-01	MWSLT-1-19	1.7	1.6	1000
MWSLT1-1-01	MWSLT1-1-19	1.7	2.4	1000

## Side Mount Wire Saddle

SR 2110  
SMWSLT  
Natural Nylon 6/6, UL 94 V0, RMS-19



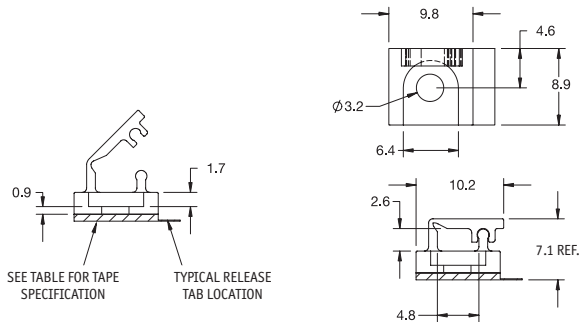
MOUNTING HOLE DIMENSIONS



Part Number	Standard Pack Quantity
SMWSLT-1-19	1000

## Micro Wire Saddle Locking Top on Base

SR 2111  
MWSLTB  
Natural UL94 V0 Nylon, 6/6, RMS-19



Part Number	Mounting Method	Standard Pack Quantity
MWSLTB-1-19A-RT	Acrylic Adhesive, RMS-15, 0.8 thick	1000
MWSLTB-1-19	Any *SR-30XX rivet or #4 or M3 screw	1000

## Side Entry Micro Wire Saddle on Adhesive Base

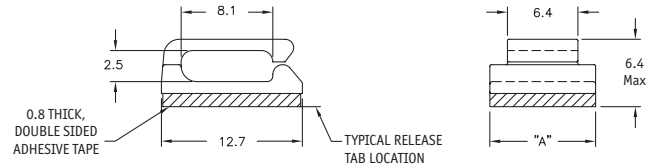
SR 2112

MWSSEB/MWSSEBE

Natural Adhesive Back: RMS-24



Part Number		"A" (mm)	Standard Pack Quantity
Nylon 6/6, RMS-01	UL94 V0 Nylon 6/6, RMS-19		
MWSSEB-1-01A2	MWSSEB-1-19A2	9.5	1000
MWSSEBE-1-01A2	MWSSEBE-1-19A2	12.7	1000

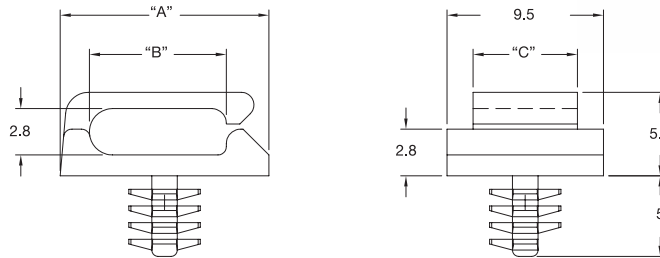


## Micro Blind Hole Mount Wire Saddle

SR 2113

MBHWSSE

Natural

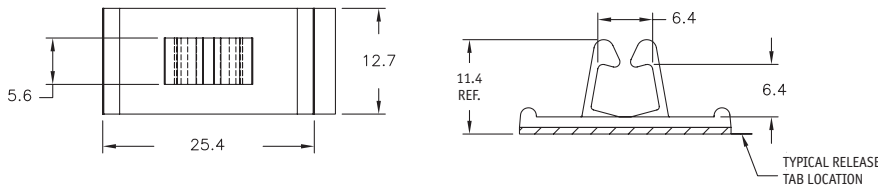


Part Number		Dimensions (mm)					Standard Pack Quantity
UL94 V2 Nylon 6/6, RMS-01	UL94 V0 Nylon 6/6, RMS-19	"A"	"B"	"C"	Mounting Hole Ø	Panel Thickness	
MBHWSSE-1-01	MBHWSSE-1-19	12.7	8.3	6.4	4	1 - 4.1	1000
MBHWSSE1-1-01	MBHWSSE1-1-19	17.0	12.5	8.0	4	1 - 4.1	1000

## Cord Clip on Base

SR 2114

WCB

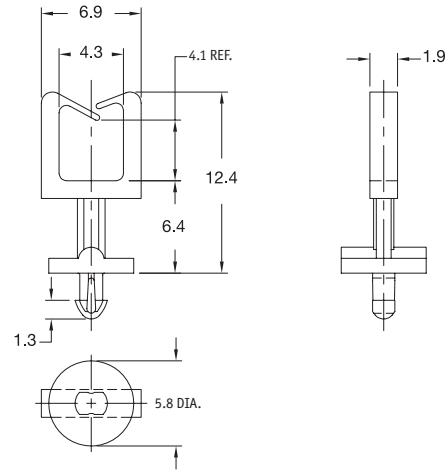
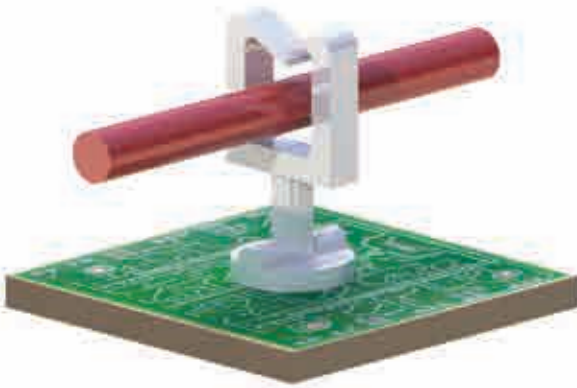


Part Number	Base Material	Adhesive Material	Colour	Standard Pack Quantity
WCB-250-01A4-RT	Nylon 6/6, RMS-01	RMS-324	Natural	1000



## Stand-off Micro Wire Saddle

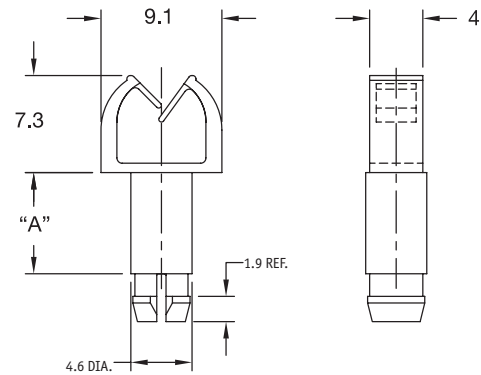
SR 2115  
SMWS



Part Number		Dimension (mm)		Standard Pack Quantity
Natural Nylon 6/6, RMS-01	Natural UL94 V0 Nylon, 6/6 RMS-19	Hole Ø	Panel Thickness	
SMWS-1-01	SMWS-1-19	1.78 ± 0.05	1.57	1000
SMWS1-1-01	SMWS1-1-19	1.78 ± 0.05	2.36	1000

## Stand-off Micro Wire Saddle

SR 2116  
MWSELF  
Natural



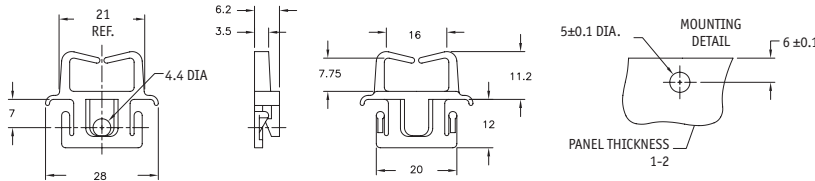
Part Number		Dimensions (mm)			Standard Pack Quantity
UL94 V2 Nylon 6/6, RMS-01	UL94 V0 Nylon 6/6, RMS-19	"A"	Hole Ø	Panel Thickness	
MWSELF-1-4.1-01	MWSELF-1-4.1-19	4.1	3.80	1.6	1000
MWSELF-1-7.7-01	MWSELF-1-7.7-19	7.7	3.80	1.6	1000
MWSELF-2-4.1-01	MWSELF-2-4.1-19	4.1	3.80	2.0	1000
MWSELF-2-7.7-01	MWSELF-2-7.7-19	7.7	3.80	2.0	1000

## Edge Holding Wire Saddle

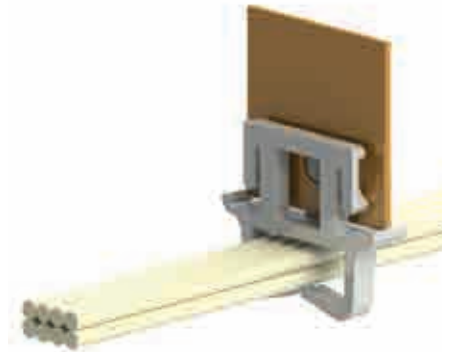
SR 2117

EHWSE

Natural Nylon 6/6, RMS-01



Part Number	Standard Pack Quantity
EHWSE-1-01	500

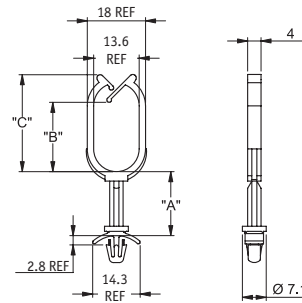


## Stand-off Harness Clip

SR 2118

SHK/SHKE

Part Number		Dimensions (mm)			Standard Pack Quantity
Natural UL 94 V-2 Nylon 6/6, RMS-01	Natural UL 94 V-0 Nylon 6/6, RMS-19	"A"	"B"	"C"	
SHK-6-01	SHK-6-19	9.5	13.6	19.5	1000
SHK-8-01	SHK-8-19	12.7	13.6	19.5	1000
-	SHK-12-19	19.1	13.6	19.5	1000
SHK-16-01	SHK-16-19	25.4	13.6	19.5	1000
SHK-20-01	SHK-20-19	31.8	13.6	19.5	1000
SHKE-6-01	SHKE-6-19	9.5	20.6	29.0	1000
SHKE-8-01	SHKE-8-19	12.7	20.6	29.0	1000
SHKE-12-01	SHKE-12-19	19.1	20.6	29.0	1000
SHKE-16-01	SHKE-16-19	25.4	20.6	29.0	1000
SHKE-20-01	SHKE-20-19	31.8	20.6	29.0	1000



Bottom Hole Snap-lock:  $\varnothing 4.8 \pm 0.08$   
Panel Thickness: 0.76 - 2.0



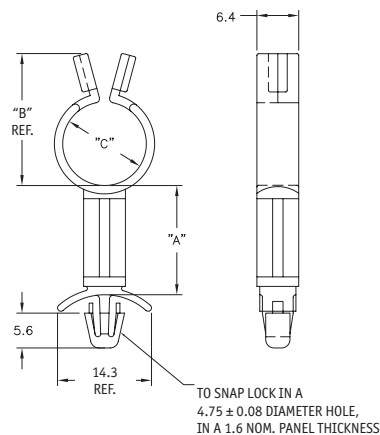
## Stand-off Locking Clip

SR 2119

SLCS

Natural

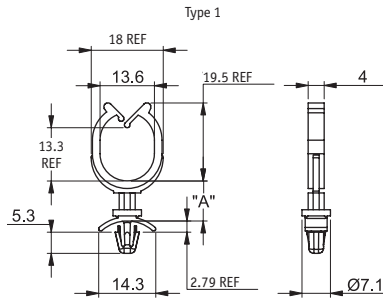
Part Number		Dimensions (mm)			Standard Pack Quantity
UL94 V2 Nylon 6/6, RMS-01	UL94 V0 Nylon 6/6, RMS-19	A	B	Max Bundle $\varnothing$	
SLCS-250-3-01	SLCS-250-3-19	4.8	13.5	4.8	1000
SLCS-250-4-01	SLCS-250-4-19	6.4	13.5	4.8	1000
SLCS-250-6-01	SLCS-250-6-19	9.5	13.5	4.8	1000
SLCS-250-8-01	SLCS-250-8-19	12.7	13.5	4.8	1000
SLCS-250-16-01	SLCS-250-16-19	25.4	13.5	4.8	1000
SLCS-370-3-01	SLCS-370-3-19	4.8	16.8	7.9	1000
SLCS-370-4-01	SLCS-370-4-19	6.4	16.8	7.9	1000
SLCS-370-6-01	SLCS-370-6-19	9.5	16.8	7.9	1000
SLCS-370-8-01	SLCS-370-8-19	12.7	16.8	7.9	1000
SLCS-370-16-01	SLCS-370-16-19	25.4	16.8	7.9	1000
SLCS-500-3-01	SLCS-500-3-19	4.8	21.1	11.1	1000
SLCS-500-4-01	-	6.4	21.1	11.1	1000
SLCS-500-6-01	SLCS-500-6-19	9.5	21.1	11.1	1000
SLCS-500-8-01	SLCS-500-8-19	12.7	21.1	11.1	1000
SLCS-500-16-01	SLCS-500-16-19	25.4	21.1	11.1	1000
SLCS-750-3-01	SLCS-750-3-19	4.8	26.4	17.5	1000
SLCS-750-4-01	SLCS-750-4-19	6.4	26.4	17.5	1000
SLCS-750-6-01	SLCS-750-6-19	9.5	26.4	17.5	1000
-	SLCS-750-8-19	12.7	26.4	17.5	1000
SLCS-750-16-01	SLCS-750-16-19	25.4	26.4	17.5	1000



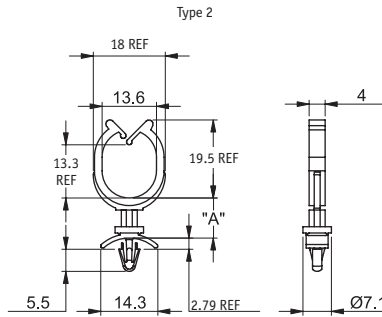
# STAND-OFF CLIPS

## Stand-off Harness Clip (Metric)

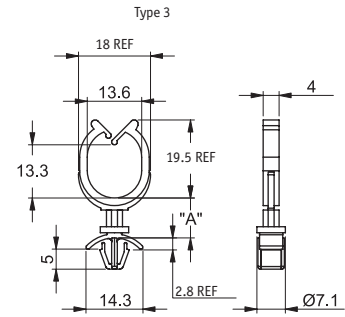
SR 2120  
SHK-J



Bottom Hole: Snap-lock  $\varnothing$  4.75  $\pm$  0.08  
Panel Thickness: 1.6



Bottom Hole: Snap-lock  $\varnothing$  3.96  $\pm$  0.08  
Panel Thickness: 1.6

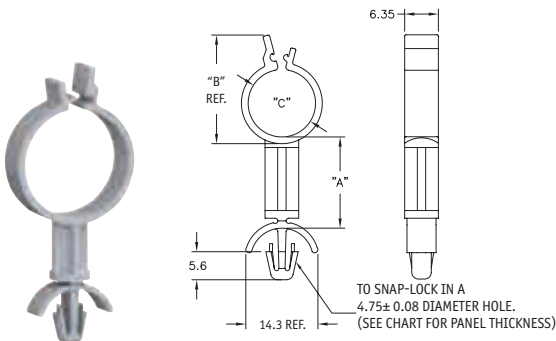


Bottom Hole: Snap-lock  $\varnothing$  5.5  $\pm$  0.08  
Panel Thickness: 1.6

Part Number						"A" Stand-off Height (mm)	Standard Pack Quantity
Type 1		Type 2		Type 3			
Natural UL 94 V-2 Nylon 6/6, RMS-01	Natural UL 94 V-0 Nylon 6/6, RMS-19	Natural UL 94 V-2 Nylon 6/6, RMS-01	Natural UL 94 V-0 Nylon 6/6, RMS-19	Natural UL 94 V-2 Nylon 6/6, RMS-01	Natural UL 94 V-0 Nylon 6/6, RMS-19		
SHK-J-6M-01	SHK-J-6M-19	SHK-J1-6M-01	SHK-J1-6M-19	SHK-J2-6M-01	SHK-J2-6M-19	6	1000
SHK-J-8M-01	SHK-J-8M-19	SHK-J1-8M-01	SHK-J1-8M-19	SHK-J2-8M-01	SHK-J2-8M-19	8	1000
SHK-J-10M-01	SHK-J-10M-19	SHK-J1-10M-01	SHK-J1-10M-19	SHK-J2-10M-01	SHK-J2-10M-19	10	1000
SHK-J-12M-01	SHK-J-12M-19	SHK-J1-12M-01	SHK-J1-12M-19	SHK-J2-12M-01	SHK-J2-12M-19	12	1000
SHK-J-14M-01	SHK-J-14M-19	SHK-J1-14M-01	SHK-J1-14M-19	SHK-J2-14M-01	SHK-J2-14M-19	14	1000
SHK-J-16M-01	SHK-J-16M-19	SHK-J1-16M-01	SHK-J1-16M-19	SHK-J2-16M-01	SHK-J2-16M-19	16	1000
SHK-J-18M-01	SHK-J-18M-19	SHK-J1-18M-01	SHK-J1-18M-19	SHK-J2-18M-01	SHK-J2-18M-19	18	1000
SHK-J-20M-01	SHK-J-20M-19	SHK-J1-20M-01	SHK-J1-20M-19	SHK-J2-20M-01	SHK-J2-20M-19	20	1000
SHK-J-22M-01	SHK-J-22M-19	SHK-J1-22M-01	SHK-J1-22M-19	SHK-J2-22M-01	SHK-J2-22M-19	22	1000
SHK-J-24M-01	SHK-J-24M-19	SHK-J1-24M-01	SHK-J1-24M-19	SHK-J2-24M-01	SHK-J2-24M-19	24	1000
SHK-J-26M-01	SHK-J-26M-19	SHK-J1-26M-01	SHK-J1-26M-19	SHK-J2-26M-01	SHK-J2-26M-19	26	1000
SHK-J-28M-01	SHK-J-28M-19	SHK-J1-28M-01	SHK-J1-28M-19	SHK-J2-28M-01	SHK-J2-28M-19	28	1000

## Stand-off Lock Clip

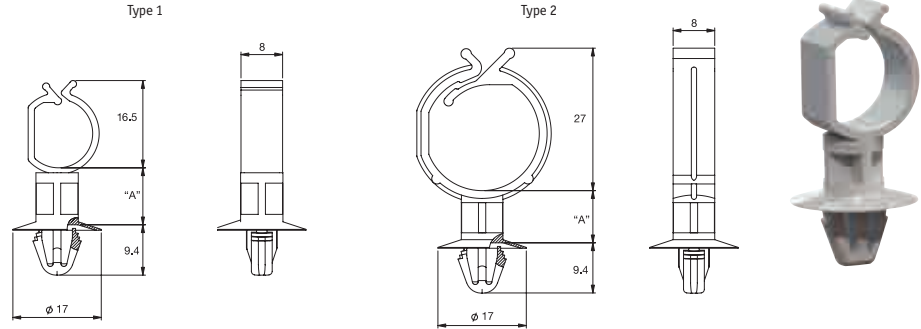
SR 2121  
SLCSE  
Natural



Part Number		Dimensions (mm)					Standard Pack Quantity
UL94 V2 Nylon 6/6, RMS-01	UL94 V0 Nylon 6/6, RMS-19	A	B	Panel Thickness	Max. Bundle Diameter		
SLCSE-250-3-01	SLCSE-250-3-19	4.8	14.5	0.8-2	5.6	1000	
SLCSE-370-3-01	SLCSE-370-3-19	4.8	18	0.8-2	8.9	1000	
SLCSE-500-3-01	SLCSE-500-3-19	4.8	21	0.8-2	12	1000	
SLCSE-750-3-01	SLCSE-750-3-19	4.8	27.5	0.8-2	18.4	1000	
SLCSE2-250-3-01	SLCSE2-250-3-19	4.8	14.5	2-4	5.6	1000	
SLCSE2-370-3-01	-	4.8	18	2-4	8.9	1000	
SLCSE2-500-3-01	SLCSE2-500-3-19	4.8	21	2-4	12	1000	
SLCSE2-750-3-01	SLCSE2-750-3-19	4.8	27.5	2-4	18.4	1000	

## Stand-off Cable Clamps

SR 2122  
SCCA/SCCB

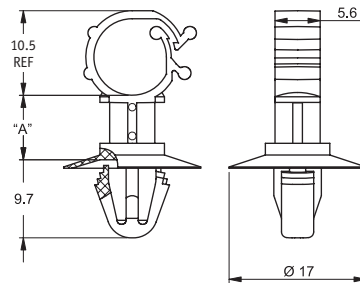


Part Number			Dimensions (mm)					Standard Pack Quantity
Natural UL94 V-2 Nylon 6/6, RMS-01	Black UL94 V-2 Nylon 6/6, RMS-01	Natural UL94 V-0 Nylon 6/6, RMS-19	Type	"A" Stand-off height	Max. Cable Bundle Ø	Hole Ø	Panel Thickness	
SCCA-1-01	SCCA-1-01BK	SCCA-1-19	1	4	11	6.5 - 7	0.6 - 2	1000
SCCA-2-01	SCCA-2-01BK	SCCA-2-19	1	6	11	6.5 - 7	0.6 - 2	1000
SCCA-3-01	SCCA-3-01BK	SCCA-3-19	1	8	11	6.5 - 7	0.6 - 2	1000
SCCA-4-01	SCCA-4-01BK	-	1	10	11	6.5 - 7	0.6 - 2	1000
SCCA-5-01	SCCA-5-01BK	SCCA-5-19	1	12	11	6.5 - 7	0.6 - 2	1000
SCCB-1-01	SCCB-1-01BK	SCCB-1-19	2	4	22	6.5 - 7	0.6 - 2	1000
SCCB-2-01	SCCB-2-01BK	-	2	6	22	6.5 - 7	0.6 - 2	1000
SCCB-3-01	SCCB-3-01BK	SCCB-3-19	2	8	22	6.5 - 7	0.6 - 2	1000
SCCB-4-01	-	-	2	10	22	6.5 - 7	0.6 - 2	1000
SCCB-5-01	SCCB-5-01BK	SCCB-5-19	2	12	22	6.5 - 7	0.6 - 2	1000
SCCB-6-01	-	-	2	30	22	6.5 - 7	0.6 - 2	500

## Stand-off Cable Clip Side Entry

SR 2123  
SCC-SE  
Natural UL94 V0 Nylon 6/6, RMS-19

Part Number	"A" Stand-off Height (mm)	Cable Bundle Max. (mm)	Standard Pack Quantity
SCC-SE-4-19	4	9	1000
SCC-SE-8-19	8	9	1000
SCC-SE-10-19	10	9	1000
SCC-SE-12-19	12	9	1000

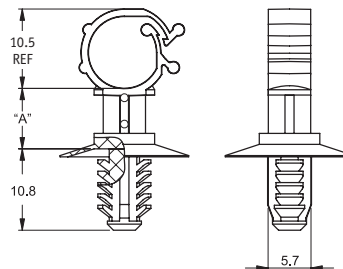


Bottom Hole: Snap-lock 6.5-7  
Panel Thickness: 0.8-1.25

## Stand-off Cable Clip Side Entry

SR 2124  
SCCBH-SE  
Natural UL94 V0 Nylon 6/6, RMS-19

Part Number	"A" Stand-off Height (mm)	Cable Bundle Max. (mm)	Standard Pack Quantity
SCCBH-SE-4-19	4	9	1000
SCCBH-SE-8-19	8	9	1000
SCCBH-SE-10-19	10	9	1000
SCCBH-SE-12-19	12	9	1000



Bottom Hole: Push fit Ø6.5  
Panel Thickness: Min 0.7

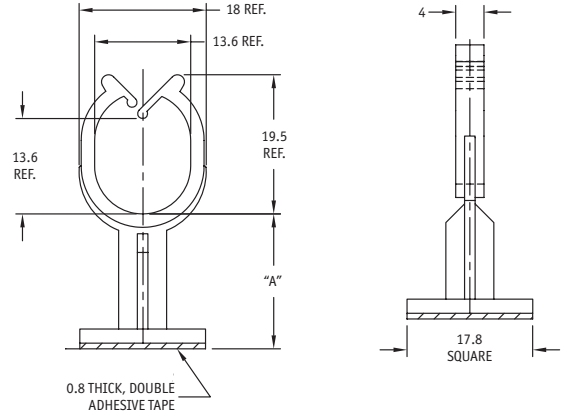
**Stand-Off Harness Clip on Adhesive**

SR 2126

SHKBS

Natural UL94 V2 Nylon 6/6, RMS-01

Adhesive Back: RMS-15



Part Number	"A" Stand-off height (mm)	Standard Pack Quantity
SHKBS-4-01A-RT	6.4	1000
SHKBS-8-01A-RT	12.7	1000

# QUESTIONS? GIVE US A CALL

Our Customer Service advisors can also help you find the right product for your application.

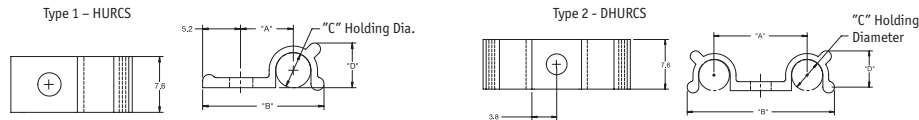
**Call 0845 758 5070**  
[www.essentracomponents.co.uk](http://www.essentracomponents.co.uk)

## Screw Mount U Clamp

SR 2127

HURCS/DHURCS

Natural Nylon 6/6, RMS-01



Mounting Notes - 3.2 ±0.5 mounting hole Ø for #4 or M3 screw or SR-30XX series rivet

Part Number	Dimensions (mm)				Type	Standard Pack Quantity
	"A"	"B"	"C" Holding Ø	"D"		
HURCS-2-01	6.2	15.0	3.2	4.3	1	1000
HURCS-3-01	7.1	15.6	4.8	6.1	1	1000
HURCS-4-01	8.1	18.3	6.4	7.6	1	1000
DHURCS-2-01	12.4	19.0	3.2	4.3	2	1000
DHURCS-3-01	14.2	22.6	4.8	6.1	2	1000
DHURCS-4-01	16.2	25.9	6.4	7.6	2	1000

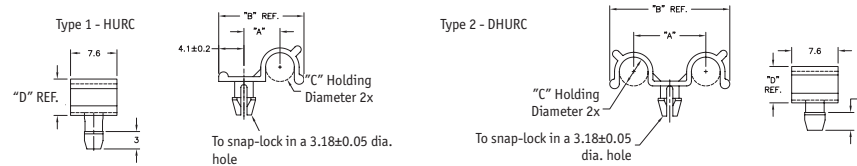


## Plug In Routing Clips

SR 2128

HURC/DHURC

Natural UL94 V2 Nylon 6/6, RMS-01



Part Number	Dimensions (mm)					Type	Standard Pack Quantity
	"C" Holding Ø	"A"	"B"	"D"	Panel Thickness		
HURC-2-01	3.2	5.1	12.4	4.3	1.6	1	1000
HURC-3-01	4.8	6.1	14.2	6.1	1.6	1	1000
HURC-4-01	6.4	6.9	15.7	7.6	1.6	1	1000
HURC1-2-01	3.2	5.1	12.4	4.3	2.4	1	1000
HURC1-3-01	4.8	6.1	14.2	6.1	2.4	1	1000
HURC1-4-01	6.4	6.9	15.7	7.6	2.4	1	1000
DHURC-2-01	3.2	10.4	16.8	4.3	1.6	2	1000
DHURC-3-01	4.8	12.2	20.1	6.1	1.6	2	1000
DHURC-4-01	6.4	14.0	23.9	7.6	1.6	2	1000



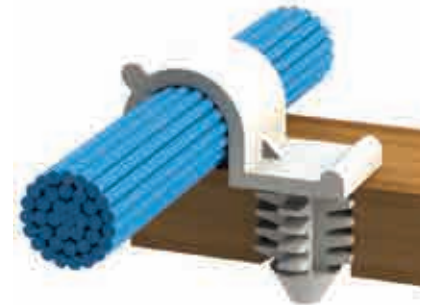
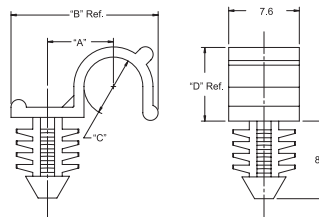
## Routing Clips Blind Hole Mount

SR 2129

HURCBH

Natural UL94 V2 Nylon 6/6, RMS-01

Natural VO Nylon 6/6, RMS-19



UL94 V2 Nylon 6/6, RMS-01	UL94 VO Nylon 6/6, RMS-19	Dimensions (mm)					Panel Hole Ø	Panel Thickness	Standard Pack Quantity
		"A"	"B"	"C" Holding Ø	"D"				
HURCBH-3-01	HURCBH-3-19	6.1	14.2	4.8	6.1	6.35 ± .076	6.35 Min.	1000	
HURCBH-4-01	HURCBH-4-19	6.9	15.7	6.4	7.6	6.35 ± .076	6.35 Min.	1000	

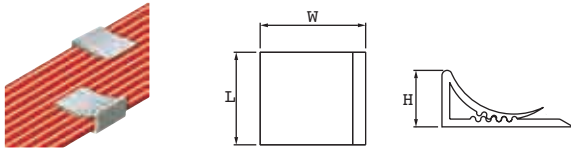
# SCREW, ADHESIVE & FLAT CABLE MOUNTS

## Adhesive Ribbon Cable Clip

SR 1789

Grey PVC

- Designed to clamp ribbon cable
- Backed with high-quality adhesive tape



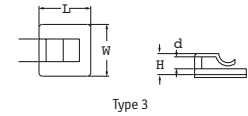
Part Number	Dimensions (mm)			Standard Pack Quantity
	L	W	H	
460293	15	24	9	100
460294	20	24	9	100
460295	25	24	9	100
460296	28	24	9	100

## Self-Adhesive Cable Clips

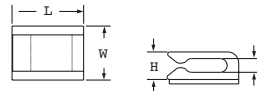
SR 1788

Natural Nylon 6.6

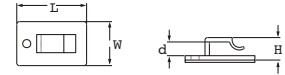
- Strong adhesion for quick and easy installation
- Ideal for lightweight wire bundles
- Flammability rating UL94 V2



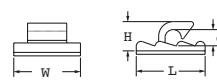
Type 3



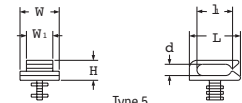
Type 1



Type 4



Type 2



Type 5

Part Number	Max. Cable Diameter (mm) d	Type	Dimensions (mm)					Standard Pack Quantity
			L	W	w1	l1	H	
460300	2.8	1	13.0	9.5	-	-	5.2	100
460302	3.7	3	16.0	16.0	-	-	6.8	100
460303*	5.5	4	27.0	17.0	-	-	8.7	100
460304	5.8	1	16.0	15.8	-	-	9.0	100

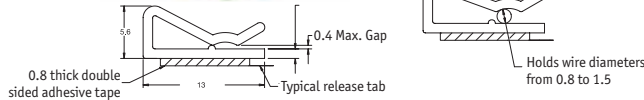
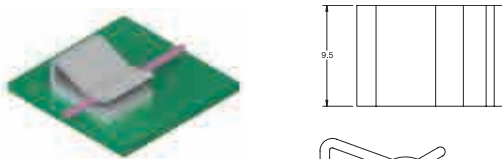
\*Additional mounting hole of diameter 3.1mm.

## Single Wire Clip on Adhesive Base

SR 2130

SWO

White, UL94 V0 PPE/PS, RMS-05; Adhesive back, RMS-15 Colour



Product Number	Standard Pack Quantity
SWC-0	1000

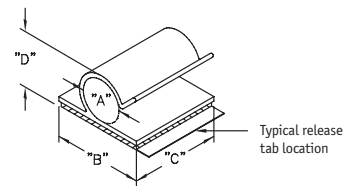
## C Style Clamp on Adhesive Base

SR 2131

KKO

Grey PVC, RMS-04

Adhesive Base Back - 1.6mm thick, RMS-15



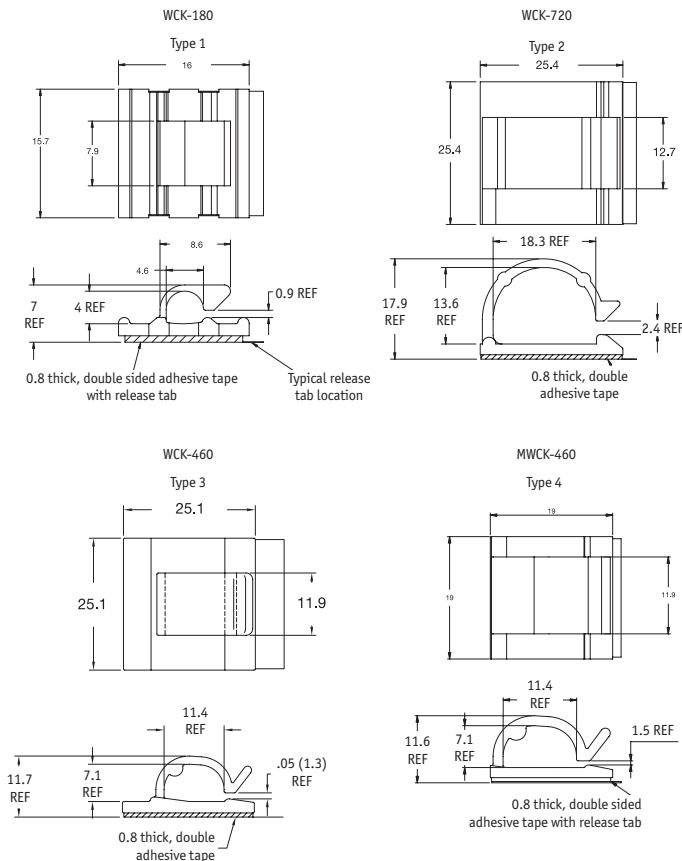
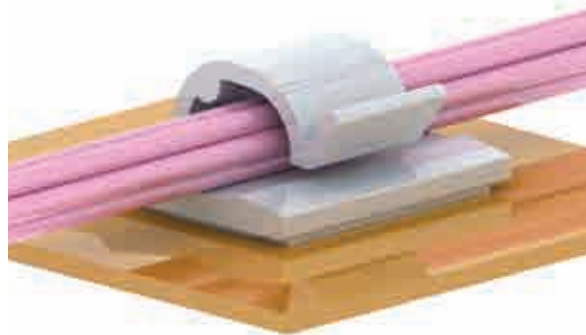
Part Number	Dimensions (mm)				Standard Pack Quantity
	Holding Capacity "A"	"B" ± 0.4	"C" ± 0.5	"D" at Max. Capacity Ref.	
KKC-2-RT	3.2	19.1	19.1	7.9	500
KKC-3-RT	4.8	19.1	19.1	8.4	500
KKC-4-RT	6.4	19.1	19.1	10.7	500
KKC-5-RT	7.9	19.1	19.1	12.2	500
KKC-6-RT	9.5	19.1	19.1	15.2	500
KKC-8-RT	12.7	25.4	25.4	17.5	100
KKC-12-RT	19.1	25.4	25.4	23.9	100

### Wire Cord Klip

SR 2132

WCK/MWCK

Natural UL94 V2 Nylon 6/6, RMS-01



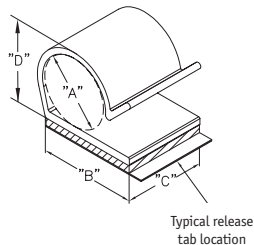
Part Number	Type	Adhesive Material	Standard Pack Quantity
WCK-180-01A4-RT	1	RMS-324	1000
WCK-720-01A4-RT	2	RMS-324	1000
WCK-460-01A4-RT	3	RMS-324	1000
MWCK-460-01A4	4	RMS-324	1000
WCK-280-01A4-RT	5	RMS-324	1000

### R Style Clamp on Adhesive Base

SR 2133

KKR

Grey, PVC, RMS-04



Part Number	Dimensions (mm)				Double Sided Adhesive Tape 1.6 Rubber, RMS-102	Standard Pack Quantity
	Holding Capacity "A"	"B" ± 0.5	"C" ± 0.5	"D" at Max. Capacity Ref.		
KKR-5A1-RT	13.2	19.1	15.9	17.3		500

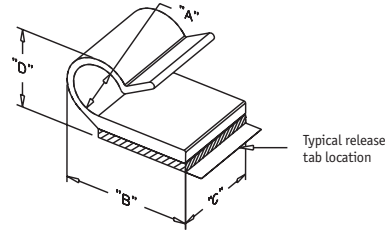
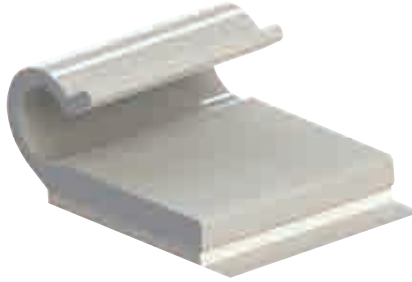


## Mini J Style Clamp on Adhesive Base

SR 2134

MKKJ

Clear, Rigid PVC, RMS-32 Adhesive Back, 0.8 thick, RMS-15



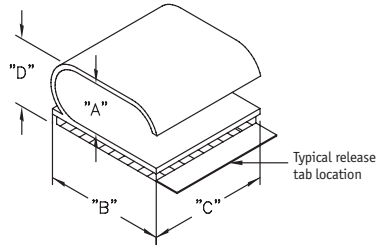
Part Number	Dimensions (mm)				Standard Pack Quantity
	Holding Capacity "A"	"B" ± 0.4	"C" ± 0.5	"D" at Max. Capacity Ref.	
MKKJ-2-RT	3.2	11.1	9.5	6.0	1000
MKKJ-3-RT	4.8	15.9	11.1	8.3	1000
MKKJ-4-RT	6.4	16.7	12.7	10.3	1000
MKKJ-5-RT	7.9	20.6	14.3	12.3	1000
MKKJ-6-RT	9.5	22.2	15.9	14.3	1000

## F Style Clamp on Adhesive Base

SR 2135

KKF

Grey, PVC, RMS-04 Adhesive Back, 1.6 thick, RMS-15



Part Number	Dimensions (mm)				Standard Pack Quantity
	Holding Capacity "A"	"B" ± 0.8	"C" ± 0.5	"D" at Max. Capacity Ref.	
KKF-10X4-RT	14.3 x 5.2	19.1	19.1	9.1	100

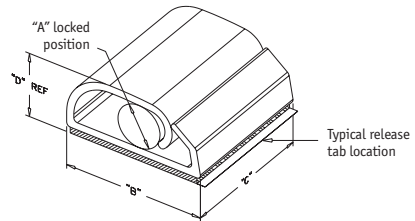
## DL Style Clamp on Adhesive Base

SR 2136

KKDL

Grey UL94 V0 PVC, RMS-04

Adhesive 1.6 thick, RMS-15



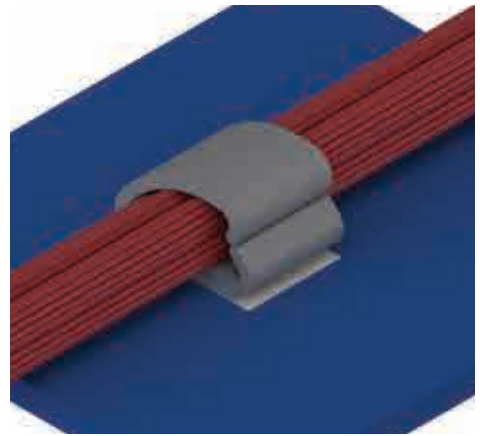
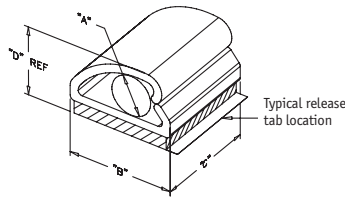
Part Number	Dimensions (mm)				Standard Pack Quantity
	"A" Holding Capacity	"B"	"C"	"D" at Max. Capacity Ref.	
KKDL-4-RT	3.2	12.7	12.7	7.1	500
KKDL-8-RT	5.6	19.1	19.1	10.9	100

### D Style Clamp on Adhesive Base

SR 2137

KKD

Grey UL94 V0 PVC, RMS-04, Adhesive: 1.6 thick



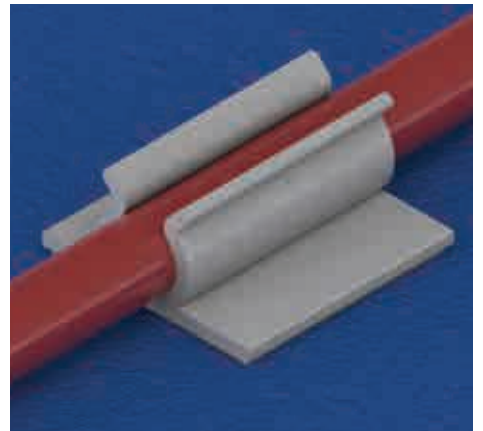
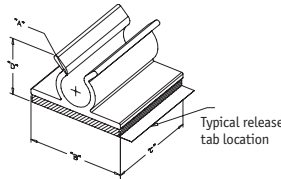
Part Number	Dimensions (mm)				Adhesive Material	Standard Pack Quantity
	"A" Holding Capacity	"B"	"C"	"D" at Max. Capacity Ref.		
KKD-4-RT	6.4	12.7	12.7	10.2	RMS-15	500
KKD-8A5-RT	12.7	19.1	19.1	18.5	RMS-359	100
KKD-12A5-RT	19.1	28.2	25.4	25.9	RMS-359	100
KKD-16-RT	25.4	38.1	31.8	33.0	RMS-15	100

### U Style Clamp on Adhesive Base

SR 2138

KKU

Grey, Adhesive: 1.6 thick



Part Number	Dimensions (mm)				Material	Adhesive Material	Standard Pack Quantity
	"A" Holding Capacity	"B"	"C"	"D" at Max. Capacity Ref.			
KKU-2A4-RT	3.2	19.1	19.1	7.1	PVC, RMS-193	RMS-324	500
KKU-4A4-RT	6.4	19.1	19.1	11.9	UL94 V0 PVC, RMS-448	RMS-324	500
KKU-6A4-RT	9.5	19.1	19.1	15.1	UL94 V0 PVC, RMS-448	RMS-324	500
KKU-8A4-RT	12.7	25.4	25.4	17.5	UL94 V0 PVC, RMS-448	RMS-324	100
KKU-9A5-RT	14.3	25.4	25.4	19.1	UL94 V0 PVC, RMS-448	RMS-359	100
KKU-12A4-RT	19.1	25.4	25.4	23.0	UL94 V0 PVC, RMS-448	RMS-324	100

### L Style Locking Clamp on Adhesive Base

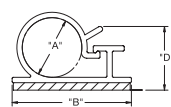
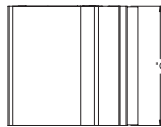
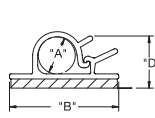
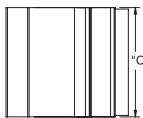
SR 2139

KKL

Grey, UL94 V0 PVC, RMS-448 Adhesive: 1.6 thick

Type 1

Type 2

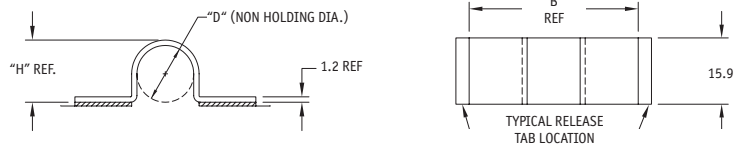


Part Number	Dimensions (mm)				Type	Adhesive Material	Standard Pack Quantity
	"A" Holding Capacity	"B"	"C"	"D" at Max. Capacity Ref.			
KKL-4-RT	6.4	19.7	19.7	9.5	1	RMS-15	500
KKL-8A5-RT	12.7	25.4	25.4	21.4	2	RMS-359	100
KKL-12-RT	19.1	25.4	25.4	25.4	2	RMS-15	100

# SCREW, ADHESIVE & FLAT CABLE MOUNTS

## U-Clip with Adhesive Base

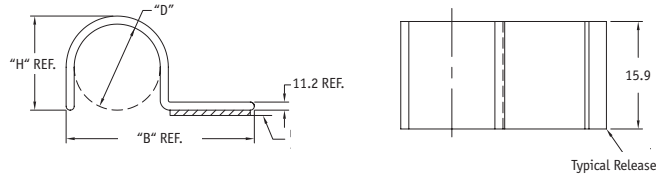
SR 2140  
UC



Part Number	Dimensions (mm)			Material	Adhesive	Standard Pack Quantity
	"D" Bundle Ø	"B"	"H"			
UC-2-RT	3.2	30.9	4.4	UL94 V0 PVC, RMS-04	RMS-15	1000
UC-4-A4-RT	6.4	34.1	7.5	UL94 V0 PVC, RMS-448	RMS-324	1000

## Half U-Clip with Adhesive Base

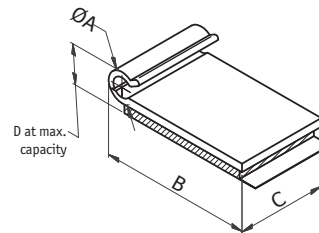
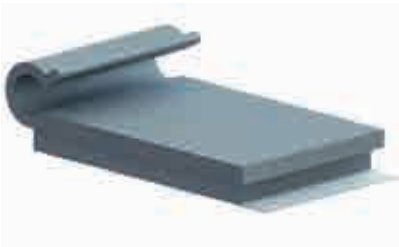
SR 2141  
HUC  
Black, UL94 V0 PVC, RMS-04  
Adhesive Back 0.8 thick, RMS-15



Part Number	Dimensions (mm)			Standard Pack Quantity
	"D" Bundle Ø	"B"	"H"	
HUC-2-RT	3.2	18.3	4.4	1000
HUC-4-RT	6.4	21.4	7.5	1000

## Adhesive Mount Clamp

SR 2142  
KKJ  
Grey UL94 V0 PVC



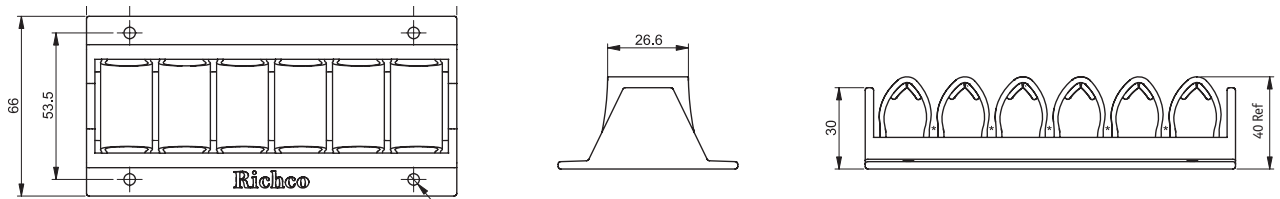
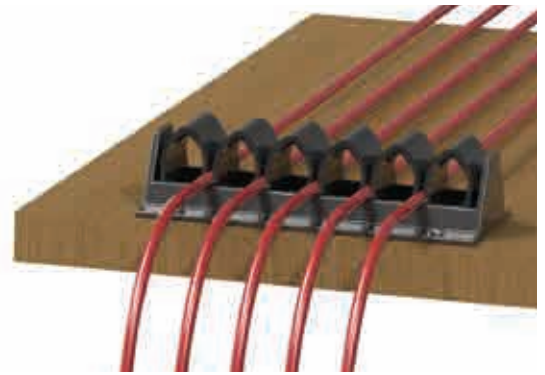
Part Number	"A" Bundle Ø	Dimensions (mm)			Standard Pack Quantity
		"B"	"C"	"D"	
KKJ-2-RT	3.2	21.4	25.4	6.4	500
KKJ-3-RT	4.8	22.2	31.8	7.9	500
KKJ-4-RT	6.4	23.0	38.1	10.3	500
KKJ-5-RT	7.9	31.0	44.5	11.1	500
KKJ-6-RT	9.5	32.5	50.8	13.5	500

## Universal Cable Grip

SR 2143

UCG

Black, Base: HDPE (RMS-432), Insert TPEE (RMS-433)



Part Number	Maximum Cable Bundle Ø REF (mm) – 7 positions	Standard Pack Quantity
UCG-6BK	12	125

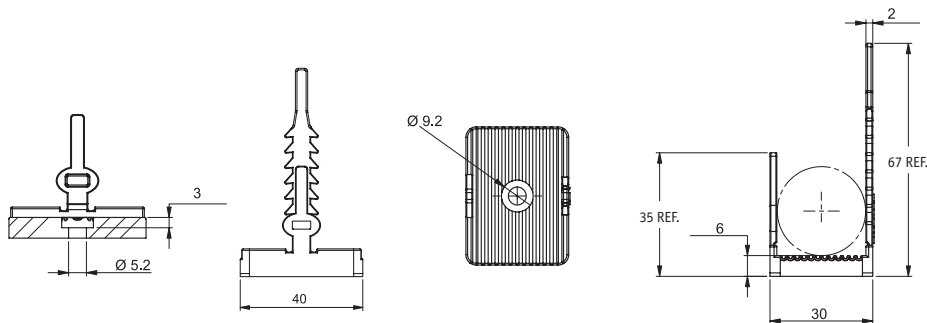
## Universal Mounting Block

SR 2144

UMB

Black, Neoprene Rubber 50 Shore A, RMS-190

Double-coated PSA tape 0.2mm thick, RMS-139



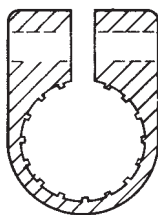
Part Number	Mounting Method	Maximum Cable (mm) Bundle Ø Approx.	Standard Pack Quantity
UMB-1	M5 screw or SR-50XX rivet (not supplied)	20	200
UMB-1A-RT	Adhesive	20	200

# SCREW, ADHESIVE & FLAT CABLE MOUNTS

## Standard Cleats

SR 1780

Black LDPE



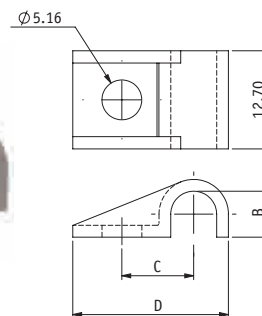
Part Number	Size Number	Cable Size (mm)	Fixing (mm)	Standard Pack Quantity	Carton Quantity
12875	3	7.6	6.0 (¼")	100	3000
12876	4	10.1	6.0 (¼")	100	2500
12877	5	12.7	6.0 (¼")	100	2500
12848	6	15.2	6.0 (¼")	100	2000
12878	7	17.8	6.0 (¼")	100	2000
12879	8	20.3	6.0 (¼")	100	1000
12880	9	22.8	6.0 (¼")	100	1000
12881	10	25.4	6.0 (¼")	100	800
12092	11	27.9	9.6 (¾")	100	800
12882	12	30.0	10.0 (¾")	50	600
12883	14	35.6	10.0 (¾")	50	500
12884	16	40.6	10.0 (¾")	50	250
12885	18	45.7	10.0 (¾")	50	400
12886	20	50.4	10.0 (¾")	50	300

## Heavy Duty Cable Clips

SR E-0012

Natural PA 6.6

- Screw Mounting



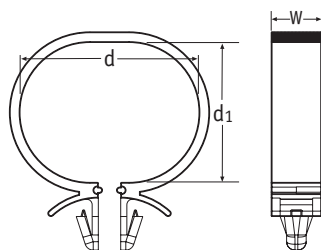
Part Number	Fits Cable	Dimensions (mm)			Standard Pack Quantity
		B	C	D	
22HDCC1250	3.17	2.92	7.8	17.14	500
22HDCC1720	4.76	4.37	8.33	18.59	500
22HDCC2340	6.35	5.95	9.3	20.14	500
22HDCC2970	7.93	7.54	10.16	21.83	500
22HDCC3590	9.52	9.13	10.92	23.11	1000
22HDCC4220	11.11	10.72	11.68	24.89	1000
22HDCC4840	12.7	12.3	12.5	26.52	1000

## Bundle Clips

SR 1783

Grey Nylon 6.6

- To suit panel thickness 0.7-2.0mm
- To fit hole size 6.0-6.5mm



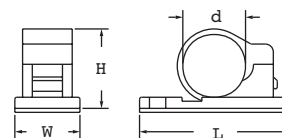
Part Number	Dimensions (mm)			Standard Pack Quantity
	d	d1	W	
101001000202	10.5	8.0	7.0	500
101001400202	14.0	10.5	7.5	500
101002100202	21.5	19.5	8.0	250
101003000202	30.0	25.0	9.0	250

## Adhesive/Screw Fixing Cable Clamps

SR 1789

Black Nylon 6.6

- Flammability rating UL94 V2
- Adhesive and/or screw fixing (diameter 4.4mm)
- Backed with high-quality adhesive tape



Part Number	Cable Diameter (mm) d	Dimensions (mm)			Standard Pack Quantity
		L	W	H	
460287	6.0	25.8	13.4	9.1	100
460288	9.0	29.4	13.4	14.0	100
460289	12.0	35.5	16.4	16.5	100
460290	14.0	36.5	16.4	18.5	100
460291	16.0	38.5	16.4	20.5	100
460292	18.0	42.0	16.4	22.5	100

## Steel Clamp with Vinyl Coating, Adhesive Base

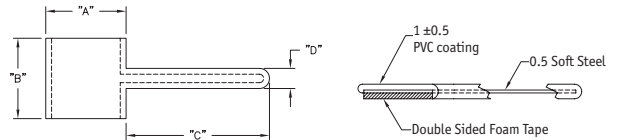
SR 2146

PCC

White, Soft Steel, RMS-203; PVC Coating, RMS-118,  
Adhesive back, RMS-119



Part Number	Dimensions (mm)				Standard Pack Quantity
	"A"	"B"	"C"	"D"	
PCC-5	8	8	15	2.1	1000
PCC-9	14	14	25	3.5	500
PCC-12	19	19	40	4	500

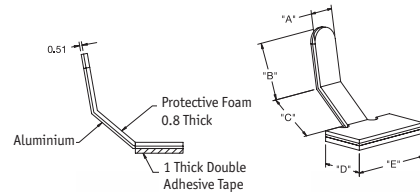


## Plastic Coated Aluminium Clamp, Foam Coated, Adhesive Base

SR 2147

PFC

Grey Coated, Aluminium, RMS-194; Protective Foam, RMS-314;  
Adhesive Back, RMS-93



Part Number	Dimensions (mm)					Standard Pack Quantity
	"A"	"B"	"C"	"D"	"E"	
PFC-25M	4.8	12.55	11.1	10.1	19.1	1000
PFC-50M	5.2	14.55	14.1	14.05	24.95	1000

## Aluminium Clamp on Adhesive Base

SR 21048

ASK

Bright Finish, Aluminium, RMS-194



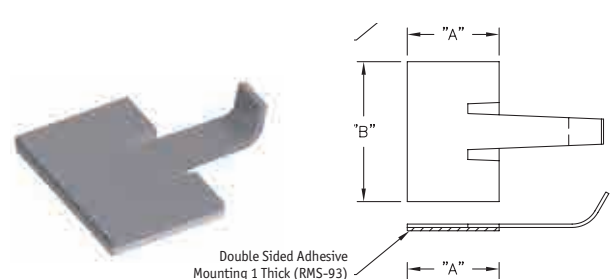
Part Number	Dimensions (mm)			Max. Bundle Ø	Standard Pack Quantity
	"A"	"B"	"C"		
ASK-3	11.3	16.8	9.5	6.0	250
ASK-6	15.7	18.8	14.3	9.5	250

## Aluminium Clamp on Adhesive Base

SR 2149

RAK

Bright Finish, Aluminium, RMS-194



Part Number	Dimensions (mm)		Max. Bundle Ø	Standard Pack Quantity
	"A"	"B"		
RAK-1	11.3	17.1	6.0	250
RAK-2	16.3	19.3	9.5	250

# SCREW, ADHESIVE & FLAT CABLE MOUNTS

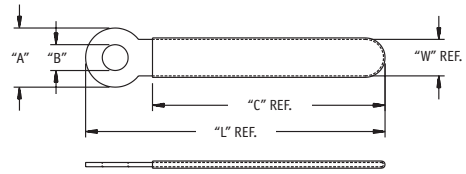
## Adjustable Steel Clamp with Vinyl Coating

SR 2150

VCC

Body: Soft Steel, RMS-243, 0.5 thick

Coating: Soft Black PVC, RMS-118, 0.8 thick



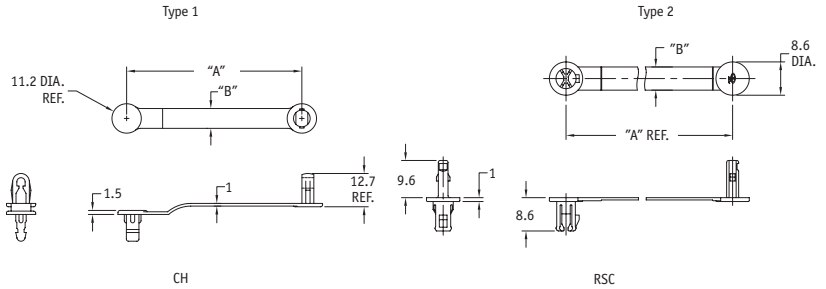
Part Number	Dimensions (mm)					Approximate Bundle Ø	Standard Pack Quantity
	"L"	"C"	"A"	"B"	"W"		
VCC-83028	28	18	8	3.0	3.0	5.7	1000
VCC-83535	35	25	8	3.5	5.0	7.9	1000
VCC-83540	40	30	8	3.5	3.0	9.5	1000
VCC-63048	48	40	6	3.0	2.0	12.7	1000
VCC-84554	54	42	8	4.5	4.8	13.3	1000
VCC-63254	54	46	6	3.2	3.6	14.6	1000
VCC-83664	64	53	8	4.1	5.0	16.9	1000
VCC-84576	76	65	8	4.5	4.5	20.7	1000
VCC-84584	84	72	8	4.5	4.5	22.9	1000
VCC-845126	126	112	8	4.5	6.0	35.6	100

\*Minimum drip allowed at the tip of the part

## Plug in Cable Hanger

SR 2151

CH/RSO



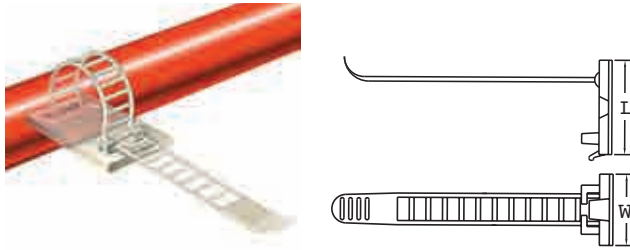
Part Number	Type	Dimensions (mm)					Material	Colour	Standard Pack Quantity
		"A"	"B"	Max Holding Ø	Mounting Hole Ø	Panel Thickness			
CH-1-01	1	44.5	7.5	9.5	6.4	0.8-2.4	UL94 V2 Nylon 6/6, RMS-01	Natural	1000
CH-2-01	1	66.7	7.5	15.9	6.4	0.8-2.4	UL94 V2 Nylon 6/6, RMS-01	Natural	1000
CH-1-01BK	1	44.5	7.5	9.5	6.4	0.8-2.4	UL94 V2 Nylon 6/6, RMS-01	Black	1000
CH-2-01BK	1	66.7	7.5	15.9	6.4	0.8-2.4	UL94 V2 Nylon 6/6, RMS-01	Black	1000
CH-1-10	1	44.5	7.5	9.5	6.4	0.8-2.4	UL94 HB Polypropylene, RMS-10	Natural	1000
CH-2-10	1	66.7	7.5	15.9	6.4	0.8-2.4	UL94 HB Polypropylene, RMS-10	Natural	1000
CH-1-10BK	1	44.5	7.5	9.5	6.4	0.8-2.4	UL94 HB Polypropylene, RMS-10	Black	1000
CH-2-10BK	1	66.7	7.5	15.9	6.4	0.8-2.4	UL94 HB Polypropylene, RMS-10	Black	1000
RSC-3-01	2	28	4	5.6	4.8	0.8-3.2	UL94 V2 Nylon 6/6, RMS-01	Black	1000
RSC-4-01	2	33	6	6.4	4.8	0.8-3.2	UL94 V2 Nylon 6/6, RMS-01	Black	1000
RSC-6-01	2	43	6	9.5	4.8	0.8-3.2	UL94 V2 Nylon 6/6, RMS-01	Black	1000
RSC-9-01	2	63	6	15.9	4.8	0.8-3.2	UL94 V2 Nylon 6/6, RMS-01	Black	1000

## Adjustable Cable Clamps

SR 1787

Natural Nylon 6.6

- Strong adhesion for quick and easy installation
- Flammability rating UL94 V2



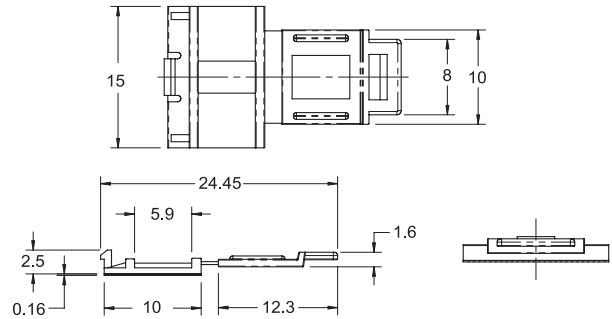
Part Number	Max. Cable Diameter (mm)	Dimensions (mm)		Standard Pack Quantity
		L	W	
460297	17.0	25.0	18.0	100
460298	22.0	30.5	21.0	100
460299	26.0	30.5	21.0	100

## Micro Cable Clamp

SR 2152

MCC

**Black:** UL94 V-2 Nylon 6/6, RMS-01;  
**Adhesive:** RMS-414



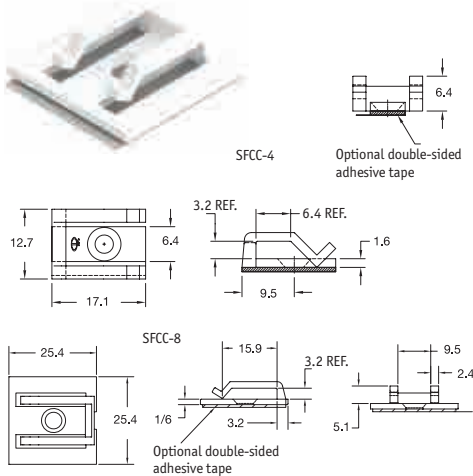
Part Number	Max Cable Ø (mm)	Standard Pack Quantity
MCC-1-01A-BK	1	1000

## Split Flat Cable Clamp

SR 2153

SFCC

Natural: UL94 V2 Nylon 6/6, RMS-01



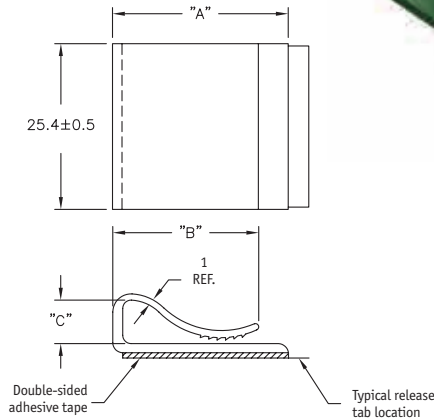
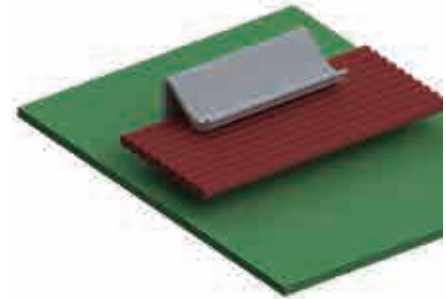
Part Number	Mounting Method	Standard Pack Quantity
SFCC-4-01	#4 or M2.5 Flat Head Screw	1000
SFCC-4-01A-RT	Adhesive, RMS-15	1000
SFCC-8-01	#6 or M3 Flat Head Screw	1000
SFCC-8-01A-RT	Adhesive, RMS-324	1000

## Flat Cable Clamp on Adhesive Base

SR 2154

CFCC

Natural: UL94 V2 Nylon 6/6, RMS-01



Part Number	Dimensions (mm)			Adhesive Material	Plastic Material	Colour	Standard Pack Quantity
	"A"	"B"	"C"				
CFCC-4-05A-RT	14.29	10.2	6.4	RMS-15	RMS-193	White	1000
CFCC-8-04A4-RT	26.97	22.35	6.4	RMS-324	UL94 V0 PVC, RMS-448	Grey	1000
CFCC-3-05	14.29	11.7	4.6	No Adhesive	UL94 V1 PPE/PS, RMS-05	White	1000
CFCC-4-05	14.29	10.2	6.4	No Adhesive	UL94 V1 PPE/PS, RMS-05	White	1000
CFCC-8-01	26.97	22.35	6.4	No Adhesive	UL94 V0 PVC, RMS-04	Grey	1000



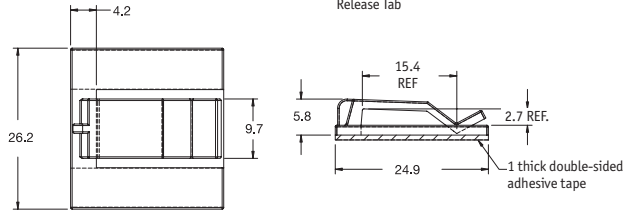
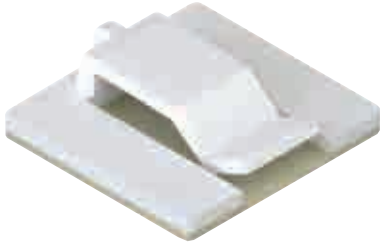
# SCREW, ADHESIVE & FLAT CABLE MOUNTS

## Split Flat Cable Clamp on Adhesive Base

SR 2155

CFCCS

Natural; Nylon 6/6, RMS-01 Adhesive Back, RMS-324



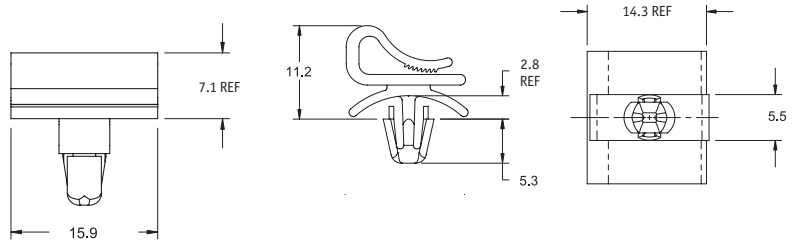
Part Number	Standard Pack Quantity
CFCCS-8-01A4	1000

## Flat Cable Clamp

SR 2156

CFCCA

Natural



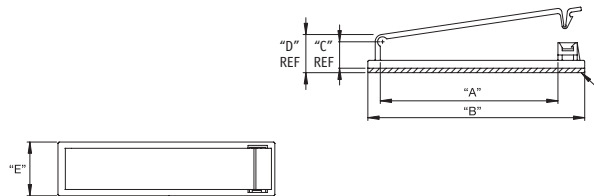
Part Number		Mounting Hole ±0.08 (mm)	Panel Thickness (mm)	Standard Pack Quantity
Nylon 6/6, RMS-01	UL94 V0 Nylon 6/6, RMS-19			
CFCCA-1-01	CFCCA-1-19	4.75	0.79-1.98	1000

## Cable Clamp on Adhesive Base

SR 2157

FCW

Natural; Double Adhesive Back, RMS-350



Part Number		Maximum Number of Conductors	Dimensions (mm)					Standard Pack Quantity
UL94 V2 Nylon 6/6, RMS-01	UL94 V0 Nylon 6/6, RMS-19		"A"	"B"	"C"	"D"	"E"	
FCW-29-01	FCW-29-19	30	31.5	45.1	7.7	11.1	18.9	100
FCW-30-01	FCW-30-19	30	31.6	45.5	9.0	13.1	19.1	100
FCW-40-01	FCW-40-19	40	39.3	53.0	9.3	13.4	19.1	100
FCW-50-01	FCW-50-19	50	63.2	77.2	9.1	13.2	19.1	100
FCW-50H-01	FCW-50H-19	50	64.6	78.2	15.0	19.0	18.9	100

## Cable Clamp with Adhesive Base, Silicone Foam in Centre

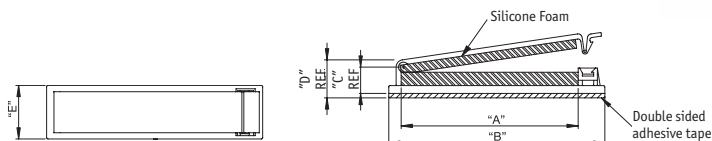
SR 2158

FCWSP

Natural UL94 V0 Nylon 6/6, RMS-19

Cushion: Grey Adhesive backed UL94 V0 Silicone Foam, RMS-135

Adhesive Base: 1.6mm thick, RMS-350



Part Number	Dimensions (mm)					Cushion Thickness Latch Side	Cushion Thickness Base Side	Standard Pack Quantity
	"A"	"B"	"C"	"D"	"E"			
FCWSF-29-19	31.5	45.1	7.7	11.1	18.9	3.3	3.3	100
FCWSF-30-19	31.6	45.5	9.0	13.1	19.1	3.3	4.8	100
FCWSF-40-19	39.3	53	9.3	13.4	19.1	3.3	4.8	100
FCWSF-50-19	63.2	77.2	9.1	13.2	19.1	3.3	4.8	100

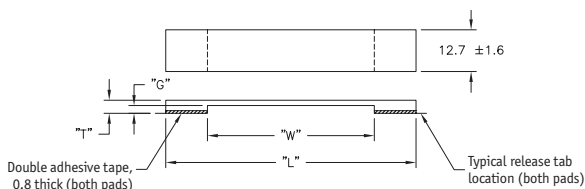
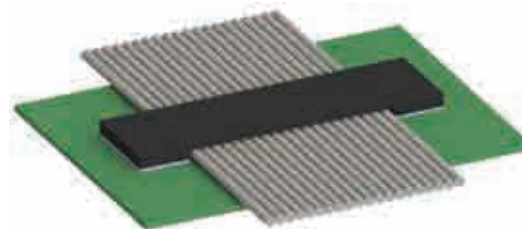
When clamp is closed, slight gap may exist between foam

## Flat Cable Clamp with Adhesive Base

SR 2159

FCC

Black; UL94 V0 PVC, RMS-04



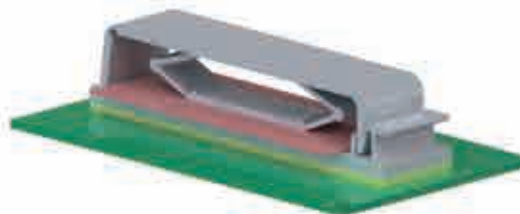
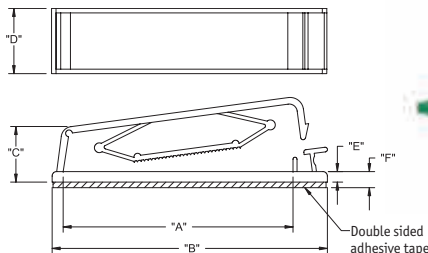
Part Number	Dimensions (mm)					Adhesive Material	Standard Pack Quantity
	"L"	"W"	"T"	"G"	"H"		
FCC-4-3-RT	38.1	12.7	4	2.4	2.4	RMS-15	100
FCC-8-3-RT	50.8	25.4	4	2.4	2.4	RMS-15	100
FCC-16-3-RT	76.2	50.8	4	2.4	2.4	RMS-15	100

## Flat Cable Clamp with Tension on Adhesive Base

SR 2160

TFCC

Natural



Part Number	Dimensions (mm)						Material	Standard Pack Quantity
	"A"	"B"	"C"	"D"	"E"	"F"		
TFCC-30-01	32.0	45.0	15.8	18.6	3.0	4.6	UL94 V2 Nylon 6/6, RMS-74; Adhesive back, RMS-350	100
TFCC-40-01	54.0	67.0	15.8	15.8	3.1	4.7	UL94 V2 Nylon 6/6, RMS-01; Adhesive back, RMS-430	100
TFCC-50-01	65.2	78.4	15.8	18.8	3.1	4.7	UL94 V2 Nylon 6/6, RMS-74; Adhesive back, RMS-350	100

# SCREW, ADHESIVE & FLAT CABLE MOUNTS

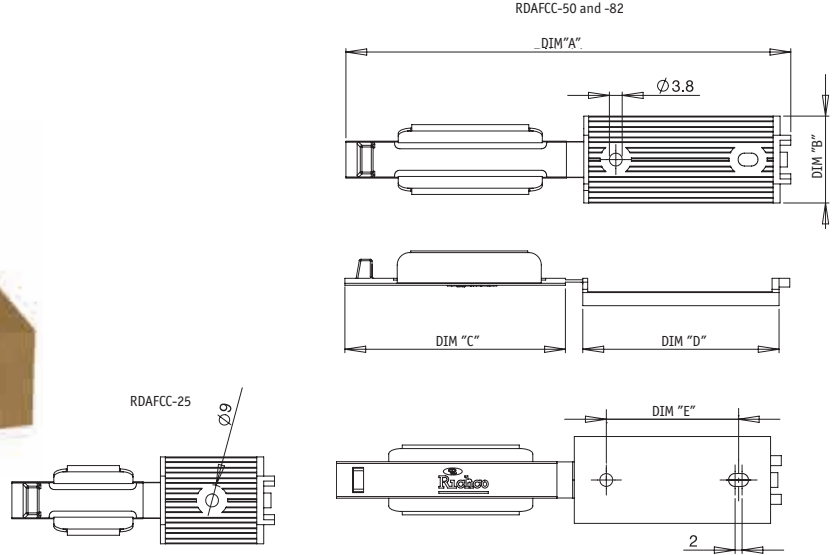
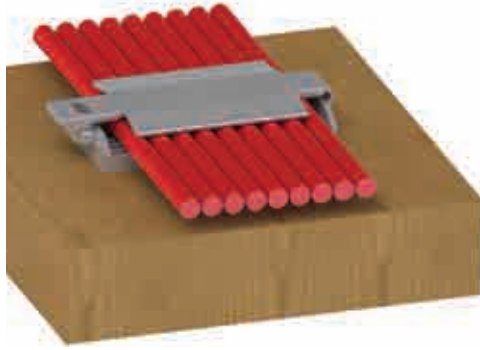
## Flat Cable Clamps

SR 2161

RDAFCO

Grey; UL94 V2 Nylon 6/6, RMS-01;

Optional Double Adhesive Back, RMS-324



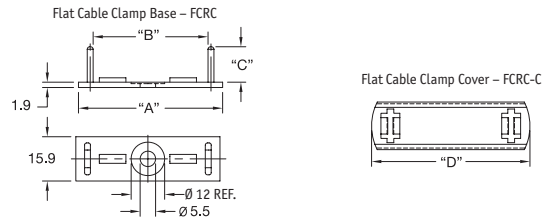
Part Number	Maximum Cable Width	Recommended Maximum Cable Thickness	Mounting Method	Dimensions (mm)					Standard Pack Quantity
				"A"	"B"	"C"	"D"	"E"	
RDAFC-25	25.4	5	#6 or M3 Screw	75.8	25.0	37.9	29.7	-	100
RDAFC-25A	25.4	5	Adhesive	75.8	25.0	37.9	29.7	-	100
RDAFC-50	50.8	5	#6 or M3 Screw	128.5	25.0	63.5	56.5	38	100
RDAFC-50A	50.8	5	Adhesive	128.5	25.0	63.5	56.5	38	100
RDAFC-82	76.2	5	#6 or M3 Screw	179.4	25.4	88.5	82.8	38	100
RDAFC-82A	76.2	5	Adhesive	179.4	25.4	88.5	82.8	38	100

## Flat Cable Clamps

SR 2162

FCRC

Natural; UL94 V2 Nylon 6/6, RMS-01 ; 0.8 Thick Adhesive Back, RMS-15



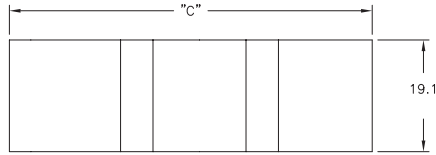
Part Number		Dimensions (mm)					Standard Pack Quantity
W/Out Adhesive	With Adhesive	"A"	"B"	"C"	Use Cover Part No.	"D"	
FCRC-13B-4	FCRC-13B-4A-RT	51.7	41.2	12.7	FCRC-13C	56.8	100
-	FCRC-19B-4A-RT	69.1	58.7	12.7	FCRC-19C	74.2	100
FCRC-21B-4	FCRC-21B-4A-RT	75.7	64.8	12.7	FCRC-21C	80.5	100
FCRC-26B-4	FCRC-26B-4A-RT	93.0	82.3	12.7	FCRC-26C	98.0	100
FCRC-13B-6	-	51.7	41.2	19.1	FCRC-13C	56.8	100
FCRC-19B-6	FCRC-19B-6A-RT	69.1	58.7	19.1	FCRC-19C	74.2	100
FCRC-21B-6	FCRC-21B-6A-RT	75.7	64.8	19.1	FCRC-21C	80.5	100
FCRC-26B-6	FCRC-26B-6A-RT	93.0	82.3	19.1	FCRC-26C	98.0	100

## Dual Flat Cable Clamp with Adhesive Base

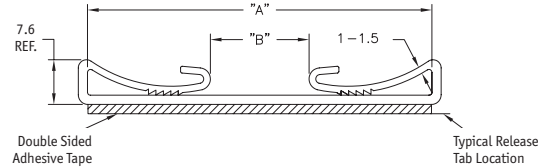
SR 2163

DFCC

Black; UL94 V0 PVC, RMS-04



Part Number	Dimensions (mm)			Adhesive Material	Standard Pack Quantity
	"A"	"B"	"C"		
DFCC-2-RT	58.7	16.8	61.9	RMS-15	100
DFCC-3-RT	82.6	40.6	85.7	RMS-15	100

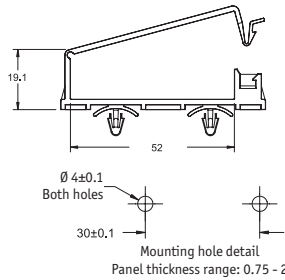


## Flat Cable Clamp Arrowhead Mounted

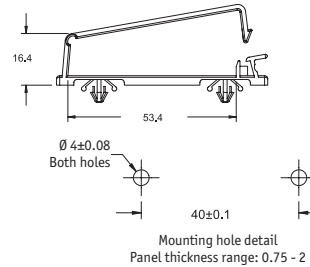
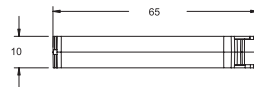
SR 2164

FCCA

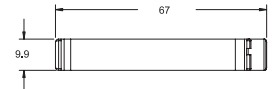
Natural; Nylon 6/6, RMS-01



FCCA-30A-01



FCCA-40A-01



Part Number	Standard Pack Quantity
FCCA-30A-01	100
FCCA-40A-01	100

## Cable Clamp Arrowhead Mounted

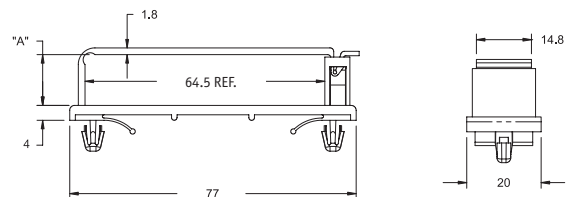
SR 2165

FCCB

Natural; UL94 V2 Nylon 6/6, RMS-01



Part Number	"A" (mm)	Standard Pack Quantity
FCCB-1	7.2	100
FCCB-2	13.7	100



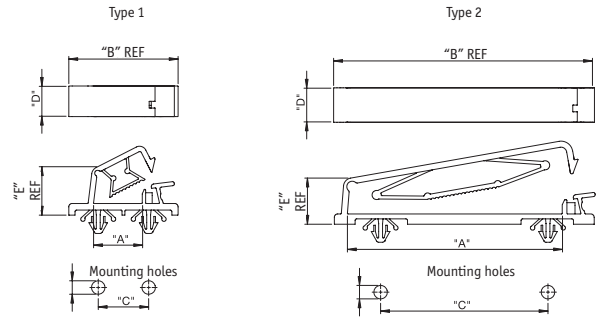
# SCREW, ADHESIVE & FLAT CABLE MOUNTS

## Arrowhead Mounted Flat Cable Clamp with Tension

T SR 2166

FCM

Natural



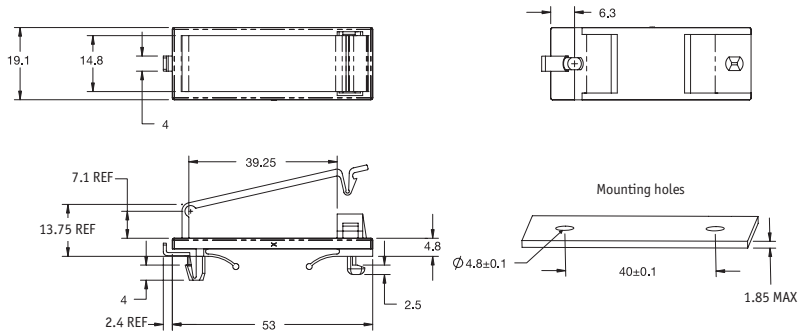
Part Number		Type	Dimensions (mm)					Mounting Hole Ø	Panel Thickness	Standard Pack Quantity
Nylon 6/6, RMS-01	UL94 V0 Nylon 6/6, RMS-19		"A"	"B"	"C"	"D"	"E"			
TFCCA-15-01	-	1	15.5	32.5	15.0	9.1	14.1	4	1 - 2	100
TFCCA-25-01	TFCCA-25-19	2	24.7	39.3	20.0	13.2	12.7	4	1 - 2	100
TFCCA-40-01	TFCCA-40-19	2	54.1	67.0	40.0	10.0	16.3	4	1 - 2	100
TFCCA-50-01	TFCCA-50-19	2	63.8	77.2	10.2	10.2	13.7	4	1 - 2	100

## Slide Entry Cable Clamp

SR 2167

FCSE

Natural UL94 V2 Nylon 6/6, RMS-01



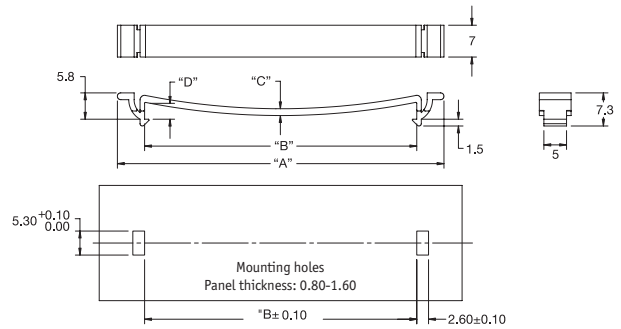
Part Number	Standard Pack Quantity
FCSE-1	100

## Snap In Flat Cable Clamp

SR 2168

FCCS

Natural Nylon 6/6, RMS-19



Part Number	Dimensions (mm)				Standard Pack Quantity
	"A"	"B"	"C"	"D"	
FCCS-1	27	15	0.8	3.4	500
FCCS-2	42	30	1.0	3.7	500
FCCS-3	47	35	1.0	3.7	500
FCCS-4	57	45	1.2	3.7	500
FCCS-5	72	60	1.5	3.7	500

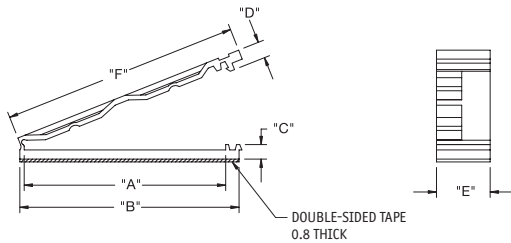
## Flat Cable Clamp with Adhesive Base

SR 2169

TFCM

Natural; Nylon 6/6, RMS-74;

Adhesive back, RMS-431



Part Number	Dimensions (mm)						Standard Pack Quantity
	"A"	"B"	"C"	"D"	"E"	"F"	
TFCM-25S	22.0	27.0	3	4.7	10	32	200
TFCM-25	29.3	36.5	3	4.7	10	40	200
TFCM-25M	55.8	61.2	4	4.7	15	66	100

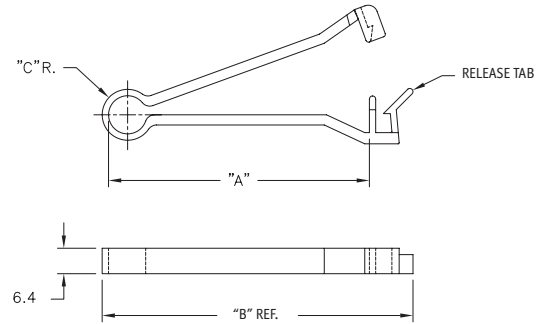
## Flat Cable Loop Clip

SR 2170

FCLC/FCLCS

Natural; Nylon 6/6,

RMS-01



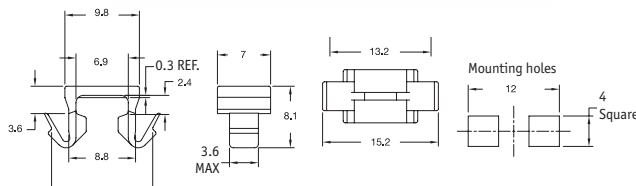
Part Number	Dimensions (mm)			Standard Pack Quantity
	"A" Max. Cable Width	"B"	"C"	
FCLCS	38.1	50.8	5.8	500
FCLC	63.5	76.2	6.4	500

## Flat Cable Loop Clamp

SR 2171

FCCE

Natural; UL94V2 Nylon 6/6, RMS-01

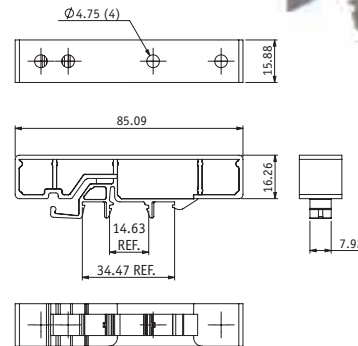
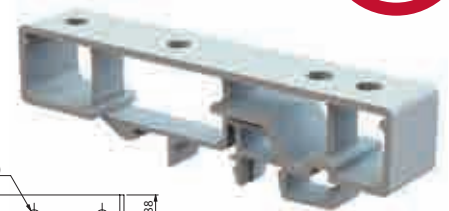


Part Number	Dimensions (mm)		Standard Pack Quantity
	Max Cable Width	Panel Thickness	
FCCE-9-01	6.35	1 - 1.2	1000

## Dinn Rail Clip

SR E-0015

Natural PA 6.6



\*Dimensions are in drawing in inches

Part Number	Standard Pack Quantity
23DRC001	100

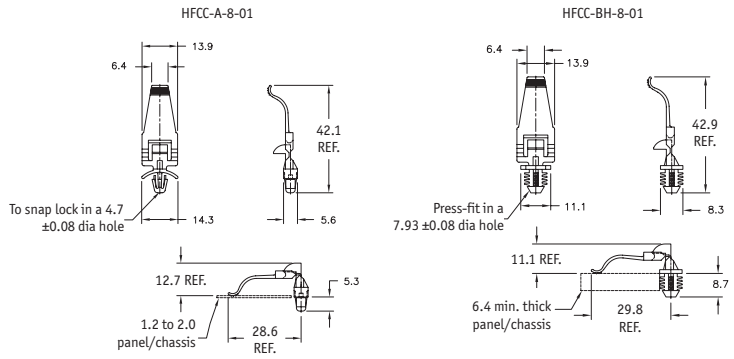
# SCREW, ADHESIVE & FLAT CABLE MOUNTS

## Hinged Cable Clamp - Self Mounting

SR 2172

HFCC

Natural, Nylon 6/6 RMS-01

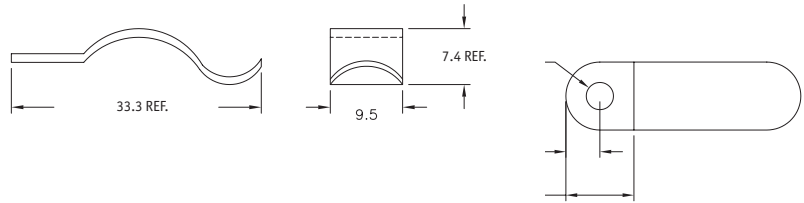


Part Number	Standard Pack Quantity
HFCC-A-8-01	1000
HFCC-BH-8-01	1000

## Tension Clamp

SR 2173

TC



Part Number	Colour	Max Hold $\varnothing$ (mm)	Mounting Method	Material	Standard Pack Quantity
TC-30-1	Natural	9.5	M3 or #6 Screw or Rivet	Acetal, RMS-14	1000
TC-30-1BK	Black	9.5	M3 or #6 Screw or Rivet	Acetal, RMS-14	1000
TC-30-1-01	Natural	9.4	M3 or M3.5	Nylon 6/6, RMS-01	1000
TC-30-1-01BK	Black	9.4	M3 or M3.5	Nylon 6/6, RMS-01	1000

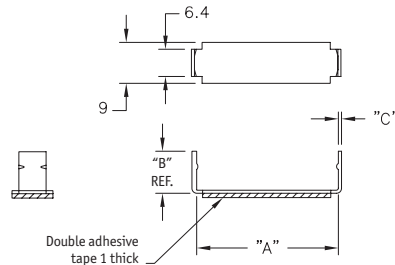
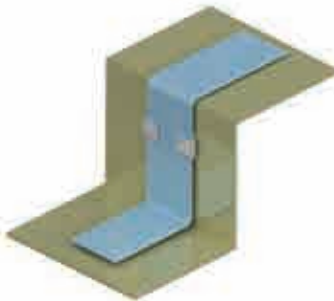
## Aluminium Flat Cable Clamp with Adhesive Base

SR 2174

AFCC

Bright Finish Aluminum, RMS-194

Adhesive Back, RMS-34



Part Number	Cable Width "A"	Dimensions (mm)		Standard Pack Quantity
		"B"	"C"	
AFCC-08	12.7	6.4	0.5	250
AFCC-12	19.1	6.4	0.5	250
AFCC-16	25.4	7.9	0.5	250
AFCC-20	31.8	9.5	0.5	250
AFCC-21	33.3	9.8	0.5	250
AFCC-28	44.5	12.7	0.7	250
AFCC-32	50.8	14.3	0.7	250

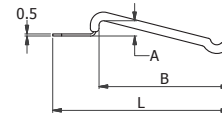
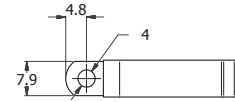
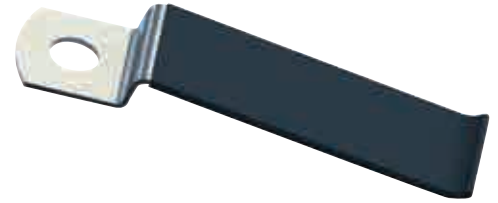
## Vinyl Coated Steel Spring Clip

SR 2175

STCV

Stainless Steel SAE30301

- Coated in Black Plastisol Vinyl for protection and insulation
- Holds down round cables, ribbon cables and tubing
- Mounts with an M3 screw or rivet
- Flexible so that the cable can be removed without having to remove the clip



Part Number	Dimensions (mm)			Standard Pack Quantity
	A	B	L	
STCV-1	2.3	30.2	40.9	1000

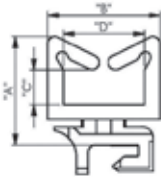
## DIN Rail Mounting Cable Clip

SR 2176

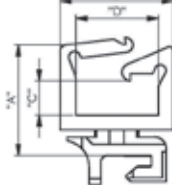
Natural Nylon 6/6 UL-94 V-2

- For use in all common DIN rail profiles
- No installation tools required
- Lightweight
- Long term cable management solution
- Can be retrofitted to current installations
- Different cable clip styles

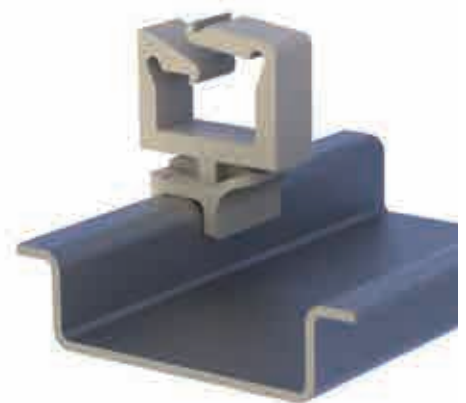
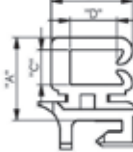
Type 1



Type 2



Type 3



Part Number	Dimensions (mm)				Type	DIN Rail Style	Standard Pack Quantity
	A	B	C	D			
DRCC-WS01	14.8	15.4	4.8	11.1	1	C-Profile	1000
DRCC-LWS01	15.1	15.5	3.6	11.3	2	C-Profile	1000
DRCT-WS01	14.8	15.4	4.8	11.1	1	Top Hat-Profile	1000
DRCT-LWS01	15.1	15.5	3.6	11.3	2	Top Hat-Profile	1000
DRCT-SEC01	11.4	11.2	4.8	6.4	3	Top Hat-Profile	1000
DRCG-WS01	14.8	15.4	4.8	11.1	1	G-Profile	1000
DRCG-LWS01	15.1	15.5	3.6	11.3	2	G-Profile	1000
DRCG-SEC01	11.4	11.2	4.8	6.4	3	G-Profile	1000