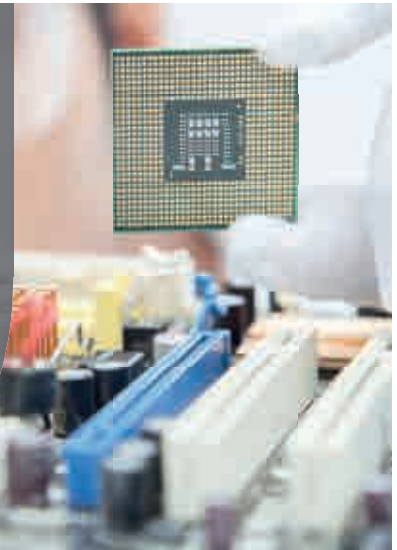


FIND THE SPACERS YOU **NEED**

- Huge selection of PCB support products for a variety of locking method requirements
- Mounting types to suit your PCB application requirements
- Great choice of hex standoffs and more for high-critical strength requirements



133



138



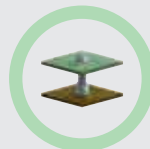
143



145



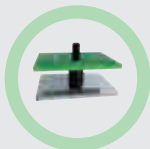
151



153



162



176



178



180



185



187



192



196



200



202



204

MORE THAN
4,000
CIRCUIT BOARD
HARDWARE
PRODUCTS
AVAILABLE

CIRCUIT BOARD HARDWARE



DUAL LOCKING SPACERS

132



PUSH SPACERS

149



REVERSE LOCKING SPACERS

153



SPECIALIST SPACERS

158



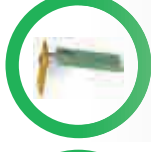
THREADED AND
NON-THREADED SPACERS

168



INSULATORS

187



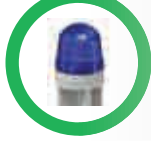
MOUNTING

190



CARD GUIDES AND PULLERS

194



LED HARDWARE

202

DUAL LOCKING SPACERS

Locking Circuit Board Support

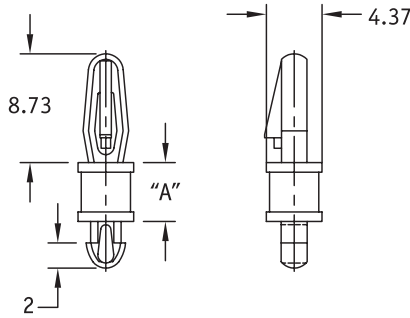
SR 2705

LCBST/CLCBST/LMSP/CBS/LNCBS

Natural

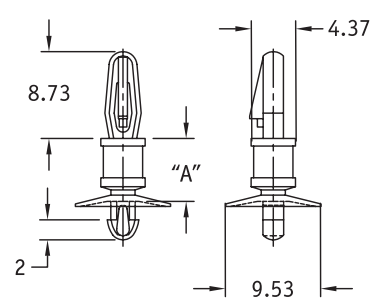


LCBST
Top Hole: Snap-lock: 3.18 ± 0.05
Panel Thickness: 1.57
Type 1



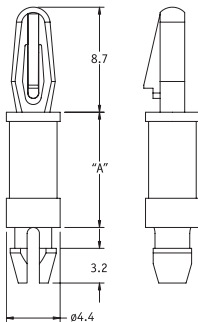
Bottom Hole: Snap-lock: 2.54 ± 0.05
Panel Thickness: 1.63 Max.

CLCBST
Top Hole: Snap-lock: 3.18 ± 0.05
Panel Thickness: 1.57
Type 2



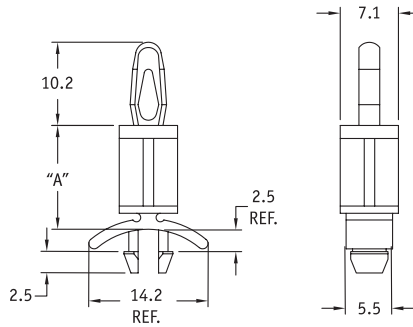
Bottom Hole: Snap-lock: 2.54 ± 0.05
Panel Thickness: 1.57

LMSP
Top Hole: Snap-lock: 3.18 ± 0.05
Panel Thickness: 1.57
Type 3



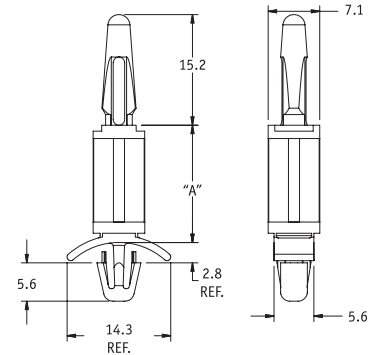
Bottom Hole: Snap-lock: 3.18 ± 0.05
Panel Thickness: 1.57

CBS
Top Hole: Snap-fit: 4 ± 0.08
Panel Thickness: 1.57
Type 4



Bottom Hole: Snap-lock: 4.75 ± 0.08
Panel Thickness: 0.79 - 1.98

LNCBS
Top Hole: Snap-fit: 4 ± 0.08
Panel Thickness: 1.57
Type 5



Bottom Hole: Snap-lock: 4.75 ± 0.08
Panel Thickness: 0.79 - 1.98

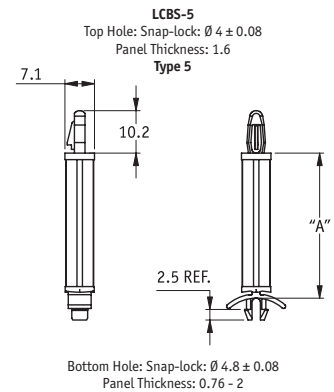
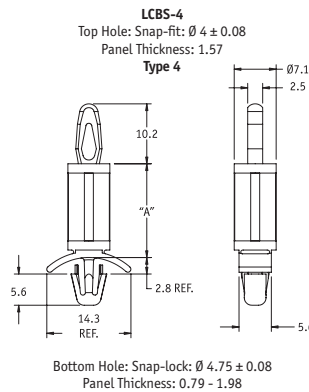
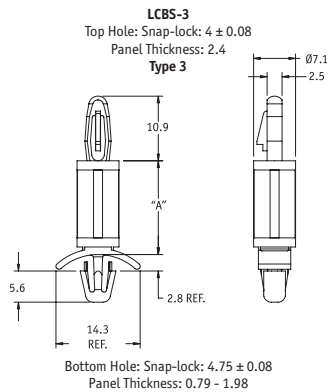
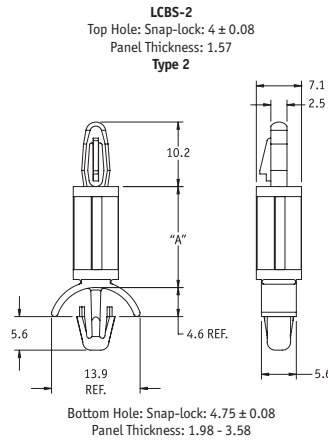
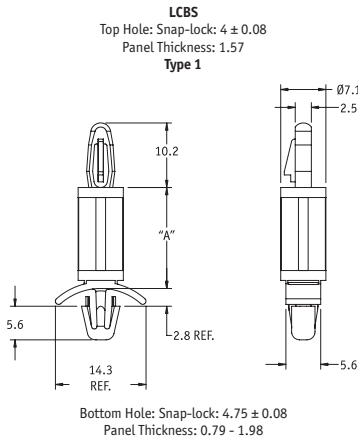
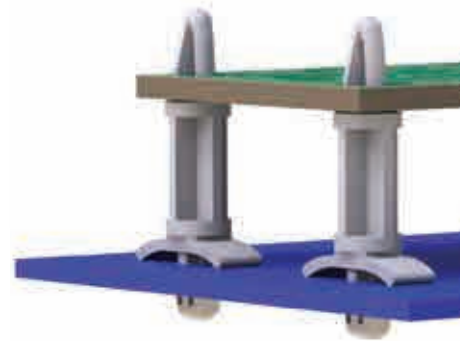
Part Number							"A" Standoff Height	Standard Pack Quantity
LCBST (Type 1)	CLCBST (Type 2)	LMSP (Type 3)		CBS (Type 4)		LNCBS (Type 5)		
UL94 V2 Nylon 6/6, RMS-01	UL94 V2 Nylon 6/6, RMS-01	UL94 V2 Nylon 6/6 RMS-01	UL94 V0 Nylon 6/6, RMS-19	UL94 V2 Nylon 6/6, RMS-01	UL94 V0 Nylon 6/6, RMS-19	UL94 V2 Nylon 6/6, RMS-01		
LCBST-2-01	CLCBST-2-01	LMSP-2-01	LMSP-2-19	-	-	-	3.2	1000
LCBST-3-01	CLCBST-3-01	LMSP-3-01	LMSP-3-19	CBS-3-01	CBS-3-19	LNCBS-3-01	4.8	1000
LCBST-4-01	CLCBST-4-01	LMSP-4-01	LMSP-4-19	CBS-4-01	CBS-4-19	LNCBS-4-01	6.4	1000
LCBST-5-01	CLCBST-5-01	LMSP-5-01	-	-	-	-	7.9	1000
LCBST-6-01	CLCBST-6-01	LMSP-6-01	LMSP-6-19	CBS-6-01	CBS-6-19	LNCBS-6-01	9.5	1000
LCBST-7-01	CLCBST-7-01	LMSP-7-01	LMSP-7-19	-	-	-	11.1	1000
LCBST-8-01	CLCBST-8-01	LMSP-8-01	LMSP-8-19	CBS-8-01	CBS-8-19	LNCBS-8-01	12.7	1000
LCBST-9-01	CLCBST-9-01	LMSP-9-01	LMSP-9-19	-	-	-	14.3	1000
LCBST-10-01	CLCBST-10-01	LMSP-10-01	-	CBS-10-01	-	-	15.9	1000
-	-	LMSP-12-01	-	CBS-12-01	CBS-12-19	LNCBS-12-01	19.1	1000
-	-	LMSP-14-01	LMSP-14-19	CBS-14-01	CBS-14-19	LNCBS-14-01	22.2	1000

Locking Circuit Board Support

SR 2706

LCBS

Natural



Can't find the size you are looking for? Contact us!

Part Number										"A" Standoff Height	Standard Pack Quantity
LCBS (Type 1)		LCBS-2 (Type 2)		LCBS-3 (Type 3)		LCBS-4 (Type 4)		LCBS-5 (Type 5)			
UL94 V2 Nylon 6/6, RMS-01	UL94 V0 Nylon 6/6, RMS-19	UL94 V2 Nylon 6/6, RMS-01	UL94 V0 Nylon 6/6, RMS-19	UL94 V2 Nylon 6/6, RMS-01	UL94 V0 Nylon 6/6, RMS-19	UL94 V2 Nylon 6/6, RMS-01	UL94 V0 Nylon 6/6, RMS-19	UL94 V2 Nylon 6/6, RMS-01	UL94 V0 Nylon 6/6, RMS-19		
LCBS-3-01	LCBS-3-19	LCBS-2-3-01	LCBS-2-3-19	LCBS-3-3-01	LCBS-3-3-19	LCBS-4-3-01	LCBS-4-3-19	LCBS-5-3-01	-	4.8	1000
LCBS-6M-01	-	-	-	-	-	-	-	-	-	6	1000
LCBS-4-01	LCBS-4-19	LCBS-2-4-01	LCBS-2-4-19	LCBS-3-4-01	-	LCBS-4-4-01	LCBS-4-4-19	LCBS-5-4-01	LCBS-5-4-19	6.4	1000
LCBS-5-01	-	LCBS-2-5-01	LCBS-2-5-19	LCBS-3-5-01	LCBS-3-5-19	LCBS-4-5-01	LCBS-4-5-19	LCBS-5-5-01	-	7.9	1000
LCBS-8M-01	LCBS-8M-19	-	-	-	-	-	-	-	-	8	1000
LCBS-6-01	LCBS-6-19	LCBS-2-6-01	LCBS-2-6-19	LCBS-3-6-01	-	LCBS-4-6-01	LCBS-4-6-19	LCBS-5-6-01	LCBS-5-6-19	9.5	1000
LCBS-10M-01	LCBS-10M-19	-	-	-	-	-	-	-	-	10	1000
LCBS-7-01	LCBS-7-19	LCBS-2-7-01	LCBS-2-7-19	LCBS-3-7-01	LCBS-3-7-19	LCBS-4-7-01	LCBS-4-7-19	LCBS-5-7-01	-	11.1	1000
LCBS-12M-01	LCBS-12M-19	-	-	-	-	-	-	-	-	12	1000
LCBS-8-01	LCBS-8-19	LCBS-2-8-01	LCBS-2-8-19	LCBS-3-8-01	-	LCBS-4-8-01	LCBS-4-8-19	LCBS-5-8-01	LCBS-5-8-19	12.7	1000
LCBS-14M-01	LCBS-14M-19	-	-	-	-	-	-	-	-	14	1000
LCBS-10-01	LCBS-10-19	LCBS-2-10-01	LCBS-2-10-19	-	LCBS-3-10-19	-	LCBS-4-10-19	LCBS-5-10-01	LCBS-5-10-19	15.9	1000
LCBS-16M-01	LCBS-16M-19	-	-	-	-	-	-	-	-	16	1000
LCBS-12-01	LCBS-12-19	LCBS-2-12-01	-	LCBS-3-12-01	-	LCBS-4-12-01	LCBS-4-12-19	LCBS-5-12-01	-	19.1	1000
LCBS-14-01	LCBS-14-19	LCBS-2-14-01	LCBS-2-14-19	LCBS-3-14-01	LCBS-3-14-19	LCBS-4-14-01	LCBS-4-14-19	-	LCBS-5-14-19	22.4	1000
LCBS-16-01	LCBS-16-19	LCBS-2-16-01	-	LCBS-3-16-01	LCBS-3-16-19	LCBS-4-16-01	LCBS-4-16-19	-	LCBS-5-16-19	25.2	1000
LCBS-18-01	-	LCBS-2-18-01	LCBS-2-18-19	LCBS-3-18-01	LCBS-3-18-19	-	LCBS-4-18-19	LCBS-5-18-01	LCBS-5-18-19	28.6	1000
LCBS-20-01	LCBS-20-19	LCBS-2-20-01	LCBS-2-20-19	-	LCBS-3-20-19	LCBS-4-20-01	LCBS-4-20-19	LCBS-5-20-01	LCBS-5-20-19	31.7	1000
LCBS-22-01	LCBS-22-19	LCBS-2-22-01	LCBS-2-22-19	LCBS-3-22-01	LCBS-3-22-19	-	LCBS-4-22-19	LCBS-5-22-01	-	34.9	1000

DUAL LOCKING SPACERS

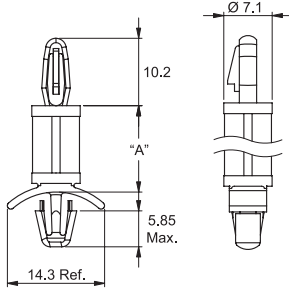
Locking Circuit Board Support CONTINUED

SR 2706

LCBS

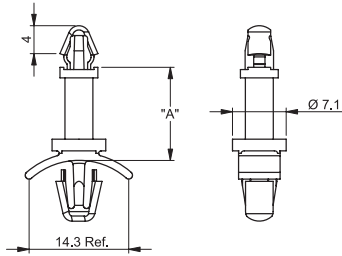
- Type 10 – Max. Temperature 200°C

LCBS-6
Top Hole: Snap-Lock: $\emptyset 4$
Panel Thickness: 3.2
Type 6



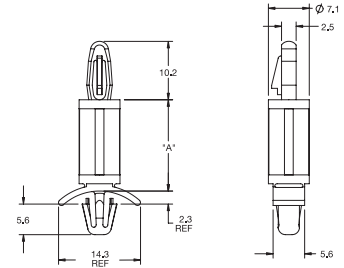
Bottom Hole: $\emptyset 4.8$
Panel Thickness: 2 - 3.2

LCBS-7
Top Hole: Snap-Lock: $\emptyset 4 \pm 0.08$
Panel Thickness: 1.6
Type 7



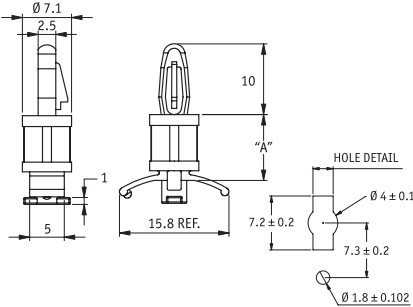
Bottom Hole Snap-Lock: $\emptyset 4.75 \pm 0.08$
Panel Thickness: 0.8 - 2

LCBS-8
Top Hole: Snap-Lock: 4 ± 0.08
Panel Thickness: 1.57
Type 8



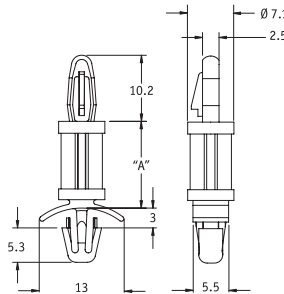
Bottom Hole: Snap-Lock: 4.75 ± 0.08
Panel Thickness: 0.2 - 1.4

LCBS-9
Top Hole: Snap-Lock: $\emptyset 4 \pm 0.08$
Panel Thickness: 1.6
Type 9



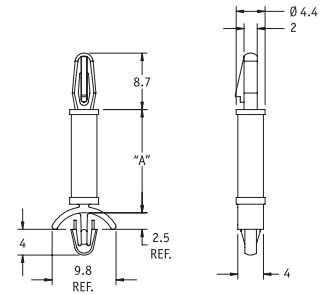
Bottom Hole: See Hole Detail
Panel Thickness: 0.8 - 1.6

LCBS-HT
Top Hole: Snap-Lock: $\emptyset 4 \pm 0.08$
Panel Thickness: 1.57
Type 10



Bottom Hole: Snap-Lock: 4.75 ± 0.08
Panel Thickness: 0.79 - 1.98

LCBSM
Top Hole: Snap-Lock: 3.18 ± 0.05
Panel Thickness: 1.57
Type 11



Bottom Hole: Snap-Lock: 3.18 ± 0.05
Panel Thickness: 0.79 - 1.98

LCBS-6 (Type 6)		LCBS-7 (Type 7)		LCBS-8 (Type 8)		LCBS-9 (Type 9)		LCBS-HT (Type 10)	LCBSM (Type 11)	"A" Standoff Height	Standard Pack Quantity
Natural UL94 V2 Nylon 6/6, RMS-01	Natural UL94 V0 Nylon 6/6, RMS-19	Natural UL94 V2 Nylon 6/6, RMS-01	Natural UL94 V0 Nylon 6/6, RMS-19	Natural UL94 V2 Nylon 6/6, RMS-01	Natural UL94 V0 Nylon 6/6, RMS-19	Natural UL94 V2 Nylon 6/6, RMS-01	Natural UL94 V0 Nylon 6/6, RMS-19	Black UL94 V0 PEI, RMS-162	Natural UL94 V2 Nylon 6/6, RMS-01		
-	-	-	-	-	-	-	-	-	LCBSM-2-01	3.2	1000
LCBS-6-3-01	LCBS-6-3-19	LCBS-7-3-01	LCBS-7-3-19	LCBS-8-3-01	LCBS-8-3-19	LCBS-9-3-01	LCBS-9-3-19	LCBS-3-HT	LCBSM-3-01	4.8	1000
LCBS-6-4-01	LCBS-6-4-19	LCBS-7-4-01	LCBS-7-4-19	LCBS-8-4-01	LCBS-8-4-19	LCBS-9-4-01	LCBS-9-4-19	LCBS-4-HT	LCBSM-4-01	6.4	1000
LCBS-6-5-01	LCBS-6-5-19	LCBS-7-5-01	LCBS-7-5-19	LCBS-8-5-01	LCBS-8-5-19	LCBS-9-5-01	LCBS-9-5-19	LCBS-5-HT	LCBSM-5-01	7.9	1000
LCBS-6-6-01	LCBS-6-6-19	LCBS-7-6-01	-	LCBS-8-6-01	LCBS-8-6-19	-	LCBS-9-6-19	LCBS-6-HT	LCBSM-6-01	9.5	1000
-	LCBS-6-7-19	LCBS-7-7-01	LCBS-7-7-19	LCBS-8-7-01	LCBS-8-7-19	LCBS-9-7-01	LCBS-9-7-19	LCBS-7-HT	LCBSM-7-01	11.1	1000
LCBS-6-8-01	LCBS-6-8-19	LCBS-7-8-01	LCBS-7-8-19	LCBS-8-8-01	LCBS-8-8-19	-	LCBS-9-8-19	-	LCBSM-8-01	12.7	1000
-	-	-	-	-	-	-	-	-	LCBSM-9-01	14.3	1000
LCBS-6-10-01	-	LCBS-7-10-01	LCBS-7-10-19	LCBS-8-10-01	LCBS-8-10-19	-	-	LCBS-10-HT	LCBSM-10-01	15.9	1000
LCBS-6-12-01	LCBS-6-12-19	LCBS-7-12-01	LCBS-7-12-19	LCBS-8-12-01	LCBS-8-12-19	LCBS-9-12-01	LCBS-9-12-19	LCBS-12-HT	-	19.1	1000
LCBS-6-14-01	LCBS-6-14-19	LCBS-7-14-01	-	LCBS-8-14-01	LCBS-8-14-19	LCBS-9-14-01	LCBS-9-14-19	LCBS-14-HT	-	22.2	1000
LCBS-6-16-01	-	LCBS-7-16-01	LCBS-7-16-19	LCBS-8-16-01	LCBS-8-16-19	LCBS-9-16-01	LCBS-9-16-19	LCBS-16-HT	-	25.4	1000
LCBS-6-18-01	LCBS-6-18-19	LCBS-7-18-01	LCBS-7-18-19	LCBS-8-18-01	LCBS-8-18-19	LCBS-9-18-01	-	LCBS-18-HT	-	28.6	1000
LCBS-6-20-01	LCBS-6-20-19	LCBS-7-20-01	LCBS-7-20-19	-	LCBS-8-20-19	LCBS-9-20-01	LCBS-9-20-19	LCBS-20-HT	-	31.7	1000
LCBS-6-22-01	LCBS-6-22-19	LCBS-7-22-01	LCBS-7-22-19	-	LCBS-8-22-19	LCBS-9-22-01	LCBS-9-22-19	LCBS-22-HT	-	34.9	1000

Dual Locking Circuit Board Support

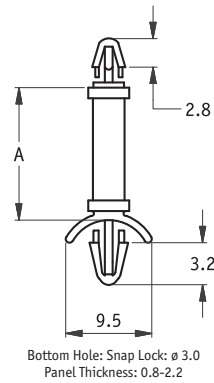
SR 2707

CBDLS

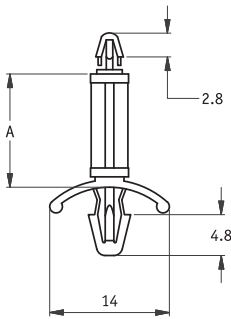
Natural UL94 V-2 Nylon 6/6

- Easily mounted by hand
- Arrowhead fixings held firmly in place with tension wings

Top Hole: Snap Lock: ϕ 3.0
Panel Thickness: 1.2-1.7
Type 3

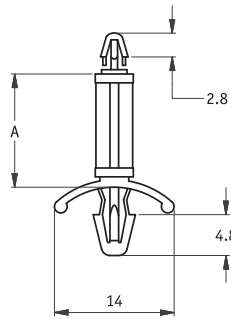


Top Hole: Snap Lock: ϕ 3.5
Panel Thickness: 1.2-1.7
Type 1



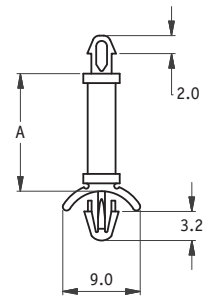
Bottom Hole: Snap Lock: ϕ 4.8
Panel Thickness: 0.8-2.2

Top Hole: Snap Lock: ϕ 3.0
Panel Thickness: 1.2-1.7
Type 2



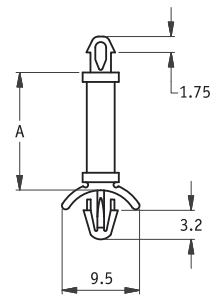
Bottom Hole: Snap Lock: ϕ 4.8
Panel Thickness: 0.8-2.2

Top Hole: Snap Lock: ϕ 2.5
Panel Thickness: 1.6
Type 4



Bottom Hole: Snap Lock: ϕ 3.0-3.2
Panel Thickness: 0.8-2.0

Top Hole: Snap Lock: ϕ 2.0
Panel Thickness: 1.6
Type 5



Bottom Hole: Snap Lock: ϕ 3.0-3.2
Panel Thickness: 0.8-2.0

Part Number					"A" Standoff Height (mm)	Standard Pack Quantity
CBLS1 (Type 1)	CBLS2 (Type 2)	CBLS3 (Type 3)	CBLS4 (Type 4)	CBLS5 (Type 5)		
CBLS105A	CBLS205A	CBLS305A	CBLS405A	CBLS505A	3.2	1000
-	CBLS210A	CBLS310A	CBLS410A	CBLS510A	4.8	1000
CBLS110A	-	-	-	-	5.0	1000
CBLS115A	CBLS215A	-	-	-	6.3	1000
-	-	CBLS315A	CBLS415A	CBLS515A	6.4	1000
-	-	CBLS320A	CBLS420A	CBLS520A	7.9	1000
CBLS120A	CBLS220A	-	-	-	8.0	1000
-	-	CBLS325A	CBLS425A	CBLS525A	9.5	1000
CBLS125A	CBLS225A	-	-	-	10.0	1000
-	-	CBLS330A	CBLS430A	CBLS530A	11.7	1000
CBLS130A	CBLS230A	-	-	-	12.0	1000
-	-	CBLS335A	CBLS435A	CBLS535A	12.7	1000
CBLS135A	CBLS235A	-	-	-	14.0	1000
-	-	CBLS340A	CBLS440A	CBLS540A	14.3	1000
-	-	CBLS345A	CBLS445A	CBLS545A	15.9	1000
CBLS140A	CBLS240A	-	-	-	16.0	1000
CBLS145A	CBLS245A	-	-	-	18.0	1000
-	-	CBLS350A	-	-	19.0	1000
CBLS150A	CBLS250A	-	-	-	25.0	1000

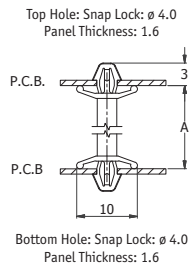
Dual Locking Circuit Board Support

SR 2708

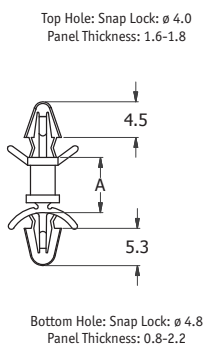
CBDLS

Natural UL94 V-2 Nylon 6/6

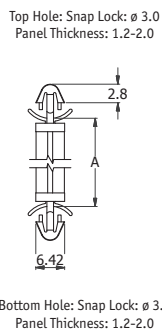
- Easily mounted by hand
- Arrowhead fixings held firmly in place with tension wings



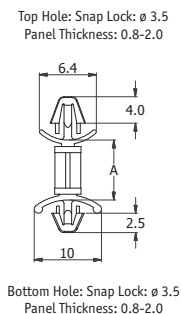
Part Number	"A" Standoff Height (mm)	Standard Pack Quantity
CBDLS105A	6.0	1000
CBDLS110A	8.0	1000
CBDLS115A	10.0	1000
CBDLS120A	12.0	1000
CBDLS125A	13.0	1000
CBDLS130A	14.0	1000
CBDLS135A	16.0	1000
CBDLS140A	16.8	1000
CBDLS145A	18.0	1000
CBDLS150A	20.0	1000



Part Number	"A" Standoff Height (mm)	Standard Pack Quantity
CBDLS305A	4.0	1000
CBDLS310A	5.0	1000
CBDLS315A	6.4	1000
CBDLS320A	7.0	1000
CBDLS325A	9.5	1000
CBDLS330A	10.0	1000
CBDLS335A	12.7	1000
CBDLS340A	15.9	1000
CBDLS345A	19.0	1000
CBDLS350A	20.0	500
CBDLS355A	22.0	500
CBDLS360A	25.4	500
CBDLS365A	28.6	500
CBDLS370A	30.0	500
CBDLS375A	35.0	500
CBDLS380A	38.0	500
CBDLS385A	45.0	500



Part Number	"A" Standoff Height (mm)	Standard Pack Quantity
CBDLS505A	3.2	1000
CBDLS510A	5.0	1000
CBDLS515A	6.4	1000
CBDLS520A	7.0	1000
CBDLS525A	8.0	1000
CBDLS530A	9.5	1000
CBDLS535A	11.2	1000
CBDLS540A	12.0	1000
CBDLS545A	15.0	1000
CBDLS550A	16.0	1000
CBDLS555A	17.0	1000
CBDLS560A	20.0	1000
CBDLS565A	22.0	1000
CBDLS570A	25.4	1000



Part Number	"A" Standoff Height (mm)	Standard Pack Quantity
CBDLS605A	3.2	2000
CBDLS610A	4.0	2000
CBDLS615A	4.8	1000
CBDLS620A	6.4	1000
CBDLS625A	7.0	1000
CBDLS630A	8.0	1000
CBDLS635A	9.6	1000
CBDLS640A	11.2	1000
CBDLS645A	12.7	1000
CBDLS650A	14.0	1000
CBDLS655A	16.0	1000
CBDLS660A	18.0	1000
CBDLS665A	19.1	1000

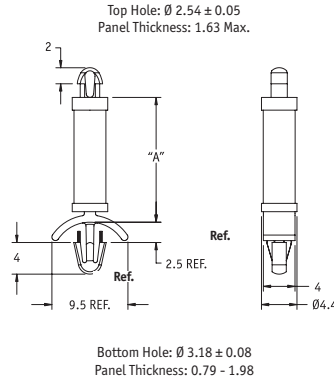
Dual Locking Circuit Board Support

SR 2709

DLCBSAT

Natural

Part Number		"A" Standoff Height	Standard Pack Quantity
UL94 V-2 Nylon 6/6, RMS-01	UL94 V-0 Nylon 6/6, RMS-19		
DLCBSAT-2-01	DLCBSAT-2-19	3.2	1000
DLCBSAT-3-01	DLCBSAT-3-19	4.8	1000
DLCBSAT-4-01	DLCBSAT-4-19	6.4	1000
DLCBSAT-5-01	-	7.9	1000
DLCBSAT-6-01	DLCBSAT-6-19	9.5	1000
DLCBSAT-7-01	DLCBSAT-7-19	11.1	1000
DLCBSAT-8-01	DLCBSAT-8-19	12.7	1000
DLCBSAT-9-01	DLCBSAT-9-19	14.3	1000
DLCBSAT-10-01	DLCBSAT-10-19	15.9	1000

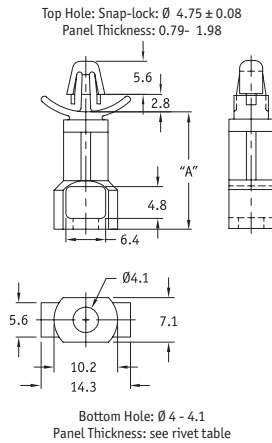


Snap Rivet Locking Circuit Board Support

SR 2710

SRLAHS

Natural



Part Number		"A" Standoff Height	Standard Pack Quantity
UL94 V-2 Nylon 6/6, RMS-01	UL94 V-0 Nylon 6/6, RMS-19		
SRLAHS-7-01	SRLAHS-7-19	11.1	1000
SRLAHS-8-01	SRLAHS-8-19	12.7	1000
-	SRLAHS-10-19	15.9	1000
-	SRLAHS-12-19	19.1	1000
SRLAHS-14-01	SRLAHS-14-19	22.2	1000
SRLAHS-16-01	-	25.4	1000

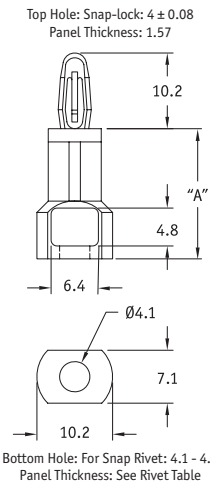
Rivet Table	
Use Rivet Number	For Panel Thickness
SR-4050B /SR-4050W	0.7-1.6
SR-4060B /SR-4060W	1.5-2.7
SR-4070B /SR-4070W	2.7-3.7
SR-4080B /SR-4080W	3.7-4.7
SR-4090B /SR-4090W	4.7-5.7
SR-4100B /SR-4100W	5.7-6.7
SR-4120B /SR-4120W	7.2-8.7

Snap Rivet Locking Circuit Board Support

SR 2711

SRLCBS

Natural Nylon 6/6, RMS-01



Part Number	"A" Standoff Height	Standard Pack Quantity
SRLCBS-6-01	9.5	1000
SRLCBS-7-01	11.1	1000
SRLCBS-8-01	12.7	1000
SRLCBS-10-01	15.9	1000
SRLCBS-12-01	19.1	1000
SRLCBS-14-01	22.2	1000
SRLCBS-16-01	25.4	1000

Rivet Table	
Use Rivets Part Number	For Panel Thickness
SR-4050B/SR-4050W	0.7-1.6
SR-4060B/SR-4060W	1.5-2.7
SR-4070B/SR-4070W	2.7-3.7
SR-4080B/SR-4080W	3.7-4.7
SR-4090B/SR-4090W	4.7-5.7
SR-4100B/SR-4100W	5.7-6.7
SR-4120B/SR-4120W	7.2-8.7

DUAL LOCKING SPACERS

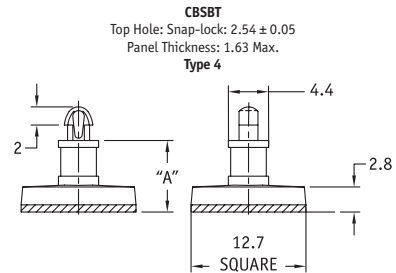
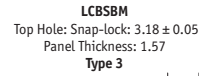
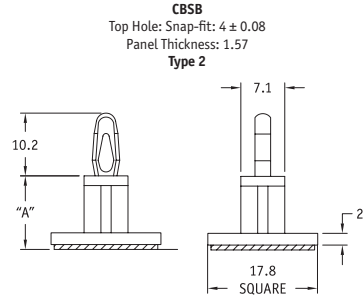
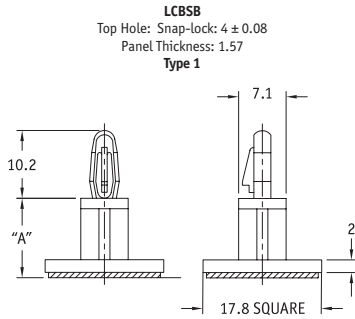
Circuit Board Support on Adhesive Base

SR 2712

CBSB/CBSBT/LCBSB/LCBSBM

Natural Nylon 6/6 RMS-01

- Adhesive Backing: RMS-24, double sided adhesive tape with release tab



Part Number				"A" Standoff Height	Standard Pack Quantity
LCBSB (Type 1)	CBSB (Type 2)	LCBSBM (Type 3)	CBSBT (Type 4)		
LCBSB-3-01A2-RT	CBSB-3-01A2-RT	LCBSBM-3-01A2	CBSBT-3-01A2-RT	4.8	1000
LCBSB-4-01A2-RT	CBSB-4-01A2-RT	LCBSBM-4-01A2	CBSBT-4-01A2-RT	6.4	1000
-	-	-	LCBSBM-5-01A2	7.9	1000
LCBSB-6-01A2-RT	CBSB-6-01A2-RT	LCBSBM-6-01A2	CBSBT-6-01A2-RT	9.5	1000
-	-	-	LCBSBM-7-01A2	11.1	1000
LCBSB-8-01A2-RT	CBSB-8-01A2-RT	LCBSBM-8-01A2	CBSBT-8-01A2-RT	12.7	1000
LCBSB-9-01A2-RT	CBSB-9-01A2-RT	LCBSBM-9-01A2	CBSBT-9-01A2-RT	14.3	1000
LCBSB-10-01A2	CBSB-10-01A2-RT	LCBSBM-10-01A2	CBSBT-10-01A2	15.9	1000
LCBSB-12-01A2	CBSB-12-01A2-RT	-	-	19.1	1000
LCBSB-14-01A2	-	-	-	22.2	1000
LCBSB-16-01A2	CBSB-16-01A2-RT	-	-	25.4	1000
LCBSB-18-01A2	-	-	-	28.6	1000
LCBSB-6M-01A2	-	-	-	6	1000
LCBSB-8M-01A2	-	-	-	8	1000
LCBSB-10M-01A2	-	-	-	10	1000
LCBSB-12M-01A2	-	-	-	12	1000
LCBSB-14M-01A2	-	-	-	14	1000
LCBSB-16M-01A2	-	-	-	16	1000

Circuit Board Support on Adhesive Base

SR 2713

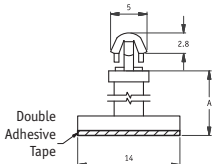
CBABS

Natural Nylon, UL94 V-2 Nylon 6/6

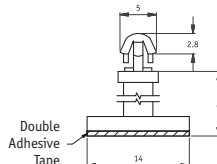
- Adhesive base eliminates the need for mounting hole on the chassis
- Adhesive tape comes with quick release tab for quick installation
- Snap-locking types aid fast installation by hand



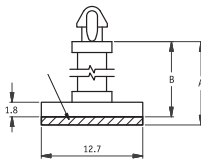
Type 2
Top Hole: Snap Lock: ϕ 3.0
Panel Thickness: 1.2-1.6



Type 1
Top Hole: Snap Lock: ϕ 3.5
Panel Thickness: 1.2-1.6



Type 3
Top Hole: Snap Lock: ϕ 2.0
Panel Thickness: 1.6



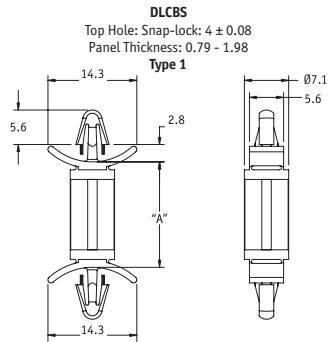
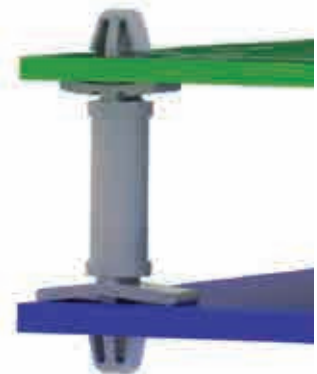
Part Number			"A" Standoff Height (mm)	"B" Base Height (mm)	Standard Pack Quantity
CBABS1 (Type 1)	CBABS2 (Type 2)	CBABS4 (Type 3)			
CBABS1	CBABS2	CBABS4	-	-	-
CBABS105A	CBABS205A	-	3.5	-	1000
CBABS110A	CBABS210A	CBABS405A	4.8	4.0	1000
CBABS115A	CBABS215A	CBABS410A	6.4	5.6	1000
CBABS120A	CBABS220A	-	8.0	-	1000
-	-	CBABS415A	9.5	8.7	1000
CBABS125A	CBABS225A	-	10.0	-	1000
-	-	CBABS420A	11.1	10.3	1000
-	-	CBABS425A	12.7	11.9	1000
-	-	CBABS430A	15.9	15.1	1000
-	-	CBABS435A	19.1	18.3	1000

Dual Locking Circuit Board Support

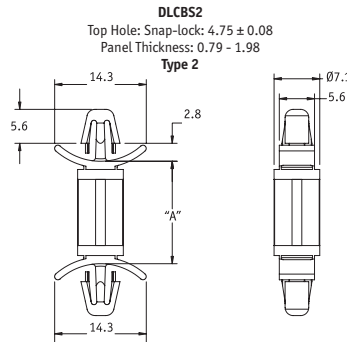
SR 2714

DLCBS

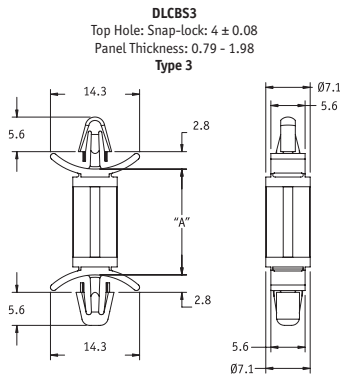
Natural



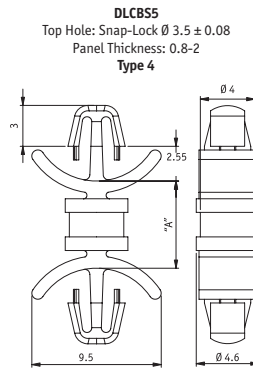
Bottom Hole: Snap-lock: 4 ± 0.08
Panel Thickness: 0.79 - 1.98



Bottom Hole: Snap-lock: 4.75 ± 0.08
Panel Thickness: 0.79 - 1.98

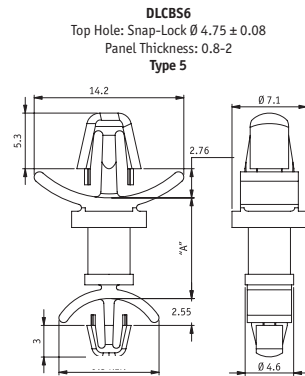


Bottom Hole: Snap-lock: 4.75 ± 0.08
Panel Thickness: 0.79 - 1.98



Bottom Hole: Snap-Lock $\emptyset 3.5 \pm 0.08$
Panel Thickness: 0.8-2

Can't find the size you are looking for? Contact us!



Bottom Hole: Snap-Lock $\emptyset 3.5 \pm 0.08$
Panel Thickness: 0.8-2

Part Number					"A" Standoff Height	Material	Standard Pack Quantity
DLCBS (Type 1)	DLCBS2 (Type 2)	DLCBS3 (Type 3)	DLCBS5 (Type 4)	DLCBS6 (Type 5)			
DLCBS-3-01	DLCBS2-3-01	DLCBS3-3-01	DLCBS5-3-01	DLCBS6-3-01	4.8	UL94 V-2 Nylon 6/6, RMS-01	1000
DLCBS-4-01	DLCBS2-4-01	DLCBS3-4-01	DLCBS5-4-01	DLCBS6-4-01	6.4	UL94 V-2 Nylon 6/6, RMS-01	1000
DLCBS-5-01	DLCBS2-5-01	DLCBS3-5-01	DLCBS5-5-01	DLCBS6-5-01	7.9	UL94 V-2 Nylon 6/6, RMS-01	1000
DLCBS-6-01	DLCBS2-6-01	DLCBS3-6-01	DLCBS5-6-01	DLCBS6-6-01	9.5	UL94 V-2 Nylon 6/6, RMS-01	1000
DLCBS-7-01	DLCBS2-7-01	-	DLCBS5-7-01	DLCBS6-7-01	11.1	UL94 V-2 Nylon 6/6, RMS-01	1000
DLCBS-8-01	DLCBS2-8-01	DLCBS3-8-01	DLCBS5-8-01	DLCBS6-8-01	12.7	UL94 V-2 Nylon 6/6, RMS-01	1000
DLCBS-9-01	-	-	DLCBS5-9-01	DLCBS6-9-01	14.3	UL94 V-2 Nylon 6/6, RMS-01	1000
DLCBS-10-01	DLCBS2-10-01	DLCBS3-10-01	DLCBS5-10-01	DLCBS6-10-01	15.9	UL94 V-2 Nylon 6/6, RMS-01	1000
DLCBS-12-01	DLCBS2-12-01	DLCBS3-12-01	-	-	19.1	UL94 V-2 Nylon 6/6, RMS-01	1000
DLCBS-14-01	-	DLCBS3-14-01	-	-	22.2	UL94 V-2 Nylon 6/6, RMS-01	1000
DLCBS-3-19	DLCBS2-3-19	DLCBS3-3-19	DLCBS5-3-19	DLCBS6-3-19	4.8	UL94 V-0 Nylon 6/6, RMS-19	1000
DLCBS-4-19	DLCBS2-4-19	-	DLCBS5-4-19	DLCBS6-4-19	6.4	UL94 V-0 Nylon 6/6, RMS-19	1000
DLCBS-5-19	-	-	DLCBS5-5-19	DLCBS6-5-19	7.9	UL94 V-0 Nylon 6/6, RMS-19	1000
DLCBS-6-19	-	DLCBS3-6-19	DLCBS5-6-19	DLCBS6-6-19	9.5	UL94 V-0 Nylon 6/6, RMS-19	1000
-	DLCBS2-7-19	-	DLCBS5-7-19	DLCBS6-7-19	11.1	UL94 V-0 Nylon 6/6, RMS-19	1000
DLCBS-8-19	DLCBS2-8-19	DLCBS3-8-19	DLCBS5-8-19	DLCBS6-8-19	12.7	UL94 V-0 Nylon 6/6, RMS-19	1000
DLCBS-9-19	DLCBS2-9-19	-	DLCBS5-9-19	DLCBS6-9-19	14.3	UL94 V-0 Nylon 6/6, RMS-19	1000
DLCBS-10-19	DLCBS2-10-19	DLCBS3-10-19	DLCBS5-10-19	DLCBS6-10-19	15.9	UL94 V-0 Nylon 6/6, RMS-19	1000
DLCBS-12-19	-	DLCBS3-12-19	-	-	19.1	UL94 V-0 Nylon 6/6, RMS-19	1000
-	DLCBS2-14-19	DLCBS3-14-19	-	-	22.2	UL94 V-0 Nylon 6/6, RMS-19	1000

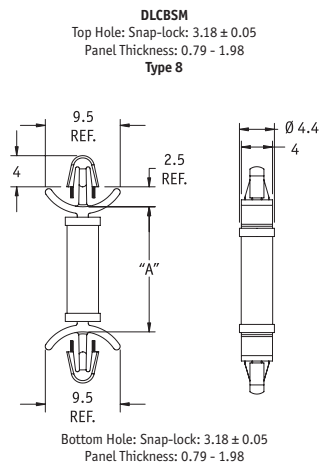
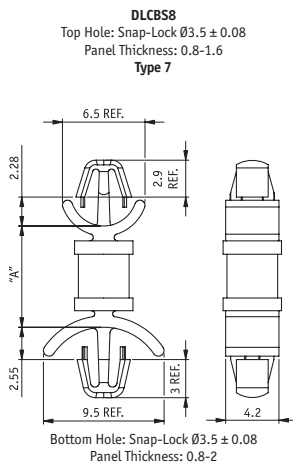
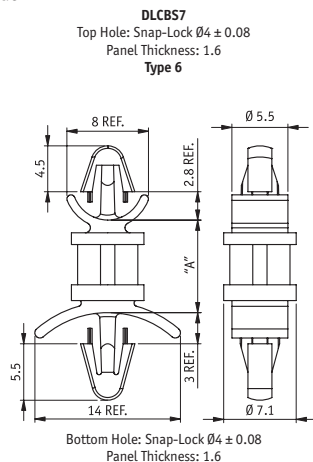
DUAL LOCKING SPACERS

Dual Locking Circuit Board Support CONTINUED

SR 2714

DLCBS

Natural



Part Number			"A" Standoff Height	Material	Standard Pack Quantity
DLCBS7 (Type 6)	DLCBS8 (Type 7)	DLCBSM (Type 8)			
DLCBS7-3-01	DLCBS8-3-01	DLCBSM-3-01	4.8	UL94 V-2 Nylon 6/6, RMS-01	1000
DLCBS7-4-01	DLCBS8-4-01	DLCBSM-4-01	6.4	UL94 V-2 Nylon 6/6, RMS-01	1000
DLCBS7-5-01	DLCBS8-5-01	DLCBSM-5-01	7.9	UL94 V-2 Nylon 6/6, RMS-01	1000
DLCBS7-6-01	DLCBS8-6-01	DLCBSM-6-01	9.5	UL94 V-2 Nylon 6/6, RMS-01	1000
DLCBS7-7-01	-	DLCBSM-7-01	11.1	UL94 V-2 Nylon 6/6, RMS-01	1000
DLCBS7-8-01	DLCBS8-8-01	DLCBSM-8-01	12.7	UL94 V-2 Nylon 6/6, RMS-01	1000
DLCBS7-9-01	-	DLCBSM-9-01	14.3	UL94 V-2 Nylon 6/6, RMS-01	1000
DLCBS7-10-01	DLCBS8-10-01	DLCBSM-10-01	15.9	UL94 V-2 Nylon 6/6, RMS-01	1000
DLCBS7-12-01	-	-	19.1	UL94 V-2 Nylon 6/6, RMS-01	1000
DLCBS7-3-19	-	DLCBSM-3-19	4.8	UL94 V-0 Nylon 6/6, RMS-19	1000
DLCBS7-4-19	-	DLCBSM-4-19	6.4	UL94 V-0 Nylon 6/6, RMS-19	1000
DLCBS7-5-19	DLCBS8-5-19	DLCBSM-5-19	7.9	UL94 V-0 Nylon 6/6, RMS-19	1000
DLCBS7-6-19	DLCBS8-6-19	DLCBSM-6-19	9.5	UL94 V-0 Nylon 6/6, RMS-19	1000
-	DLCBS8-7-19	DLCBSM-7-19	11.1	UL94 V-0 Nylon 6/6, RMS-19	1000
DLCBS7-8-19	DLCBS8-8-19	DLCBSM-8-19	12.7	UL94 V-0 Nylon 6/6, RMS-19	1000
DLCBS7-9-19	DLCBS8-9-19	DLCBSM-9-19	14.3	UL94 V-0 Nylon 6/6, RMS-19	1000
DLCBS7-10-19	DLCBS8-10-19	-	15.9	UL94 V-0 Nylon 6/6, RMS-19	1000
DLCBS7-12-19	-	-	19.1	UL94 V-0 Nylon 6/6, RMS-19	1000

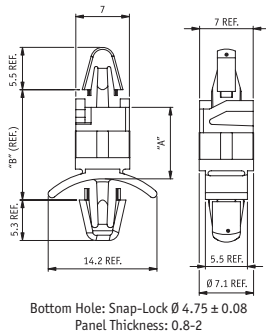
Dual Locking Circuit Board Support

SR 2715

DLCBS4

Natural

Top Hole: Snap-Lock $\varnothing 4.0 \pm 0.08$
Panel Thickness: 1.3-2



Part Number		"A" Standoff Height	"B"	Standard Pack Quantity
UL94 V-2 Nylon 6/6, RMS-01	UL94 V-0 Nylon 6/6, RMS-19			
DLCBS4-3.5-01	-	5.5	10.8	1000
DLCBS4-4-01	DLCBS4-4-19	6.1	11.4	1000
DLCBS4-5-01	DLCBS4-5-19	9.1	14.4	1000
DLCBS4-6-01	DLCBS4-6-19	12.4	17.7	1000
DLCBS4-8-01	-	18.8	24.1	1000
DLCBS4-10-01	DLCBS4-10-19	21.9	27.2	1000

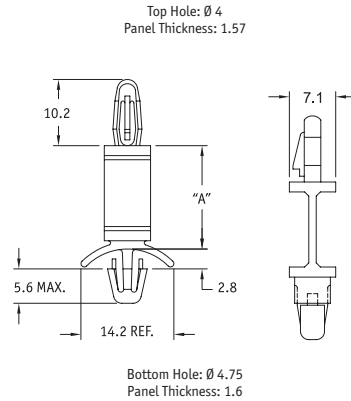
Flexible Locking Circuit Board Support

SR 2716

FLCBS

UL94 V2 Nylon 6/6, RMS-01 Natural

Part Number	"A" (mm)	Standard Pack Quantity
FLCBS-6-01	9.5	1000
FLCBS-8-01	12.7	1000
FLCBS-10-01	15.9	1000
FLCBS-12-01	19.1	1000
FLCBS-14-01	22.2	1000
FLCBS-16-01	25.4	1000
FLCBS-18-01	28.6	1000
FLCBS-20-01	31.8	1000
FLCBS-22-01	34.9	1000



Shock Dampening Spacers

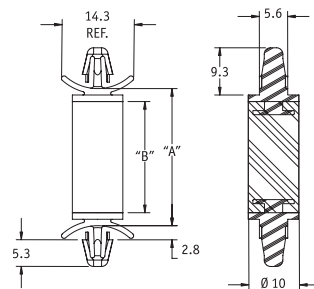
SR 2717

HSCBS

Fix Material: Natural UL94 VO Nylon 6/6, RMS-169

Spacer Material: Black UL94 HB TPE 45 Shore A RMS-168

Part Number	"A" Uncompressed	"B" Ref.	Hole Ø	Panel Thickness	Target Load	Standard Pack Quantity
HSCBS-1	14.9	9.7	4.75	0.79 - 1.98	9.8N	1000
HSCBS-2	21	16.3	4.75	0.79 - 1.98	9.8N	1000
HSCBS-3	27.1	22	4.75	0.79 - 1.98	9.8N	1000



Patented

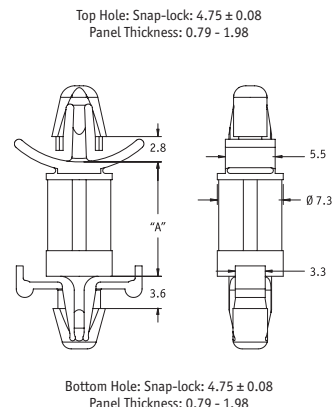
Dual Locking Circuit Board Support

SR 2718

DLCBSRA

Natural UL94 V-2 Nylon 6/6, RMS-01

Part Number	"A" Standoff Height	Standard Pack Quantity
DLCBSRA3-6-01	4.8	1000
DLCBSRA3-8-01	12.7	1000
DLCBSRA3-10-01	15.9	1000
DLCBSRA3-12-01	19.1	1000
DLCBSRA3-14-01	22.2	1000



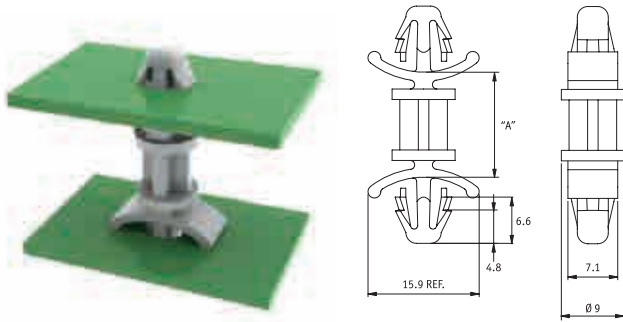
DUAL LOCKING SPACERS

Heavy Duty Circuit Board Support

SR 2719

DLCBSHD

Natural



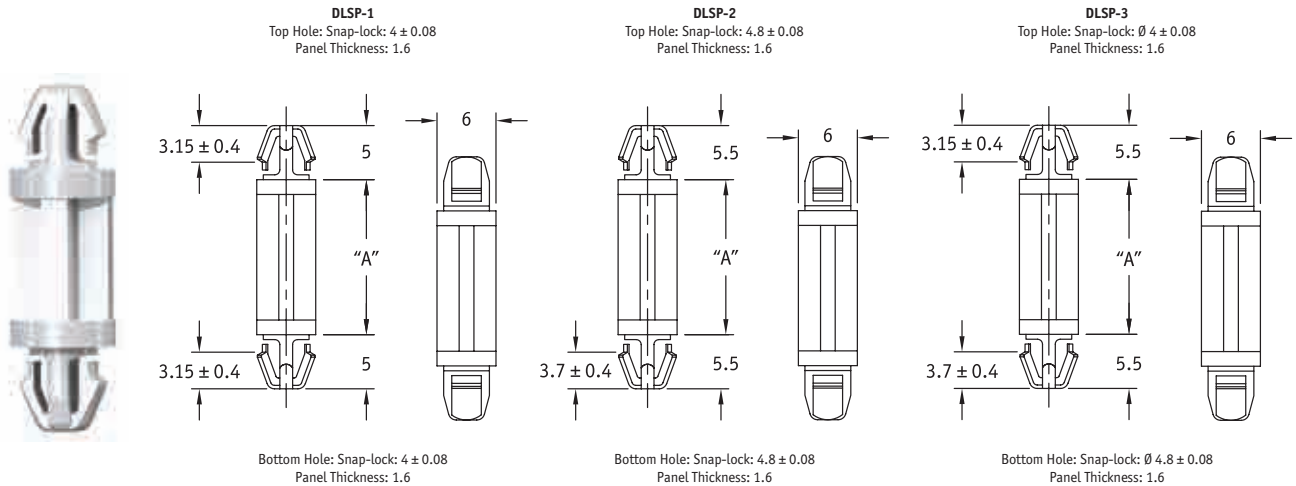
Part Number		"A"	Ø Hole	Panel Thickness	Standard Pack Quantity
UL94 V-2 Nylon 6/6, RMS-01	UL94 V-0 Nylon 6/6, RMS-19				
DLCBSHD-10M-01	DLCBSHD-10M-19	10	6.3	0.8 - 2.2	1000
DLCBSHD-20M-01	DLCBSHD-20M-19	20	6.3	0.8 - 2.2	1000
DLCBSHD-25M-01	-	25	6.3	0.8 - 2.2	1000
DLCBSHD-35M-01	DLCBSHD-35M-19	35	6.3	0.8 - 2.2	1000

Dual Locking Support Post

SR 2720

DLSP

Natural



Part Number				"A" Standoff Height	Standard Pack Quantity
DLSP-1		DLSP-2	DLSP-3		
Nylon 6/6, RMS-01	UL94 V0 Nylon 6/6, RMS-19	Nylon 6/6, RMS-01	Nylon 6/6, RMS-01		
DLSP-1-3M-01	DLSP-1-3M-19	DLSP-2-3M-01	DLSP-3-3M-01	3	1000
DLSP-1-4M-01	DLSP-1-4M-19	DLSP-2-4M-01	DLSP-3-4M-01	4	1000
DLSP-1-6M-01	DLSP-1-6M-19	DLSP-2-6M-01	DLSP-3-6M-01	6	1000
DLSP-1-8M-01	DLSP-1-8M-19	DLSP-2-8M-01	DLSP-3-8M-01	8	1000
DLSP-1-10M-01	DLSP-1-10M-19	DLSP-2-10M-01	DLSP-3-10M-01	10	1000
DLSP-1-12M-01	DLSP-1-12M-19	DLSP-2-12M-01	-	12	1000
DLSP-1-14M-01	DLSP-1-14M-19	-	DLSP-3-14M-01	14	1000
DLSP-1-16M-01	DLSP-1-16M-19	DLSP-2-16M-01	-	16	1000
DLSP-1-18M-01	-	-	-	18	1000
DLSP-1-25M-01	DLSP-1-25M-19	DLSP-2-25M-01	DLSP-3-25M-01	25	1000
DLSP-1-30M-01	DLSP-1-30M-19	-	-	30	1000

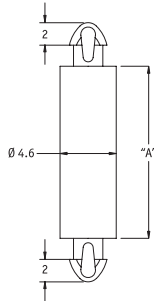
Metric Mini Dual Locking Support Post

SR 2721

MDLSP1/MDLSP2

Top Hole: Snap-lock: 2.5 ± 0.05
Panel Thickness: 1.65 Max.

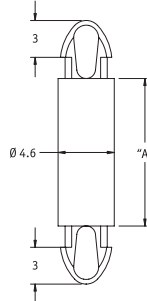
Type 1



Bottom Hole: Snap-lock: 2.5 ± 0.05
Panel Thickness: 1.65 Max.

Top Hole: Snap-lock: 3.5 ± 0.05
Panel Thickness: 1.65 Max.

Type 2



Bottom Hole: Snap-lock: 3.5 ± 0.05
Panel Thickness: 1.65 Max.



Part Number					"A" Standoff Height	Standard Pack Quantity
MDLSP1 (Type 1)		MDLSP2 (Type 2)				
Natural Nylon 6/6, RMS-01	Natural UL94 V0 Nylon 6/6, RMS-19	Natural Nylon 6/6, RMS-01	Black Nylon 6/6, RMS-01	Natural UL94 V0 Nylon 6/6, RMS-19		
MDLSP1-02M-01	MDLSP1-02M-19	MDLSP2-02M-01	-	MDLSP2-02M-19	2	1000
MDLSP1-03M-01	MDLSP1-03M-19	MDLSP2-03M-01	MDLSP2-03M-01BK	MDLSP2-03M-19	3	1000
MDLSP1-04M-01	MDLSP1-04M-19	MDLSP2-04M-01	MDLSP2-04M-01BK	MDLSP2-04M-19	4	1000
MDLSP1-05M-01	MDLSP1-05M-19	MDLSP2-05M-01	MDLSP2-05M-01BK	MDLSP2-05M-19	5	1000
MDLSP1-06M-01	MDLSP1-06M-19	MDLSP2-06M-01	MDLSP2-06M-01BK	MDLSP2-06M-19	6	1000
MDLSP1-07M-01	MDLSP1-07M-19	MDLSP2-07M-01	-	MDLSP2-07M-19	7	1000
MDLSP1-08M-01	MDLSP1-08M-19	MDLSP2-08M-01	MDLSP2-08M-01BK	MDLSP2-08M-19	8	1000
MDLSP1-09M-01	-	MDLSP2-09M-01	-	MDLSP2-09M-19	9	1000
MDLSP1-10M-01	MDLSP1-10M-19	MDLSP2-10M-01	MDLSP2-10M-01BK	MDLSP2-10M-19	10	1000
MDLSP1-12M-01	MDLSP1-12M-19	MDLSP2-12M-01	-	MDLSP2-12M-19	12	1000
MDLSP1-14M-01	MDLSP1-14M-19	MDLSP2-14M-01	-	MDLSP2-14M-19	14	1000
MDLSP1-16M-01	MDLSP1-16M-19	MDLSP2-16M-01	-	MDLSP2-16M-19	16	1000
MDLSP1-18M-01	MDLSP1-18M-19	MDLSP2-18M-01	-	MDLSP2-18M-19	18	1000
MDLSP1-20M-01	MDLSP1-20M-19	MDLSP2-20M-01	MDLSP2-20M-01BK	MDLSP2-20M-19	20	1000
MDLSP1-22M-01	MDLSP1-22M-19	MDLSP2-22M-01	-	MDLSP2-22M-19	22	1000

Metric Mini Dual Locking Support Post

SR 2722

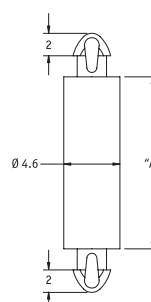
MDLSPK

Natural



Top Hole: Snap-lock: 2.5 ± 0.05
Panel Thickness: 3.6 Max.

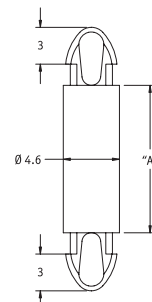
Type 1



Bottom Hole: Snap-Lock: 2.5 ± 0.05
Panel Thickness: 1.6 Max.

Top Hole: Snap-lock: 3.5 ± 0.05
Panel Thickness: 3.6 Max.

Type 2



Bottom Hole: Snap-Lock: 3.5 ± 0.05
Panel Thickness: 1.6 Max.

Part Number				"A" Standoff Height	Standard Pack Quantity
MDLSPK1 (Type 1)		MDLSPK2 (Type 2)			
Nylon 6/6, RMS-01	UL94 V0 Nylon 6/6, RMS-19	Nylon 6/6, RMS-01	UL94 V0 Nylon 6/6, RMS-19		
MDLSPK1-02M-01	MDLSPK1-02M-19	MDLSPK2-02M-01	MDLSPK2-02M-19	2	1000
MDLSPK1-03M-01	-	-	-	3	1000
MDLSPK1-04M-01	MDLSPK1-04M-19	MDLSPK2-04M-01	-	4	1000
MDLSPK1-06M-01	-	MDLSPK2-06M-01	MDLSPK2-06M-19	6	1000
MDLSPK1-08M-01	MDLSPK1-08M-19	MDLSPK2-08M-01	MDLSPK2-08M-19	8	1000
MDLSPK1-10M-01	MDLSPK1-10M-19	MDLSPK2-10M-01	-	10	1000
MDLSPK1-12M-01	MDLSPK1-12M-19	MDLSPK2-12M-01	MDLSPK2-12M-19	12	1000
MDLSPK1-14M-01	-	MDLSPK2-14M-01	MDLSPK2-14M-19	14	1000
MDLSPK1-16M-01	MDLSPK1-16M-19	MDLSPK2-16M-01	MDLSPK2-16M-19	16	1000
MDLSPK1-18M-01	MDLSPK1-18M-19	MDLSPK2-18M-01	MDLSPK2-18M-19	18	1000
-	MDLSPK1-20M-19	MDLSPK2-20M-01	-	20	1000
MDLSPK1-22M-01	-	MDLSPK2-22M-01	MDLSPK2-22M-19	22	1000

DUAL LOCKING SPACERS

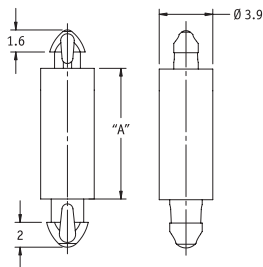
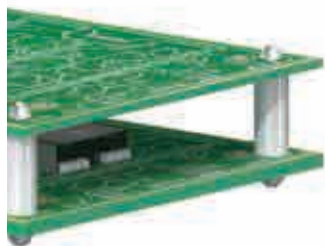
Mini Dual Locking Support Post

SR 2723

MDLSP3

Natural Nylon 6/6, RMS-01

Top Hole: Snap-lock: 2 ± 0.05
Panel Thickness: 1.07 Max.



Bottom Hole: Snap-lock: 2.5 ± 0.05
Panel Thickness: 1.65 Max.

Can't find the size you are looking for? Contact us!

Part Number	"A" Standoff Height	Standard Pack Quantity
MDLSP3-1-01	1.6	1000
MDLSP3-2-01	3.2	1000
MDLSP3-3-01	4.8	1000
MDLSP3-4-01	6.4	1000
MDLSP3-5-01	7.9	1000
MDLSP3-6-01	9.5	1000

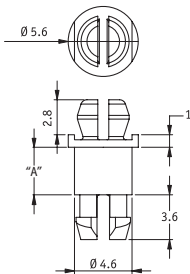
Miniature Support Post

SR 2724

MSPT

Natural

Top Hole: Snap-fit: $\varnothing 3.9 \pm 0.05$
Panel Thickness: 1.2



Bottom Hole: Snap-lock: $\varnothing 3.9 \pm 0.05$
Panel Thickness: 1.62

Part Number		"A" (mm)	Standard Pack Quantity
UL94 V-2 Nylon 6/6, RMS-01	UL94 V-0 Nylon 6/6, RMS-19		
-	MSPT-3-19	4.8	1000
-	MSPT-5-19	7.9	1000
MSPT-6-01	MSPT-6-19	9.5	1000
MSPT-7-01	-	11.1	1000
MSPT-8-01	MSPT-8-19	12.7	1000
MSPT-10-01	MSPT-10-19	15.9	1000
-	MSPT-11-19	17.5	1000
MSPT-12-01	MSPT-12-19	19.1	1000
MSPT-14-01	MSPT-14-19	22.2	1000

Miniature Support Post

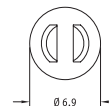
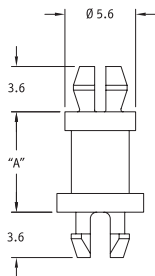
SR 2725

MSPS

Natural

Bottom Hole Snap-lock: $\varnothing 4 \pm 0.05$
Panel Thickness: 1.57

Top Hole: Snap-fit: $\varnothing 4 \pm 0.05$
Panel Thickness: 1.57



Part Number		"A" (mm)	Standard Pack Quantity
UL94 V-2 Nylon 6/6, RMS-01	UL94 V-0 Nylon 6/6, RMS-19		
MSPS-3-01	MSPS-3-19	4.8	1000
MSPS-4-01	MSPS-4-19	6.4	1000
MSPS-5-01	MSPS-5-19	7.9	1000
MSPS-6-01	MSPS-6-19	9.5	1000
MSPS-7-01	-	11.1	1000
MSPS-8-01	MSPS-8-19	12.7	1000
MSPS-10-01	MSPS-10-19	15.9	1000
MSPS-11-01	MSPS-11-19	17.5	1000
MSPS-12-01	MSPS-12-19	19.1	1000
MSPS-14-01	MSPS-14-19	22.2	1000

Mini Support Post

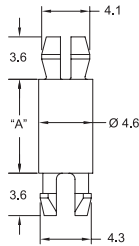
SR 2726

MSP/MSPM/DLMSP/DLMSPM/DLCBST

Natural

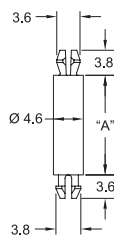


MSP
Top Hole: Snap-fit: 3.9 ± 0.05
Panel Thickness: 1.57
Type 1



Bottom Hole: Snap-Lock: 3.9 ± 0.05
Panel Thickness: 1.57

MSPM
Top Hole: Snap-fit: 3.18 ± 0.05
Panel Thickness: 1.57
Type 2



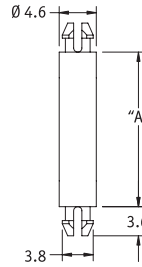
Bottom Hole: Snap-lock: 3.18 ± 0.05
Panel Thickness: 1.57

DLMSM
Top Hole: Snap-lock: 3.86 ± 0.05
Panel Thickness: 1.57
Type 3



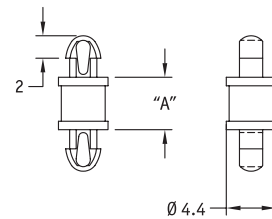
Bottom Hole: Snap-lock: 3.86 ± 0.05
Panel Thickness: 1.57

DLMSPM
Top Hole: Snap-lock: 3.18 ± 0.05
Panel Thickness: 1.57
Type 4



Bottom Hole: Snap-lock: 3.18 ± 0.05
Panel Thickness: 1.57

DLCBST
Top Hole: Snap-Lock: 2.54 ± 0.05
Panel Thickness: 1.63 Max.
Type 5



Bottom Hole: Snap-lock: 2.54 ± 0.05
Panel Thickness: 1.63 Max.

Part Number										"A" Standoff Height	Standard Pack Quantity
MSP (Type 1)		MSPM (Type 2)		DLMSM (Type 3)		DLMSPM (Type 4)		DLCBST (Type 5)			
Nylon 6/6, RMS-01	UL94 V0 Nylon 6/6, RMS-19	Nylon 6/6, RMS-01	UL94 V0 Nylon 6/6, RMS-19	Nylon 6/6, RMS-01	UL94 V0 Nylon 6/6, RMS-19	Nylon 6/6, RMS-01	UL94 V0 Nylon 6/6, RMS-19	Nylon 6/6, RMS-01	UL94 V0 Nylon 6/6, RMS-19		
-	-	-	-	-	-	-	-	DLCBST-1-01	DLCBST-1-19	1.6	1000
MSP-2-01	MSP-2-19	MSPM-2-01	-	DLMSM-2-01	DLMSM-2-19	DLMSPM-2-01	-	DLCBST-2-01	DLCBST-2-19	3.2	1000
MSP-3-01	MSP-3-19	MSPM-3-01	MSPM-3-19	DLMSM-3-01	DLMSM-3-19	DLMSPM-3-01	DLMSPM-3-19	DLCBST-3-01	DLCBST-3-19	4.8	1000
MSP-4-01	MSP-4-19	MSPM-4-01	MSPM-4-19	DLMSM-4-01	-	DLMSPM-4-01	DLMSPM-4-19	DLCBST-4-01	DLCBST-4-19	6.4	1000
MSP-5-01	MSP-5-19	MSPM-5-01	MSPM-5-19	DLMSM-5-01	DLMSM-5-19	DLMSPM-5-01	DLMSPM-5-19	DLCBST-5-01	DLCBST-5-19	7.9	1000
MSP-6-01	MSP-6-19	MSPM-6-01	-	DLMSM-6-01	DLMSM-6-19	DLMSPM-6-01	-	DLCBST-6-01	DLCBST-6-19	9.5	1000
MSP-7-01	MSP-7-19	MSPM-7-01	MSPM-7-19	DLMSM-7-01	-	DLMSPM-7-01	DLMSPM-7-19	DLCBST-7-01	DLCBST-7-19	11.1	1000
MSP-8-01	MSP-8-19	MSPM-8-01	MSPM-8-19	DLMSM-8-01	DLMSM-8-19	DLMSPM-8-01	DLMSPM-8-19	DLCBST-8-01	DLCBST-8-19	12.7	1000
MSP-9-01	-	MSPM-9-01	MSPM-9-19	DLMSM-9-01	-	DLMSPM-9-01	DLMSPM-9-19	DLCBST-9-01	DLCBST-9-19	14.3	1000
MSP-10-01	MSP-10-19	MSPM-10-01	MSPM-10-19	DLMSM-10-01	DLMSM-10-19	DLMSPM-10-01	DLMSPM-10-19	DLCBST-10-01	DLCBST-10-19	15.9	1000
MSP-11-01	MSP-11-19	-	-	-	-	-	-	-	-	17.5	1000
MSP-12-01	-	MSPM-12-01	-	DLMSM-12-01	-	DLMSPM-12-01	-	-	-	19.1	1000
MSP-13-01	MSP-13-19	MSPM-13-01	MSPM-13-19	-	-	DLMSPM-13-01	DLMSPM-13-19	-	-	20.6	1000
MSP-14-01	MSP-14-19	MSPM-14-01	MSPM-14-19	DLMSM-14-01	DLMSM-14-19	DLMSPM-14-01	DLMSPM-14-19	-	-	22.2	1000
MSP-16-01	-	MSPM-16-01	MSPM-16-19	DLMSM-16-01	-	DLMSPM-16-01	DLMSPM-16-19	-	-	25.4	1000
MSP-18-01	MSP-18-19	MSPM-18-01	-	DLMSM-18-01	DLMSM-18-19	DLMSPM-18-01	-	-	-	28.6	1000
MSP-20-01	MSP-20-19	MSPM-20-01	MSPM-20-19	DLMSM-20-01	-	DLMSPM-20-01	DLMSPM-20-19	-	-	31.8	1000
MSP-22-01	MSP-22-19	MSPM-22-01	MSPM-22-19	DLMSM-22-01	DLMSM-22-19	DLMSPM-22-01	-	-	-	34.9	1000
MSP-24-01	MSP-24-19	MSPM-24-01	MSPM-24-19	DLMSM-24-01	DLMSM-24-19	DLMSPM-24-01	DLMSPM-24-19	-	-	38.1	1000

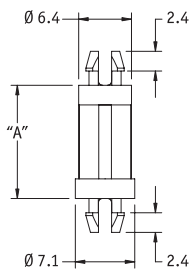
DUAL LOCKING SPACERS

Support Post

SR 2727
SP/MSPE
Natural

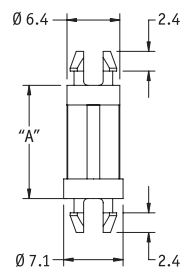


SP1
Top Hole: Snap-lock: 4 ± 0.08
Panel Thickness: 1.57
Type 1



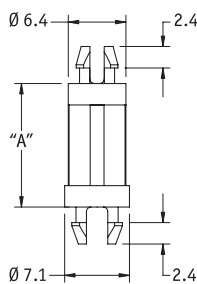
Bottom Hole: Snap-lock: 4 ± 0.08
Panel Thickness: 1.57

SP2
Top Hole: Snap-lock: 4.75 ± 0.08
Panel Thickness: 1.57
Type 2



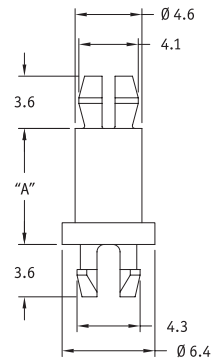
Bottom Hole: Snap-lock: 4.75 ± 0.08
Panel Thickness: 1.57

SP3
Top Hole: Snap-lock: 4 ± 0.08
Panel Thickness: 1.57
Type 3



Bottom Hole: Snap-lock: 4.75 ± 0.08
Panel Thickness: 1.57

MSPE
Top Hole: Snap-fit: 3.9 ± 0.05
Panel Thickness: 1.57
Type 4



Bottom Hole: Snap-lock: 3.9 ± 0.05
Panel Thickness: 1.57

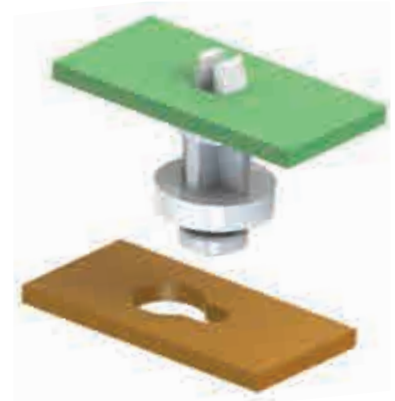
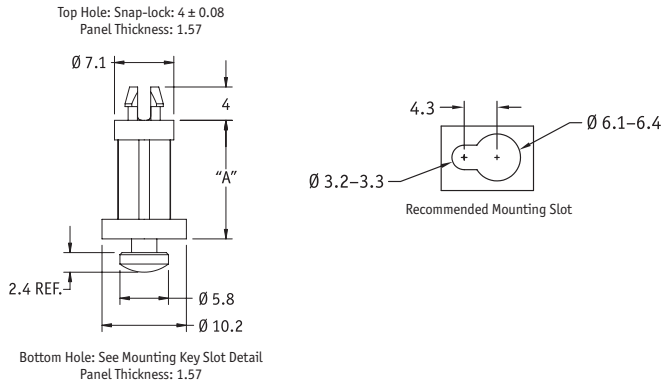
Part Number								"A" Standoff Height	Standard Pack Quantity
SP1 (Type 1)		SP2 (Type 2)		SP3 (Type 3)		MSPE (Type 4)			
Nylon 6/6, RMS-01	UL94 V0 Nylon 6/6, RMS-19	Nylon 6/6, RMS-01	UL94 V0 Nylon 6/6, RMS-19	Nylon 6/6, RMS-01	UL94 V0 Nylon 6/6, RMS-19	Nylon 6/6, RMS-01	UL94 V0 Nylon 6/6, RMS-19		
-	-	-	-	-	-	MSPE-2-01	MSPE-2-19	3.2	1000
SP1-3-01	SP1-3-19	SP2-3-01	SP2-3-19	SP3-3-01	SP3-3-19	MSPE-3-01	MSPE-3-19	4.8	1000
SP1-4-01	-	SP2-4-01	SP2-4-19	SP3-4-01	SP3-4-19	MSPE-4-01	-	6.4	1000
-	-	-	-	-	-	MSPE-5-01	-	7.9	1000
SP1-6-01	SP1-6-19	SP2-6-01	SP2-6-19	SP3-6-01	-	MSPE-6-01	MSPE-6-19	9.5	1000
-	-	-	-	-	-	MSPE-7-01	-	11.1	1000
SP1-8-01	SP1-8-19	-	SP2-8-19	SP3-8-01	SP3-8-19	MSPE-8-01	MSPE-8-19	12.7	1000
SP1-10-01	SP1-10-19	SP2-10-01	SP2-10-19	SP3-10-01	-	MSPE-10-01	MSPE-10-19	15.9	1000
-	-	-	-	-	-	MSPE-11-01	MSPE-11-19	17.5	1000
SP1-12-01	SP1-12-19	SP2-12-01	SP2-12-19	SP3-12-01	SP3-12-19	MSPE-12-01	MSPE-12-19	19.1	1000
SP1-14-01	-	SP2-14-01	SP2-14-19	SP3-14-01	SP3-14-19	MSPE-14-01	MSPE-14-19	22.2	1000
SP1-16-01	SP1-16-19	-	-	-	-	MSPE-16-01	MSPE-16-19	25.4	1000
-	-	-	-	-	-	MSPE-20-01	MSPE-20-19	31.8	1000
-	-	-	-	-	-	MSPE-22-01	MSPE-22-19	34.9	1000

Key Slot Locking Support Post

SR 2728

KSLSP

Natural, Nylon 6/6, RMS-01



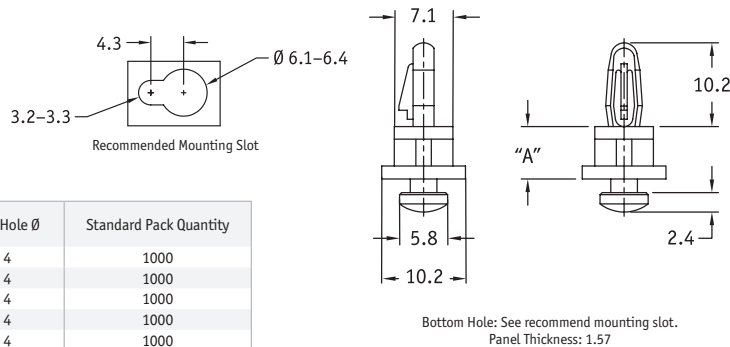
Part Number	"A" Standoff Height	Standard Pack Quantity
KSLSP1-3-01	4.8	1000
KSLSP1-4-01	6.4	1000
KSLSP1-6-01	9.5	1000
KSLSP1-8-01	12.7	1000

Key Slot with Locking Bayonet Nose

SR 2729

KSLBN

Natural UL94 V2 Nylon 6/6, RMS-01



Part Number	"A" Standoff Height	Top Panel Thickness	Top Hole Ø	Standard Pack Quantity
KSLBN-2-01	3.2	1.57	4	1000
KSLBN-4-01	6.4	1.57	4	1000
KSLBN-6-01	9.5	1.57	4	1000
KSLBN-8-01	12.7	1.57	4	1000
KSLBN-2-2-01	3.2	2.4	4	1000
KSLBN-2-6-01	9.5	2.4	4	1000

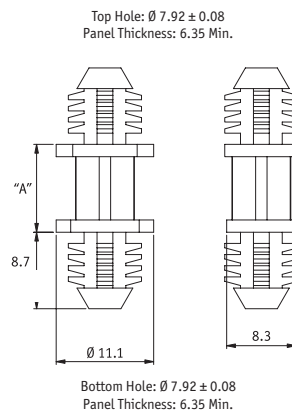
Blind Hole Circuit Board Support

SR 2730

BHDF

Natural

Part Number		"A" Standoff Height	Standard Pack Quantity
UL94 V-2 Nylon 6/6, RMS-19	UL94 V-0 Nylon 6/6, RMS-19		
BHDF-3M-01	-	3	1000
BHDF-4M-01	BHDF-4M-19	4	1000
BHDF-6M-01	BHDF-6M-19	6	1000
BHDF-8M-01	BHDF-8M-19	8	1000
BHDF-12M-01	BHDF-12M-19	12	1000
BHDF-14M-01	BHDF-14M-19	14	1000
BHDF-16M-01	BHDF-16M-19	16	1000
BHDF-18M-01	BHDF-18M-19	18	1000
BHDF-20M-01	BHDF-20M-19	20	1000



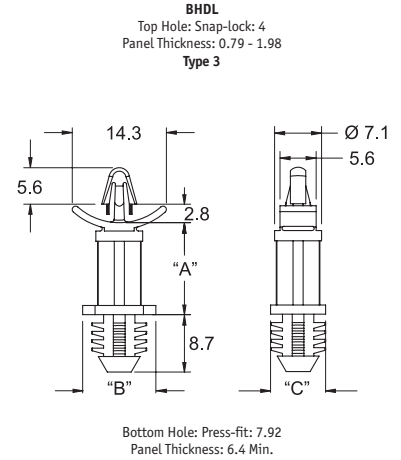
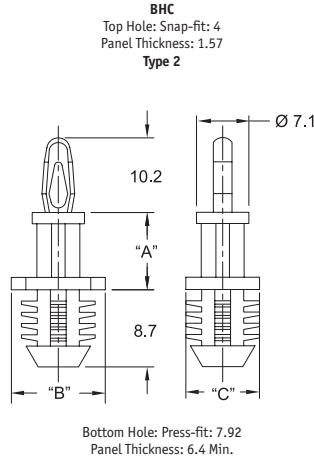
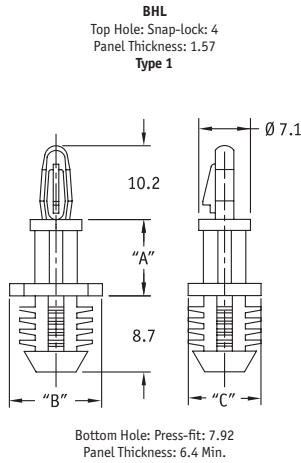
DUAL LOCKING SPACERS

Blind Hole Mount Circuit Board Supports

SR 2731

BHL/BHC/BHDL

Natural UL94 V2 Nylon 6/6, RMS-01



Part Number			"A" Standoff Height	"B"	"C"	Standard Pack Quantity
BHL (Type 1)	BHC (Type 2)	BHDL (Type 3)				
BHL-3-01	BHC-3-01	-	4.8	11.1	7.9	1000
BHL-4-01	BHC-4-01	BHDL-4-01	6.4	11.1	7.9	1000
BHL-6-01	BHC-6-01	BHDL-6-01	9.5	11.1	7.9	1000
BHL-7-01	-	-	11.1	11.1	7.9	1000
BHL-8-01	BHC-8-01	BHDL-8-01	12.7	11.1	7.9	1000
BHL-10-01	-	BHDL-10-01	15.9	11.1	7.9	1000
BHL-12-01	BHC-12-01	-	19.1	11.1	7.9	1000
BHL-14-01	BHC-14-01	-	22.2	11.1	7.9	1000

Touch Control Spacer

SR 2733

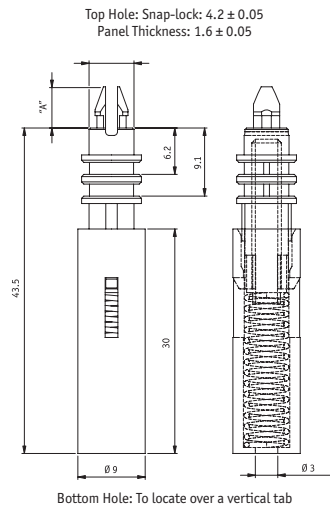
TCS

Natural

- Spring provides constant contact force between PCB mounted infrared sensors and touch panel cover
- Maximum travel: 3mm



Patented



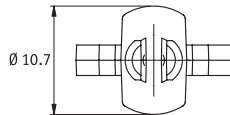
Part Number	"A" (mm)	Spacer Material	Spring Material	Standard Pack Quantity
TCS-1	5.4	Nylon 6/6, RMS-01	Stainless Steel, RMS-230	500
TCS-3	4.2	Nylon 6/6, RMS-01	Stainless Steel, RMS-230	500
TCS-4	4.2	Nylon 6/6, RMS-19	Stainless Steel, RMS-230	500

Sprung Spacer

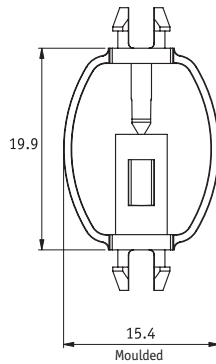
SR 2734

CBSP

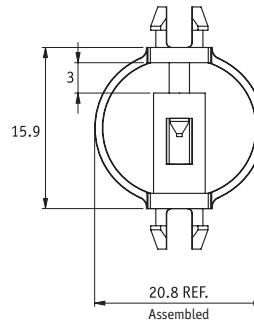
Natural Acetal, RMS-61



Top Hole: Snap-lock: $\varnothing 4.8 \pm 0.08$
Panel Thickness: 1.6



Bottom Hole: Snap-lock: $\varnothing 4.8$
Panel Thickness: 1.6



Part Number CBSP-1	Standard Pack Quantity 1000
-----------------------	--------------------------------

Push Spacer on Adhesive Base

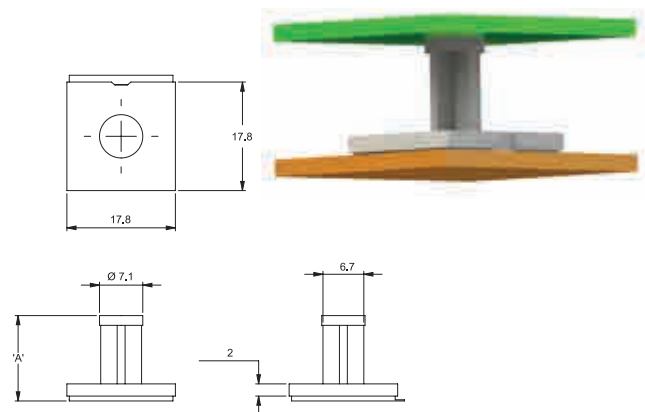
SR 2735

PSB

Natural UL94 V2 Nylon 6/6, RMS-01

Adhesive: 0.8 thick double-sided adhesive tape, RMS-24

Part Number	"A" (mm)	Standard Pack Quantity
PSB-6M-01A2-RT	6	1000
PSB-8M-01A2-RT	8	1000
PSB-10M-01A2-RT	10	1000
PSB-12M-01A2-RT	12	1000
PSB-14M-01A2-RT	14	1000
PSB-16M-01A2-RT	16	1000



Miniature Push Spacer

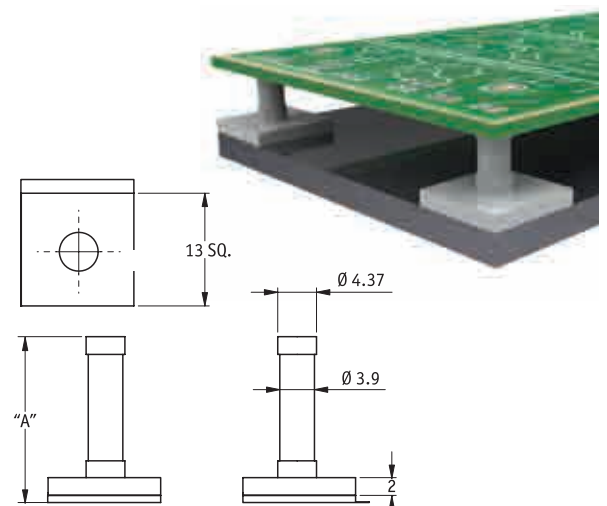
SR 2736

PSBM

Natural UL94 V-2 Nylon 6/6, RMS-01

Adhesive: 0.8 thick double-sided adhesive tape, RMS-24

Part Number	"A" Standoff Height	Standard Pack Quantity
PSBM-3-01A-RT	4.8	1000
PSBM-4-01A-RT	6.4	1000
PSBM-5-01A-RT	7.9	1000
PSBM-6-01A-RT	9.5	1000
PSBM-7-01A-RT	11.1	1000
PSBM-8-01A-RT	12.7	1000
PSBM-9-01A-RT	14.3	1000
PSBM-10-01A-RT	15.9	1000
PSBM-12-01A-RT	19.1	1000
PSBM-14-01A-RT	22.2	1000

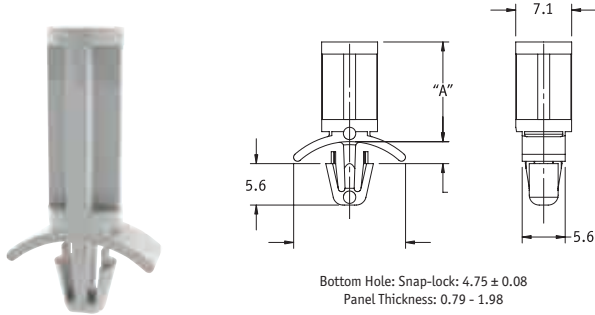


PUSH SPACERS

Push Spacer

SR 2737
PS
Natural

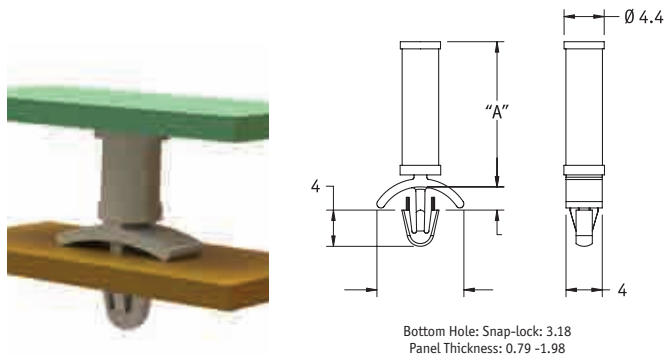
Can't find the size you are looking for? Contact us!



Part Number		"A" Standoff Height	Standard Pack Quantity
UL94 V2 Nylon 6/6, RMS-01	UL94 V-0 Nylon 6/6, RMS-19		
PS-3-01	PS-3-19	4.8	1000
PS-4-01	PS-4-19	6.4	1000
PS-6-01	PS-6-19	9.5	1000
PS-7-01	PS-7-19	11.1	1000
PS-8-01	PS-8-19	12.7	1000
PS-10-01	PS-10-19	15.9	1000
PS-12-01	-	19.1	1000
PS-14-01	PS-14-19	22.2	1000

Mini Push Spacer

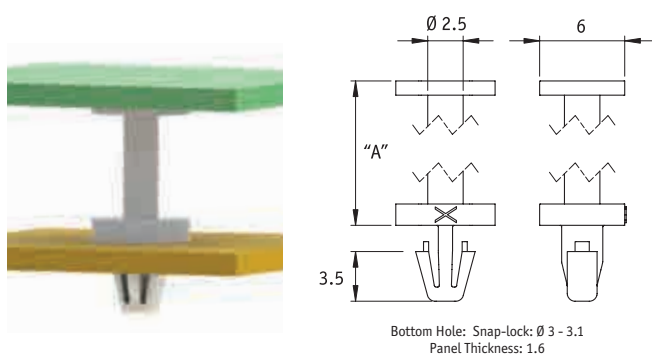
SR 2738
PSM
Natural UL94 V2 Nylon 6/6, RMS-01



Part Number	"A" Standoff Height	Standard Pack Quantity
PSM-2-01	3.2	1000
PSM-3-01	4.8	1000
PSM-4-01	6.4	1000
PSM-5-01	7.9	1000
PSM-6-01	9.5	1000
PSM-7-01	11.1	1000
PSM-8-01	12.7	1000
PSM-9-01	14.3	1000
PSM-10-01	15.9	1000

Metric Push Spacer

SR 2739
PSD
Natural



Part Number		"A" Standoff Height	Standard Pack Quantity
UL94 V-2 Nylon 6/6, RMS-01	UL94 V-0 Nylon 6/6, RMS-19		
PSD-4M-01	-	4	1000
PSD-6M-01	PSD-6M-19	6	1000
PSD-7M-01	PSD-7M-19	7	1000
PSD-8M-01	PSD-8M-19	8	1000
PSD-10M-01	PSD-10M-19	10	1000
PSD-12M-01	-	12	1000
PSD-14M-01	PSD-14M-19	14	1000
PSD-18M-01	PSD-18M-19	18	1000

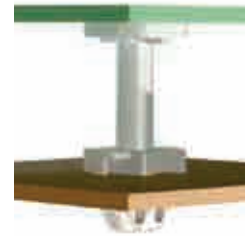
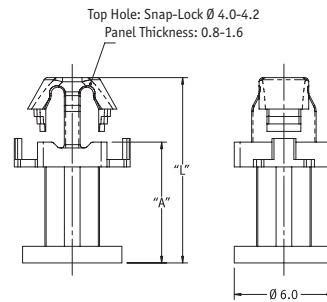
Push Spacer

SR 2740

PSE

Natural

Part Number		"A" Standoff Height	"L"	Standard Pack Quantity
UL94 V-2 Nylon 6/6, RMS-01	UL94 V-0 Nylon 6/6, RMS-19			
PSE-4M-01	PSE-4M-19	4	7.9	1000
-	PSE-6M-19	6	9.9	1000
PSE-7M-01	PSE-7M-19	7	10.9	1000
PSE-8M-01	PSE-8M-19	8	11.9	1000

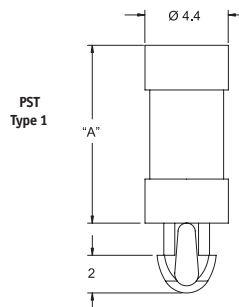


Push Spacer Teardrop

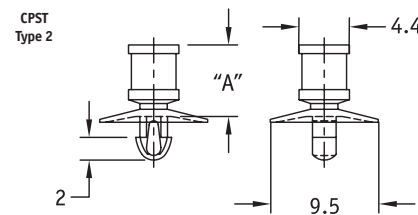
SR 2741

PST/CPST

Natural



Bottom Hole: Snap-lock: 2.54 ± 0.05
Panel Thickness: 1.63 Max.



Bottom Hole: Snap-lock: 2.54 ± 0.05
Panel Thickness: 1.57 Max.



Part Number			"A" Standoff Height	Standard Pack Quantity
PST (Type 1)		CPST (Type 2)		
UL94 V2 Nylon 6/6, RMS-01	UL 94 V0 Nylon 6/6, RMS-19	UL94 V2 Nylon 6/6, RMS-01		
PST-1-01	PST-1-19	-	1.6	1000
PST-2-01	PST-2-19	CPST-2-01	3.2	1000
PST-3-01	PST-3-19	CPST-3-01	4.8	1000
PST-4-01	PST-4-19	CPST-4-01	6.4	1000
PST-5-01	PST-5-19	CPST-5-01	7.9	1000
PST-6-01	PST-6-19	CPST-6-01	9.5	1000
PST-7-01	PST-7-19	CPST-7-01	11.1	1000
PST-8-01	PST-8-19	-	12.7	1000
PST-9-01	PST-9-19	CPST-9-01	14.3	1000
PST-10-01	PST-10-19	CPST-10-01	15.9	1000

Wide Base Push Spacers

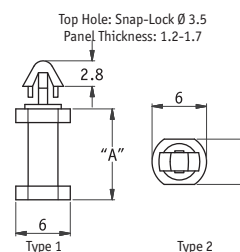
SR 2742

CBPSW

Natural UL94 V2 Nylon 6/6

Part Number	"A" Standoff Height (mm)	Type	Standard Pack Quantity
CBPSW005A	3.0	1	2000
CBPSW010A	3.5	1	2000
CBPSW015A	4.0	1	2000
CBPSW020A	4.5	2	2000
CBPSW025A	5.0	3	2000
CBPSW030A	5.5	2	2000
CBPSW035A	6.0	2	2000
CBPSW040A	6.5	2	2000
CBPSW045A	7.0	2	2000
CBPSW050A	13.5	2	2000
CBPSW055A	26.0	2	2000

- Wide base design on both ends provides additional support for heavily loaded PCBs
- Eliminates the need for screws, nuts and lock washers from mounting process
- Type 1 is as Type 3 but with a solid stand-off body

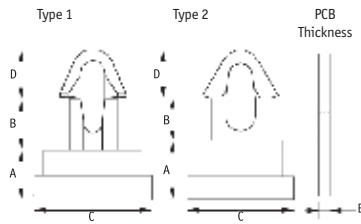


Snap Fit Support Spacer

SR6431

Natural Nylon 6.6

- Prevents bending of large panels or circuit boards
- Simple snap in mounting very quick to install
- Large diameter supporting foot



Type 1 has a PCB hole of 2.0
 Type 2 has a PCB hole of 2.5
 Type 2 has a max PCB thickness of 1.6

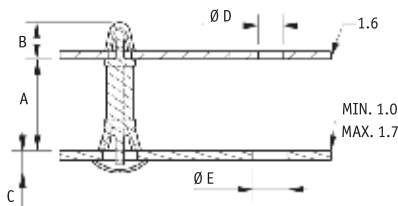
Part Number	Dimensions (mm)					Type	Standard Pack Quantity
	A	B	C	D	E		
10062000002	1.5	2	4.8	2.0	1.6	1	1000
10062010002	2	2.3	4.2	2.0	1.6	1	1000
10062020002	2.5	2	4.8	2.0	1.6	1	1000
10062030002	2	2	4.8	2.0	2.0	1	1000
10062040002	2	2	4.2	2.0	1.6	1	1000
10062050002	1.8	2	4.2	2.0	1.2	1	1000
10062060002	3	2	4.2	2.0	1.6	1	1000
10062070002	2.6	2	4.1	2.0	1.6	1	1000
10062080002	3.5	2	4.8	2.0	1.6	1	1000
10062090002	4	2	3.0	2.0	1.6	1	1000
10062100002	4	2.1	4.8	2.0	1.6	1	1000
10062110002	5	2	4.8	2.0	1.6	1	1000
10062120002	5.6	2	4.8	2.0	1.6	1	1000
10062130002	6	2.1	4.8	2.0	1.6	1	1000
10062140002	6.5	2.2	4.8	2.0	1.6	1	1000
10062150002	6.5	2	4.8	2.0	1.6	1	1000
10061260002	8	3	4.8	2.0	1.6	1	1000
10063000002	1.5	2.1	4.5	2.5	-	2	1000
10063010002	2.5	2.1	4.5	2.5	-	2	1000
10063020002	2.7	2.2	6.0	2.5	-	2	1000
10063030002	2.8	2	5.0	2.5	-	2	1000
10063040002	2.8	2	5.0	2.5	-	2	1000
10063050002	2.95	2	5.0	2.5	-	2	1000
10063060002	3.5	2	4.5	2.5	-	2	1000
10063070002	4	1.9	4.5	2.5	-	2	1000
10063080002	4.5	2.1	4.5	2.5	-	2	1000
10063090002	4	2	5.0	2.5	-	2	1000
10063100002	5	2	3.6	2.5	-	2	1000
10063110002	6.0	1.5	4.5	2.5	-	2	1000

Domed PCB Spacer

SR6433

Natural Nylon 6.6

- PCB easily removed
- Reverse mounting
- Cupped base
- Snap-lock mounting
- PCB hole: 3.0 mm
- Chassis hole: 5.5 mm



Part Number	Dimensions (mm)					Standard Pack Quantity
	"A" Standoff Height	B	C	D	E	
100305200002	5	5.8	3	4	5.5	1000
100306000002	6	5.8	3	4	5.5	1000
100308000002	8	5.8	3	4	5.5	1000
100312000002	12	5.8	3	4	5.5	1000
100316000002	16	5.8	3	4	5.5	1000
100320000002	20	5.8	3	4	5.5	1000
100324000002	24	5.8	3	4	5.5	1000
100328000002	28	5.8	3	4	5.5	1000

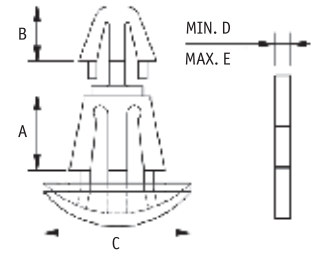
Domed PCB Spacer

SR6432

Natural Nylon 6.6

- PCB easily removed
- Reverse mounting
- Cupped base
- Snap-lock mounting
- PCB hole: 3.0 mm
- Chassis hole: 4.0 mm

Part Number	Dimensions (mm)					Standard Pack Quantity
	"A" Standoff height	B	C	D	E	
100330600002	2.5	2.7	5.8	0.8	1.0	1000
100330700002	2.5	2.65	5.8	0.8	1.0	1000
100330800002	3.2	3.1	8.2	0.8	1.6	1000
100330900002	4	3.1	8.2	0.8	1.6	1000
100331000002	5	3.1	5.8	0.8	1.2	1000
100331100002	6	3.1	8.2	0.8 <td 1.6	1000	
100331200002	10	3.1	8.2	0.8	1.6	1000
100331300002	12	3.1	8.2	0.8	1.6	1000



Domed PCB Spacer

SR 2743

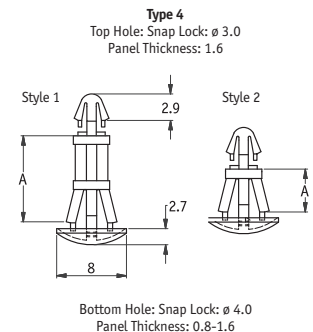
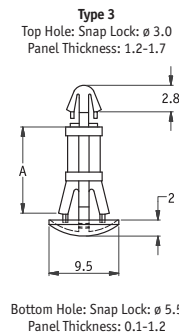
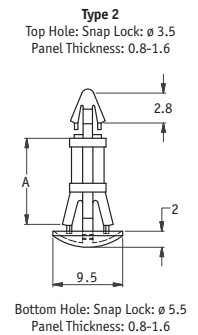
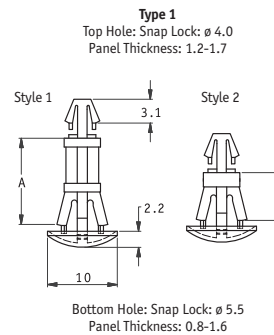
CBRLDS

Natural UL94 V2 Nylon 6/6

- PCB easily Removed
- Reverse mounting
- Cupped base
- Snap-lock mounting

Part Number Type 1	Part Number Type 2	Part Number Type 3	Part Number Type 4	Style*	"A" Standoff Height (mm)	Standard Pack Quantity
-	-	-	CBRLDS405A	2	2.5	2000
-	-	-	CBRLDS410A	2	3.2	2000
CBRLDS005A	CBRLDS205A	CBRLDS305A	-	2	3.5	1000
-	-	-	CBRLDS415A	2	4.0	2000
-	CBRLDS210A	CBRLDS310A	-	-	4.8	1000
CBRLDS010A	-	-	-	2	5.0	1000
-	-	-	CBRLDS420A	1	5.0	2000
-	-	-	CBRLDS425A	1	6.0	1000
CBRLDS015A	CBRLDS215A	CBRLDS315A	-	2	6.4	1000
CBRLDS020A	CBRLDS220A	CBRLDS320A	CBRLDS430A	1	7.0	1000
CBRLDS025A	CBRLDS225A	CBRLDS325A	CBRLDS435A	1	8.0	1000
CBRLDS030A	-	-	-	1	8.5	1000
-	-	-	CBRLDS440A	1	9.0	1000
CBRLDS035A	CBRLDS230A	CBRLDS330A	CBRLDS445A	1	10.0	1000
-	CBRLDS235A	CBRLDS335A	-	-	11.0	1000
CBRLDS040A	-	-	CBRLDS450A	1	12.0	1000
CBRLDS045A	CBRLDS240A	CBRLDS340A	-	1	12.7	1000
CBRLDS050A	-	-	-	1	13.5	1000
CBRLDS055A	-	-	CBRLDS455A	1	14.0	1000
CBRLDS060A	-	-	-	1	15.2	1000
CBRLDS065A	CBRLDS245A	CBRLDS345A	-	1	15.9	1000
-	-	-	CBRLDS460A	1	16.0	1000
CBRLDS070A	-	-	-	1	18.0	1000
CBRLDS075A	-	-	-	1	19.0	1000
CBRLDS080A	-	-	-	1	20.0	1000
CBRLDS085A	-	-	-	1	21.7	500
CBRLDS090A	-	-	-	1	24.0	500
CBRLDS095A	-	-	-	1	25.4	500
CBRLDS100A	-	-	-	1	30.0	500

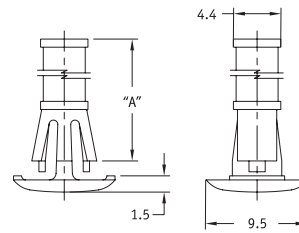
*(Where Applicable)



REVERSE LOCKING SPACERS

Reverse Locking Circuit Board Support Round Hole Spacer

SR 2744
RLCBSRS
Natural Nylon 6/6, RMS-01

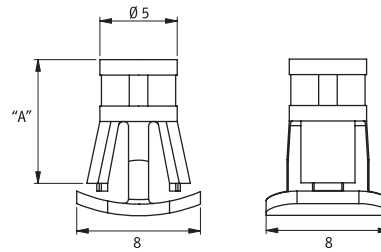


Bottom Hole: Snap-lock: 4.75 ± 0.08
Panel Thickness: 1.5 - 1.6

Part Number	"A" Standoff Height	Standard Pack Quantity
RLCBSRS-4-01	6.4	1000
RLCBSRS-5-01	7.9	1000
RLCBSRS-6-01	9.5	1000
RLCBSRS-7-01	11.1	1000
RLCBSRS-8-01	12.7	1000
RLCBSRS-10-01	15.9	1000

Metric Reverse Lock Circuit Board Support Push Spacer

SR 2745
RLCBSB
Natural UL94 V2 Nylon 6/6, RMS-01

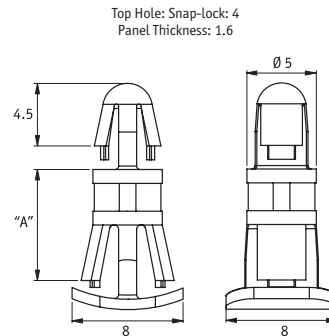


Bottom Hole: Snap-Lock: 5.5
Panel Thickness: 0.5 - 1

Part Number	"A" Standoff Height	Standard Pack Quantity
RLCBSB-5-01	5	1000
RLCBSB-6-01	6	1000
RLCBSB-8-01	8	1000
RLCBSB-10-01	10	1000
RLCBSB-12-01	12	1000
RLCBSB-14-01	14	1000

Metric Reverse Lock Circuit Board Support

SR 2746
RLCBSA
Natural UL94 V2 Nylon 6/6, RMS-01



Top Hole: Snap-lock: 4
Panel Thickness: 1.6

Bottom Hole: Snap-Lock: 5.5
Panel Thickness: 0.5 - 1

Part Number	"A" Standoff Height	Standard Pack Quantity
RLCBSA-5-01	5	1000
RLCBSA-6-01	6	1000
RLCBSA-8-01	8	1000
RLCBSA-10-01	10	1000
RLCBSA-12-01	12	1000
RLCBSA-14-01	14	1000

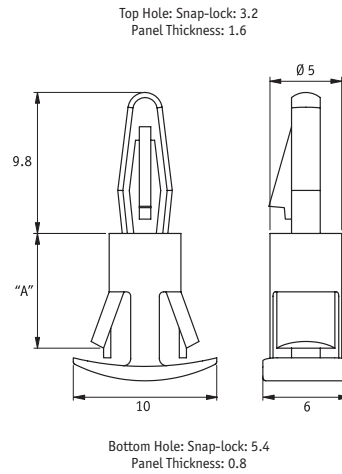
Metric Reverse Lock Circuit Board Support

SR 2747

RLCBSC

Natural UL94 V2 Nylon 6/6, RMS-01

Part Number	"A" Standoff Height	Standard Pack Quantity
RLCBSC-5-01	5	1000
RLCBSC-6-01	6	1000
RLCBSC-8-01	8	1000
RLCBSC-10-01	10	1000
RLCBSC-12-01	12	1000
RLCBSC-14-01	14	1000

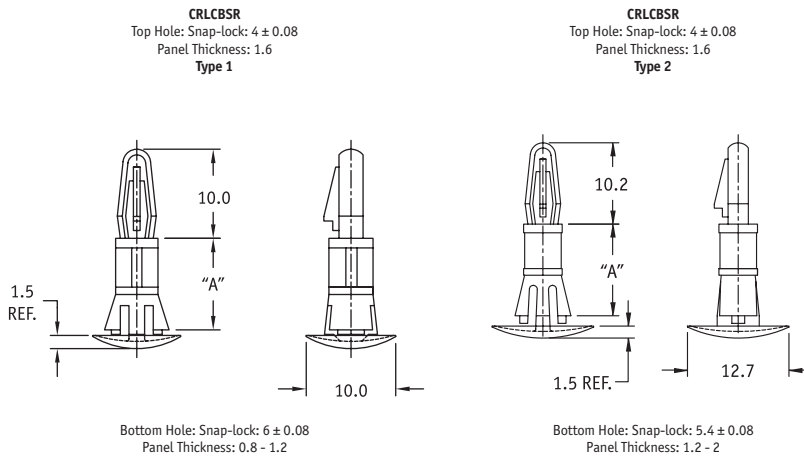


Cupped Reverse Locking Circuit Board Support

SR 2748

CRLCBSR/CRLCBSRE

Can't find the size you are looking for? Contact us!



Part Number						"A" Standoff Height	Standard Pack Quantity
CRLCBSR (Type 1)			CRLCBSRE (Type 2)				
Natural Nylon 6/6, RMS-01	Black Nylon 6/6, RMS-01	Natural UL94 V0 Nylon 6/6, RMS-19	Natural Nylon 6/6, RMS-01	Black Nylon 6/6, RMS-01	Natural UL94 V0 Nylon 6/6, RMS-19		
CRLCBSR-3-01	CRLCBSR-3-01BK	CRLCBSR-3-19	-	-	-	4.8	1000
CRLCBSR-4-01	CRLCBSR-4-01BK	CRLCBSR-4-19	CRLCBSRE-4-01	CRLCBSRE-4-01BK	CRLCBSRE-4-19	6.4	1000
CRLCBSR-5-01	CRLCBSR-5-01BK	CRLCBSR-5-19	-	-	-	7.9	1000
CRLCBSR-6-01	CRLCBSR-6-01BK	CRLCBSR-6-19	CRLCBSRE-6-01	CRLCBSRE-6-01BK	CRLCBSRE-6-19	9.5	1000
CRLCBSR-8-01	CRLCBSR-8-01BK	CRLCBSR-8-19	CRLCBSRE-8-01	CRLCBSRE-8-01BK	CRLCBSRE-8-19	12.7	1000
-	-	-	CRLCBSRE-10-01	CRLCBSRE-10-01B	CRLCBSRE-10-19	15.9	1000
CRLCBSR-12-01	CRLCBSR-12-01BK	-	-	-	-	19.1	1000

REVERSE LOCKING SPACERS

Reverse Mounted Circuit Board Support Round Hole

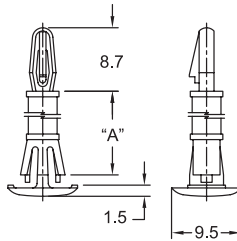
SR 2749

RLCBSR/RLCBSRE/RLCBSR/RCBSR

Can't find the size you are looking for? Contact us!

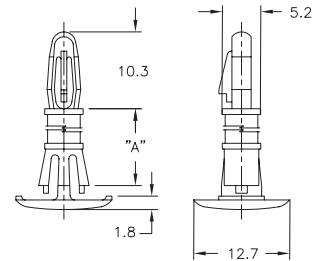


RLCBSR
Top Hole: Snap-lock: 3.18 ± 0.05
Panel Thickness: 1.6
Type 1



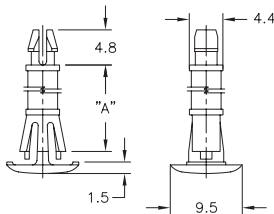
Bottom Hole: Snap-lock: 4.75 ± 0.08
Panel Thickness: 1.5 - 1.6

RLCBSRE
Top Hole: Snap-lock: 4 ± 0.08
Panel Thickness: 1.6
Type 2



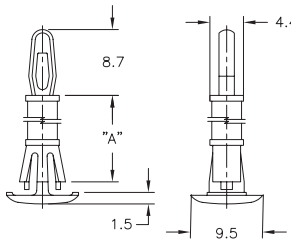
Bottom Hole: Snap-lock: 5.41 ± 0.08
Panel Thickness: 1.5 - 1.65

RLCBSR
Top Hole: Snap-lock: 3.18 ± 0.05
Panel Thickness: 1.6
Type 3



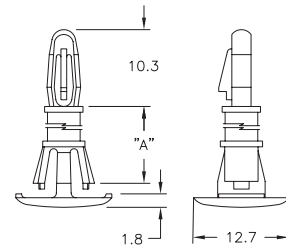
Bottom Hole: Snap-lock: 4.75 ± 0.08
Panel Thickness: 1.5 - 1.6

RCBSR
Top Hole: Snap-fit: 3.18 ± 0.05
Panel Thickness: 1.6
Type 4



Bottom Hole: Snap-lock: 4.75 ± 0.08
Panel Thickness: 1.5 - 1.6

RLCBSR1
Top Hole: Snap-lock: 4 ± 0.08
Panel Thickness: 1.6
Type 5



Bottom Hole: Snap-lock: 6.35 ± 0.08
Panel Thickness: 1.5 - 1.65

Part Number					"A" Stand-off Height	Material	Standard Pack Quantity
RLCBSR (Type 1)	RLCBSRE (Type 2)	RLCBSR (Type 3)	RCBSR (Type 4)	RLCBSR1 (Type 5)			
RLCBSR-4-01	RLCBSRE-4-01	RLCBSR-4-01	RCBSR-4-01	RLCBSR1-4-01	6.4	Natural UL94 V2 Nylon, RMS-01	1000
RLCBSR-5-01	-	RLCBSR-5-01	-	-	7.9	Natural UL94 V2 Nylon, RMS-01	1000
RLCBSR-6-01	RLCBSRE-6-01	RLCBSR-6-01	RCBSR-6-01	RLCBSR1-6-01	9.5	Natural UL94 V2 Nylon, RMS-01	1000
RLCBSR-7-01	-	RLCBSR-7-01	RCBSR-7-01	-	11.1	Natural UL94 V2 Nylon, RMS-01	1000
RLCBSR-8-01	RLCBSRE-8-01	RLCBSR-8-01	RCBSR-8-01	RLCBSR1-8-01	12.7	Natural UL94 V2 Nylon, RMS-01	1000
RLCBSR-9-01	-	RLCBSR-9-01	RCBSR-9-01	-	14.3	Natural UL94 V2 Nylon, RMS-01	1000
RLCBSR-10-01	RLCBSRE-10-01	RLCBSR-10-01	RCBSR-10-01	-	15.9	Natural UL94 V2 Nylon, RMS-01	1000
RLCBSR-4-19	-	RLCBSR-4-19	-	-	6.4	Natural UL94 V0 Nylon, RMS-19	1000
RLCBSR-5-19	-	RLCBSR-5-19	-	-	7.9	Natural UL94 V0 Nylon, RMS-19	1000
RLCBSR-6-19	-	RLCBSR-6-19	-	-	9.5	Natural UL94 V0 Nylon, RMS-19	1000
RLCBSR-7-19	-	RLCBSR-7-19	-	-	11.1	Natural UL94 V0 Nylon, RMS-19	1000
RLCBSR-8-19	-	RLCBSR-8-19	-	-	12.7	Natural UL94 V0 Nylon, RMS-19	1000
RLCBSR-9-19	-	RLCBSR-9-19	-	-	14.3	Natural UL94 V0 Nylon, RMS-19	1000
RLCBSR-10-19	-	RLCBSR-10-19	-	-	15.9	Natural UL94 V0 Nylon, RMS-19	1000
RLCBSR-4-01BK	RLCBSRE-4-01BK	RLCBSR-4-01BK	-	RLCBSR1-4-01BK	6.4	Black UL94 V2 Nylon, RMS-01	1000
RLCBSR-5-01BK	-	RLCBSR-5-01BK	-	-	7.9	Black UL94 V2 Nylon, RMS-01	1000
RLCBSR-6-01BK	RLCBSRE-6-01BK	-	-	RLCBSR1-6-01BK	9.5	Black UL94 V2 Nylon, RMS-01	1000
RLCBSR-7-01BK	-	RLCBSR-7-01BK	-	-	11.1	Black UL94 V2 Nylon, RMS-01	1000
RLCBSR-8-01BK	RLCBSRE-8-01BK	-	-	-	12.7	Black UL94 V2 Nylon, RMS-01	1000
RLCBSR-9-01BK	-	-	-	-	14.3	Black UL94 V2 Nylon, RMS-01	1000
-	RLCBSRE-10-01BK	-	-	-	15.9	Black UL94 V2 Nylon, RMS-01	1000

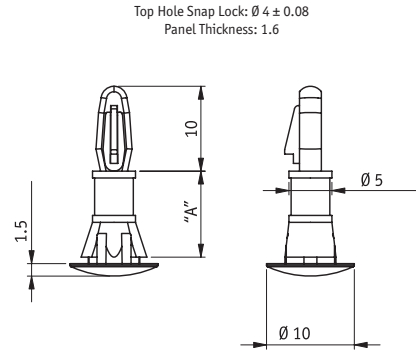
Metric Reverse Locking Circuit Board Support

SR 2750

CRLCBSM

Natural UL94 V0 Nylon 6/6, RMS-19

Part Number	"A" Standoff Height	Panel Thickness	Standard Pack Quantity
CRLCBSM-5-19	5	0.8 - 1.2	1000
CRLCBSM-6-19	6	0.8 - 1.2	1000
CRLCBSM-7-19	7	0.8 - 1.2	1000
CRLCBSM-10-19	10	0.8 - 1.2	1000
CRLCBSM-12-19	12	0.8 - 1.2	1000
CRLCBSM-14-19	14	0.8 - 1.2	1000
CRLCBSM-16-19	16	0.8 - 1.2	1000
CRLCBSM1-5-19	5	1.6 - 2.0	1000
CRLCBSM1-6-19	6	1.6 - 2.0	1000
CRLCBSM1-7-19	7	1.6 - 2.0	1000
CRLCBSM1-8-19	8	1.6 - 2.0	1000
CRLCBSM1-9-19	9	1.6 - 2.0	1000
CRLCBSM1-10-19	10	1.6 - 2.0	1000
CRLCBSM1-12-19	12	1.6 - 2.0	1000
CRLCBSM1-16-19	16	1.6 - 2.0	1000



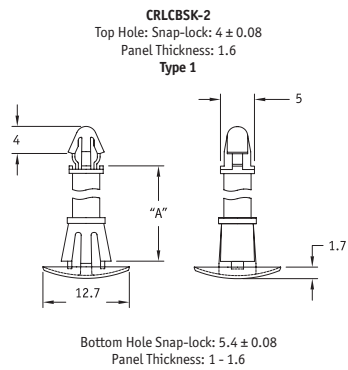
Bottom Hole Snap-lock: $\varnothing 6 \pm 0.08$
Panel Thickness: see table



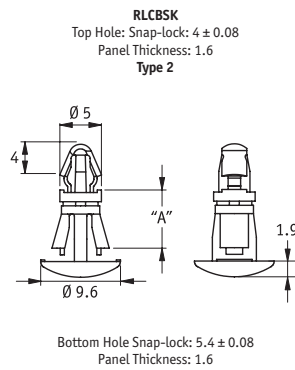
Cupped Reverse Locking Circuit Board Support

SR 2751

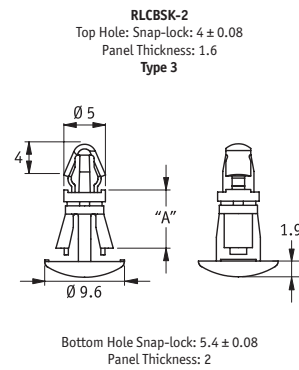
RLCBSK/CRLCBSK



Bottom Hole Snap-lock: 5.4 ± 0.08
Panel Thickness: 1 - 1.6



Bottom Hole Snap-lock: 5.4 ± 0.08
Panel Thickness: 1.6



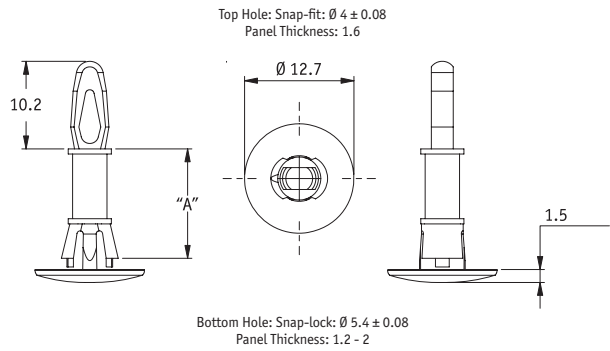
Bottom Hole Snap-lock: 5.4 ± 0.08
Panel Thickness: 2



Part Number						"A" Standoff Height	Material	Standard Pack Quantity
CRLCBSK-2 (Type 1)		RLCBSK (Type 2)		RLCBSK-2 (Type 3)				
Natural	Black	Natural	Black	Natural	Black			
-	-	RLCBSK-6-01	RLCBSK-6-01BK	RLCBSK-2-6-01	RLCBSK-2-6-01BK	6	Nylon 6/6, RMS-01	1000
-	-	RLCBSK-7-01	-	RLCBSK-2-7-01	-	7	Nylon 6/6, RMS-01	1000
CRLCBSK-2-8-01	-	RLCBSK-8-01	RLCBSK-8-01BK	RLCBSK-2-8-01	RLCBSK-2-8-01BK	8	Nylon 6/6, RMS-01	1000
CRLCBSK-2-10-01	CRLCBSK2-10-01B	RLCBSK-10-01	RLCBSK-10-01BK	RLCBSK-2-10-01	RLCBSK2-10-01BK	10	Nylon 6/6, RMS-01	1000
CRLCBSK-2-12-01	CRLCBSK2-12-01B	RLCBSK-12-01	-	RLCBSK-2-12-01	-	12	Nylon 6/6, RMS-01	1000
-	-	RLCBSK-14-01	-	-	RLCBSK2-14-01BK	14	Nylon 6/6, RMS-01	1000
-	-	RLCBSK-16-01	-	RLCBSK-2-16-01	-	16	Nylon 6/6, RMS-01	1000
-	-	RLCBSK-6-19	-	RLCBSK-2-6-19	-	6	UL94 V0 Nylon 6/6, RMS-19	1000
-	-	RLCBSK-7-19	-	-	-	7	UL94 V0 Nylon 6/6, RMS-19	1000
CRLCBSK-2-8-19	-	RLCBSK-8-19	-	RLCBSK-2-8-19	-	8	UL94 V0 Nylon 6/6, RMS-19	1000
CRLCBSK-2-10-19	-	RLCBSK-10-19	-	RLCBSK-2-10-19	-	10	UL94 V0 Nylon 6/6, RMS-19	1000
-	-	RLCBSK-12-19	-	-	-	12	UL94 V0 Nylon 6/6, RMS-19	1000
CRLCBSK-2-14-19	-	RLCBSK-14-19	-	RLCBSK-2-14-19	-	14	UL94 V0 Nylon 6/6, RMS-19	1000
-	-	RLCBSK-16-19	-	RLCBSK-2-16-19	-	16	UL94 V0 Nylon 6/6, RMS-19	1000

Reverse Locking Circuit Board Support

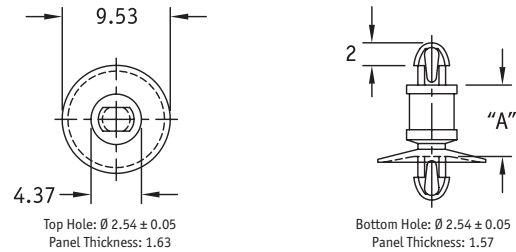
SR 2752
CRCBSRE
Natural



Part Number		"A" Standoff Height	Standard Pack Quantity
UL94 V-2 Nylon 6/6, RMS-01	UL94 V-0 Nylon 6/6, RMS-19		
CRCBSRE-3-01	CRCBSRE-3-19	4.8	1000
CRCBSRE-4-01	CRCBSRE-4-19	6.4	1000
CRCBSRE-6-01	CRCBSRE-6-19	9.5	1000
CRCBSRE-8-01	CRCBSRE-8-19	12.7	1000
CRCBSRE-10-01	CRCBSRE-10-19	15.9	1000

Cupped Dual Locking Circuit Board Support

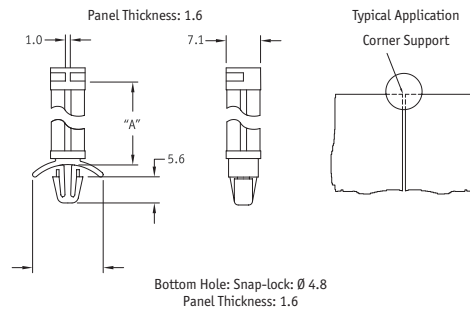
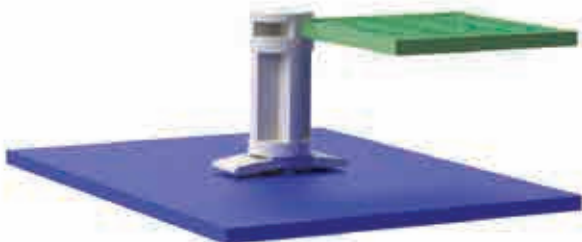
SR2753
CHDLCBST
Natural UL94 V-2 Nylon 6/6, RMS-01



Part Number	"A" Standoff Height	Standard Pack Quantity
CHDLCBST-2-01	3.18	1000
CHDLCBST-3-01	4.76	1000
CHDLCBST-4-01	6.35	1000
CHDLCBST-7-01	11.11	1000
CHDLCBST-8-01	12.7	1000

Locking Corner Edge Circuit Board Support

SR 2754
CHCBS
Natural UL94 V2 Nylon 6/6, RMS-01



Part Number	"A" Standoff Height	Standard Pack Quantity
CHCBS-3-01	4.8	1000
CHCBS-4-01	6.4	1000
CHCBS-6-01	9.5	1000
CHCBS-10-01	15.9	1000
-	22.2	1000

Corner Edge Holding Circuit Board Support

SR 2745

TCEHCBS/MSCEHCBS

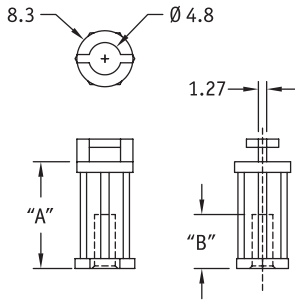
Natural Nylon 6/6, RMS-01



TCEHCBS

Top Panel Thickness: 1.57

Type 1

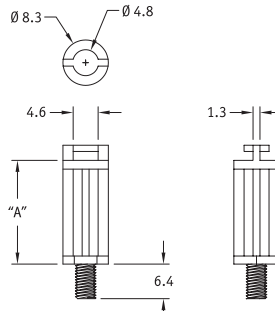


Bottom Hole: For Metal # 6 (M3.5) Type "B" Self-Tapping Screw

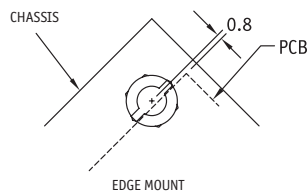
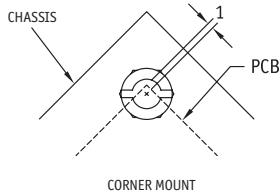
MSCEHCBS

Top Panel Thickness: 1.6

Type 2



Bottom Hole: M4 Thread



Part Number	"A" Standoff Height	"B"	Type	Standard Pack Quantity
TCEHCBS-4-01	6.4	5.2	1	1000
TCEHCBS-6-01	9.5	7.9	1	1000
TCEHCBS-8-01	12.7	7.9	1	1000
TCEHCBS-10-01	15.9	7.9	1	1000
TCEHCBS-12-01	19.1	7.9	1	1000
TCEHCBS-14-01	22.2	7.9	1	1000
MSCEHCBS-4-01	6.4	5.2	2	1000
MSCEHCBS-6-01	9.5	7.9	2	1000
MSCEHCBS-8-01	12.7	7.9	2	1000
MSCEHCBS-10-01	15.9	7.9	2	1000
MSCEHCBS-12-01	19.1	7.9	2	1000
MSCEHCBS-14-01	22.2	7.9	2	1000

Universal Board Mount

SR 2756

UBM & UBMC

Natural

UBM

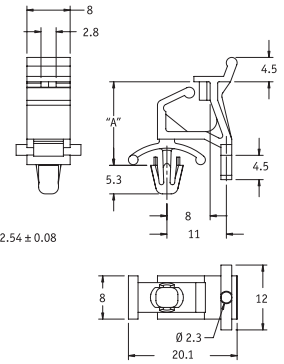
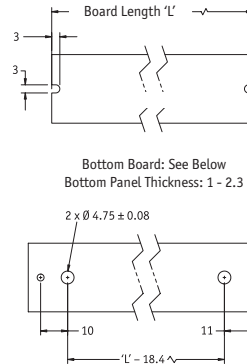
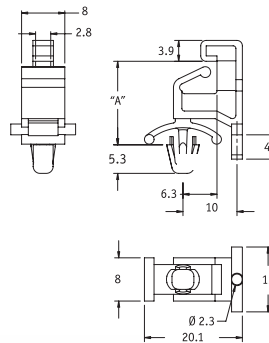
Type 1

MOUNTING LAYOUT

Top Board: See Below
Top Panel Thickness: 1.6 - 2.3

UBMC

Type 2



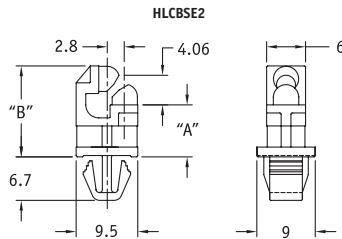
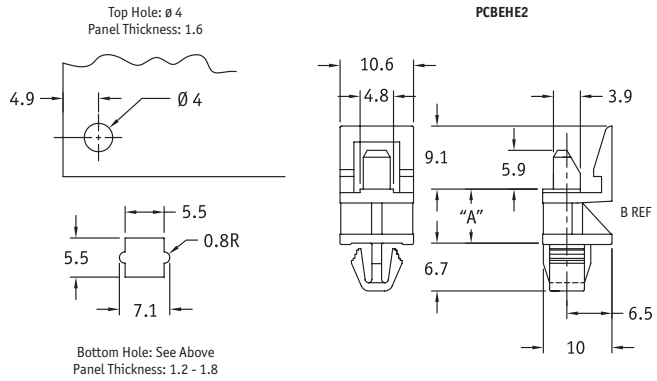
Part Number	"A" Standoff Height	Standard Pack Quantity
UBM (Type 1)		
Nylon 6/6, RMS-01		
UBM-12.3M-01	12.3	500
UBM-15.5M-01	15.5	500
UBM-22.0M-01	22	500
UBMC (Type 2)		
Nylon 6/6, RMS-01		
UBMC-12.3M-01	12.3	500
UBMC-15.5M-01	15.5	500
-	-	-

Hinged Locking Circuit Board Support System

SR 2757

HLCBSE2 & PCBEHE2, UL94 V2 Nylon 6/6, RMS-01

Natural



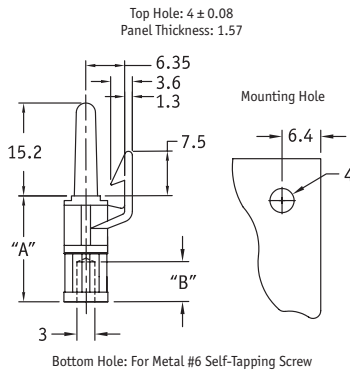
Part Number	"A" Standoff Height	"B"	Part Number	"A" Standoff Height	"B"	Standard Pack Quantity
HLCBSE2-4M-01	4	10	PCBEHE2-4M-01	4	13.1	1000
HLCBSE2-6M-01	6	12	PCBEHE2-6M-01	6	15.1	1000
HLCBSE2-8M-01	8	14	PCBEHE2-8M-01	8	17.1	1000
HLCBSE2-10M-01	10	16	PCBEHE2-10M-01	10	19.1	1000
HLCBSE2-12M-01	12	18	PCBEHE2-14M-01	14	23.1	1000
HLCBSE2-25M-01	25	31	PCBEHE2-25M-01	25	34.1	1000
HLCBSE2-30M-01	30	36	PCBEHE2-30M-01	30	39.1	1000

Edge Holding Circuit Board Support

SR 2758

TEHCBS

Natural



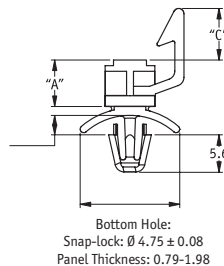
Part Number		"A" Standoff Height	"B"	Standard Pack Quantity
UL94 V2 Nylon 6/6, RMS-01	UL94 V0 Nylon 6/6, RMS-19			
TEHCBS-4-01	TEHCBS-4-19	6.4	6.4	1000
TEHCBS-5-01	-	7.9	5.2	1000
TEHCBS-6-01	TEHCBS-6-19	9.5	6.4	1000
TEHCBS-8-01	TEHCBS-8-19	12.7	6.4	1000
TEHCBS-10-01	TEHCBS-10-19	15.9	6.4	1000
TEHCBS-12-01	TEHCBS-12-19	19.1	6.4	1000
-	TEHCBS-14-19	22.2	6.4	1000
-	TEHCBS-16-19	25.4	6.4	1000

Edge Holding Circuit Board Support, No Nose

SR 2759

EHCBS-9/10

Natural, UL94 V2 Nylon 6/6, RMS-01



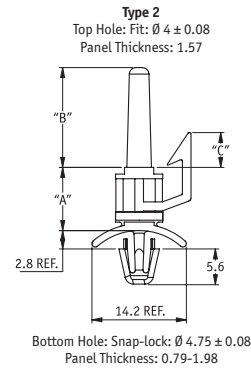
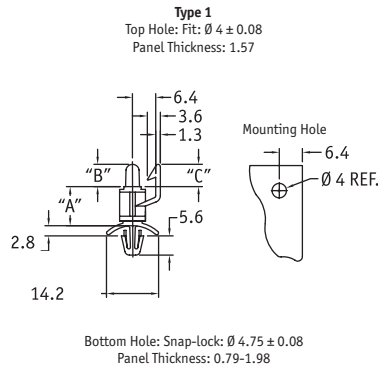
Part Number		"A" Standoff Height	Standard Pack Quantity
"C" = 6.1	"C" = 7.5		
EHCBS-9-5-01	EHCBS-10-5-01	7.9	1000
EHCBS-9-6-01	EHCBS-10-6-01	9.5	1000
-	EHCBS-10-8-01	12.7	1000
EHCBS-9-10-01	EHCBS-10-10-01	15.9	1000
-	EHCBS-10-12-01	19.1	1000
-	EHCBS-10-14-01	22.2	1000
-	EHCBS-10-16-01	25.4	1000

Edge Holding Circuit Board Support

SR 2760

EHCBS

Natural



Part Number								"A"	Standard Pack Quantity
Type 1				Type 2					
"B" = 15.2 "C" = 7.5		"B" = 6.1 "C" = 6.1		"B" = 6.1 "C" = 7.5		"B" = 15.2 "C" = 6.1			
UL94 V2 Nylon 6/6, RMS-01	UL94 V0 Nylon 6/6, RMS-19	UL94 V2 Nylon 6/6, RMS-01	UL94 V0 Nylon 6/6, RMS-19	UL94 V2 Nylon 6/6, RMS-01	UL94 V0 Nylon 6/6, RMS-19	UL94 V2 Nylon 6/6, RMS-01	UL94 V0 Nylon 6/6, RMS-19		
EHCBS-5-01	EHCBS-5-19	EHCBS-6-5-01	EHCBS-6-5-19	EHCBS-7-5-01	EHCBS-7-5-19	EHCBS-8-5-01	-	7.9	1000
EHCBS-6-01	-	EHCBS-6-6-01	EHCBS-6-6-19	EHCBS-7-6-01	EHCBS-7-6-19	EHCBS-8-6-01	-	9.5	1000
EHCBS-8-01	EHCBS-8-19	EHCBS-6-8-01	EHCBS-6-8-19	EHCBS-7-8-01	EHCBS-7-8-19	EHCBS-8-8-01	EHCBS-8-8-19	12.7	1000
EHCBS-10-01	EHCBS-10-19	-	EHCBS-6-10-19	-	EHCBS-7-10-19	EHCBS-8-10-01	EHCBS-8-10-19	15.9	1000
EHCBS-12-01	-	EHCBS-6-12-01	EHCBS-6-12-19	EHCBS-7-12-01	EHCBS-7-12-19	EHCBS-8-12-01	EHCBS-8-12-19	19.1	1000
-	EHCBS-14-19	-	EHCBS-6-14-19	-	EHCBS-7-14-19	EHCBS-8-14-01	EHCBS-8-14-19	22.2	1000
EHCBS-16-01	EHCBS-16-19	EHCBS-6-16-01	EHCBS-6-16-19	EHCBS-7-16-01	EHCBS-7-16-19	EHCBS-8-16-01	EHCBS-8-16-19	25.4	1000

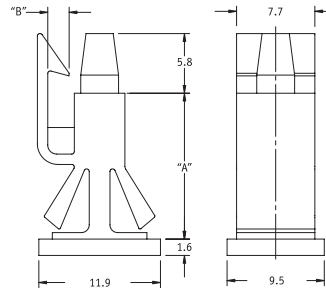
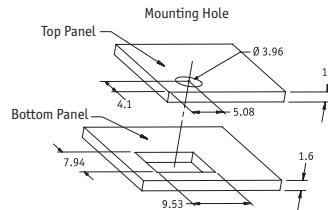
Reverse Locking Edge Holding Circuit Board Support

SR 2761

RLEHCBS

Black, UL94 V2 Nylon 6/6,

RMS-01



Part number	"A" Standoff Height	"B"	Standard Pack Quantity
RLEHCBS-5-01BK	9.5	1.5	1000
RLEHCBS-6-01BK	11.1	1.5	1000
RLEHCBS-7-01BK	12.7	2.1	1000
RLEHCBS-8-01BK	14.3	2.1	1000

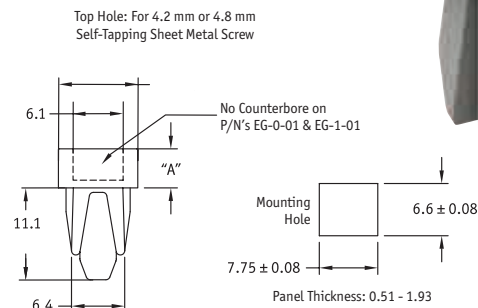
Expansion Grommet

SR 2762

EG

Natural, Nylon 6/6, RMS-01

Part Number	"A" Standoff Height	Standard Pack Quantity
EG-0-01	0.8	1000
EG-1-01	1.6	1000
EG-2-01	3.2	1000
EG-3-01	4.8	1000
EG-4-01	6.4	1000
EG-5-01	7.9	1000
EG-7-01	11.1	1000
EG-8-01	12.7	1000

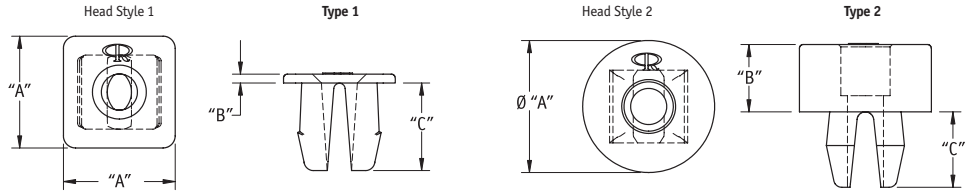


Self-Retaining Screw Grommet

SR 2763

SRSg

Nylon 6/6, RMS-01



Part Number	"A" Head Size	"B" Head Thickness	"C" Prong Length	Mounting Hole Size (Square)	Panel Thickness Range	Metal Self-Tapping Screw Size (mm)	Type	Head Style	Standard Pack Quantity
SRSg6-04-01	9.7 x 9.7	1	7.1	6.22-6.48	0.79-3.18	3.5	1	1	1000
SRSg-1D	12.4 Dia.	6.1-6.6	7.1	7.14-7.26	0.79-2.77*	4.2 or 4.8	2	2	1000
SRSg-2D	12.4 Dia.	7.8-8.1	7.1	7.14-7.26	0.79-2.77*	4.2 or 4.8	2	2	1000
SRSg-3D	12.4 Dia.	9.1-9.9	7.1	7.14-7.26	0.79-2.77*	4.2 or 4.8	2	2	1000
SRSg-4D	12.4 Dia.	12.3-13.1	7.1	7.14-7.26	0.79-2.77*	4.2 or 4.8	2	2	1000
SRSg-5D	12.4 Dia.	15.5-16.3	7.1	7.14-7.26	0.79-2.77*	4.2 or 4.8	2	2	1000
SRSg-6D	12.4 Dia.	17.1-17.8	7.1	7.14-7.26	0.79-2.77*	4.2 or 4.8	2	2	1000
SRSg-7S	10.3 x 10.3	0.7 - 1	8.3	6.99-7.37	0.79-3.3	4.2 or 4.8	1	1	1000
SRSg-8S	10.3 x 10.3	1.4 - 1.7	8.3	6.99-7.37	0.79-3.3	4.2 or 4.8	1	1	1000
SRSg-9D	12.7 Dia.	2.4-2.6	8.3	7.11-7.49	0.79-3.96	4.2 or 4.8	1	2	1000
SRSg-10D	12.7 Dia.	3.2-3.4	8.3	7.11-7.49	0.79-3.96	4.2 or 4.8	1	2	1000
SRSg-11D	12.7 Dia.	9.1-9.9	8.3	7.11-7.49	0.79-3.96	4.2 or 4.8	1	2	1000

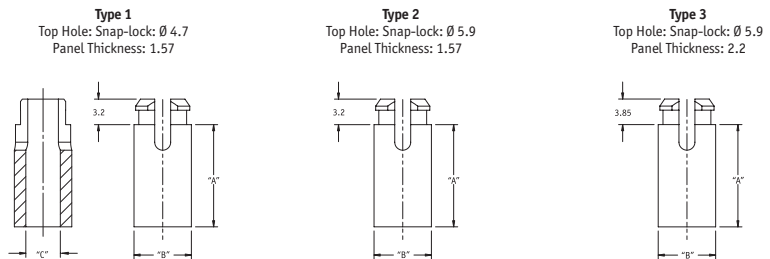
*At minimum panel thickness, part will only function with a 4.8 mm screw.

Self-Retaining Spacer

SR 2764

SRS

Natural



Part Number				"A" Standoff Height	Material	Standard Pack Quantity
Type 1	Type 2	Type 3				
For M3 Screw	For M3.5 Screw	For M4 Screw				
"B" = 6.4 "C" = 3.2	"B" = 7.1 "C" = 3.9	"B" = 7.1 "C" = 4.3				
SRS4-2-01	-	-	-	3.2	UL94 V2 Nylon 6/6, RMS-01	1000
SRS4-3-01	-	SRS8-3-01	SRS8-2-3-01	4.8	UL94 V2 Nylon 6/6, RMS-01	1000
SRS4-4-01	SRS6-4-01	SRS8-4-01	SRS8-2-4-01	6.4	UL94 V2 Nylon 6/6, RMS-01	1000
SRS4-5-01	SRS6-5-01	SRS8-5-01	SRS8-2-5-01	7.9	UL94 V2 Nylon 6/6, RMS-01	1000
SRS4-6-01	SRS6-6-01	SRS8-6-01	SRS8-2-6-01	9.5	UL94 V2 Nylon 6/6, RMS-01	1000
SRS4-7-01	SRS6-7-01	SRS8-7-01	SRS8-2-7-01	11.1	UL94 V2 Nylon 6/6, RMS-01	1000
SRS4-8-01	SRS6-8-01	SRS8-8-01	SRS8-2-8-01	12.7	UL94 V2 Nylon 6/6, RMS-01	1000
SRS4-10-01	SRS6-10-01	SRS8-10-01	SRS8-2-10-01	15.9	UL94 V2 Nylon 6/6, RMS-01	1000
SRS4-12-01	SRS6-12-01	SRS8-12-01	SRS8-2-12-01	19.1	UL94 V2 Nylon 6/6, RMS-01	1000
SRS4-14-01	SRS6-14-01	-	SRS8-2-14-01	22.2	UL94 V2 Nylon 6/6, RMS-01	1000
SRS4-16-01	SRS6-16-01	SRS8-16-01	SRS8-2-16-01	25.4	UL94 V2 Nylon 6/6, RMS-01	1000
SRS4-2-19	-	-	-	3.2	UL94 V0 Nylon 6/6, RMS-19	1000
SRS4-3-19	-	SRS8-3-19	SRS8-2-3-19	4.8	UL94 V0 Nylon 6/6, RMS-19	1000
-	SRS6-4-19	-	SRS8-2-4-19	6.4	UL94 V0 Nylon 6/6, RMS-19	1000
SRS4-5-19	-	-	SRS8-2-5-19	7.9	UL94 V0 Nylon 6/6, RMS-19	1000
-	-	-	SRS8-2-6-19	9.5	UL94 V0 Nylon 6/6, RMS-19	1000
SRS4-7-19	-	SRS8-7-19	SRS8-2-7-19	11.1	UL94 V0 Nylon 6/6, RMS-19	1000
SRS4-8-19	-	SRS8-8-19	-	12.7	UL94 V0 Nylon 6/6, RMS-19	1000
SRS4-10-19	-	-	-	15.9	UL94 V0 Nylon 6/6, RMS-19	1000
-	-	-	SRS8-2-12-19	19.1	UL94 V0 Nylon 6/6, RMS-19	1000
SRS4-14-19	-	-	SRS8-2-14-19	22.2	UL94 V0 Nylon 6/6, RMS-19	1000
-	-	-	SRS8-2-16-19	25.4	UL94 V0 Nylon 6/6, RMS-19	1000

Stackable Self-Retaining Spacer

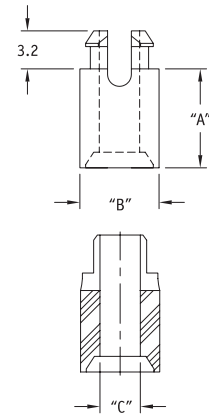
SR 2765

SSRS

Natural, UL94 V2 Nylon 6/6, RMS-01

Part Number			"A" Standoff Height	Standard Pack Quantity
For M3 Screw	For M3 Screw	For M4 Screw		
"B" = 6.6 "C" = 3.3 Top Hole = 4.75±0.08	"B" = 7.9 "C" = 3.9 Top Hole = 5.94±0.08	"B" = 7.9 "C" = 4.3 Top Hole = 5.94±0.08		
SSRS4-2-01	-	-	3.2	1000
SSRS4-3-01	-	-	4.8	1000
SSRS4-4-01	SSRS6-4-01	SSRS8-4-01	6.4	1000
SSRS4-5-01	SSRS6-5-01	SSRS8-5-01	7.9	1000
SSRS4-6-01	SSRS6-6-01	SSRS8-6-01	9.5	1000
SSRS4-7-01	SSRS6-7-01	SSRS8-7-01	11.1	1000
SSRS4-8-01	SSRS6-8-01	SSRS8-8-01	12.7	1000
SSRS4-10-01	SSRS6-10-01	SSRS8-10-01	15.9	1000
-	-	SSRS8-12-01	19.1	1000
-	SSRS6-14-01	SSRS8-14-01	22.2	1000
-	SSRS6-16-01	SSRS8-16-01	25.4	1000

Top Hole: Locking: See Table
Panel Thickness: 1.57

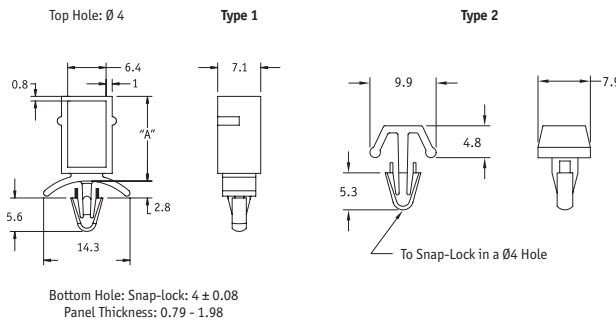


Circuit Board Stacking Spacer

SR 2766

CBSS

Natural



Spacer (Type 1)		Mounting Button (Type 2)		Standard Pack Quantity
Natural Nylon 6/6, RMS-01	"A" Standoff Height	Natural UL94 V2 Nylon 6/6,RMS-01	Total Holding Thickness	
CBSS-8-01	10.9	MB-1-156	0.8 - 2.4	1000
CBSS-10-01	14	MB-1-156	0.8 - 2.4	1000
CBSS-12-01	17.3	MB-1-156	0.8 - 2.4	1000
CBSS-14-01	20.3	MB-1-156	0.8 - 2.4	1000

Collar Space

SR 2767

CSP & CSR

Natural UL94 V2 Nylon 6/6, RMS-01

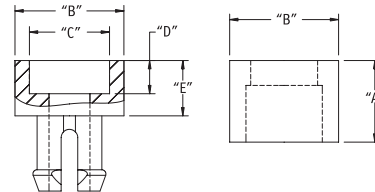
Retainer

Part Number	"A"	"B"	Mating Pin (CSP) No.	Standard Pack Quantity
CSR4-224-01	5.7	7.5	CSP4-01	1000
CSR4-295-01	7.5	7.5	CSP4-01	1000
CSR4-394-01	10	7.5	CSP4-01	1000
CSR4-591-01	15	7.5	CSP4-01	1000
CSR6-224-01	5.7	10	CSP6-01	1000
CSR6-295-01	7.5	10	CSP6-01	1000
CSR6-394-01	10	10	CSP6-01	1000
CSR6-591-01	15	10	CSP6-01	1000
CSR8-224-01	5.7	11	CSP8-01	1000
CSR8-295-01	7.5	11	CSP8-01	1000
CSR8-394-01	10	11	CSP8-01	1000
CSR8-591-01	15	11	CSP8-01	1000
CSR8-787-01	20	11	CSP8-01	1000

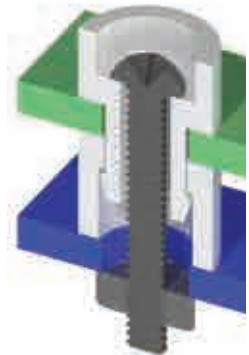
CSP (PIN)

CSR (RETAINER)

Top Hole: See Table
Panel Thickness: 2.36 Max.



Bottom Hole: See Table



Pin

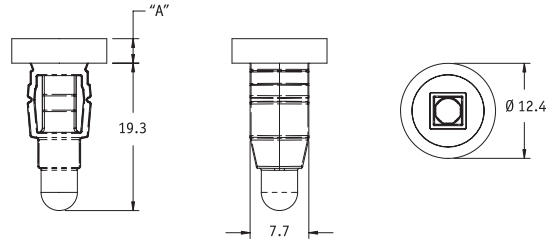
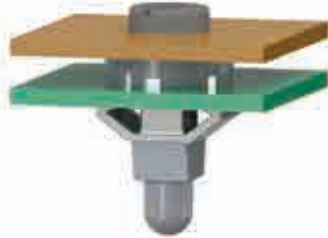
Part Number	"B"	"C" Dia.	"D" Ref.	"E" Ref.	Mounting Hole Diameter ±0.08	Binding Head Type Screw Size	Standard Pack Quantity
CSP4-01	7.5	-	-	2.5	5	M2.5	1000
CSP6-01	10	7.4	3	5.1	6.5	M3	1000
CSP8-01	11.1	8.4	3.6	5.6	6.9	M4	1000

Toggle Fixer

SR 2768

TFR

Natural UL94 V2 Nylon 6/6, RMS-01



Part Number	"A"	Panel Thickness	Mounting Hole Ø	Standard Pack Quantity
TFR-1	0.8	1.5 - 2.8	8 ± 0.1 Square	1000
TFR-2	3.2	0.5 - 2.8	8 ± 0.1 Square	1000
TFR-3	4.8	0.5 - 2.8	8 ± 0.1 Square	1000

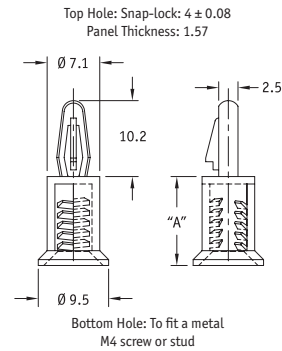
Accepts Metal Self-Tapping Screw Size 4.2mm

Stud Fitting Circuit Board Support

SR 2769

SFCBS

Natural Nylon 6/6, RMS-01



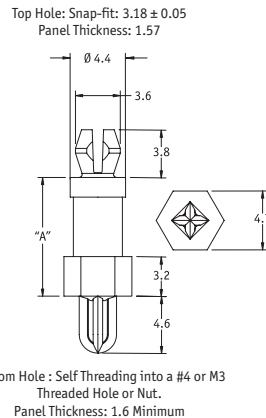
Part Number	"A" Standoff Height	Stud Length	Standard Pack Quantity
SFCBS-M4-10M-01	10	8	1000
SFCBS-M4-12M-01	12	10	1000
SFCBS-M4-14M-01	14	12	1000
SFCBS-M4-16M-01	16	14	1000
SFCBS-M4-18M-01	18	16	1000
SFCBS-M4-20M-01	20	18	1000

Mini Support Post Self-Threading

SR 2770

MSPMST

Natural Nylon 6/6, RMS-01



Part Number	"A" Standoff Height	Standard Pack Quantity
MSPMST-2-01	3.2	1000
MSPMST-3-01	4.8	1000
MSPMST-4-01	6.4	1000
MSPMST-5-01	7.9	1000
MSPMST-6-01	9.5	1000
MSPMST-7-01	11.1	1000
MSPMST-8-01	12.7	1000
MSPMST-9-01	14.3	1000

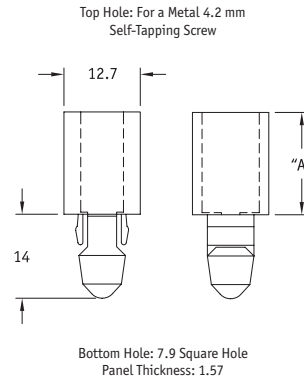
Spacer Nut

SR 2771

SN

Clear Polycarbonate RMS-03

Part Number	"A" Standoff Height	Standard Pack Quantity
SN-187	4.8	1000
SN-250	6.4	1000
SN-312	8	1000
SN-500	12.7	1000



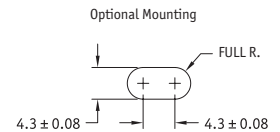
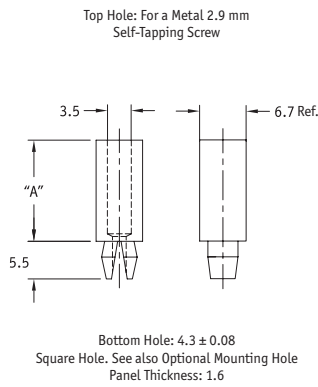
Spacer Nut

SR 2772

MSNE

Natural

Part Number		Dimension	Standard Pack Quantity
UL94 V2 Nylon 6/6, RMS-01	UL94 V0 Nylon 6/6, RMS-19	"A" Standoff Height	
MSNE-2-01	MSNE-2-19	3.2	1000
MSNE-4M-01	MSNE-4M-19	4.0	1000
MSNE-3-01	MSNE-3-19	4.8	1000
MSNE-6M-01	MSNE-6M-19	6.0	1000
MSNE-4-01	MSNE-4-19	6.4	1000
MSNE-5-01	MSNE-5-19	7.9	1000
MSNE-8M-01	MSNE-8M-19	8.0	1000
MSNE-6-01	MSNE-6-19	9.5	1000
MSNE-10M-01	-	10.0	1000
MSNE-12M-01	MSNE-12M-19	12.0	1000
MSNE-8-01	MSNE-8-19	12.7	1000
MSNE-10-01	MSNE-10-19	15.9	1000
MSNE-12-01	MSNE-12-19	19.1	1000
MSNE-16-01	-	25.4	1000



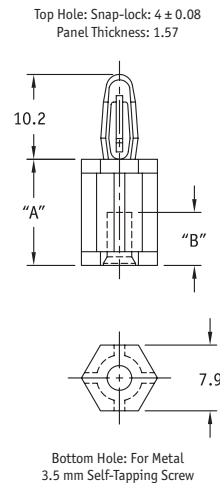
Circuit Board Support Self-Tapping

SR 2773

TCBS

Natural

Part Number		Dimension		Standard Pack Quantity
UL94 V2 Nylon 6/6, RMS-01	UL94 V0 Nylon 6/6, RMS-19	"A" Standoff Height	"B"	
TCBS-4-01	TCBS-4-19	6.4	5.2	1000
TCBS-6-01	TCBS-6-19	9.5	7.9	1000
TCBS-8-01	TCBS-8-19	12.7	7.9	1000
TCBS-10-01	TCBS-10-19	15.9	7.9	1000
TCBS-12-01	TCBS-12-19	19.1	7.9	1000
TCBS-14-01	TCBS-14-19	22.2	7.9	1000
TCBS-16-01	TCBS-16-19	25.4	7.9	1000
TCBS-18-01	TCBS-18-19	28.6	7.9	1000
TCBS-20-01	TCBS-20-19	31.7	7.9	1000
TCBS-22.5-01	TCBS-22.5-19	35.7	7.9	1000



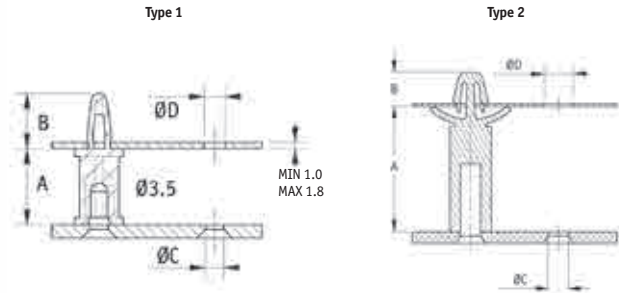
SPECIALIST SPACERS

Screw Fastened Spacer

SR6434

Natural Nylon 6.6

- Secured by a self tapping screw
- Simple Snap-in board mounting
- Available in a range of heights



Part Number	Dimensions (mm)				Type	Standard Pack Quantity
	"A" Standoff Height	B	C	D		
100206400002	6.4	9	3.5	4	1	1000
100209500002	9.5	9	3.5	4	1	1000
100212700002	12.7	9	3.5	4	1	1000
100215900002	15.9	9	3.5	4	1	1000
100219200002	19.1	9	3.5	4	1	1000
100222200002	22.2	9	3.5	4	1	1000
100225400002	25.4	9	3.5	4	1	1000
100228600002	28.6	9	3.5	4	1	1000
100209100002	9.6	8	3.5	4	2	1000
100213100002	12.7	8	3.5	4	2	1000
100219100002	19.1	8	3.5	4	2	1000
100229100002	28.5	8	3.5	4	2	1000

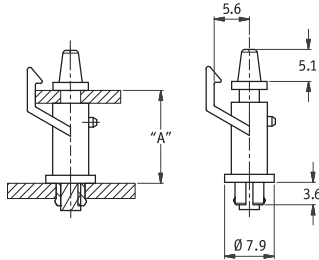
Rivet Edge Holding Support

SR 2775

REHCBS

Natural Nylon 6/6 UL-94 V-2

- Top hole is snap-lock mounted into a 4mm hole in a 1.8mm (max) thick panel
- Bottom hole is mounted into a 4.8mm hole in a 1.2-2.7mm thick panel



Installation Tool, REHCBS-T Sold Separately

Part Number	"A" Standoff Height (mm)	Standard Pack Quantity
REHCBS-4-01	6.4	1000
REHCBS-8-01	12.7	1000

PCB to Facia Panel Mounting

SR 6279

Natural Nylon 6/6 UL-94 V-2, Stainless Steel

- Lightweight
- Mounted with only a single M2.5 screw (supplied)
- Anti-rotating clip design
- Holds facia and circuit board together
- Faster to install than a conventional bracket
- M2.5 Mounting Screw Supplied
- Suitable for U style equipment cases



Part Number	Mounting Hole Diameter	Mounting Screw	Standard Pack Quantity
RPM-1	2.5	M2.5 Included	1000

QUICK, ACCURATE AND **SAFE**

Our card guides and pullers make PCB access easier, so you can avoid damage to the circuit boards, ensuring its performance.



**LOCKING CIRCUIT
BOARD GUIDE**

Page 192



**CIRCUIT BOARD
PULLER**

Page 196



**PCB INSERTER/
EXTRACTOR**

Page 199



**PCB INSERTER/
EXTRACTOR
INSTALLATION PIN**

Page 200

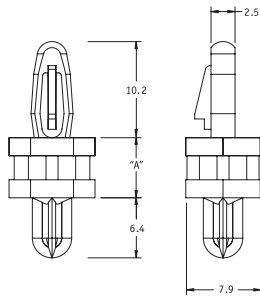
Call 0845 758 5070
www.essentracomponents.co.uk

THREADED AND NON-THREADED SPACERS

Self Threading Circuit Board Support

SCBSST

Natural UL94 V-2 Nylon 6/6, RMS-01



Top Hole: Snap-Lock: 4
Panel Thickness: 1.6

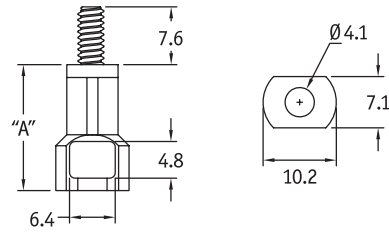
Bottom Hole: Self-Thread into a #8 or M4 Threaded Hole or Nut Panel Thickness: 1.6 Minimum

Part Number	"A" Standoff Height	Standard Pack Quantity
SCBSST-6-01	9.5	1000
SCBSST-8-01	12.7	1000
SCBSST-14-01	22.2	1000
SCBSST-18-01	28.6	1000

Snap Rivet Studded Circuit Board Support

SRSCBS

Natural



Bottom Hole: Snap Rivet: 4.1 - 4.2
Panel Thickness: See Rivet Table

Part Number				"A" Standoff Height	Standard Pack Quantity
Thread #6-32	Thread M3	Thread M4			
Nylon 6/6, RMS-01		UL94 V0 Nylon 6/6, RMS-19			
SRSCBS-6-01	SRSCBS-M3-6-01	SRSCBS-M4-6-01	SRSCBS-M4-6-19	9.5	1000
SRSCBS-7-01	SRSCBS-M3-7-01	SRSCBS-M4-7-01	SRSCBS-M4-7-19	11.1	1000
SRSCBS-8-01	SRSCBS-M3-8-01	SRSCBS-M4-8-01	SRSCBS-M4-8-19	12.7	1000
SRSCBS-10-01	-	-	SRSCBS-M4-10-19	15.9	1000
-	SRSCBS-M3-12-01	SRSCBS-M4-12-01	SRSCBS-M4-12-19	19.1	1000
-	-	SRSCBS-M4-14-01	SRSCBS-M4-14-19	22.2	1000

Rivets

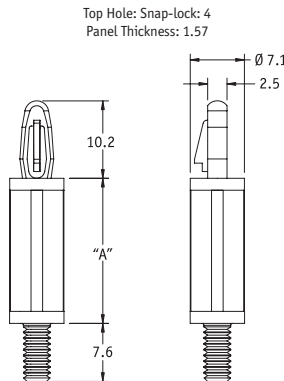
Use Rivet Part Number	For Panel Thickness	Standard Pack Quantity
SR-4050B/SR-4050W	0.7-1.6	1000
SR-4060B/SR-4060W	1.5-2.7	1000
SR-4070B/SR-4070W	2.7-3.7	1000
SR-4080B/SR-4080W	3.7-4.7	1000
SR-4090B/SR-4090W	4.7-5.7	1000
SR-4100B/SR-4100W	5.7-6.7	1000
SR-4120B/SR-4120W	7.2-8.7	1000

Locking Circuit Board Support Threaded Male

LCBS-TM

Natural

- M4 Thread



Top Hole: Snap-lock: 4
Panel Thickness: 1.57

Part Number		"A" Standoff Height	Standard Pack Quantity
Natural UL94 V2 Nylon 6/6, RMS-01	Natural UL94 V0 Nylon 6/6, RMS-19		
LCBS-TM-M4-4-01	LCBS-TM-M4-4-19	6.4	1000
LCBS-TM-M4-6-01	LCBS-TM-M4-6-19	9.5	1000
LCBS-TM-M4-8-01	LCBS-TM-M4-8-19	12.7	1000
LCBSTM-M4-10-01	LCBSTM-M4-10-19	15.9	1000
LCBSTM-M4-12-01	LCBSTM-M4-12-19	19.1	1000
LCBSTM-M4-14-01	-	22.2	1000
LCBSTM-M4-16-01	LCBSTM-M4-16-19	25.4	1000

Studded Circuit Board

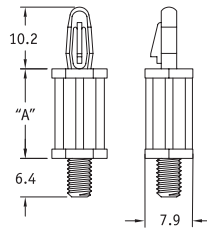
SR 2779

SCBS/SCBSM/SCBS/MSCBSM

Natural

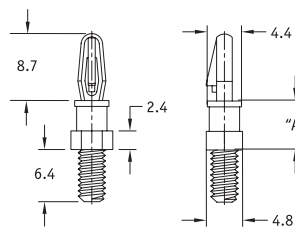
Top Hole: Snap-lock: 4 ± 0.08
Panel Thickness: 1.57

Type 1



Top Hole: Snap-lock: 3.18 ± 0.05
Panel Thickness: 1.57

Type 2



Thread: #8-32	Thread: M3		Thread: M4				"A" Standoff Height	Standard Pack Quantity
SCBS (Type 1)	MSCBSM (Type 2)		MSCBS (Type 1)		MSCBSM (Type 2)			
UL94 V2 Nylon 6/6, RMS-01	UL94 V2 Nylon 6/6, RMS-01	UL94 V0 Nylon 6/6, RMS-19	UL94 V2 Nylon 6/6, RMS-01	UL94 V0 Nylon 6/6, RMS-19	UL94 V2 Nylon 6/6, RMS-01	UL94 V0 Nylon 6/6, RMS-01	3.2	1000
-	MSCBSM-M3-2-01	MSCBSM-M3-2-19	-	-	MSCBSM-M4-2-01	-	4.8	1000
-	MSCBSM-M3-3-01	MSCBSM-M3-3-19	-	-	MSCBSM-M4-3-01	MSCBSM-M4-3-19	6.4	1000
SCBS-4-01	MSCBSM-M3-4-01	MSCBSM-M3-4-19	MSCBS-4-01	MSCBS-4-19	MSCBSM-M4-4-01	-	7.9	1000
-	MSCBSM-M3-5-01	-	-	-	MSCBSM-M4-5-01	-	9.5	1000
SCBS-6-01	MSCBSM-M3-6-01	-	MSCBS-6-01	MSCBS-6-19	MSCBSM-M4-6-01	MSCBSM-M4-6-19	11.1	1000
-	MSCBSM-M3-7-01	-	-	-	MSCBSM-M4-7-01	-	12.7	1000
SCBS-8-01	MSCBSM-M3-8-01	MSCBSM-M3-8-19	MSCBS-8-01	MSCBS-8-19	MSCBSM-M4-8-01	-	14.3	1000
-	MSCBSM-M3-9-01	-	-	-	-	MSCBSM-M4-9-19	15.9	1000
-	MSCBSM-M3-10-01	-	MSCBS-10-01	MSCBS-10-19	MSCBSM-M4-10-01	MSCBSM-M4-10-19	19.1	1000
SCBS-12-01	-	-	MSCBS-12-01	MSCBS-12-19	-	-	22.2	1000
SCBS-14-01	-	-	MSCBS-14-01	MSCBS-14-19	-	-	25.4	1000
-	-	-	MSCBS-16-01	-	-	-	28.6	1000
-	-	-	MSCBS-18-01	MSCBS-18-19	-	-	35.7	1000
-	-	-	MSCBS-22.5-01	MSCBS-22.5-19	-	-		

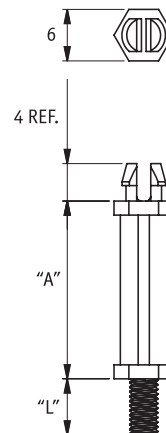
Studded Circuit Board

SR 2780

TCBNS

Black, UL94 V2 Nylon 6/6, RMS-172

Top Hole: See Table
Panel Thickness: 1.6



Part Number			"A" Standoff Height	Standard Pack Quantity
Top Hole: $\emptyset 3$ Thread: M2.5 "L" Thread Length: 6	Top Hole: $\emptyset 3$ Thread: M3 "L" Thread Length: 6	Top Hole: $\emptyset 3.8$ Thread: M4 "L" Thread Length: 8		
TCBNS-M2.5-3	TCBNS-M3-3	TCBNS-M4-3	3	1000
TCBNS-M2.5-5	TCBNS-M3-5	TCBNS-M4-5	5	1000
TCBNS-M2.5-6	TCBNS-M3-6	TCBNS-M4-6	6	1000
TCBNS-M2.5-8	TCBNS-M3-8	TCBNS-M4-8	8	1000
TCBNS-M2.5-10	TCBNS-M3-10	TCBNS-M4-10	10	1000
TCBNS-M2.5-12	TCBNS-M3-12	TCBNS-M4-12	12	1000
TCBNS-M2.5-15	TCBNS-M3-15	TCBNS-M4-15	15	1000
TCBNS-M2.5-20	TCBNS-M3-20	TCBNS-M4-20	20	1000

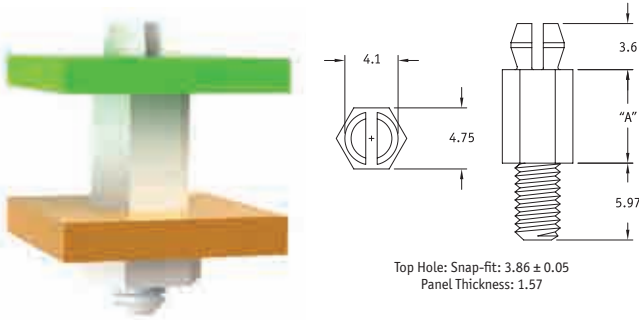
THREADED AND NON-THREADED SPACERS

Hex Mini Support Post Threaded Male

SR 2781

HMSP-TM

Natural, UL94 V2 Nylon 6/6, RMS-01



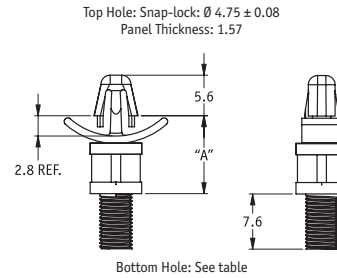
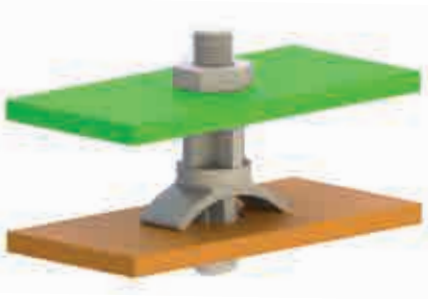
Part Number			"A" Standoff Height	Standard Pack Quantity
Thread: #6-32	Thread: M3	Thread: M4		
-	HMSP-TM-M3-2-01	HMSP-TM-M4-2-01	3.2	1000
-	HMSP-TM-M3-3-01	HMSP-TM-M4-3-01	4.8	1000
-	HMSP-TM-M3-4-01	HMSP-TM-M4-4-01	6.4	1000
HMSP-TM-6-01	HMSP-TM-M3-6-01	HMSP-TM-M4-6-01	9.5	1000
HMSP-TM-8-01	HMSP-TM-M3-8-01	HMSP-TM-M4-8-01	12.7	1000
HMSP-TM-10-01	HMSP-M3-10-01	HMSP-M4-10-01	15.9	1000
-	HMSP-M3-12-01	HMSP-M4-12-01	19.1	1000
HMSP-TM-14-01	HMSP-M3-14-01	-	22.2	1000

Threaded Circuit Board Support

SR 2782

LCCBS-TM

Natural, UL94 V2 Nylon 6/6, RMS-01



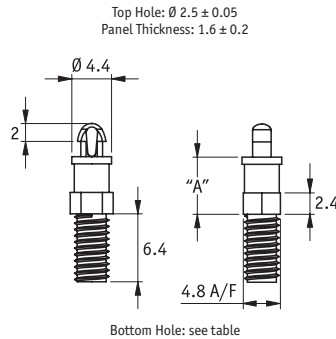
Part Number		"A" Standoff Height	Standard Pack Quantity
#6-32 Thread	M4 Thread		
LCCBS-TM-6-01	LCCBSM-M4-6-01	10.7	1000
-	LCCBSM-M4-8-01	13.9	1000
LCCBS-TM-10-01	LCCBSM-M4-10-01	17.1	1000
LCCBS-TM-12-01	LCCBSM-M4-12-01	20.2	1000
LCCBS-TM-14-01	LCCBSM-M4-14-01	23.4	1000
LCCBS-TM-16-01	-	26.6	1000

Miniature Threaded Circuit Board Support

SR 2783

MSCBST

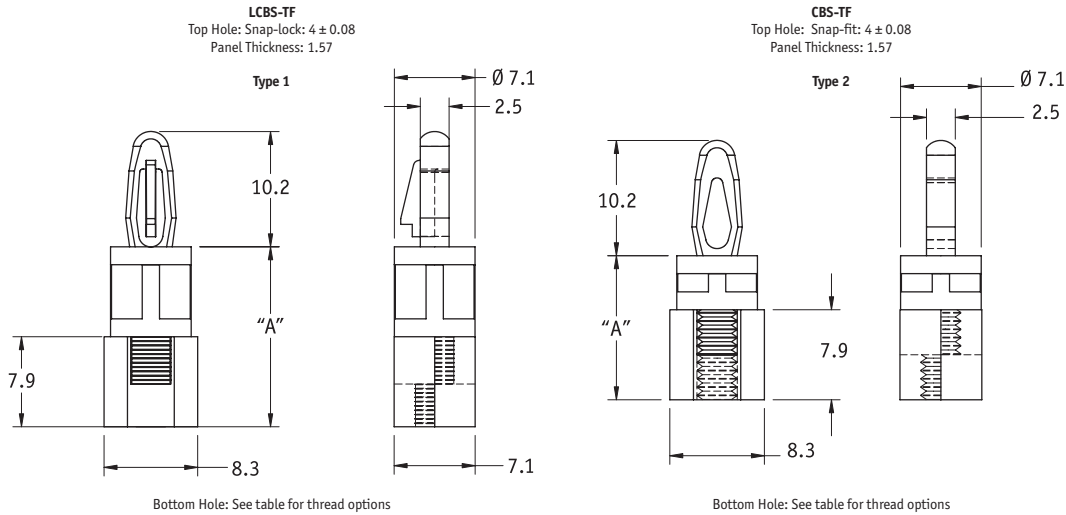
Natural, UL94 V2 Nylon 6/6, RMS-01



Part Number		"A" Standoff Height	Standard Pack Quantity
M3 Thread	M4 Thread		
MSCBST-M3-2-01	MSCBST-M4-2-01	3.2	1000
MSCBST-M3-3-01	MSCBST-M4-3-01	4.8	1000
MSCBST-M3-4-01	MSCBST-M4-4-01	6.4	1000
MSCBST-M3-5-01	-	7.9	1000
MSCBST-M3-6-01	-	9.5	1000
MSCBST-M3-7-01	MSCBST-M4-7-01	11.1	1000
MSCBST-M3-8-01	MSCBST-M4-8-01	12.7	1000
MSCBST-M3-9-01	MSCBST-M4-9-01	14.3	1000
-	MSCBST-M4-10-01	15.9	1000

Threaded Circuit Board Support

SR 2786
LCBS-TF/CBS-TF
Natural



Bottom Hole: See table for thread options

Bottom Hole: See table for thread options

Part Number						"A" Standoff Height	Standard Pack Quantity
Type 1			Type 2				
Nylon 6/6, RMS-01	Nylon 6/6, RMS-01	UL94 V0 Nylon 6/6, MS-19	Nylon 6/6, RMS-01	Nylon 6/6, RMS-01	UL94 V0 Nylon 6/6, MS-19		
Thread: #6-32	Thread: M4		Thread: #6-32	Thread: M4			
-	LCBS-TF-M4-6-01	LCBS-TF-M4-6-19	-	CBS-TF-M4-6-01	CBS-TF-M4-6-19	9.5	1000
-	LCBS-TF-M4-8-01	LCBS-TF-M4-8-19	-	CBS-TF-M4-8-01	-	12.7	1000
LCBS-TF-10-01	LCBSTF-M4-10-01	LCBSTF-M4-10-19	-	CBS-TF-M4-10-01	CBS-TF-M4-10-19	15.9	1000
LCBS-TF-12-01	LCBSTF-M4-12-01	LCBSTF-M4-12-19	-	CBS-TF-M4-12-01	-	19.1	1000
LCBS-TF-14-01	LCBSTF-M4-14-01	LCBSTF-M4-14-19	CBS-TF-14-01	CBS-TF-M4-14-01	CBS-TF-M4-14-19	22.2	1000
LCBS-TF-16-01	-	-	CBS-TF-16-01	CBS-TF-M4-16-01	CBS-TF-M4-16-19	25.4	1000

Metric Threaded Circuit Board Support

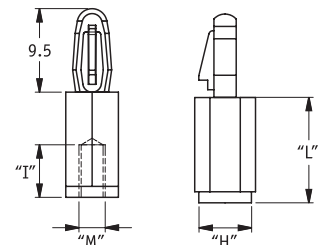
SR 2787
TCBN
Black, UL94 HB Nylon 6/6, RMS-172

Can't find the size you are looking for? Contact us!



Top Hole: Snap-lock: 4 ± 0.08
Panel Thickness: See Table for Dim.

Part Number						"L"	"I"	Standard Pack Quantity
M3 Thread			M4 Thread					
Panel Thickness = 1.6mm		Panel Thickness = 2mm		Panel Thickness = 1.6mm	Panel Thickness = 2mm			
"H" = 6mm	"H" = 8mm	"H" = 6mm	"H" = 8mm	"H" = 6mm	"H" = 8mm			
TCBN-T1-M3-6-5	TCBN-T1-M3-8-5	-	TCBN-T2-M3-8-5	TCBN-T1-M4-8-5	-	5	3	500
TCBN-T1-M3-6-6	TCBN-T1-M3-8-6	TCBN-T2-M3-6-6	TCBN-T2-M3-8-6	1306295	-	6	4	500
TCBN-T1-M3-6-7	TCBN-T1-M3-8-7	TCBN-T2-M3-6-7	TCBN-T2-M3-8-7	TCBN-T1-M4-8-7	TCBN-T2-M4-8-7	7	5	500
TCBN-T1-M3-6-8	1306292	TCBN-T2-M3-6-8	TCBN-T2-M3-8-8	TCBN-T1-M4-8-8	TCBN-T2-M4-8-8	8	6	500
TCBN-T1-M3-6-9	TCBN-T1-M3-8-9	TCBN-T2-M3-6-9	TCBN-T2-M3-8-9	TCBN-T1-M4-8-9	-	9	7	500
1306282	TCBN-T1-M3-8-10	TCBN-T2-M3-6-10	-	1306293	TCBN-T2-M4-8-10	10	8	500
TCBN-T1-M3-6-12	TCBN-T1-M3-8-12	TCBN-T2-M3-6-12	TCBN-T2-M3-8-12	552197	TCBN-T2-M4-8-12	12	10	500
1317194	TCBN-T1-M3-8-15	TCBN-T2-M3-6-15	TCBN-T2-M3-8-15	1306294	TCBN-T2-M4-8-15	15	10	500
TCBN-T1-M3-6-18	TCBN-T1-M3-8-18	TCBN-T2-M3-6-18	-	TCBN-T1-M4-8-18	TCBN-T2-M4-8-18	18	10	500
TCBN-T1-M3-6-20	TCBN-T1-M3-8-20	TCBN-T2-M3-6-20	TCBN-T2-M3-8-20	TCBN-T1-M4-8-20	TCBN-T2-M4-8-20	20	10	500
TCBN-T1-M3-6-25	-	TCBN-T2-M3-6-25	TCBN-T2-M3-8-25	TCBN-T1-M4-8-25	TCBN-T2-M4-8-25	25	10	500
TCBN-T1-M3-6-30	TCBN-T1-M3-8-30	TCBN-T2-M3-6-30	TCBN-T2-M3-8-30	1317195	TCBN-T2-M4-8-30	30	10	500
TCBN-T1-M3-6-40	TCBN-T1-M3-8-40	TCBN-T2-M3-6-40	TCBN-T2-M3-8-40	TCBN-T1-M4-8-40	TCBN-T2-M4-8-40	40	10	500
TCBN-T1-M3-6-45	TCBN-T1-M3-8-45	TCBN-T2-M3-6-45	TCBN-T2-M3-8-45	TCBN-T1-M4-8-45	TCBN-T2-M4-8-45	45	10	500
TCBN-T1-M3-6-50	TCBN-T1-M3-8-50	-	TCBN-T2-M3-8-50	TCBN-T1-M4-8-50	TCBN-T2-M4-8-50	50	10	500
TCBN-T1-M3-6-55	TCBN-T1-M3-8-55	TCBN-T2-M3-6-55	TCBN-T2-M3-8-55	-	TCBN-T2-M4-8-55	55	10	500
-	TCBN-T1-M3-8-60	TCBN-T2-M3-6-60	TCBN-T2-M3-8-60	TCBN-T1-M4-8-60	-	60	10	500



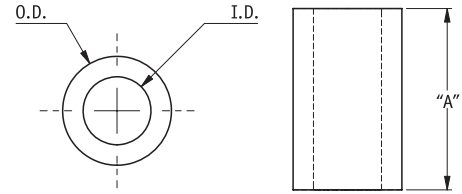
THREADED AND NON-THREADED SPACERS

Round Plastic Spacer

SR 2788

SS/SSE

Light Grey, UL94 V0 PVC, RMS-448



Can't find the size you are looking for? Contact us!

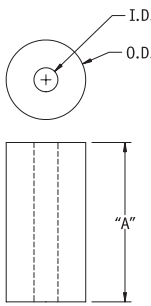
"A" Standoff Height	Part Number										Standard Pack Quantity
	For M2.5 Screw	For M3 Screw	For M4 Screw	For M4 Screw	For M5 Screw	For M6 Screw	For M9 Screw	-	-	-	
3.2	I.D.=3 O.D.=6.4	I.D.=3.7 O.D.=6.4	I.D.=4.4 O.D.=6.4	I.D.=4.4 O.D.=9.5	I.D.=5.1 O.D.=9.5	I.D.=6.8 O.D.=12.7	I.D.=10.1 O.D.=12.7	I.D.=7.5 O.D.=12	I.D.=8 O.D.=12		1000
4.8	SS4-3.2mm	SS6-3.2mm	SS8-3.2mm	SS8-3.2mmL	SS10-3.2mm	SS1/4-3.2mm	SS3/8-3.2mm	SSE-75120-3.2mm	SSE-80120-3.2mm		1000
6.4	SS4-4.8mm	SS6-4.8mm	SS8-4.8mm	SS8-4.8mmL	SS10-4.8mm	SS1/4-4.8mm	SS3/8-4.8mm	SSE-75120-4.8mm	SSE-80120-4.8mm		1000
7.9	SS4-2	SS6-2	SS8-2	SS8-2L	SS10-2	SS1/4-2	SS3/8-2	SSE-75120-2	SSE-80120-2		1000
9.5	SS4-7.9mm	SS6-7.9mm	SS8-7.9mm	SS8-7.9mmL	SS10-7.9mm	SS1/4-7.9mm	SS3/8-7.9mm	SSE-75120-7.9mm	-		1000
11.1	SS4-3	SS6-3	SS8-3	SS8-3L	SS10-3	SS1/4-3	SS3/8-3	SSE-75120-3	SSE-80120-3		1000
12.7	SS4-11.1mm	SS6-11.1mm	SS8-11.1mm	SS8-11.1mmL	SS10-11.1mm	SS1/4-11.1mm	SS3/8-11.1mm	SSE75120-11.1mm	SSE80120-11.1mm		1000
15.9	SS4-4	SS6-4	SS8-4	SS8-4L	SS10-4	SS1/4-4	SS3/8-4	SSE-75120-4	SSE-80120-4		1000
19.1	SS4-5	SS6-5	SS8-5	SS8-5L	SS10-5	SS1/4-5	SS3/8-5	SSE-75120-5	SSE-80120-5		1000
25.4	SS4-6	SS6-6	SS8-6	SS8-6L	SS10-6	SS1/4-6	SS3/8-6	SSE-75120-6	SSE-80120-6		1000
31.8	SS4-8	SS6-8	SS8-8	SS8-8L	SS10-8	SS1/4-8	SS3/8-8	SSE-75120-8	SSE-80120-8		1000
38.1	-	-	SS8-10	SS8-10L	SS10-10	SS1/4-10	SS3/8-10	SSE-75120-10	SSE-80120-10		500
	-	-	SS8-12	SS8-12L	SS10-12	SS1/4-12	SS3/8-12	SSE-75120-12	SSE-80120-12		500

Round Plastic Spacer

SR 2789

R900

White, Modified Nylon 6, RMS-60



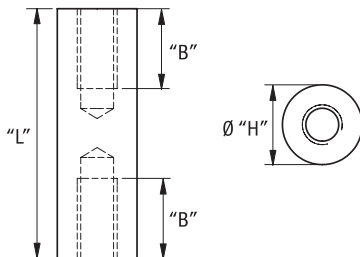
Part Number										Dimensions (mm)			Standard Pack Quantity
"A" = 1.6	"A" = 3.2	"A" = 4.8	"A" = 6.4	"A" = 7.9	"A" = 9.5	"A" = 11.1	"A" = 12.7	For Screw	I.D.	O.D.			
R901-1	R901-2	R901-3	R901-4	R901-5	R901-6	R901-7	R901-8	-	0.7	2.2	1000		
R938-1	R938-2	R938-3	R938-4	R938-5	R938-6	R938-7	R938-8	-	0.8	2.2	1000		
R902-1	R902-2	-	R902-4	R902-5	R902-6	R902-7	R902-8	-	0.8	3.2	1000		
R939-1	R939-2	R939-3	R939-4	R939-5	R939-6	-	R939-8	-	1.2	3.2	1000		
R903-1	R903-2	-	R903-4	R903-5	R903-6	R903-7	R903-8	-	1.2	4	1000		
R904-1	-	R904-3	R904-4	R904-5	R904-6	R904-7	R904-8	-	1.6	4.8	1000		
R906-1	R906-2	R906-3	R906-4	R906-5	R906-6	R906-7	R906-8	M2	2.2	3.6	1000		
R937-1	R937-2	R937-3	R937-4	R937-5	-	R937-7	R937-8	M2	2.3	3.2	1000		
R913-1	R913-2	R913-3	R913-4	R913-5	R913-6	R913-7	R913-8	M2	2.3	4.8	1000		
R907-1	R907-2	R907-3	R907-4	R907-5	R907-6	R907-7	R907-8	M2.5	2.7	4.2	1000		
R908-1	R908-2	R908-3	R908-4	R908-5	R908-6	R908-7	R908-8	M3	3.2	4.8	1000		
R911-1	R911-2	R911-3	R911-4	R911-5	R911-6	R911-7	R911-8	M3	3.2	6.4	1000		
R905-1	R905-2	R905-3	R905-4	R905-5	R905-6	R905-7	R905-8	M3.5	3.7	6.4	1000		
R912-1	R912-2	R912-3	R912-4	R912-5	R912-6	R912-7	R912-8	M4	4.3	6.4	1000		

Round Threaded Standoff

SR 2790

RTSN

Black, Nylon 6 25% Glass Filled, RMS-173



Can't find the size you are looking for? Contact us!

Part Number			Dimensions (mm)		Standard Pack Quantity
Thread M3	Thread M4		"L"	"B"	
"H" = 6	"H" = 7	"H" = 7			
RTSN-M3-5-6-1	RTSN-M3-5-7-1	RTSN-M4-5-7-1	5	Through	500
RTSN-M3-8-6-1	RTSN-M3-8-7-1	RTSN-M4-8-7-1	8	Through	500
RTSN-M3-10-6-1	RTSN-M3-10-7-1	RTSN-M4-10-7-1	10	Through	500
RTSN-M3-12-6-1	RTSN-M3-12-7-1	RTSN-M4-12-7-1	12	Through	500
RTSN-M3-15-6-1	RTSN-M3-15-7-1	RTSN-M4-15-7-1	15	Through	500
RTSN-M3-18-6-1	RTSN-M3-18-7-1	RTSN-M4-18-7-1	18	10 Min	500
RTSN-M3-20-6-1	RTSN-M3-20-7-1	RTSN-M4-20-7-1	20	10 Min	500
RTSN-M3-25-6-1	-	RTSN-M4-25-7-1	25	10 Min	500
-	RTSN-M3-30-7-1	RTSN-M4-30-7-1	30	10 Min	500
RTSN-M3-35-6-1	RTSN-M3-35-7-1	RTSN-M4-35-7-1	35	10 Min	500
RTSN-M3-40-6-1	RTSN-M3-40-7-1	RTSN-M4-40-7-1	40	10 Min	500

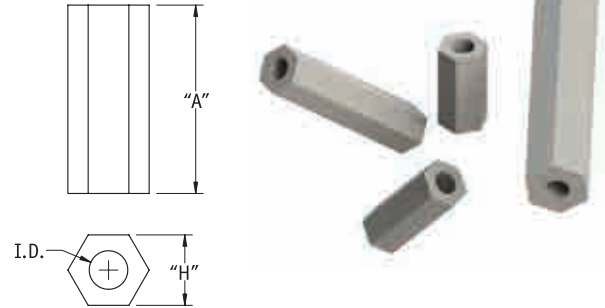
Hex Plastic Spacers

SR 2791

HS

Light Grey, UL94 V0 PVC, RMS-448

Part Number			"A" Standoff Height	Standard Pack Quantity
For #4 Self Tapping Screw	For #6 Self Tapping Screw	For #8 Self Tapping Screw		
"I.D." = 2.6 "H" = 4.8	"I.D." = 2.8 "H" = 6.4	"I.D." = 3.6 "H" = 9.5		
HS-4-3	HS-6-3	-	9.5	1000
HS-4-4	HS-6-4	-	12.7	1000
HS-4-5	HS-6-5	HS-8-5	15.9	1000
HS-4-6	HS-6-6	HS-8-6	19.1	1000
HS-4-7	HS-6-7	HS-8-7	22.2	1000
HS-4-8	HS-6-8	HS-8-8	25.4	1000
HS-4-10	HS-6-10	HS-8-10	31.8	500
HS-4-12	-	HS-8-12	38.1	500
HS-4-14	HS-6-14	HS-8-14	44.5	500
-	HS-6-16	HS-8-16	50.8	500
HS-4-24	-	HS-8-24	76.2	500



Round Plastic Spacers

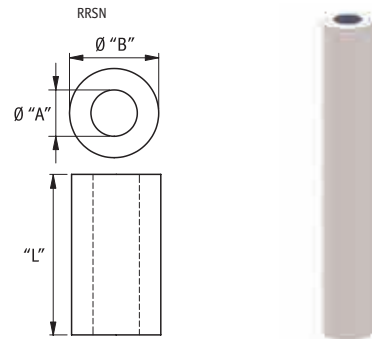
SR 2792

RRSN

White, Polystyrene, RMS-163

Black, UL94 HB Nylon 6 25% Glass Filled, RMS-173

Can't find the size you are looking for? Contact us!



Part Number (White)								Dimensions (mm)	Standard Pack Quantity
A = 2.7	A = 3.2	A = 3.5	A = 4.2	A = 4.5	A = 5.2	A = 6.2	A = 8.2		
B = 5	B = 6	B = 6	B = 8	B = 7	B = 10	B = 10	B = 10	L	
RRSN-2750-02	RRSN-3260-02	RRSN-3460-02	RRSN-4280-02	RRSN-4570-02	RRSN-52100-02	RRSN-62100-02	RRSN-82100-02	2	500
1306283	RRSN-3260-03	RRSN-3460-03	RRSN-4280-03	-	RRSN-52100-03	RRSN-62100-03	RRSN-82100-03	3	500
1306284	RRSN-3260-05	1306286	1306287	RRSN-4570-05	RRSN-52100-05	RRSN-62100-05	RRSN-82100-05	5	500
RRSN-2750-08	RRSN-3260-08	RRSN-3460-08	1306289	RRSN-4570-08	RRSN-52100-08	RRSN-62100-08	RRSN-82100-08	8	500
RRSN-2750-10	RRSN-3260-10	RRSN-3460-10	1306290	RRSN-4570-10	RRSN-52100-10	RRSN-62100-10	RRSN-82100-10	10	500
RRSN-2750-12	RRSN-3260-12	RRSN-3460-12	RRSN-4280-12	RRSN-4570-12	RRSN-52100-12	RRSN-62100-12	RRSN-82100-12	12	500
RRSN-2750-15	RRSN-3260-15	RRSN-3460-15	RRSN-4280-15	RRSN-4570-15	RRSN-52100-15	RRSN-62100-15	RRSN-82100-15	15	500
RRSN-2750-18	RRSN-3260-18	RRSN-3460-18	RRSN-4280-18	RRSN-4570-18	RRSN-52100-18	RRSN-62100-18	RRSN-82100-18	18	500
-	RRSN-3260-20	-	RRSN-4280-20	RRSN-4570-20	RRSN-52100-20	RRSN-62100-20	RRSN-82100-20	20	500
-	RRSN-3260-25	RRSN-3460-25	RRSN-4280-25	RRSN-4570-25	RRSN-52100-25	RRSN-62100-25	RRSN-82100-25	25	500
-	RRSN-3260-30	RRSN-3460-30	RRSN-4280-30	RRSN-4570-30	RRSN-52100-30	1306291	RRSN-82100-30	30	500
-	-	-	RRSN-4280-35	-	RRSN-52100-35	RRSN-62100-35	RRSN-82100-35	35	500
-	-	-	-	-	-	RRSN-62100-40	RRSN-82100-40	40	500

Part Number (Black)								Dimensions (mm)	Standard Pack Quantity
A = 2.7	A = 3.2	A = 3.5	A = 4.2	A = 4.5	A = 5.2	A = 6.2	A = 8.2		
B = 5	B = 6	B = 6	B = 8	B = 7	B = 10	B = 10	B = 10	L	
RRSN-2750-02-GF	RRSN-3260-02-GF	RRSN-3460-02-GF	RRSN-4280-02-GF	RRSN-4570-02-GF	RRSN-52100-02GF	RRSN-62100-02GF	RRSN-82100-02GF	2	500
552221	1306285	1306288	RRSN-4280-03-GF	RRSN-4570-03-GF	RRSN-52100-03GF	RRSN-62100-03GF	RRSN-82100-03GF	3	500
RRSN-2750-05-GF	RRSN-3260-05-GF	RRSN-3460-05-GF	1306288	RRSN-4570-05-GF	RRSN-52100-05GF	RRSN-62100-05GF	RRSN-82100-05GF	5	500
-	RRSN-3260-08-GF	RRSN-3460-08-GF	RRSN-4280-08-GF	RRSN-4570-08-GF	RRSN-52100-08GF	RRSN-62100-08GF	RRSN-82100-08GF	8	500
RRSN-2750-10-GF	RRSN-3260-10-GF	RRSN-3460-10-GF	552219	RRSN-4570-10-GF	RRSN-52100-10GF	RRSN-62100-10GF	RRSN-82100-10GF	10	500
RRSN-2750-12-GF	RRSN-3260-12-GF	552218	RRSN-4280-12-GF	RRSN-4570-12-GF	RRSN-52100-12GF	RRSN-62100-12GF	RRSN-82100-12GF	12	500
RRSN-2750-15-GF	RRSN-3260-15-GF	RRSN-3460-15-GF	RRSN-4280-15-GF	RRSN-4570-15-GF	RRSN-52100-15GF	RRSN-62100-15GF	RRSN-82100-15GF	15	500
RRSN-2750-18-GF	RRSN-3260-18-GF	RRSN-3460-18-GF	RRSN-4280-18-GF	RRSN-4570-18-GF	RRSN-52100-18GF	RRSN-62100-18GF	RRSN-82100-18GF	18	500
-	RRSN-3260-20-GF	RRSN-3460-20-GF	RRSN-4280-20-GF	RRSN-4570-20-GF	RRSN-52100-20GF	RRSN-62100-20GF	RRSN-82100-20GF	20	500
-	RRSN-3260-25-GF	RRSN-3460-25-GF	RRSN-4280-25-GF	-	RRSN-52100-25GF	RRSN-62100-25GF	RRSN-82100-25GF	25	500
-	RRSN-3260-30-GF	RRSN-3460-30-GF	RRSN-4280-30-GF	RRSN-4570-30-GF	RRSN-52100-30GF	RRSN-62100-30GF	RRSN-82100-30GF	30	500
-	-	-	RRSN-4280-35-GF	RRSN-4570-35-GF	RRSN-52100-35-G	RRSN-62100-35GF	-	35	500
-	-	-	-	-	-	RRSN-62100-40GF	RRSN-82100-40GF	40	500

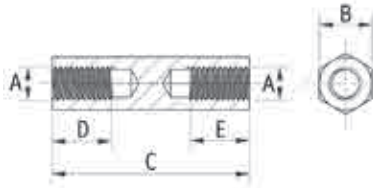
THREADED AND NON-THREADED SPACERS

Hexagonal F/F spacer

SR 6437

PPS Black

- Suitable for any application
- Resistance up to 200°C
- Thread hole in M2.5, M3, M4 and M5 dimensions



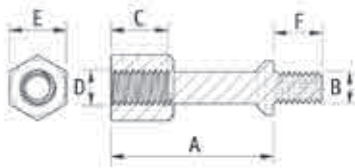
Part Number	Dimensions					Standard Pack Quantity
	A	B	C	D	E	
301205059934	M2.5	5	5	2.5	2.5	1000
301208059934	M2.5	5	8	4	4	1000
301210059934	M2.5	5	10	5	5	1000
301212059934	M2.5	5	12	6	6	1000
301215059934	M2.5	5	15	7.5	7.5	1000
301220059934	M2.5	5	20	8	8	1000
301225059934	M2.5	5	25	8	8	1000
301308059934	M3	5	8	4	4	1000
301310059934	M3	5	10	5	5	1000
301312059934	M3	5	12	6	6	1000
301315059934	M3	5	15	7.5	7.5	1000
301320059934	M3	5	20	10	10	1000
301325059934	M3	5	25	12.5	12.5	1000
301408059934	M4	7	8	4	4	1000
301410059934	M4	7	10	5	5	1000
301412059934	M4	7	12	6	6	1000
301415059934	M4	7	15	7.5	7.5	1000
301420059934	M4	7	20	10	10	1000
301425059934	M4	7	25	12.5	12.5	1000
301510059934	M5	8	10	5	5	1000
301512059934	M5	8	12	6	6	1000
301515059934	M5	8	15	7.5	7.5	1000
301520059934	M5	8	20	10	10	1000
301525059934	M5	8	25	10	10	1000

M/F Threaded Spacer

SR 6430

Natural nylon-6 (PA-6) and 30% glass fibre

- May be combined with SR 6429
- Applicable for stacking PC boards

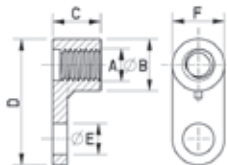


Part Number	Dimensions						Standard Pack Quantity
	A	B	C	D	E	F	
138005000016	10	M3	5.5	M3	5.5	5	1000
138006000016	15	M3	5.5	M3	5.5	5	1000
138007000016	20	M3	5.5	M3	5.5	5	1000
138008000016	25	M3	5.5	M3	5.5	5	1000
138009000016	30	M3	5.5	M3	5.5	5	1000
138010000016	10	M4	6.5	M4	7	6	1000
138015000016	15	M4	6.5	M4	7	6	1000
138020000016	20	M4	6.5	M4	7	6	1000
138025000016	25	M4	6.5	M4	7	6	1000
138030000016	30	M4	6.5	M4	7	6	1000

Pre-mounting Foot

SR 6429

Natural nylon-6 (PA-6) and 30% glass fibre



Part Number	Dimensions						Standard Pack Quantity
	A	B	C	D	E	F	
139003000016	M3	7	6.5	17	4	7	1000
139004000016	M4	7	6.5	17	4	7	1000

Screw Mount Locking Circuit Board Support

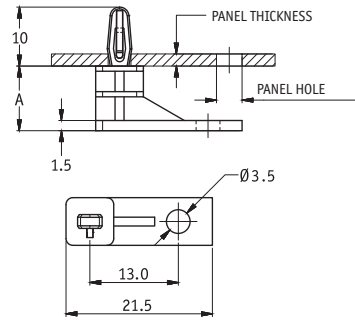
SR 2793

LCBS-L

Natural, UL94 V-2 Nylon 6/6

- Installed with an M3 screw or rivet
- Offset style allows dense packaging
- Top hole mounts into a 3.2mm hole in a 1.57mm thick panel

Part Number	"A" Standoff Height (mm)	Standard Pack Quantity
LCBS-L-5-01	7.6	1000
LCBS-L-6-01	9.5	1000
LCBS-L-7-01	11.1	1000
LCBS-L-8-01	12.7	1000
LCBS-L-9-01	14.3	1000
LCBS-L-10-01	15.9	1000



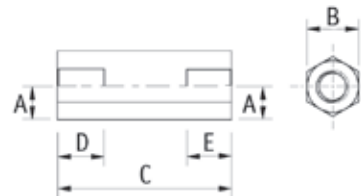
PEEK Hexagonal F/F Spacer

SR 6436

PEEK

Colour: Light Brown

- Heat resistant up to 180°C
- Excellent mechanical strength and stiffness
- Excellent resistance to alternating tensile and bending loads
- Excellent dimensional stability
- Flame resistance: UL94 V0



Part Number	Dimensions					Standard Pack Quantity
	A	B	C	D	E	
186304070409	M3	6	4	2	2	10
186305070409	M3	6	5	2.5	2.5	10
186306070409	M3	6	6	3	3	10
186308070409	M3	6	8	4	4	10
186301070409	M3	6	10	5	5	10
186301270409	M3	6	12	6	6	10
186301570409	M3	6	15	7.5	7.5	10
186301870409	M3	6	18	9	9	10
186302070409	M3	6	20	10	10	10
186302570409	M3	6	25	10	10	10
186303070409	M3	6	30	10	10	10
186405070409	M4	7	5	2.5	7.5	10
186406070409	M4	7	6	3	3	10
186408070409	M4	7	8	4	4	10
186401070409	M4	7	10	5	5	10
186401270409	M4	7	12	6	6	10
186401570409	M4	7	15	7.5	7.5	10

Part Number	Dimensions					Standard Pack Quantity
	A	B	C	D	E	
186401870409	M4	7	18	9	9	10
186402070409	M4	7	20	10	10	10
186402570409	M4	7	25	10	10	10
186403070409	M4	7	30	10	10	10
186403570409	M4	7	35	10	10	10
186506070409	M5	8	6	3	3	10
186508070409	M5	8	8	4	4	10
186501070409	M5	8	10	5	5	10
186501270409	M5	8	12	6	6	10
186501570409	M5	8	15	7.5	7.5	10
186501870409	M5	8	18	9	9	10
186502070409	M5	8	20	10	10	10
186502570409	M5	8	25	10	10	10
186503070409	M5	8	30	10	10	10
186503570409	M5	8	35	10	10	10
186504070409	M5	8	40	10	10	10

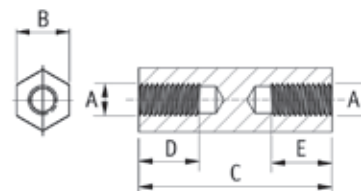
Nylon Hex FF spacer

SR 6435

Natural Nylon

- For use in electronic appliances

Part Number	Dimensions					Standard Pack Quantity
	A	B	C	D	E	
303010000002	M3	5.7	6	3	3	1000
303020000002	M3	5.7	8	4	4	1000
303030000002	M3	5.7	10	5	5	1000
303040000002	M3	5.7	12.7	6	6	1000
303050000002	M3	5.7	15	7.5	7.5	1000
303060000002	M3	5.7	18	9	9	1000
303070000002	M3	5.7	20	10	10	1000
303080000002	M3	5.7	22	10	10	1000
303090000002	M3	5.7	25	10	10	1000
303100000002	M3	5.7	30	10	10	1000



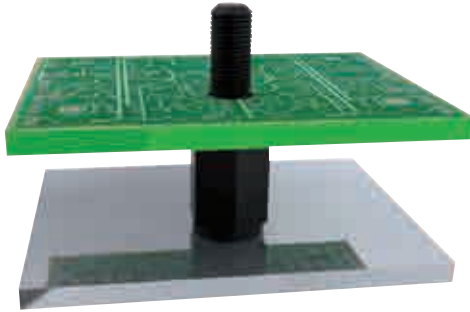
THREADED AND NON-THREADED SPACERS

Hex Threaded Standoff

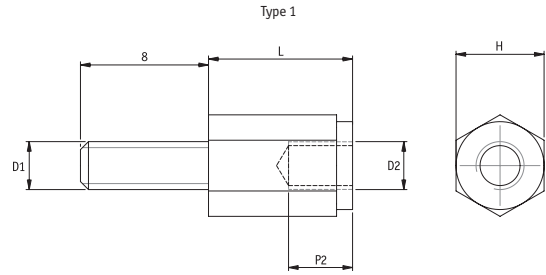
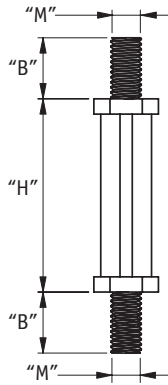
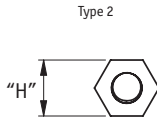
SR 2794

HTSN-2/HNSM-2/HTSN-3

Black, Nylon 6/6, RMS-172



Can't find the size you are looking for? Contact us!



Type 1 Female/Male

Part Number	Thread "D1 & D2"	Dimensions (mm)			Standard Pack Quantity
		"L"	"H"	"P2"	
HNSM2.5-5-5-2	M2.5	5	5	3	500
1317188	M2.5	8	5	5	500
HNSM2.5-10-5-2	M2.5	10	5	8	500
HNSM2.5-15-5-2	M2.5	15	5	10	500
HNSM2.5-18-5-2	M2.5	18	5	10	500
HNSM2.5-20-5-2	M2.5	20	5	10	500
HNSM2.5-25-5-2	M2.5	25	5	10	500
HTSN-M3-5-5-5-2	M3	5	5.5	3	500
HTSN-M3-8-5-5-2	M3	8	5.5	5	500
HNSM3-10-5-5-2	M3	10	5.5	8	500
HNSM3-12-5-5-2	M3	12	5.5	9	500
HNSM3-15-5-5-2	M3	15	5.5	10	500
HNSM3-18-5-5-2	M3	18	5.5	10	500
HNSM3-20-5-5-2	M3	20	5.5	10	500
HNSM3-25-5-5-2	M3	25	5.5	10	500
HNSM3-30-5-5-2	M3	30	5.5	10	500
HNSM3-35-5-5-2	M3	35	5.5	10	500
HTSN-M3-5-6-2	M3	5	6	3	500
552198	M3	8	6	5	500
552191	M3	10	6	8	500
552201	M3	12	6	9	500
552211	M3	15	6	10	500
1317189	M3	18	6	10	500
552214	M3	20	6	10	500
HTSN-M3-25-6-2	M3	25	6	10	500
1317190	M3	30	6	10	500
HTSN-M3-35-6-2	M3	35	6	10	500
HTSN-M3-8-8-2	M3	8	8	5	500
HTSN-M3-10-8-2	M3	10	8	8	500
HTSN-M3-12-8-2	M3	12	8	9	500
HTSN-M3-15-8-2	M3	15	8	10	500
HTSN-M3-20-8-2	M3	20	8	10	500
HTSN-M3-25-8-2	M3	25	8	10	500
HTSN-M3-30-8-2	M3	30	8	10	500
HTSN-M3-35-8-2	M3	35	8	10	500
HTSN-M4-5-8-2	M4	5	8	3	500
1306280	M4	8	8	5	500
552192	M4	10	8	8	500
552209	M4	12	8	9	500
552199	M4	15	8	10	500
HTSN-M4-18-8-2	M4	18	8	10	500
1306279	M4	20	8	10	500
552195	M4	25	8	10	500
552194	M4	30	8	10	500
1317191	M4	35	8	10	500
522210	M4	40	8	10	500
1306281	M5	10	10	8	500
HTSN-M5-12-10-2	M5	12	10	9	500
HTSN-M5-15-10-2	M5	15	10	10	500
HTSN-M5-18-10-2	M5	18	10	10	500
HTSN-M5-20-10-2	M5	20	10	10	500
HTSN-M5-25-10-2	M5	25	10	10	500
HTSN-M5-30-10-2	M5	30	10	10	500
HTSN-M5-35-10-2	M5	35	10	10	500
1317192	M5	40	10	10	500

Type 2 Male/Male

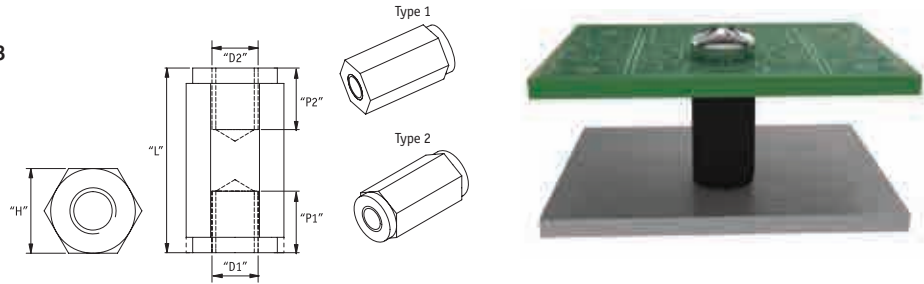
Part Number	Thread "M"	Dimensions (mm)			Standard Pack Quantity
		"L"	"H"	"B"	
HTSN-M2.5-5-3	M2.5	5	5	6	500
HTSN-M2.5-10-3	M2.5	10	5	6	500
HTSN-M2.5-12-3	M2.5	12	5	6	500
HTSN-M2.5-15-3	M2.5	15	5	6	500
HTSN-M2.5-18-3	M2.5	18	5	6	500
HTSN-M2.5-20-3	M2.5	20	5	6	500
HTSN-M2.5-25-3	M2.5	25	5	6	500
HTSN-M3-5-3	M3	5	6	6	500
HTSN-M3-8-3	M3	8	6	6	500
HTSN-M3-10-3	M3	10	6	6	500
HTSN-M3-12-3	M3	12	6	6	500
HTSN-M3-15-3	M3	15	6	6	500
HTSN-M3-18-3	M3	18	6	6	500
HTSN-M3-20-3	M3	20	6	6	500
HTSN-M3-25-3	M3	25	6	6	500
HTSN-M3-30-3	M3	30	6	6	500
HTSN-M3-35-3	M3	35	6	6	500
HTSN-M4-5-3	M4	5	6	6.4	500
HTSN-M4-8-3	M4	8	6	6.4	500
HTSN-M4-12-3	M4	12	6	6.4	500
HTSN-M4-15-3	M4	15	6	6.4	500
HTSN-M4-18-3	M4	18	6	6.4	500
HTSN-M4-20-3	M4	20	6	6.4	500
HTSN-M4-25-3	M4	25	6	6.4	500
HTSN-M4-30-3	M4	30	6	6.4	500
HTSN-M4-35-3	M4	35	6	6.4	500
HTSN-M4-40-3	M4	40	6	6.4	500

Hex Threaded Standoff Female/Female

SR 2795

HTSN-1/HNSM-1

Black, Nylon 6 25% Glass Filled, RMS-173



Part Number	Thread	Dimensions (mm)			Type	Standard Pack Quantity
		"L"	"H"	"P1"/"P2"		
HTSN-M2-8-5-1	M2	8	5	Through	2	500
HTSN-M2-12-5-1	M2	12	5	10	2	500
HTSN-M2-15-5-1	M2	15	5	10	2	500
HTSN-M2-18-5-1	M2	18	5	10	2	500
HTSN-M2-20-5-1	M2	20	5	10	2	500
HTSN-M2.5-5-5-1	M2.5	5	5	Through	2	500
HTSN-M2.5-8-5-1	M2.5	8	5	Through	2	500
552200	M2.5	10	5	Through	2	500
552215	M2.5	12	5	10	2	500
HNSM2.5-15-5-1	M2.5	15	5	10	2	500
HNSM2.5-18-5-1	M2.5	18	5	10	2	500
HNSM2.5-20-5-1	M2.5	20	5	10	2	500
552222	M2.5	25	5	10	2	500
HTSN-M3-5-5-5-1	M3	5	5.5	Through	1	500
HTSN-M3-8-5-5-1	M3	8	5.5	Through	1	500
HNSM3-10-5-5-1	M3	10	5.5	Through	1	500
HNSM3-12-5-5-1	M3	12	5.5	10	1	500
HNSM3-15-5-5-1	M3	15	5.5	10	1	500
HNSM3-18-5-5-1	M3	18	5.5	10	1	500
HNSM3-20-5-5-1	M3	20	5.5	10	1	500
HNSM3-25-5-5-1	M3	25	5.5	10	1	500
HNSM3-30-5-5-1	M3	30	5.5	10	1	500
HNSM3-35-5-5-1	M3	35	5.5	10	1	500
HTSN-M3-5-6-1	M3	5	6	Through	2	500
552206	M3	10	6	Through	2	500
552190	M3	12	6	Through	2	500
552196	M3	15	6	Through	2	500
552204	M3	18	6	10	2	500
552216	M3	25	6	10	2	500
HTSN-M3-35-6-1	M3	35	6	10	2	500
HTSN-M3-5-7-1	M3	5	7	Through	2	500
HTSN-M3-10-7-1	M3	10	7	Through	2	500
HTSN-M3-12-7-1	M3	12	7	Through	2	500
HTSN-M3-15-7-1	M3	15	7	Through	2	500
HTSN-M3-18-7-1	M3	18	7	10	2	500
HTSN-M3-20-7-1	M3	20	7	10	2	500

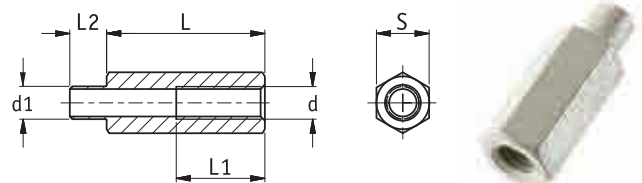
Part Number	Thread	Dimensions (mm)			Type	Standard Pack Quantity
		"L"	"H"	"P1"/"P2"		
HTSN-M3-25-7-1	M3	25	7	10	2	500
HTSN-M3-30-7-1	M3	30	7	10	2	500
HTSN-M3-5-8-1	M3	5	8	Through	2	500
HTSN-M3-8-8-1	M3	8	8	Through	2	500
HTSN-M3-10-8-1	M3	10	8	Through	2	500
HTSN-M3-12-8-1	M3	12	8	Through	2	500
HTSN-M3-15-8-1	M3	15	8	Through	2	500
HTSN-M3-20-8-1	M3	20	8	10	2	500
HTSN-M3-25-8-1	M3	25	8	10	2	500
HTSN-M3-30-8-1	M3	30	8	10	2	500
HTSN-M3-35-8-1	M3	35	8	10	2	500
HTSN-M4-5-8-1	M4	5	8	Through	2	500
HTSN-M4-8-8-1	M4	8	8	Through	2	500
552205	M4	15	8	Through	2	500
552203	M4	20	8	Through	2	500
552207	M4	30	8	10	2	500
552208	M4	40	8	10	2	500
HTSN-M4-10-10-1	M4	10	10	Through	2	500
HTSN-M4-12-10-1	M4	12	10	Through	2	500
HTSN-M4-15-10-1	M4	15	10	Through	2	500
HTSN-M4-18-10-1	M4	18	10	Through	2	500
HTSN-M4-20-10-1	M4	20	10	Through	2	500
HTSN-M4-25-10-1	M4	25	10	10	2	500
HTSN-M4-30-10-1	M4	30	10	10	2	500
HTSN-M4-35-10-1	M4	35	10	10	2	500
HTSN-M4-40-10-1	M4	40	10	10	2	500
HTSN-M5-10-10-1	M5	10	10	Through	2	500
HTSN-M5-15-10-1	M5	15	10	Through	2	500
HTSN-M5-18-10-1	M5	18	10	Through	2	500
HTSN-M5-20-10-1	M5	20	10	Through	2	500
HTSN-M5-25-10-1	M5	25	10	10	2	500
HTSN-M5-30-10-1	M5	30	10	10	2	500
HTSN-M5-35-10-1	M5	35	10	10	2	500
HTSN-M5-40-10-1	M5	40	10	10	2	500

Soldering Spacer – Male/Female

SR 6124

Tin Plated Brass

- Designed to improve and automate fastening of metal spacers on PCB
- Low thermal inertia and tin plated finish
- Perfect electrical connection, suitable for EMC applications
- To be soldered manually or through a soldering wave

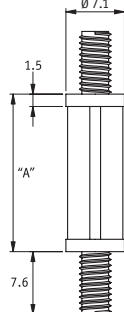
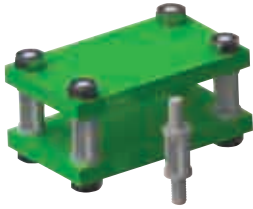


Part Number	Dimensions (mm)						Standard Pack Quantity
	d	S	L	L2	L1	d1	
314310041250	M3	5	10	3.5	6	3.1	100
314315041250	M3	5	15	3.5	8	3.1	100

THREADED AND NON-THREADED SPACERS

Circuit Board Stacking Spacer

SR 2796
CBS-TMM
UL94 V-2 Nylon 6/6, RMS-01 Natural



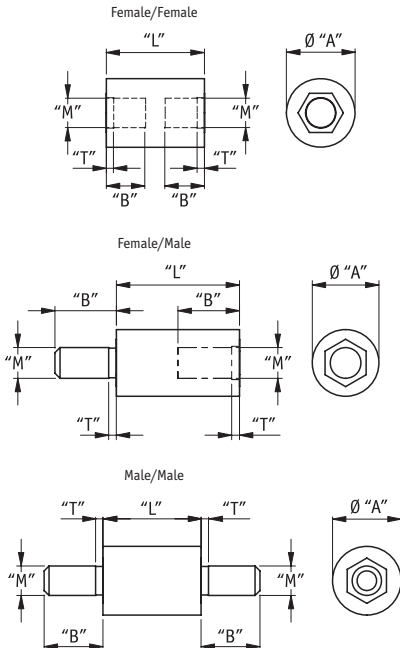
SEE TABLE FOR THREAD DETAIL AT BOTH ENDS

Can't find the size you are looking for? Contact us!

Part Number		"A" Standoff Height	Standard Pack Quantity
#6-32 Thread	M4 Thread		
CBS-TMM-4-01	CBS-TMM-M4-4-01	6.4	1000
CBS-TMM-6-01	CBS-TMM-M4-6-01	9.5	1000
CBS-TMM-8-01	CBS-TMM-M4-8-01	12.7	1000
CBS-TMM-10-01	CBSTMM-M4-10-01	15.9	1000
CBS-TMM-12-01	CBSTMM-M4-12-01	19.1	1000
-	CBSTMM-M4-14-01	22.2	1000
CBS-TMM-16-01	CBSTMM-M4-16-01	25.4	1000
CBS-TMM-20-01	-	31.7	1000
CBS-TMM-22-01	-	34.9	1000

Metric Low Voltage Insulators

SR 2797
TNM
Natural UL94 HB Nylon 6/6, RMS-133
Inserts: Brass, RMS-231
• Voltage breakdown >11,000 Volts/mm



Part Number			Thread	"A"	"B"	"T"	"L"	Standard Pack Quantity
Female/Female	Female/Male	Male/Male						
TNM2.5-6.5-10-1	TNM2.5-6.5-10-2	TNM2.5-6.5-10-3	M2.5	6.5	6	0.6	10	100
TNM2.5-6.5-15-1	-	TNM2.5-6.5-15-3	M2.5	6.5	6	0.6	15	100
TNM2.5-6.5-20-1	TNM2.5-6.5-20-2	-	M2.5	6.5	6	0.6	20	100
-	TNM2.5-6.5-25-2	TNM2.5-6.5-25-3	M2.5	6.5	6	0.6	25	100
TNM2.5-8-10-1	TNM2.5-8-10-2	TNM2.5-8-10-3	M2.5	8	6	0.68	10	100
TNM2.5-8-15-1	TNM2.5-8-15-2	TNM2.5-8-15-3	M2.5	8	6	0.68	15	100
TNM2.5-8-20-1	-	TNM2.5-8-20-3	M2.5	8	6	0.68	20	100
-	-	TNM2.5-8-25-3	M2.5	8	6	0.68	25	100
TNM3-6.5-10-1	TNM3-6.5-10-2	TNM3-6.5-10-3	M3	6.5	6	0.75	10	100
TNM3-6.5-12-1	TNM3-6.5-12-2	TNM3-6.5-12-3	M3	6.5	6	0.75	12	100
TNM3-6.5-15-1	TNM3-6.5-15-2	TNM3-6.5-15-3	M3	6.5	6	0.75	15	100
TNM3-6.5-18-1	-	TNM3-6.5-18-3	M3	6.5	6	0.75	18	100
TNM3-6.5-20-1	TNM3-6.5-20-2	-	M3	6.5	6	0.75	20	100
TNM3-6.5-25-1	TNM3-6.5-25-2	TNM3-6.5-25-3	M3	6.5	6	0.75	25	100
TNM3-6.5-30-1	TNM3-6.5-30-2	TNM3-6.5-30-3	M3	6.5	6	0.75	30	100
TNM3-6.5-40-1	TNM3-6.5-40-2	TNM3-6.5-40-3	M3	6.5	6	0.75	40	100
TNM3-6.5-45-1	TNM3-6.5-45-2	TNM3-6.5-45-3	M3	6.5	6	0.75	45	100
TNM3-8-10-1	TNM3-8-10-2	-	M3	8	6	0.75	10	100
TNM3-8-12-1	TNM3-8-12-2	TNM3-8-12-3	M3	8	6	0.75	12	100
TNM3-8-15-1	TNM3-8-15-2	-	M3	8	6	0.75	15	100
TNM3-8-18-1	TNM3-8-18-2	TNM3-8-18-3	M3	8	6	0.75	18	100
TNM3-8-20-1	TNM3-8-20-2	-	M3	8	6	0.75	20	100
-	TNM3-8-25-2	TNM3-8-25-3	M3	8	6	0.75	25	100
TNM3-8-30-1	TNM3-8-30-2	TNM3-8-30-3	M3	8	6	0.75	30	100
-	TNM3-8-40-2	TNM3-8-40-3	M3	8	6	0.75	40	100
TNM3-8-45-1	TNM3-8-45-2	TNM3-8-45-3	M3	8	6	0.75	45	100
TNM4-8-15-1	TNM4-8-15-2	-	M4	8	6	1.05	15	100
TNM4-8-18-1	TNM4-8-18-2	TNM4-8-18-3	M4	8	6	1.05	18	100
-	TNM4-8-20-2	TNM4-8-20-3	M4	8	6	1.05	20	100
TNM4-8-25-1	TNM4-8-25-2	TNM4-8-25-3	M4	8	6	1.05	25	100
TNM4-8-30-1	TNM4-8-30-2	TNM4-8-30-3	M4	8	6	1.05	30	100
TNM4-8-40-1	TNM4-8-40-2	TNM4-8-40-3	M4	8	6	1.05	40	100
TNM4-8-45-1	TNM4-8-45-2	TNM4-8-45-3	M4	8	6	1.05	45	100
TNM4-8-50-1	TNM4-8-50-2	TNM4-8-50-3	M4	8	6	1.05	50	100
TNM4-9.5-15-1	TNM4-9.5-15-2	-	M4	9.5	10	1.05	15	100
-	TNM4-9.5-18-2	TNM4-9.5-18-3	M4	9.5	10	1.05	18	100
TNM4-9.5-20-1	TNM4-9.5-20-2	-	M4	9.5	10	1.05	20	100
TNM4-9.5-25-1	TNM4-9.5-25-2	TNM4-9.5-25-3	M4	9.5	10	1.05	25	100
TNM4-9.5-30-1	TNM4-9.5-30-2	TNM4-9.5-30-3	M4	9.5	10	1.05	30	100
TNM4-9.5-40-1	TNM4-9.5-40-2	TNM4-9.5-40-3	M4	9.5	10	1.05	40	100
TNM4-9.5-45-1	TNM4-9.5-45-2	TNM4-9.5-45-3	M4	9.5	10	1.05	45	100
-	TNM4-9.5-50-2	TNM4-9.5-50-3	M4	9.5	10	1.05	50	100
TNM5-9.5-20-1	TNM5-9.5-20-2	TNM5-9.5-20-3	M5	9.5	10	1.2	20	100
TNM5-9.5-25-1	TNM5-9.5-25-2	TNM5-9.5-25-3	M5	9.5	10	1.2	25	100
TNM5-9.5-30-1	TNM5-9.5-30-2	TNM5-9.5-30-3	M5	9.5	10	1.2	30	100
TNM5-9.5-40-1	TNM5-9.5-40-2	TNM5-9.5-40-3	M5	9.5	10	1.2	40	100
TNM5-9.5-45-1	TNM5-9.5-45-2	TNM5-9.5-45-3	M5	9.5	10	1.2	45	100
TNM5-9.5-50-1	TNM5-9.5-50-2	TNM5-9.5-50-3	M5	9.5	10	1.2	50	100
TNM6-12.7-25-1	TNM6-12.7-25-2	-	M6	12.7	12.7	1.5	25	100
TNM6-12.7-30-1	TNM6-12.7-30-2	TNM6-12.7-30-3	M6	12.7	12.7	1.5	30	100
TNM6-12.7-40-1	TNM6-12.7-40-2	TNM6-12.7-40-3	M6	12.7	12.7	1.5	40	100
TNM6-12.7-45-1	TNM6-12.7-45-2	TNM6-12.7-45-3	M6	12.7	12.7	1.5	45	100
TNM6-12.7-50-1	TNM6-12.7-50-2	TNM6-12.7-50-3	M6	12.7	12.7	1.5	50	100
TNM6-12.7-55-1	TNM6-12.7-55-2	-	M6	12.7	12.7	1.5	55	100

Metric Hex Low Voltage Insulators

SR 2798

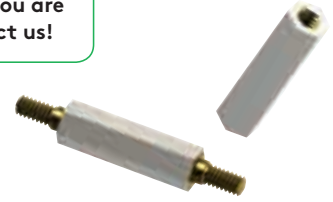
HSM

Natural Nylon 6, RMS-133

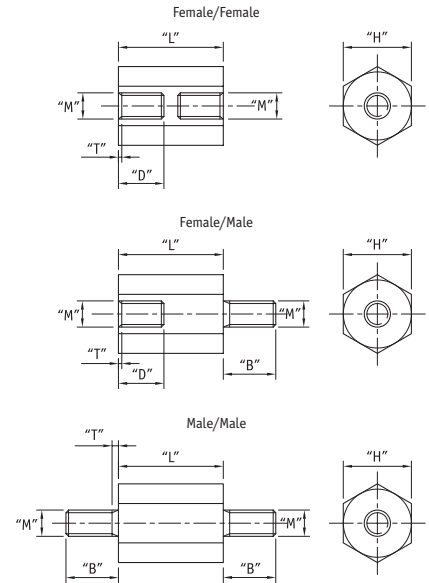
Insert: Brass, RMS-231

- Voltage breakdown >11,000 Volts/mm

Can't find the size you are looking for? Contact us!



Part Number			"M"	"H"	"B"	"D"	"T"	"L"	Standard Pack Quantity
Female/Female	Female/Male	Male/Male							
HSM2.5-6.4-15-1	HSM2.5-6.4-15-2	HSM2.5-6.4-15-3	M2.5	6.4	6	6	0.68	15	100
HSM2.5-6.4-20-1	HSM2.5-6.4-20-2	HSM2.5-6.4-20-3	M2.5	6.4	6	6	0.68	20	100
-	HSM2.5-6.4-25-2	HSM2.5-6.4-25-3	M2.5	6.4	6	6	0.68	25	100
HSM3-6.4-15-1	HSM3-6.4-15-2	HSM3-6.4-15-3	M3	6.4	6	6	0.75	15	100
HSM3-6.4-18-1	HSM3-6.4-18-2	HSM3-6.4-18-3	M3	6.4	6	6	0.75	18	100
HSM3-6.4-20-1	HSM3-6.4-20-2	HSM3-6.4-20-3	M3	6.4	6	6	0.75	20	100
HSM3-6.4-25-1	HSM3-6.4-25-2	-	M3	6.4	6	6	0.75	25	100
HSM3-6.4-30-1	HSM3-6.4-30-2	HSM3-6.4-30-3	M3	6.4	6	6	0.75	30	100
HSM3-6.4-40-1	HSM3-6.4-40-2	HSM3-6.4-40-3	M3	6.4	6	6	0.75	40	100
HSM3-6.4-45-1	HSM3-6.4-45-2	-	M3	6.4	6	6	0.75	45	100
HSM4-8-15-1	1336223	1336220	M4	8	6	6	1.05	15	100
HSM4-8-18-1	HSM4-8-18-2	HSM4-8-18-3	M4	8	6	6	1.05	18	100
HSM4-8-20-1	1336219	HSM4-8-20-3	M4	8	6	6	1.05	20	100
HSM4-8-25-1	HSM4-8-25-2	HSM4-8-25-3	M4	8	6	6	1.05	25	100
HSM4-8-30-1	1336221	HSM4-8-30-3	M4	8	6	6	1.05	30	100
HSM4-8-40-1	HSM4-8-40-2	HSM4-8-40-3	M4	8	6	6	1.05	40	100
HSM4-8-45-1	HSM4-8-45-2	-	M4	8	6	6	1.05	45	100
HSM4-8-50-1	HSM4-8-50-2	HSM4-8-50-3	M4	8	6	6	1.05	50	100
-	HSM5-9.5-20-2	HSM5-9.5-20-3	M5	9.5	10	10	1.2	20	100
-	HSM5-9.5-25-2	HSM5-9.5-25-3	M5	9.5	10	10	1.2	25	100
HSM5-9.5-30-1	HSM5-9.5-30-2	-	M5	9.5	10	10	1.2	30	100
HSM5-9.5-40-1	HSM5-9.5-40-2	-	M5	9.5	10	10	1.2	40	100
HSM5-9.5-45-1	HSM5-9.5-45-2	HSM5-9.5-45-3	M5	9.5	10	10	1.2	45	100
HSM5-9.5-50-1	1336222	HSM5-9.5-50-3	M5	9.5	10	10	1.2	50	100
HSM6-12.7-25-1	HSM6-12.7-25-2	HSM6-12.7-25-3	M6	12.7	12.7	12.7	1.5	25	100
HSM6-12.7-30-1	HSM6-12.7-30-2	HSM6-12.7-30-3	M6	12.7	12.7	12.7	1.5	30	100
HSM6-12.7-40-1	HSM6-12.7-40-2	HSM6-12.7-40-3	M6	12.7	12.7	12.7	1.5	40	100
HSM6-12.7-45-1	HSM6-12.7-45-2	HSM6-12.7-45-3	M6	12.7	12.7	12.7	1.5	45	100
HSM6-12.7-50-1	HSM6-12.7-50-2	HSM6-12.7-50-3	M6	12.7	12.7	12.7	1.5	50	100
-	HSM6-12.7-55-2	HSM6-12.7-55-3	M6	12.7	12.7	12.7	1.5	55	100



Metric Micro Low Voltage Insulators

SR 2799

MTNSP

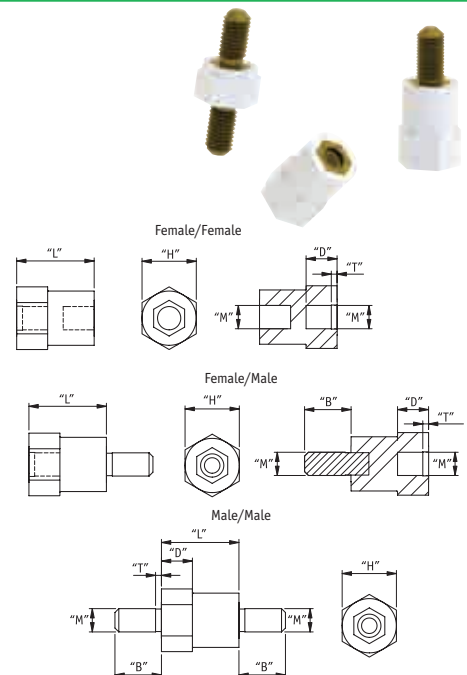
Natural Nylon 6, RMS-133

Insert: Brass, RMS-231

- Voltage breakdown >11,000 Volts/mm

Part Number	Thread Style	"M"	"L"	"H" Body Diameter	"B" Stud Length	"D" Insert Depth	"T"	Standard Pack Quantity
MTNSP-M2.5-10-1	Female/Female	M2.5	10	6	-	4	0.68	100
MTNSP-M2.5-12-1	Female/Female	M2.5	12	6	-	4	0.68	100
MTNSP-M3-10-1	Female/Female	M3	10	7	-	4	0.75	100
MTNSP-M3-12-1	Female/Female	M3	12	7	-	4	0.75	100
MTNSP-M2.5-8-2	Male/Female	M2.5	8	6	6	4	0.68	100
MTNSP-M2.5-10-2	Male/Female	M2.5	10	6	6	4	0.68	100
MTNSP-M2.5-12-2	Male/Female	M2.5	12	6	6	4	0.68	100
MTNSP-M3-8-2	Male/Female	M3	8	7	6	4	0.75	100
MTNSP-M3-10-2	Male/Female	M3	10	7	6	4	0.75	100
MTNSP-M3-12-2	Male/Female	M3	12	7	6	4	0.75	100
MTNSP-M2.5-8-3	Male/Male	M2.5	8	6	6	-	-	100
MTNSP-M2.5-10-3	Male/Male	M2.5	10	6	6	-	-	100
MTNSP-M2.5-12-3	Male/Male	M2.5	12	6	6	-	-	100
MTNSP-M3-5-3	Male/Male	M3	5	6	6	-	-	100
MTNSP-M3-8-3	Male/Male	M3	8	6	6	-	-	100
MTNSP-M3-10-3	Male/Male	M3	10	6	6	-	-	100
MTNSP-M3-12-3	Male/Male	M3	12	6	6	-	-	100

Unthreaded length: 1.5 pitch maximum

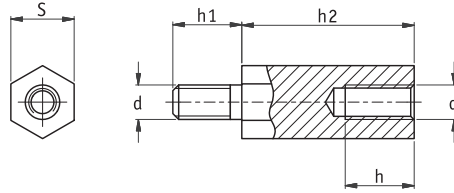


THREADED AND NON-THREADED SPACERS

Hex Spacer – Male/Female, Undercut

SR 2800

P160140



Nickel Plated Brass

Part Number	Dimensions (mm)					Standard Pack Quantity
	d	S	h2	h1	h	
1221214	M2	4	6	5	4	100
1221215	M2	4	8	5	5	100
1221216	M2	4	10	5	6	100
1221217	M2	4	12	5	6	100
1221218	M2	4	15	5	6	100
1221219	M2	4	18	5	6	100
1221220	M2	4	20	5	6	100
1221221	M2	4	25	5	6	100
1221222	M2	4	30	5	6	100
1221223	M2.5	5	6	6	3	100
1221224	M2.5	5	6	6	4	100
1221225	M2.5	5	7	6	4	100
1221226	M2.5	5	8	6	5	100
1221227	M2.5	5	10	6	6	100
1221228	M2.5	5	11	6	6	100
1221229	M2.5	5	12	6	7	100
1221230	M2.5	5	15	6	10	100
1221231	M2.5	5	18	6	10	100
1221232	M2.5	5	20	6	10	100
1221233	M2.5	5	25	6	10	100
1221234	M2.5	5	30	6	10	100
1221235	M3	5	5	8	3	100
1221236	M3	5	6	8	4	100
1221237	M3	5	7	8	4	100
1221238	M3	5	8	8	5	100
1221239	M3	5	9	8	5	100
1221240	M3	5	10	8	6	100
1221241	M3	5	11	8	6	100
1221242	M3	5	12	8	7	100
1221243	M3	5	13	8	7	100
1221244	M3	5	14	8	7	100
1221245	M3	5	15	8	10	100

Part Number	Dimensions (mm)					Standard Pack Quantity
	d	S	h2	h1	h	
1221246	M3	5	16	8	10	100
1221247	M3	5	17	8	10	100
1221248	M3	5	18	8	10	100
1221249	M3	5	20	8	10	100
1221250	M3	5	25	8	10	100
1221251	M3	5	30	8	10	100
1221252	M3	5	35	8	10	100
1221253	M3	5	40	8	10	100
1221254	M3	5	45	8	10	100
1221255	M3	5	50	8	10	100
1221256	M3	5	55	8	10	100
1221257	M3	5	60	8	10	100
1221258	M3	5.5	5	6	3	100
1221259	M3	5.5	5	8	3	100
1221260	M3	5.5	6	6	4	100
1221261	M3	5.5	6	8	4	100
1221262	M3	5.5	8	6	5	100
1221263	M3	5.5	8	8	5	100
1221264	M3	5.5	10	6	6	100
1221265	M3	5.5	10	8	6	100
1221266	M3	5.5	12	6	7	100
1221267	M3	5.5	12	8	7	100
1221268	M3	5.5	13	8	7	100
1221269	M3	5.5	15	6	10	100
1221270	M3	5.5	15	8	10	100
1221271	M3	5.5	18	6	10	100
1221272	M3	5.5	18	8	10	100
1221273	M3	5.5	20	6	10	100
1221274	M3	5.5	20	8	10	100
1221275	M3	5.5	25	6	10	100
1221276	M3	5.5	30	6	10	100

Part Number	Dimensions (mm)					Standard Pack Quantity
	d	S	h2	h1	h	
1221277	M3	5.5	35	6	10	100
1221278	M3	5.5	35	8	10	100
1221279	M3	5.5	40	6	10	100
1221280	M3	5.5	40	8	10	100
1221281	M3	5.5	50	6	10	100
1221282	M3	5.5	50	8	10	100
1221283	M3	5.5	60	8	10	100
1221284	M4	7	8	8	5	100
1221285	M4	7	10	8	6	100
1221286	M4	7	12	8	7	100
1221287	M4	7	15	8	10	100
1221288	M4	7	18	8	10	100
1221289	M4	7	20	8	10	100
1221290	M4	7	25	8	10	100
1221291	M4	7	30	8	10	100
1221292	M4	7	35	8	10	100
1221293	M4	7	40	8	10	100
1221294	M4	7	45	8	10	100
1221295	M4	7	50	8	10	100
1221296	M4	7	55	8	10	100
1221297	M4	7	60	8	10	100
1221298	M4	7	65	8	10	100
1221299	M4	7	70	8	10	100
1221300	M4	7	80	8	10	100
1221301	M5	8	10	8	6	100
1221302	M5	8	12	8	7	100
1221303	M5	8	15	8	10	100
1221304	M5	8	18	8	10	100
1221305	M5	8	20	8	10	100
1221306	M5	8	25	8	10	100
1221307	M5	8	30	8	10	100

Part Number	Dimensions (mm)					Standard Pack Quantity
	d	S	h2	h1	h	
1221308	M5	8	35	8	10	100
1221309	M5	8	40	8	10	100
1221310	M5	8	45	8	10	100
1221311	M5	8	50	8	10	100
1221312	M5	8	55	8	10	100
1221313	M5	8	60	8	10	100
1221314	M5	8	70	8	10	100
1221315	M6	10	10	10	6	100
1221316	M6	10	12	10	7	100
1221317	M6	10	15	10	10	100
1221318	M6	10	18	10	10	100
1221319	M6	10	20	10	12	100
1221320	M6	10	25	10	12	100
1221321	M6	10	30	10	12	100
1221322	M6	10	35	10	12	100
1221323	M6	10	40	10	12	100
1221324	M6	10	50	10	12	100
1221325	M6	10	60	10	12	100
1221326	M6	10	70	10	12	100
1221327	M6	10	80	10	12	100
1221328	M6	10	90	10	12	100
1221329	M8	13	15	14	10	100
1221330	M8	13	18	14	10	100
1221331	M8	13	20	14	14	100
1221332	M8	13	25	14	14	100
1221333	M8	13	30	14	14	100
1221334	M8	13	35	14	14	100
1221335	M8	13	40	14	14	100
1221336	M8	13	50	14	14	100
1221337	M8	13	60	14	14	100
1221338	M8	13	70	14	14	100

Zinc Plated Steel

Part Number	Dimensions (mm)					Standard Pack Quantity
	d	S	h2	h1	h	
1221339	M2	4	6	5	3	100
1221340	M2	4	8	5	5	100
1221341	M2	4	10	5	6	100
1221342	M2	4	12	5	6	100
1221343	M2	4	15	5	6	100
1221344	M2	4	18	5	6	100
1221345	M2	4	20	5	6	100
1221346	M2	4	25	5	6	100
1221347	M2	4	30	5	6	100
1221348	M2.5	5	6	6	3	100
1221349	M2.5	5	6	6	3	100
1221350	M2.5	5	7	6	3	100
1221351	M2.5	5	8	6	5	100
1221352	M2.5	5	10	6	6	100
1221353	M2.5	5	11	6	6	100
1221354	M2.5	5	12	6	7	100
1221355	M2.5	5	15	6	10	100
1221356	M2.5	5	18	6	10	100
1221357	M2.5	5	20	6	10	100
1221358	M2.5	5	25	6	10	100
1221359	M2.5	5	30	6	10	100
1221360	M3	5	5	6	3	100
1221361	M3	5	6	6	3	100
1221362	M3	5	7	6	3	100
1221363	M3	5	8	6	5	100
1221364	M3	5	9	6	5	100
1221365	M3	5	10	6	6	100
1221366	M3	5	11	6	6	100

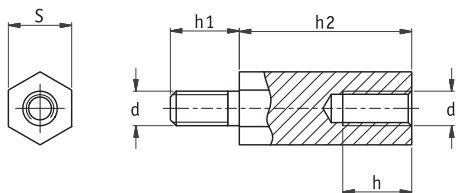
Part Number	Dimensions (mm)					Standard Pack Quantity
	d	S	h2	h1	h	
1221367	M3	5	12	6	7	100
1221368	M3	5	13	6	7	100
1221369	M3	5	14	6	7	100
1221370	M3	5	15	6	10	100
1221371	M3	5	16	6	10	100
1221372	M3	5	17	6	10	100
1221373	M3	5	18	6	10	100
1221374	M3	5	20	6	10	100
1221375	M3	5	25	6	10	100
1221376	M3	5	30	6	10	100
1221377	M3	5	35	6	10	100
1221378	M3	5	40	6	10	100
1221379	M3	5	45	6	10	100
1221380	M3	5	50	6	10	100
1221381	M3	5.5	5	6	3	100
1221382	M3	5.5	6	6	3	100
1221383	M3	5.5	8	6	5	100
1221384	M3	5.5	10	6	6	100
1221385	M3	5.5	12	6	7	100
1221386	M3	5.5	13	6	7	100
1221387	M3	5.5	15	6	10	100
1221388	M3	5.5	18	6	10	100
1221389	M3	5.5	20	6	10	100
1221390	M3	5.5	25	6	10	100
1221391	M3	5.5	30	6	10	100
1221392	M3	5.5	35	6	10	100
1221393	M3	5.5	40	6	10	100
1221394	M3	5.5	50	6	10	100

Part Number	Dimensions (mm)					Standard Pack Quantity
	d	S	h2	h1	h	
1221395	M4	7	8	8	5	100
1221396	M4	7	10	8	6	100
1221397	M4	7	12	8	7	100
1221398	M4	7	15	8	10	100
1221399	M4	7	18	8	10	100
1221400	M4	7	20	8	10	100
1221401	M4	7	25	8	10	100
1221402	M4	7	30	8	10	100
1221403	M4	7	35	8	10	100
1221404	M4	7	40	8	10	100

Hex Spacer – Male/Female, Undercut

SR 2801

P160140



Stainless Steel

Part Number	Dimensions (mm)					Standard Pack Quantity
	d	S	h2	h1	h	
1221450	M2.5	5	5	6	2.5	100
1221451	M2.5	5	6	6	4	100
1221452	M2.5	5	7	6	4	100
1221453	M2.5	5	8	6	5	100
1221454	M2.5	5	10	6	6	100
1221455	M2.5	5	11	6	6	100
1221456	M2.5	5	12	6	7	100
1221457	M2.5	5	15	6	10	100
1221458	M2.5	5	18	6	10	100
1221459	M2.5	5	20	6	10	100
1221460	M2.5	5	25	6	10	100
1221461	M2.5	5	30	6	10	100
1221462	M3	5.5	5	6	2.5	100
1221463	M3	5.5	6	6	2.5	100
1221464	M3	5.5	8	6	5	100
1221465	M3	5.5	10	6	6	100
1221466	M3	5.5	12	6	7	100
1221467	M3	5.5	15	6	7	100
1221468	M3	5.5	18	6	7	100
1221469	M3	5.5	20	6	7	100
1221470	M3	5.5	25	6	7	100
1221471	M3	5.5	30	6	7	100
1221472	M3	5.5	35	6	7	100
1221473	M3	5.5	40	6	7	100
1221474	M3	5.5	50	6	7	100
1221475	M4	7	8	8	5	100
1221476	M4	7	10	8	6	100
1221477	M4	7	12	8	8	100
1221478	M4	7	15	8	9	100
1221479	M4	7	18	8	9	100
1221480	M4	7	20	8	9	100
1221481	M4	7	25	8	9	100
1221482	M4	7	30	8	9	100
1221483	M4	7	35	8	9	100
1221484	M4	7	40	8	9	100
1221485	M4	7	45	8	9	100
1221486	M4	7	50	8	9	100
1221487	M4	7	55	8	9	100
1221488	M4	7	60	8	9	100
1221489	M4	7	65	8	9	100
1221490	M4	7	70	8	9	100
1221491	M4	7	80	8	9	100
1221492	M5	8	10	8	6	100
1221493	M5	8	12	8	8	100
1221494	M5	8	15	8	10	100
1221495	M5	8	18	8	10	100
1221496	M5	8	20	8	10	100
1221497	M5	8	25	8	10	100
1221498	M5	8	30	8	10	100
1221499	M5	8	35	8	10	100
1221500	M5	8	40	8	10	100
1221501	M5	8	45	8	10	100
1221502	M5	8	50	8	10	100
1221503	M5	8	55	8	10	100
1221504	M5	8	60	8	10	100
1221505	M5	8	70	8	10	100
1221506	M6	10	10	10	5	100
1221507	M6	10	12	10	7	100
1221508	M6	10	15	10	10	100
1221509	M6	10	18	10	12	100
1221510	M6	10	20	10	12	100
1221511	M6	10	25	10	12	100
1221512	M6	10	30	10	12	100
1221513	M6	10	35	10	12	100
1221514	M6	10	40	10	12	100
1221515	M6	10	50	10	12	100
1221516	M6	10	60	10	12	100
1221517	M6	10	70	10	12	100
1221518	M6	10	80	10	12	100
1221519	M6	10	90	10	12	100
1221520	M8	13	15	14	10	100
1221521	M8	13	18	14	12	100
1221522	M8	13	20	14	14	100
1221523	M8	13	25	14	14	100
1221524	M8	13	30	14	14	100
1221525	M8	13	35	14	14	100
1221526	M8	13	40	14	14	100
1221527	M8	13	50	14	14	100
1221528	M8	13	60	14	14	100
1221529	M8	13	70	14	14	100

Aluminium

Part Number	Dimensions (mm)					Standard Pack Quantity
	d	S	h2	h1	h	
1221530	M2.5	5	5	6	2.5	100
1221531	M2.5	5	6	6	4	100
1221532	M2.5	5	7	6	4	100
1221533	M2.5	5	8	6	5	100
1221534	M2.5	5	10	6	6	100
1221535	M2.5	5	11	6	6	100
1221536	M2.5	5	12	6	7	100
1221537	M2.5	5	15	6	10	100
1221538	M2.5	5	18	6	10	100
1221539	M2.5	5	20	6	10	100
1221540	M2.5	5	25	6	10	100
1221541	M2.5	5	30	6	10	100
1221542	M3	5.5	5	6	2.5	100
1221543	M3	5.5	6	6	2.5	100
1221544	M3	5.5	8	6	5	100
1221545	M3	5.5	10	6	6	100
1221546	M3	5.5	12	6	7	100
1221547	M3	5.5	15	6	7	100
1221548	M3	5.5	18	6	7	100
1221549	M3	5.5	20	6	7	100
1221550	M3	5.5	25	6	7	100
1221551	M3	5.5	30	6	7	100
1221552	M3	5.5	35	6	7	100
1221553	M3	5.5	40	6	7	100
1221554	M3	5.5	50	6	7	100
1221555	M3	5.5	60	6	7	100
1221556	M4	7	8	8	5	100
1221557	M4	7	10	8	6	100
1221558	M4	7	12	8	8	100
1221559	M4	7	15	8	9	100
1221560	M4	7	18	8	9	100
1221561	M4	7	20	8	9	100
1221562	M4	7	25	8	9	100
1221563	M4	7	30	8	9	100
1221564	M4	7	35	8	9	100
1221565	M4	7	40	8	9	100
1221566	M4	7	45	8	9	100
1221567	M4	7	50	8	9	100
1221568	M4	7	55	8	9	100
1221569	M4	7	60	8	9	100
1221570	M4	7	65	8	9	100
1221571	M4	7	70	8	9	100
1221572	M4	7	80	8	9	100
1221573	M5	8	10	8	6	100
1221574	M5	8	12	8	8	100
1221575	M5	8	15	8	10	100
1221576	M5	8	18	8	10	100
1221577	M5	8	20	8	10	100
1221578	M5	8	25	8	10	100
1221579	M5	8	30	8	10	100
1221580	M5	8	35	8	10	100
1221581	M5	8	40	8	10	100
1221582	M5	8	45	8	10	100
1221583	M5	8	50	8	10	100
1221584	M5	8	55	8	10	100
1221585	M5	8	60	8	10	100
1221586	M5	8	70	8	10	100
1221587	M6	10	10	10	5	100
1221588	M6	10	12	10	7	100
1221589	M6	10	15	10	10	100
1221590	M6	10	18	10	12	100
1221591	M6	10	20	10	12	100
1221592	M6	10	25	10	12	100
1221593	M6	10	30	10	12	100
1221594	M6	10	35	10	12	100
1221595	M6	10	40	10	12	100
1221596	M6	10	50	10	12	100
1221597	M6	10	60	10	12	100
1221598	M6	10	70	10	12	100
1221599	M6	10	80	10	12	100
1221600	M6	10	90	10	12	100
1221601	M8	13	15	14	10	100
1221602	M8	13	18	14	12	100
1221603	M8	13	20	14	14	100
1221604	M8	13	25	14	14	100
1221605	M8	13	30	14	14	100
1221606	M8	13	35	14	14	100
1221607	M8	13	40	14	14	100
1221608	M8	13	50	14	14	100
1221609	M8	13	60	14	14	100
1221610	M8	13	70	14	14	100

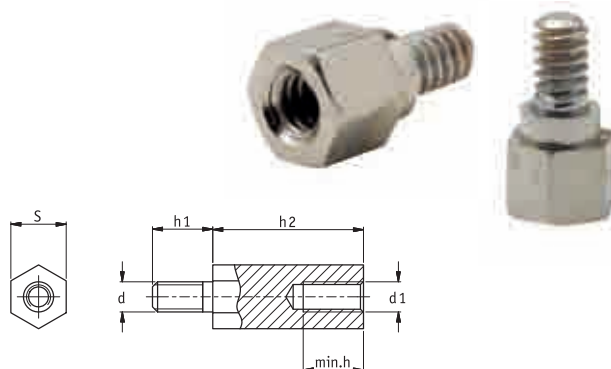
Hex Spacer – Sub-D, Undercut

SR 2802

P160140

Nickle Plated Brass

Part Number	Dimensions (mm)							Standard Pack Quantity
	d	d1	S	h1	Min.h	h2		
1221611	4NC	4NC	5	6	3	5	100	
1221612	4NC	4NC	5	8	3	5	100	
1221613	4NC	4NC	5	12	3	5	100	
1221614	4NC	M3	5	6	3	5	100	
1221615	4NC	M3	5	8	3	5	100	
1221616	M3	4NC	5	6	3	5	100	
1221617	M3	4NC	5	8	3	5	100	
1221618	M3	4NC	5	12	3	5	100	



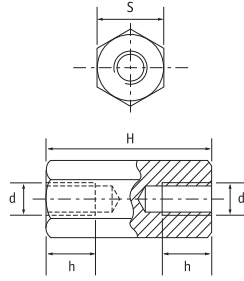
THREADED AND NON-THREADED SPACERS

Hex Spacer – Female/Female

SR 2701

Nickel Plated Brass/Zinc Plated Steel/Stainless Steel

- Screw-in design



Part Number			Dimensions (mm)				Standard Pack Quantity
Nickel Plated Brass	Zinc Plated Steel	Stainless Steel	d	S	H	h	
301105040050	301105040052	301105041556	M2	4	5	2.5	100
301108040050	-	301108041556	M2	4	8	4	100
301110040050	-	301110041556	M2	4	10	5	100
301112040050	-	301112041556	M2	4	12	6	100
301115040050	-	301115041556	M2	4	15	6	100
301118040050	-	301118041556	M2	4	18	6	100
301120040050	-	301120041556	M2	4	20	6	100
301125040050	-	-	M2	4	25	6	50
301130040050	-	-	M2	4	30	6	50
301205040050	-	301205041556	M2.5	5	5	2.5	100
301206040050	-	-	M2.5	5	6	3	100
301208040050	-	301208041556	M2.5	5	8	4	100
301210040050	-	301210041556	M2.5	5	10	5	100
301211040050	-	-	M2.5	5	11	5.5	100
301212040050	-	301212041556	M2.5	5	12	6	100
301213040050	-	-	M2.5	5	13	6.5	100
301215040050	-	301215041556	M2.5	5	15	7.5	100
301218040050	-	301218041556	M2.5	5	18	8	100
301220040050	-	301220041556	M2.5	5	20	8	100
301225040050	-	-	M2.5	5	25	8	100
301230040050	-	-	M2.5	5	30	8	100
301235040050	-	-	M2.5	5	35	8	100
301240040050	-	-	M2.5	5	40	8	100
301305040050	301305041152	-	M3	5	5	2.5	100
301306040050	301306041152	-	M3	5	6	3	100
301307040050	-	-	M3	5	7	3.5	100
301308040050	301308041152	-	M3	5	8	4	100
301309040050	301309041152	-	M3	5	9	4.5	100
301310040050	301310041152	-	M3	5	10	5	100
301311040050	-	-	M3	5	11	5.5	100
301312040050	301312041152	-	M3	5	12	6	100
301313040050	301313041152	-	M3	5	13	6.5	100
301314040050	301314041152	-	M3	5	14	7	100
301315040050	301315041152	-	M3	5	15	7.5	100
301316040050	301316041152	-	M3	5	16	8	100
301317040050	-	-	M3	5	17	8.5	100
301318040050	301318041152	-	M3	5	18	9	100
301319040050	-	-	M3	5	19	9	100
301320040050	301320041152	-	M3	5	20	9	100
301325040050	301325041152	-	M3	5	25	10	100
301330040050	301330041152	-	M3	5	30	10	100
301335040050	301335041152	-	M3	5	35	10	100
301340040050	301340041152	-	M3	5	40	10	100
301345040050	301345041152	-	M3	5	45	10	50
301350040050	301350041152	-	M3	5	50	10	50
301355040050	301355041152	-	M3	5	55	10	50
301360040050	301360041152	-	M3	5	60	10	50
301305140050	301305141152	301305141556	M3	5.5	5	2.5	100
301308140050	301308141152	301308141556	M3	5.5	8	4	100
301310140050	301310141152	301310141556	M3	5.5	10	5	100

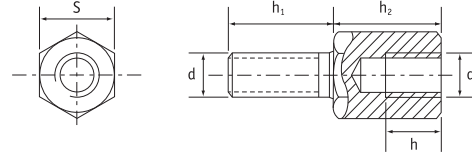
Part Number			Dimensions (mm)				Standard Pack Quantity
Nickel Plated Brass	Zinc Plated Steel	Stainless Steel	d	S	H	h	
301312140050	301312141152	-	M3	5.5	12	6	100
301315140050	301315141152	301315141556	M3	5.5	15	7.5	100
301316140050	-	-	M3	5.5	16	8	100
301318140050	301318141152	-	M3	5.5	18	9	100
301320140050	301320141152	301320141556	M3	5.5	20	9	100
301325140050	301325141152	301325141556	M3	5.5	25	10	100
301330140050	301330141152	301330141556	M3	5.5	30	10	100
301335140050	301335141152	-	M3	5.5	35	10	100
301340140050	301340141152	301340141556	M3	5.5	40	10	50
301345140050	-	-	M3	5.5	45	10	50
301350140050	301350141152	301350141556	M3	5.5	50	10	50
301360140050	301360141152	-	M3	5.5	60	10	50
-	-	301312141556	M3	5.5	12	6	50
-	-	301318141556	M3	5.5	18	9	50
301405040050	301405041152	-	M4	7	5	2.5	100
301408040050	301408041152	-	M4	7	8	4	100
-	301409041152	-	M4	7	9	4.5	100
301410040050	301410041152	301410041556	M4	7	10	5	100
301411040050	301411041152	-	M4	7	11	5.5	100
301412040050	301412041152	-	M4	7	12	6	100
301413040050	301413041152	-	M4	7	13	6.5	100
301414040050	301414041152	-	M4	7	14	7	100
301415040050	301415041152	301415041556	M4	7	15	7.5	100
301416040050	-	-	M4	7	16	8	100
301417040050	-	-	M4	7	17	8.5	100
301418040050	301418041152	-	M4	7	18	9	100
301420040050	301420041152	301420041556	M4	7	20	10	100
301425040050	301425041152	301425041556	M4	7	25	10	100
301430040050	301430041152	301430041556	M4	7	30	10	50
301435040050	301435041152	-	M4	7	35	10	50
301440040050	301440041152	301440041556	M4	7	40	10	50
301445040050	301445041152	-	M4	7	45	10	50
301450040050	301450041152	301450041556	M4	7	50	10	50
301455040050	301455041152	-	M4	7	55	10	50
301460040050	301460041152	-	M4	7	60	10	50
-	301465041152	-	M4	7	65	10	25
301470040050	301470041152	-	M4	7	70	10	25
301510040050	301510041152	301510041556	M5	8	10	5	100
301512040050	301512041152	-	M5	8	12	6	100
301515040050	301515041152	-	M5	8	15	7.5	100
-	-	301515041556	M5	8	15	7.5	50
301518040050	301518041152	-	M5	8	18	9	100
301520040050	301520041152	301520041556	M5	8	20	10	50
301525040050	301525041152	301525041556	M5	8	25	10	50
301530040050	301530041152	301530041556	M5	8	30	10	50
301535040050	301535041152	-	M5	8	35	10	50
301540040050	301540041152	301540041556	M5	8	40	10	50
301545040050	301545041152	-	M5	8	45	10	25
301550040050	301550041152	301550041556	M5	8	50	10	25
301555040050	301555041152	-	M5	8	55	10	25
301560040050	301560041152	301560041556	M5	8	60	10	25
301570040050	301570041152	-	M5	8	70	10	25
-	301610041152	-	M6	10	10	5	50
-	301615041152	-	M6	10	15	7.5	50
-	301618041152	301618041556	M6	10	18	9	50
-	301620041152	301620041556	M6	10	20	10	50
-	301625041152	301625041556	M6	10	25	12	50
-	301630041152	301630041556	M6	10	30	12	50
-	301635041152	-	M6	10	35	12	25
-	301640041152	301640041556	M6	10	40	12	25
-	301650041152	301650041556	M6	10	50	12	25
-	301655041152	-	M6	10	55	12	25
-	301660041152	301660041556	M6	10	60	12	25
-	301670041152	-	M6	10	70	12	25
-	301815041152	-	M8	13	15	7.5	10
-	301820041152	-	M8	13	20	10	10
-	301825041152	-	M8	13	25	12.5	10
-	301830041152	-	M8	13	30	15	10
-	301835041152	-	M8	13	35	15	10
-	301840041152	-	M8	13	40	15	10
-	301850041152	-	M8	13	50	15	10
-	301860041152	-	M8	13	60	15	10
-	301870041152	-	M8	13	70	15	10

Hex Spacer – Male/Female

SR 2702

Nickel Plated Brass/Zinc Plated Steel/Stainless Steel

- Screw-in design



Part Number			Dimensions					Standard Pack Quantity
Nickel Plated Brass	Zinc Plated Steel	Stainless Steel	d	S	h2	h1	h	
304105040050	-	304105041556	M2	4	5	6	3	100
304108040050	-	304108041556	M2	4	8	6	4	100
304110040050	-	304110041556	M2	4	10	6	6	100
304112040050	-	-	M2	4	12	6	6	100
304115040050	-	304115041556	M2	4	15	6	6	100
304118040050	-	-	M2	4	18	6	6	100
304120040050	-	304120041556	M2	4	20	6	6	100
304125040050	-	-	M2	4	25	6	6	50
304130040050	-	-	M2	4	30	6	6	50
304205040050	-	304205041556	M2.5	5	5	6	3	100
304206040050	-	-	M2.5	5	6	6	3	100
304207040050	-	-	M2.5	5	7	6	4	100
304208040050	-	304208041556	M2.5	5	8	6	4	100
304210040050	-	304210041556	M2.5	5	10	6	6	100
304211040050	-	-	M2.5	5	11	6	6	100
304212040050	-	304212041556	M2.5	5	12	6	6	100
304215040050	-	304215041556	M2.5	5	15	6	6	100
304218040050	-	304218041556	M2.5	5	18	6	6	100
304220040050	-	304220041556	M2.5	5	20	6	6	100
304225040050	-	-	M2.5	5	25	6	6	100
304230040050	-	-	M2.5	5	30	6	6	100
304305040050	304305041152	-	M3	5	5	8	3	100
304306040050	304306041152	-	M3	5	6	8	3	100
304307040050	304307041152	-	M3	5	7	8	4	100
304308040050	304308041152	-	M3	5	8	8	4	100
304309040050	-	-	M3	5	9	8	4	100
304310040050	304310041152	-	M3	5	10	8	6	100
304311040050	-	-	M3	5	11	8	6	100
304312040050	304312041152	-	M3	5	12	8	8	100
304313040050	-	-	M3	5	13	8	8	100
304314040050	-	-	M3	5	14	8	8	100
304315040050	304315041152	-	M3	5	15	8	8	100
304316040050	-	-	M3	5	16	8	8	100
304317040050	-	-	M3	5	17	8	8	100
304318040050	304318041152	-	M3	5	18	8	8	100
304320040050	304320041152	-	M3	5	20	8	8	100
304325040050	304325041152	-	M3	5	25	10	10	100
304330040050	304330041152	-	M3	5	30	10	10	100
304335040050	304335041152	-	M3	5	35	10	10	100
304340040050	304340041152	-	M3	5	40	10	10	50
304345040050	304345041152	-	M3	5	45	10	10	50
304350040050	304350041152	-	M3	5	50	10	10	50
304355040050	-	-	M3	5	55	10	10	50
304360040050	304360041152	-	M3	5	60	10	10	50
304305240050	-	-	M3	5.5	5	6	3	100
304305140050	304305141152	304305141556	M3	5.5	5	8	3	100
304306240050	-	-	M3	5.5	6	6	3	100
304306140050	-	-	M3	5.5	6	8	3	100
304308240050	-	-	M3	5.5	8	6	4	100
304308140050	304308141152	304308141556	M3	5.5	8	8	4	100
304310240050	-	-	M3	5.5	10	6	6	100
304310140050	304310141152	304310141556	M3	5.5	10	8	6	100
304312240050	-	-	M3	5.5	12	6	6	100
304312140050	304312141152	304312141556	M3	5.5	12	8	8	100
304313140050	-	-	M3	5.5	13	8	8	100
304315240050	-	-	M3	5.5	15	6	6	100
304315140050	304315141152	304315141556	M3	5.5	15	8	8	100
304318240050	-	-	M3	5.5	18	6	6	100
304318140050	304318141152	304318141556	M3	5.5	18	8	8	100
304320240050	-	-	M3	5.5	20	6	6	100
304320140050	304320141152	304320141556	M3	5.5	20	8	8	100
304325240050	-	-	M3	5.5	25	6	6	100
304325140050	304325141152	304325141556	M3	5.5	25	10	10	100
304330240050	-	-	M3	5.5	30	6	6	100

Part Number			Dimensions					Standard Pack Quantity
Nickel Plated Brass	Zinc Plated Steel	Stainless Steel	d	S	h2	h1	h	
304330140050	304330141152	304330141556	M3	5.5	30	10	10	100
304335240050	-	-	M3	5.5	35	6	6	50
304335140050	304335141152	-	M3	5.5	35	10	10	50
304340240050	-	-	M3	5.5	40	6	6	50
304340140050	304340141152	304340141556	M3	5.5	40	10	10	50
304350240050	-	-	M3	5.5	50	6	6	50
304350140050	304350141152	304350141556	M3	5.5	50	10	10	50
304360140050	304360141152	-	M3	5.5	60	10	10	50
304408040050	304408041152	-	M4	7	8	8	4	100
304410040050	304410041152	304410041556	M4	7	10	8	6	100
304412040050	304412041152	-	M4	7	12	8	8	100
304415040050	304415041152	304415041556	M4	7	15	8	8	100
304418040050	304418041152	-	M4	7	18	8	8	100
304420040050	304420041152	304420041556	M4	7	20	8	8	100
304425040050	304425041152	304425041556	M4	7	25	10	10	50
304430040050	304430041152	304430041556	M4	7	30	10	10	50
304435040050	304435041152	-	M4	7	35	10	10	50
304440040050	304440041152	304440041556	M4	7	40	10	10	50
304445040050	304445041152	-	M4	7	45	10	10	50
304450040050	304450041152	304450041556	M4	7	50	10	10	50
-	304455041152	-	M4	7	55	10	10	50
304460040050	304460041152	-	M4	7	60	10	10	25
-	304465041152	-	M4	7	65	10	10	25
304470040050	304470041152	-	M4	7	70	10	10	25
-	304480041152	-	M4	7	80	10	10	25
304510040050	304510041152	304510041556	M5	8	10	8	6	50
304512040050	304512041152	304512041556	M5	8	12	8	8	50
304515040050	304515041152	304515041556	M5	8	15	8	8	50
304518040050	304518041152	304518041556	M5	8	18	8	8	50
304520040050	304520041152	304520041556	M5	8	20	8	8	50
304525040050	304525041152	304525041556	M5	8	25	10	10	50
304530040050	304530041152	304530041556	M5	8	30	10	10	50
304535040050	304535041152	304535041556	M5	8	35	10	10	25
304540040050	304540041152	304540041556	M5	8	40	10	10	25
304545040050	304545041152	-	M5	8	45	10	10	25
304550040050	304550041152	304550041556	M5	8	50	10	10	25
-	304555041152	-	M5	8	55	10	10	25
304560040050	304560041152	304560041556	M5	8	60	10	10	25
-	304570041152	304570041556	M5	8	70	10	10	25
-	304610341152	304610341556	M6	10	12	6	6	50
-	304612341152	304612341556	M6	10	12	8	8	50
-	304615341152	304615341556	M6	10	15	12	8	50
-	-	304618341556	M6	10	18	12	8	50
-	304618341152	-	M6	10	18	12	12	50
-	304620341152	304620341556	M6	10	20	12	12	50
-	304625341152	304625341556	M6	10	25	12	13	50
-	304630341152	304630341556	M6	10	30	12	13	25
-	304635341152	304635341556	M6	10	35	12	13	25
-	304640341152	304640341556	M6	10	40	12	13	25
-	304650341152	304650341556	M6	10	50	12	13	25
-	304660341152	304660341556	M6	10	60	12	13	25
-	304670341152	304670341556	M6	10	70	12	13	25
-	304680341152	304680341556	M6	10	80	12	13	25
-	304690341152	304690341556	M6	10	90	12	13	25
-	304815041152	-	M8	13	15	14	8	10
-	304818041152	-	M8	13	18	14	12	10
-	304820041152	-	M8	13	20	14	12	10
-	304825041152	-	M8	13	25	14	15	10
-	304830041152	-	M8	13	30	14	15	10
-	304835041152	-	M8	13	35	14	15	10
-	304840041152	-	M8	13	40	14	15	10
-	304850041152	-	M8	13	50	14	15	10
-	304860041152	-	M8	13	60	14	15	10
-	304870041152	-	M8	13	70	14	15	10

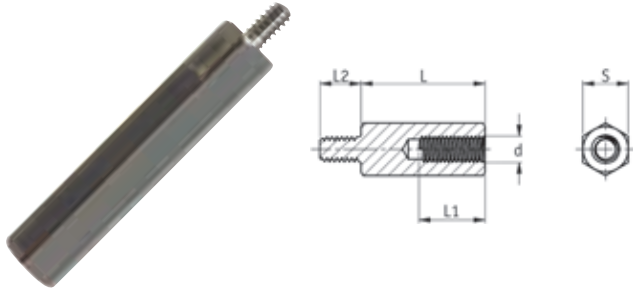
THREADED AND NON-THREADED SPACERS

Hex Spacer – Self Tapping Male/Female

SR 6125

Nickel Plated Hardened Steel – Brass coloured

- Excellent electrical conduction
- No closing washers or nuts necessary because of self-tapping thread
- Especially suitable for metal sheets, aluminium and plastic



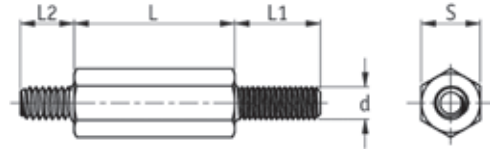
Part Number	Dimensions (mm)						Standard Pack Quantity
	d	S	L	L2	L1	Hole dia.	
315305140058	M3	6	5	5	3	2.7	100
315308140058	M3	6	8	5	4	2.7	100
315310140058	M3	6	10	5	6	2.7	100
315312140058	M3	6	12	5	8	2.7	100
315315140058	M3	6	15	5	8	2.7	100
315410041058	M4	7	10	8	6	3.6	100
315415041058	M4	7	15	8	8	3.6	100
315420041058	M4	7	20	8	8	3.6	100
315425041058	M4	7	25	10	10	3.6	50
315430041058	M4	7	30	10	10	3.6	50

Hex Spacer – Self Tapping Male/Male

SR 6126

Zinc Plated Hardened Steel

- No closing washers or nuts necessary because of self-tapping thread
- Especially suitable for metal sheets, aluminium and plastic
- Hole diameter 2.70 mm (+0.00/-0.05)



Part Number	Dimensions (mm)						Standard Pack Quantity
	d	S	L	L1	L2		
316305140058	M3	6	5	5	8	100	
316308140058	M3	6	8	5	8	100	
316310140058	M3	6	10	5	8	100	
316312140058	M3	6	12	5	8	100	
316315140058	M3	6	15	5	8	100	

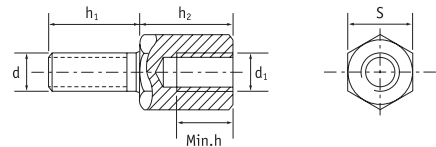


Hex Spacer – Sub-D

SR 2703

Nickel Plated Brass/Zinc Plated Steel/Stainless Steel

- Screw-in design
- Used for attaching sub-D Connectors



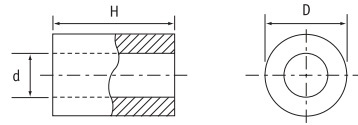
Part Number			Dimensions (mm)							Standard Pack Quantity
Nickel Plated Brass	Zinc Plated Steel	Stainless Steel	d	d1	S	h1	Min.h	h2		
308104040050	308104041152	308104041556	4 NC	4 NC	5	6	3	5	100	
308204040050	308204041152	308204041556	4 NC	4 NC	5	8	3	5	100	
308304040050	308304041152	-	4 NC	4 NC	5	12	3	5	100	
308103040050	308103041152	-	4 NC	M3	5	6	3	5	100	
308203040050	308203041152	308203041556	4 NC	M3	5	8	3	5	100	
308102040050	308102041152	308102041556	M3	4 NC	5	6	3	5	100	
308202040050	308202041152	308202041556	M3	4 NC	5	8	3	5	100	
308302040050	308302041152	-	M3	4 NC	5	12	3	5	100	
308101040050	308101041152	308101041556	M3	M3	5	6	3	5	100	
308201040050	308201041152	308201041556	M3	M3	5	8	3	5	100	
308301040050	308301041152	-	M3	M3	5	12	3	5	100	

Round Spacer

SR 2704

Nickel Plated Brass/Stainless Steel

- A versatile universal assembly element for use in all sectors
- Allows for decorative applications, such as displays, furniture, etc.



Part Number		Dimensions (mm)			Standard Pack Quantity
Nickel Plated Brass	StainlessSteel	d	D	H	
311220240050	311220240056	2.2	4	2	250
311220340050	-	2.2	4	3	250
311220440050	-	2.2	4	4	250
311220540050	-	2.2	4	5	250
311220640050	-	2.2	4	6	250
311220740050	-	2.2	4	7	250
311220840050	-	2.2	4	8	250
311221040050	-	2.2	4	10	250
311250140050	-	2.5	5	1	250
311250240050	-	2.5	5	2	250
311250340050	-	2.5	5	3	250
311250440050	311250441556	2.5	5	4	250
311250540050	311250541556	2.5	5	5	250
311250640050	311250641556	2.5	5	6	250
311250740050	311250741556	2.5	5	7	250
311250840050	311250841556	2.5	5	8	250
311251040050	-	2.5	5	10	100
311252040050	-	2.5	5	20	100
311320140050	-	3.2	6	1	250
311320240050	-	3.2	6	2	250
311320340050	-	3.2	6	3	250
311320440050	311320441556	3.2	6	4	250
311320540050	311320541556	3.2	6	5	250
311320640050	311320641556	3.2	6	6	250
311320740050	311320741556	3.2	6	7	250
311320840050	311320841556	3.2	6	8	250
311320940050	-	3.2	6	9	100
311321040050	311321041556	3.2	6	10	100
311321240050	-	3.2	6	12	100
311321540050	-	3.2	6	15	100
311322040050	-	3.2	6	20	100
311322540050	-	3.2	6	25	50

Part Number		Dimensions (mm)			Standard Pack Quantity
Nickel Plated Brass	StainlessSteel	d	D	H	
311323040050	-	3.2	6	30	50
311430240050	-	4.3	8	2	250
311430340050	-	4.3	8	3	250
311430440050	311430441556	4.3	8	4	250
311430540050	311430541556	4.3	8	5	250
311430640050	311430641556	4.3	8	6	100
311430740050	311430741556	4.3	8	7	100
311430840050	311430841556	4.3	8	8	100
311431040050	311431041556	4.3	8	10	100
311431240050	311431241556	4.3	8	12	100
311431540050	-	4.3	8	15	100
311431840050	311431541556	4.3	8	18	100
311432040050	-	4.3	8	20	100
311432540050	-	4.3	8	25	50
311433040050	-	4.3	8	30	50
311433540050	-	4.3	8	35	50
311434040050	-	4.3	8	40	50
311530240050	-	5.3	10	2	100
311530340050	-	5.3	10	3	100
311530440050	-	5.3	10	4	100
311530540050	-	5.3	10	5	100
311530640050	-	5.3	10	6	100
311530740050	-	5.3	10	7	100
311530840050	-	5.3	10	8	100
311531040050	-	5.3	10	10	100
311531240050	-	5.3	10	12	100
311531540050	-	5.3	10	15	100
311531840050	-	5.3	10	18	100
311532040050	-	5.3	10	20	100
311532540050	-	5.3	10	25	50
311533040050	-	5.3	10	30	50
311534040050	-	5.3	10	40	25

Standing Capacity Holder

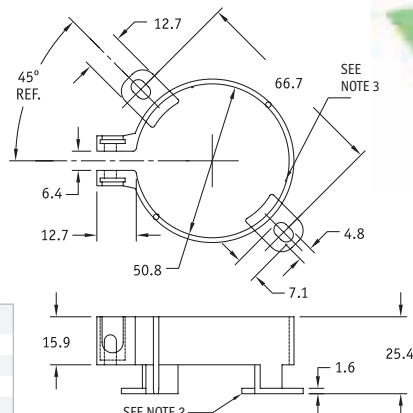
SR 2803

SCH/SCHS

Black, Glass-filled Nylon, RMS-18

- Optional
- Note 1: Clamping hardware; Screw (S6B) Stainless Steel, RMS-357 ZincPlating, RMS-358; Quick Nut (QN-6) Spring Steel C1050, RMS-327 Coating:Black Phosphate, RMS-356
- Note 2: Spacer to elevate capacitor 2.4 from chassis
- Note 3: Anti-rotation rib (three locations)

Part Number	Description	Standard Pack Quantity
SCHS-2	w/spacer. w/o hardware (Note 1)	100
SCH-2	w/o spacer. w/o hardware	100
SCHS-2-H	w/spacer. w/clamping hardware	100
SCH-2-H	w/o spacer. w/clamping hardware	100



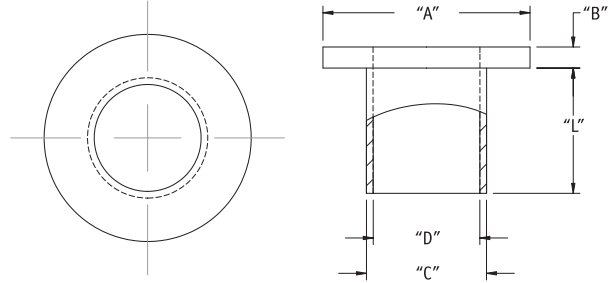
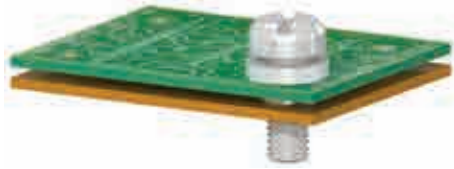
THREADED AND NON-THREADED SPACERS

Screw Insulator

SR 2804

MNI

Nylon 6/6



Part Number	Screw Size	Dimensions (mm)					Material	Standard Pack Quantity
		"L"	"A"	"B"	"C"	"D"		
MNI-2-2	M2	0.8	4.6	1.2	3	2.3	RMS-01	1000
MNI-2-4	M2	1.6	4.6	1.2	3	2.3	RMS-01	1000
MNI-2-6	M2	2.4	4.6	1.2	3	2.3	RMS-01	1000
MNI-4-2	M2.5	0.8	6	1.2	3.7	2.9	RMS-01	1000
MNI-4-3	M2.5	1.2	6	1.2	3.7	2.9	RMS-01	1000
MNI-M2.5-1.3	M2.5	1.3	6.3	1.2	3.5	2.9	RMS-01	1000
MNI-4-4	M2.5	1.6	6	1.2	3.7	2.9	RMS-01	1000
MNI-4-5	M2.5	2.1	6.4	1.2	3.6	2.9	RMS-01	1000
MNI-4-6	M2.5	2.4	6	1.2	3.7	2.9	RMS-01	1000
MNI-4-8	M2.5	3.2	6	1.2	3.7	2.9	RMS-01	1000
MNI-M2.5-3.6	M2.5	3.6	7.1	1.5	3.8	2.8	RMS-01	1000
MNI-4-10	M2.5	4	6	1.2	3.7	2.9	RMS-01	1000
MNI-4-12	M2.5	4.7	6	1.2	3.7	2.9	RMS-01	1000
MNI-4-16	M2.5	6.4	6	1.2	3.7	2.9	RMS-01	1000
MNI-4-24	M2.5	9.5	6	1.2	3.7	2.9	RMS-01	1000
MNI-M3-1.0	M3	1	7.1	1	3.8	3.1	RMS-48	1000
MNI-5-3	M3	1.3	9.4	1.2	6	3.3	RMS-48	1000
MNI-M3-1.3	M3	1.3	8.8	1.2	6	3.2	RMS-01	1000
MNI-M3-2.5	M3	2.5	7.1	1	3.8	3.1	RMS-48	1000
MNI-M3-3.5	M3	3.5	7.1	1	3.8	3.1	RMS-01	1000
MNI-6-2	M3.5	0.8	7.4	1.2	4.3	3.6	RMS-01	1000
MNI-6-4	M3.5	1.6	7.4	1.2	4.3	3.6	RMS-01	1000
MNI-6-6	M3.5	2.4	7.4	1.2	4.3	3.6	RMS-01	1000
MNI-6-8	M3.5	3.2	7.4	1.2	4.3	3.6	RMS-01	1000
MNI-6-12	M3.5	4.7	7.4	1.2	4.3	3.6	RMS-01	1000
MNI-6-16	M3.5	6.4	7.4	1.2	4.3	3.6	RMS-01	1000
MNI-6-24	M3.5	9.5	7.4	1.2	4.3	3.6	RMS-01	1000

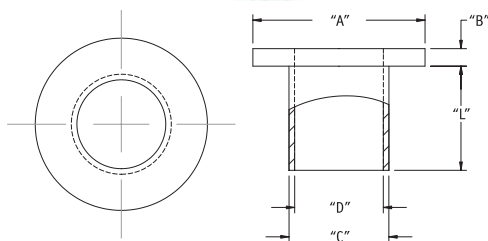
Part Number	Screw Size	Dimensions (mm)					Material	Standard Pack Quantity
		"L"	"A"	"B"	"C"	"D"		
MNI-6-32	M3.5	12.7	7.4	1.2	4.3	3.6	RMS-48	1000
MNI-8-2	M4	0.8	8.7	1.6	5.2	4.4	RMS-01	1000
MNI-8-4	M4	1.6	8.7	1.6	5.2	4.4	RMS-01	1000
MNI-8-6	M4	2.4	8.7	1.6	5.2	4.4	RMS-01	1000
MNI-8-8	M4	3.2	8.7	1.6	5.2	4.4	RMS-01	1000
MNI-8-12	M4	4.7	8.7	1.6	5.2	4.4	RMS-01	1000
MNI-8-16	M4	6.4	8.7	1.6	5.2	4.4	RMS-01	1000
MNI-8-24	M4	9.5	8.7	1.6	5.2	4.4	RMS-48	1000
MNI-8-32	M4	12.7	8.7	1.6	5.2	4.4	RMS-01	1000
MNI-10-2	M5	0.8	10.1	1.6	6.6	5.1	RMS-01	1000
MNI-10-4	M5	1.6	10.1	1.6	6.6	5.1	RMS-01	1000
MNI-10-6	M5	2.4	10.1	1.6	6.6	5.1	RMS-01	1000
MNI-10-8	M5	3.2	10.1	1.6	6.6	5.1	RMS-01	1000
MNI-10-12	M5	4.7	10.1	1.6	6.6	5.1	RMS-01	1000
MNI-10-16	M5	6.4	10.1	1.6	6.6	5.1	RMS-01	1000
MNI-10-24	M5	9.5	10.1	1.6	6.6	5.1	RMS-01	1000
MNI-10-32	M5	12.7	10.1	1.6	6.6	5.1	RMS-48	1000
MNI1/4-2	M6	0.8	13	1.7	7.9	6.6	RMS-01	1000
MNI1/4-4	M6	1.6	13	1.7	7.9	6.6	RMS-01	1000
MNI1/4-6	M6	2.4	13	1.7	7.9	6.6	RMS-01	1000
MNI1/4-12	M6	4.7	13	1.7	7.9	6.6	RMS-01	1000
MNI1/4-16	M6	6.4	13	1.7	7.9	6.6	RMS-01	1000
MNI1/4-24	M6	9.5	13	1.7	7.9	6.6	RMS-01	1000
MNI1/4-32	M6	12.7	13	1.7	7.9	6.6	RMS-01	1000
MNI5/16-6	M8	2.4	15.7	1.6	9.1	8.1	RMS-01	1000
MNI5/16-12	M8	4.7	15.7	1.6	9.1	8.1	RMS-01	1000
MNI5/16-16	M8	6.4	15.7	1.6	9.1	8.1	RMS-01	1000

Screw Insulator High Temperature

SR 2805

MNI-HT

Black



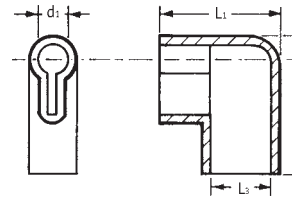
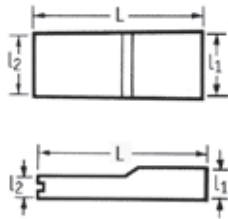
Part Number	Screw Size	Dimensions (mm)					Material	Standard Pack Quantity
		"L"	"A"	"B"	"C"	"D"		
MNI-HT-M2-1	M2	1.1	8	1	4.8	2.6	Nylon 6, 25% Glass Filled, RMS-173	1000
MNI-HT-M2-2	M2	1.3	6	1	3.5	2.6	Nylon 6, 25% Glass Filled, RMS-173	1000
MNI-HT-M2-3	M2	1.6	8	2.6	4.5	2.6	Nylon 6, 25% Glass Filled, RMS-173	1000
MNI-HT-M2-4	M2	4	7	2	3.5	2.6	Nylon 6, 25% Glass Filled, RMS-173	1000
MNI-HT-M2.5-1	M2.5	0.6	5.9	2	3.5	3	Nylon 6, 25% Glass Filled, RMS-173	1000
MNI-HT-M2.5-2	M2.5	1.2	5.9	1.3	3.5	3	Nylon 6, 25% Glass Filled, RMS-173	1000
MNI-HT-M2.5-3	M2.5	1.5	8	3	3.6	3	Nylon 6, 25% Glass Filled, RMS-173	1000
MNI-HT-M2.5-4	M2.5	2.5	5.5	1	3.5	3	Nylon 6, 25% Glass Filled, RMS-173	1000
MNI-HT-4-2	M3	0.8	7.1	1.2	3.7	3	40% Glass Filled Polyphenylene Sulfide, RMS-50	1000
MNI-HT-4-220*	M3	0.8	5.5	1	3.4	2.9	40% Glass Filled Polyphenylene Sulfide, RMS-50	1000
MNI-HT-M3-1	M3	2	9	2	6.3	3.5	Nylon 6, 25% Glass Filled, RMS-173	1000
MNI-HT-M3-2	M3	2.2	7	0.8	5.1	3.5	Nylon 6, 25% Glass Filled, RMS-173	1000
MNI-HT-M3-3	M3	7.4	7	0.8	4.9	3.5	Nylon 6, 25% Glass Filled, RMS-173	1000
MNI-HT-M4-2	M4	3.2	8	0.8	6	4.5	Nylon 6, 25% Glass Filled, RMS-173	1000
MNI-HT-M4-4	M4	8	15.7	5	9.7	4.5	Nylon 6, 25% Glass Filled, RMS-173	1000
MNI-HT-10-6	M4.5	2.4	10.1	1.6	6.6	5.1	40% Glass Filled Polyphenylene Sulfide, RMS-50	1000
MNI-HT-M6-1	M6	1.3	13	0.6	9.6	6.5	Nylon 6, 25% Glass Filled, RMS-173	1000
MNI-HT-M6-2	M6	3.5	25	4.5	13	6.5	Nylon 6, 25% Glass Filled, RMS-173	1000
MNI-HT-M6-3	M6	6	25	4.5	13	6.5	Nylon 6, 25% Glass Filled, RMS-173	1000
MNI-HT-M6-4	M6	8.5	25	4.5	13	6.5	Nylon 6, 25% Glass Filled, RMS-173	1000

Terminal Sleeves – Post-Fit

SR 1771

PVC

- Protect wiring terminal
- Widely used in automotive and electrical industries



Post-Fit Right-Angled Type, Clear PVC

- This design can be fitted after the terminal is crimped to the wire

Post-Fit Straight Type, Clear PVC

Part Number	Terminal Size (mm)	Dimensions (mm)			Standard Pack Quantity
		l1	L	l2	
10077	6.3	7.8 x 3.2	26.5	6.0 x 1.5	10000

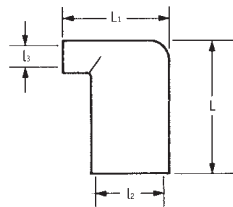
Part Number	Terminal Size (mm)	Dimensions (mm)				Standard Pack Quantity
		d1	L1	L3	L2	
10100	4.8	4.0	15.0	6.0 x 3.0	15.0	20000
10145	6.3	4.0	16.8	8.5 x 4.0	18.5	10000

Terminal Sleeves – Standard

SR 1771

PVC

- Protect wiring terminal



Standard Straight Type, Clear PVC

Standard Right-Angled Type, Clear PVC

Part Number	Terminal Size (mm)	Dimensions (mm)				Standard Pack Quantity
		l3	L	l2	l1	
10262	4.8	4.6 x 2.8	4.6 x 2.8	12.3	6.2 x 2.1	20000
10622	6.3	3.0	16.0	8.3 x 3.1	14.4	20000
10623	6.3	4.5	17.0	8.8 x 3.0	14.3	20000

Part Number	Terminal Size (mm)	Dimensions (mm)			Standard Pack Quantity
		l1	L	l2	
11603	2.8	2.5	19.5	3.7 x 2.5	20000
10973	9.5	3.3	32.9	11.0 x 3.2	10000
10631	9.5	4.8	33.4	10.3 x 4.0	5000
10490	4.8	2.8	25.4	7.4 x 2.0	20000
11049	4.8	3.0	19.5	4.8 x 1.7	20000
10789	6.3	4.0 x 2.5	26.4	7.7 x 2.3	20000
50760	6.3	4.3 x 2.0	26.0	7.5 x 2.0	20000
10626	6.3	5.7 x 2.3	27.0	7.6 x 2.3	10000

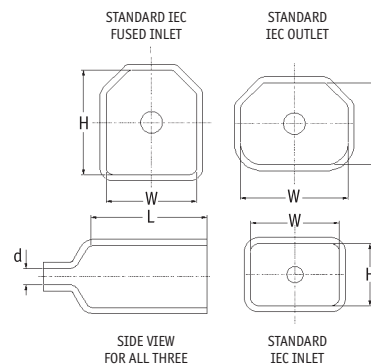
IEC Standard Terminal Insulation Sleeves

SR 1773

Black Flexible PVC

- Protect and insulate rear connection receptacles of IEC standard inlets and outlets
- Flash tested to 3K Volts AC (EN 60950)

Part Number	Description	Dimensions (mm)				Standard Pack Quantity
		H	W	L	d	
TSWXA-01	Fused Inlet	31.5	26.5	45.0	6.4	400
TSWXA-03	Standard Inlet	18.2	26.1	33.0	4.8	400



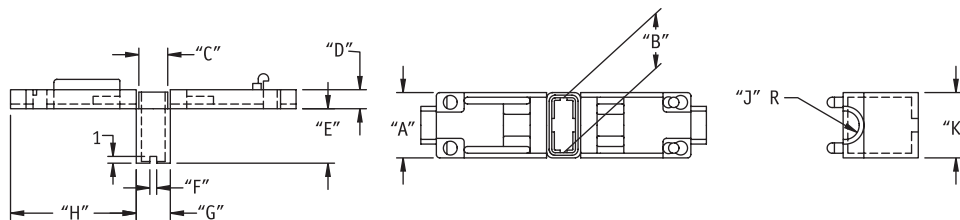
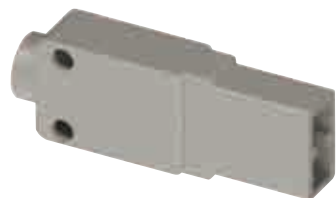
One Touch Sleeve Insulator

SR 2806

OS

Natural, Nylon 6, RMS-120

UL #E55167

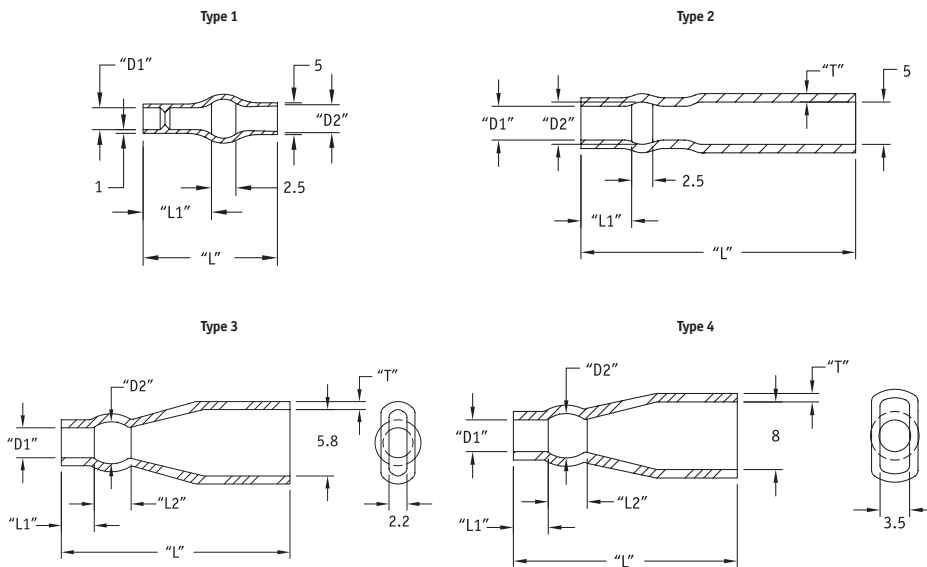


Part Number	Terminal Type	Dimensions (mm)											Standard Pack Quantity
		Wire Ø	"A"	"B"	"C"	"E"	"F"	"G"	"H"	"J"	"K"		
OS-187	Straight Type 187 Series	3.6	8.8	6.1	2.7	2.6	6.8	1	3.9	15.1	1.8	7.5	500
OS-250	Straight Type 250 Series	3.8	9.8	7.9	3.4	2.8	8	1	4.7	18.5	2.05	9.1	500

Quick Fit Insulator

SR 2807

Blue, Soft PVC, RMS-55



Part Number	Wire O.D. Range	Wire Gauge	Dimensions (mm)						Type	Standard Pack Quantity
			"D1"	"D2"	"L1"	"L2"	"L"	"T"		
224225	1.47-2.31	22-18	2.5	4.1	6.1	-	13	-	1	1000
224230	1.73-2.87	20-18	3	4.1	6.1	-	13	-	1	1000
215025	1.47-2.31	22-18	2.5	4.1	6.1	-	33	1	2	1000
215032	1.8-3.2	18-16	3.3	4.6	7.1	-	34	1	2	1000
235830	1.5-2.3	20-18	3	4	5	2.5	23	0.8	3	1000
235835	1.8-3.6	18-14	3.5	4.5	5	3	23	0.8	3	1000
238032	1.8-3.2	18-16	3.3	4.8	5.1	2.5	24.1	1	4	1000
238035	1.8-3.6	18-14	3.6	4.6	5.1	3	24.1	1	4	1000
238040	2.3-3.6	16-14	4.1	5.1	5.1	3	24.6	1	4	1000
238048	2.9-4.8	14-12	4.8	6.3	5.1	2.5	24.9	1	4	1000

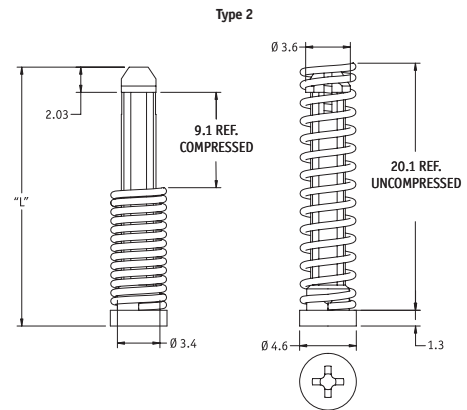
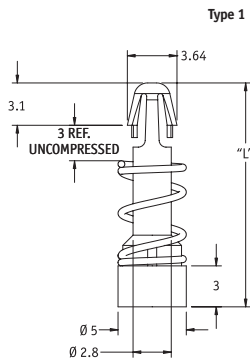
Heat Sink Spring Mount Rivet

SR 2808

HSR

Rivet Material: Natural Nylon 6/6, RMS-47

Spring Material: Steel, RMS-326 Chrome Plated RMS-355



Part Number	Type	"L"	Heat Sink Hole	Chassis Hole	Standard Pack Quantity
HSR-1	1	16.4	3.18	3	1000
HSR-2	2	20.9	3.05	3.1	1000

Ceramic Beads

SR 2809

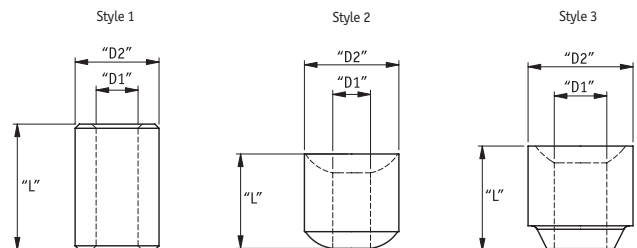
CER

Natural Steatite C220 Ceramic, RMS-170

- Max. operating temperature: 1000°C
- Parts are stackable as seen in application photo



Part Number	Dimensions (mm)			Style	Standard Pack Quantity
	"D1"	"D2"	"L"		
CER-1	2	4	6	1	1000
CER-2	1.6	4.5	8	1	1000
CER-3	1.6	4.5	10	1	1000
CER-4	1	3	3	2	1000
CER-5	1.8	4.5	4.5	2	1000
CER-6	1	3	5	2	1000
CER-7	2.5	5	5	3	1000



Vertical Mount Card Guides

VMCGN

Card Guide: Blue UL94 V0 Polystyrene, RMS-117

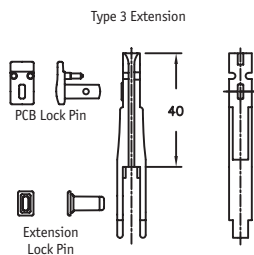
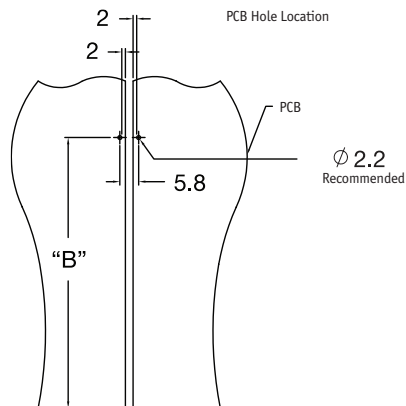
Locking Mechanism: White Acetal, RMS-39

Screw: Mild Steel, Zinc Plated, RMS-415

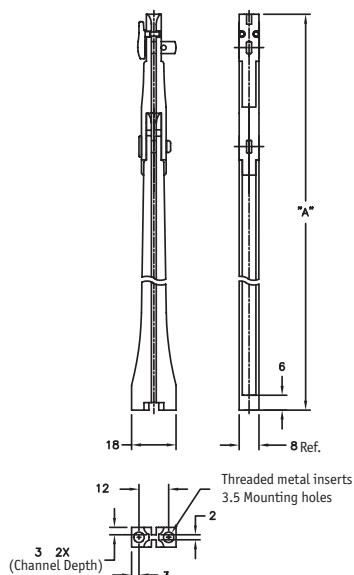
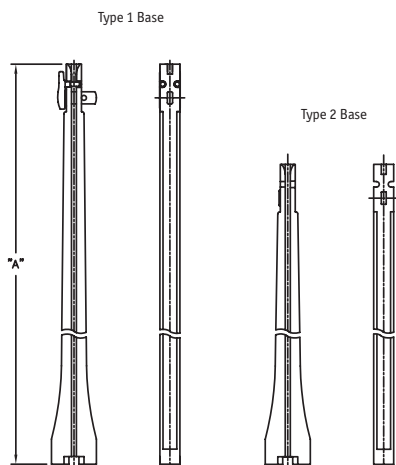
Threaded Insert: Brass, RMS-231



Patented



Type 2 + Type 3 Assembly



Part Number	Type	Dimensions (mm)		Threaded Insert	Accepts PCB Thickness	Standard Pack Quantity
		"A"	"B"			
VMCGN65-M3-L-K*	1	65	57	M3	2	100
VMCGN65-440-L	1	65	57	4/40	2	100
VMCGN120-440-L	1	120	112	M3	2	100
VMCGN120-M3-L-K*	1	120	112	4/40	2	100
VMCGN160-440-L	2 + 3	160	152	M3	2	100
VMCGN160-M3-L-K*	2 + 3	160	152	4/40	2	100
VMCGN105-M3-L-K*	2 + 3	105	97	M3	2	100

*M3 x 8mm threaded screw, washer and lock washer hardware included

Vertical Mount Card Guides

VMCG

Card Guide: Grey GF Nylon 6, RMS-38

Locking Mechanism: Black HDPE, RMS-284,

Metal Pin: Stainless Steel, RMS-228

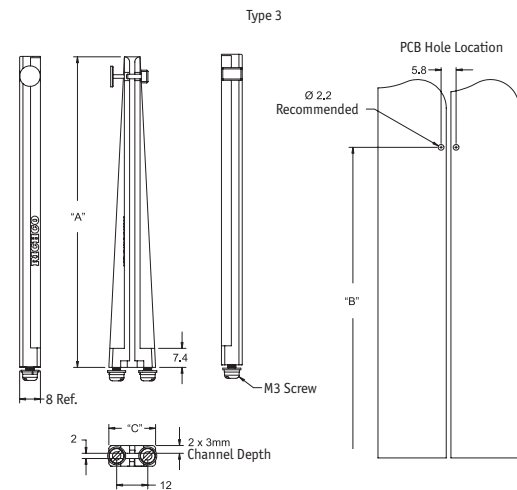
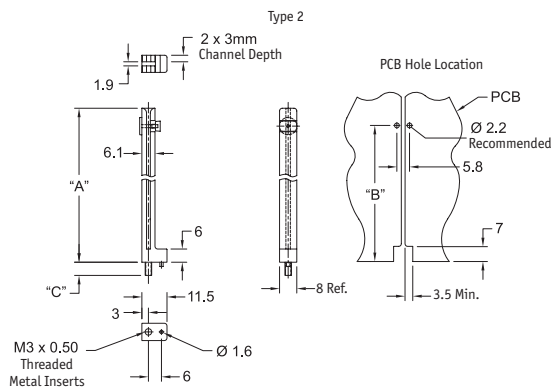
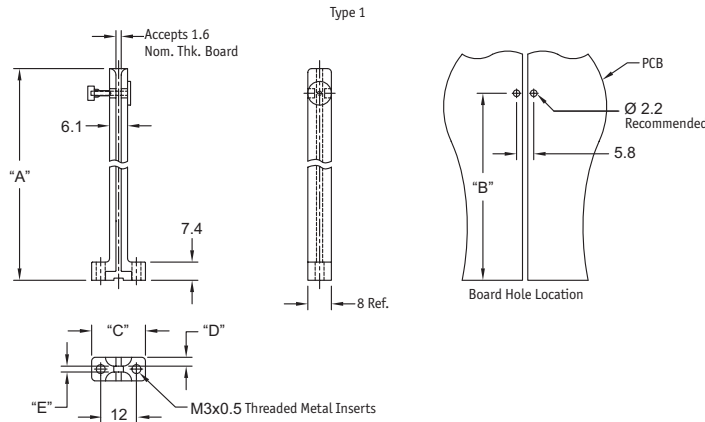
Screw: Mild Steel, Zinc Plated, RMS-415

Threaded Insert: Brass, RMS-231

- Includes mounting hardware: screw, washer and lockwasher



Patented

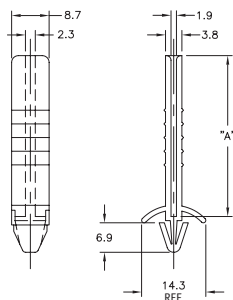


Part Number	Type	Dimensions (mm)					Accepts PCB Thickness	Mounting Hole Panel Thickness	Standard Pack Quantity
		"A"	"B"	"C"	"D"	"E"			
VMCG-50-MPBK-K	1	46.5	42.3	-	2.6	2.7	1.6	Up to 3.18mm supplied with M3 x 8mm Screw	100
VMCG-65-MPBK-K	1	65	56.5	-	3	2	1.6	Up to 3.18mm supplied with M3 x 8mm Screw	100
VMCG-90-MPBK-K	1	90	81.5	-	3	2	1.6	Up to 3.18mm supplied with M3 x 8mm Screw	100
VMCG-135-MPBK-K	1	135	126.5	-	3	2	1.6	Up to 3.18mm supplied with M3 x 8mm Screw	100
VMCG-160-MPBK-K	1	160	112.5	-	3	2	1.6	Up to 3.18mm supplied with M3 x 8mm Screw	100
VMCG-330-MPBK-K	1	120	112.5	-	3	2	1.6	Up to 3.18mm supplied with M3 x 8mm Screw	100
VMCG-100-MPBK-K	2	100	92	8.9	-	-	1.6	Up to 3.18mm supplied with M3 x 8mm Screw	100
VMCG-70-MPBK-K	2	70.1	62.5	5.6	-	-	1.6	Up to 3.18mm supplied with M3 x 8mm Screw	100
VMCG-320-MPBK-K	3	120	112.5	18	-	-	1.6	Up to 3.18mm supplied with M3 x 8mm Screw	100
VMCG-360-MPBK-K	3	160	112.5	19	-	-	1.6	Up to 3.18mm supplied with M3 x 8mm Screw	100

Circuit Board Guide

CBG

Natural Nylon 6/6,RMS-01



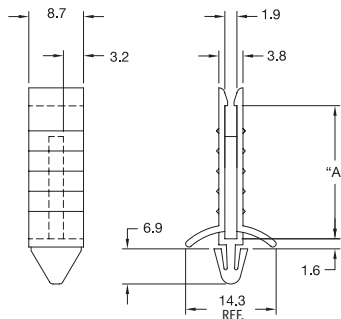
Mounts Into Hole: Snap-lock into rectangular hole $4.4 \pm 0.08 \times 7.9 \pm 0.08$

Part Number	Dimensions (mm)			Standard Pack Quantity
	"A"	Accepts PCB Thickness	Mounting Hole Panel Thickness	
CBG-1-01	25.4	1.6	0.8-1.8	100
CBG-1.5-01	38.1	1.6	0.8-1.8	100
CBG-2-01	50.8	1.6	0.8-1.8	100
CBG-3-01	76.2	1.6	0.8-1.8	100

Locking Circuit Board Guide

LCBG

Natural Nylon 6/6,RMS-01



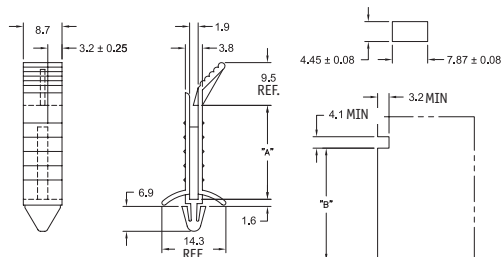
Mounts Into Hole: Snap-lock into rectangular hole $4.45 \pm 0.08 \times 7.87 \pm 0.08$

Part Number	Dimensions (mm)			Standard Pack Quantity
	"A"	Accepts PCB Thickness	Mounting Hole Panel Thickness	
LCBG-1-01	22.4	1.6	0.8-1.8	100
LCBG-1.5-01	34.9	1.6	0.8-1.8	100
LCBG-2-01	47.5	1.6	0.8-1.8	100
LCBG-3-01	73	1.6	0.8-1.8	100

Locking Circuit Board Guide

LCBG-T

Natural Nylon 6/6,RMS-01



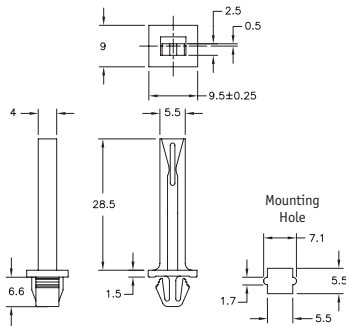
Mounts Into Hole: Snap-Lock into rectangular hole $4.45 \pm 0.08 \times 7.87 \pm 0.08$ panel thickness 0.78 to 1.78

Part Number	Dimensions (mm)			Standard Pack Quantity
	"A"	"B"	Accepts PCB Thickness	
LCBG-1T-01	22.4	22	1.6	100
LCBG-1.5T-01	34.9	34.5	1.6	100
LCBG-2T-01	47.5	47.1	1.6	100
LCBG-3T-01	73	72.6	1.6	100

Vertical Mount Guide

VMCGE

Natural Nylon 6/6, RMS-01



Bottom Hole: Snap-lock: into dimensions above, ± 0.08

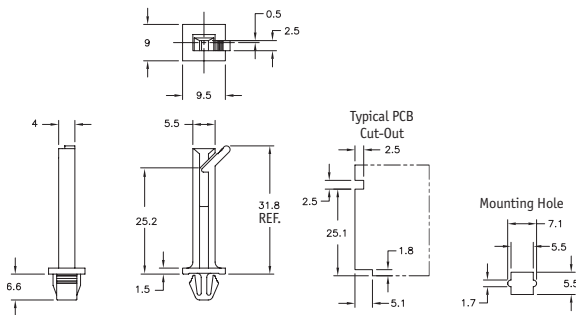


Part Number	Dimensions (mm)		Standard Pack Quantity
	Accepts PCB Thickness	Mounting Hole Panel Thickness	
VMCGE-30M-01	1.6	1.2-1.8	1000

Vertical Mount Guide Latched

VMCGLE

Natural Nylon 6/6, RMS-01



Bottom Hole: Snap-lock: into dimensions above, ±0.08

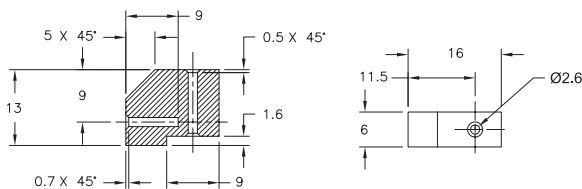


Part Number	Material	Dimensions (mm)		Standard Pack Quantity
		Accepts PCB Thickness	Mounting Hole Panel Thickness	
Nylon 6/6, RMS-01	Flame Retardant Nylon 6/6, RMS-19	1.6	1.2-1.8	1000
VMCGLE-31M-01	VMCGLE-31M-19			

Printed Circuit Board Mounting Block

PCB-MB

Natural Nylon 6/6, RMS-01



Mounting Holes: Ø 2.6, accepts a self-tapping screw



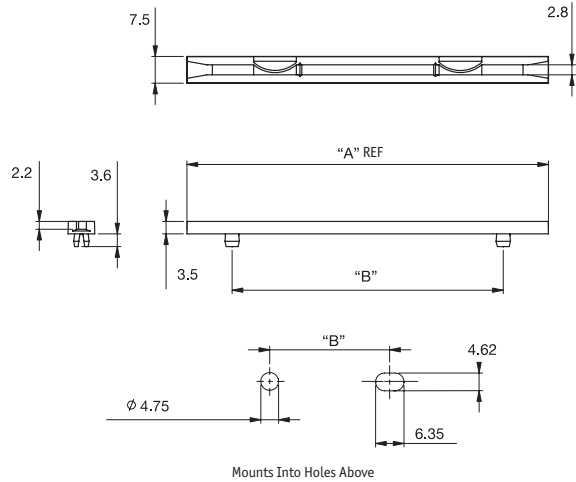
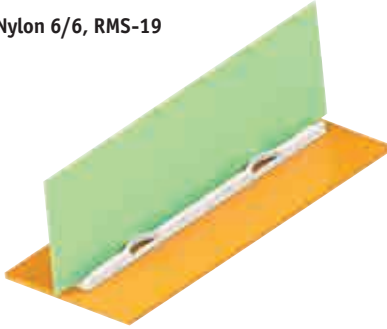
Part Number	Material	Standard Pack Quantity
PCB-MB-01	Nylon 6/6, RMS-01	1000
PCB-MB-19	UL94 V0 Nylon 6/6 RMS-19	1000

CARD GUIDES AND PULLERS

Multi Panel Card Guide

MPCG

Natural UL94 V0 Nylon 6/6, RMS-19

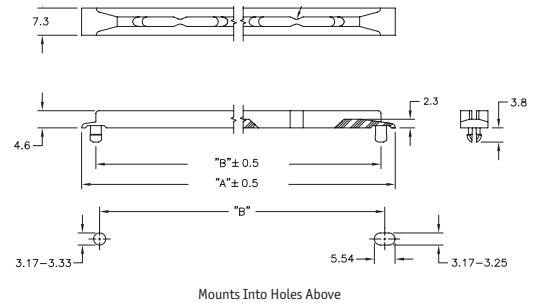


Part Number	Dimensions (mm)				Standard Pack Quantity
	"A"	"B"	Accepts PCB Thickness	Mounting Hole Panel Thickness	
MPCG-250	63.5	38.1	0.8-2	0.5-2	500
MPCG-300	76.2	50.8	0.8-2	0.5-2	500
MPCG-400	101.6	76.2	0.8-2	0.5-2	500
MPCG-550	139.7	114.4	0.8-2	0.5-2	500

Tension Card Guide

TCG

Black UL94 V0 Polycarbonate, RMS-23

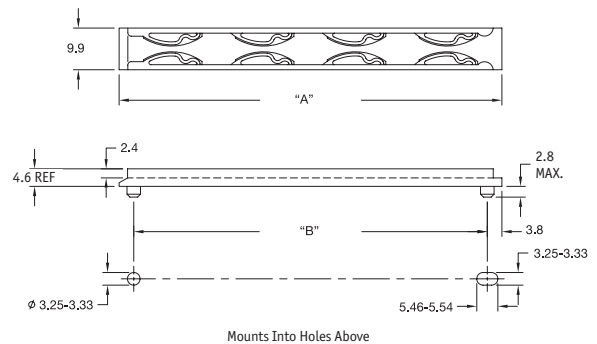


Part Number	Dimensions (mm)				Number of Grips	Standard Pack Quantity
	"A"	"B"	Accepts PCB Thickness	Mounting Hole Panel Thickness		
TCG1-2.500-23	63.5	55.9	1.6	1.6	1	500
TCG1-3.300-23	83.8	76.2	1.6	1.6	2	500
TCG1-3.925-23	99.7	92.1	1.6	1.6	2	500
TCG1-6.675-23	169.5	161.9	1.6	1.6	4	500

Tension Rack Card Guide

TRCG

Black UL94 V0 Polycarbonate, RMS-23



Part Number	Dimensions (mm)				Standard Pack Quantity
	"A"	"B"	Accepts PCB Thickness	Mounting Hole Panel Thickness	
TRCG-2.500	63.5	55.9	1.3 - 2.2	1.5 - 1.8	500
TRCG-3.300	83.8	76.2	1.3 - 2.2	1.5 - 1.8	500
TRCG-3.925	99.7	92.1	1.3 - 2.2	1.5 - 1.8	500
TRCG-6.675	169.6	161.9	1.3 - 2.2	1.5 - 1.8	500

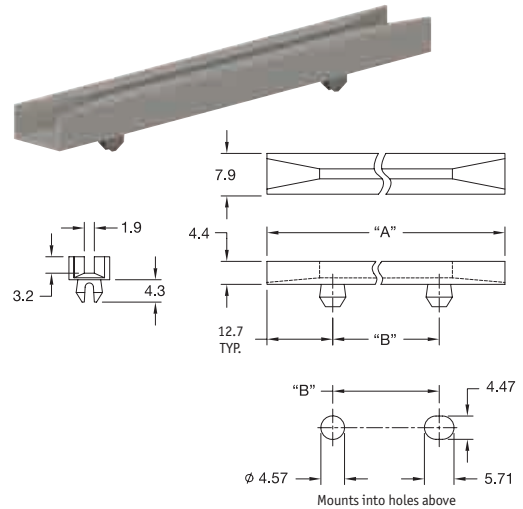
Snap-In Card Guide

RSDC

Natural UL94 V2 Nylon 6/6, RMS-48

- Tapered on both ends to ease insertion of a PCB board
- Tension guides support PCB boards horizontally into tight spaces like a PCB rack

Part Number	Dimensions (mm)				Standard Pack Quantity
	"A"	"B"	Accepts PCB Thickness	Mounting Hole Panel Thickness	
RSDC-250	63.5	38.1	1.6	1.2 - 2.3	500
RSDC-300	76.2	50.8	1.6	1.2 - 2.3	500
RSDC-350	88.9	63.5	1.6	1.2 - 2.3	500
RSDC-400	101.6	76.2	1.6	1.2 - 2.3	500
RSDC-450	114.3	88.9	1.6	1.2 - 2.3	500
RSDC-500	127.0	101.6	1.6	1.2 - 2.3	500
RSDC-550	139.7	114.3	1.6	1.2 - 2.3	500
RSDC-600	152.4	127.0	1.6	1.2 - 2.3	500
RSDC-650	164.1	139.7	1.6	1.2 - 2.3	500
RSDC-700	177.8	152.4	1.6	1.2 - 2.3	500
RSDC-750	190.5	165.1	1.6	1.2 - 2.3	500
RSDC-800	203.2	177.8	1.6	1.2 - 2.3	500



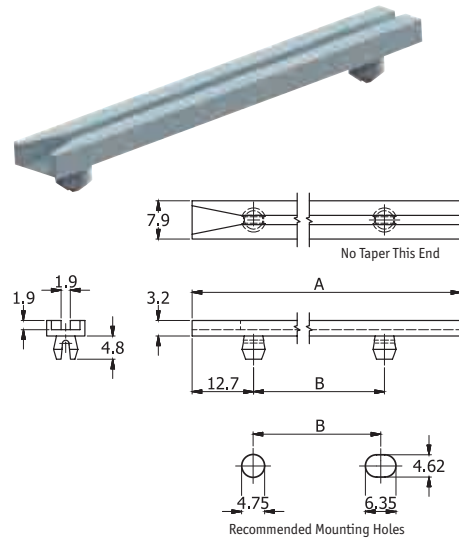
Snap-In Card Guide

RSFS

Natural UL94 V2 Nylon 6/6, RMS-48

- Tapered at one end to ease insertion of a PCB board whilst providing a tidy finished appearance
- Tension guides support PCB boards horizontally into tight spaces like a PCB rack

Part Number	Dimensions (mm)				Standard Pack Quantity
	"A"	"B"	Accepts PCB Thickness	Mounting Hole Panel Thickness	
RSFS-250	63.5	38.1	1.6	1.2 - 2.3	500
RSFS-300	76.2	50.8	1.6	1.2 - 2.3	500
RSFS-350	88.9	63.5	1.6	1.2 - 2.3	500
RSFS-400	101.6	76.2	1.6	1.2 - 2.3	500
RSFS-450	114.3	76.2	1.6	1.2 - 2.3	500
RSFS-451	114.3	88.9	1.6	1.2 - 2.3	500
RSFS-500	127.0	101.6	1.6	1.2 - 2.3	500
RSFS-550	139.7	114.3	1.6	1.2 - 2.3	500
RSFS-600	152.4	127.0	1.6	1.2 - 2.3	500
RSFS-700	177.8	152.4	1.6	1.2 - 2.3	500
RSFS-800	203.2	177.8	1.6	1.2 - 2.3	500



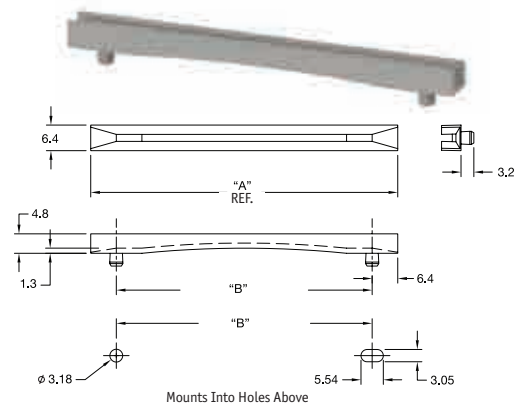
Rack Card Guide

RCG

Natural UL94 V2 Nylon 6/6, RMS-01

- Tapered on both ends to ease insertion of a PCB board
- Tension guides support PCB boards horizontally into tight spaces like a PCB rack

Part Number	Dimensions (mm)				Standard Pack Quantity
	"A"	"B"	Accepts PCB Thickness	Mounting Hole Panel Thickness	
RCG-1	76.2	63.5	1.6	1.6	500
RCG-2	101.6	88.9	1.6	1.6	500
RCG-3	152.4	139.7	1.6	1.6	500
RCG-4	215.9	203.2	1.6	1.6	500

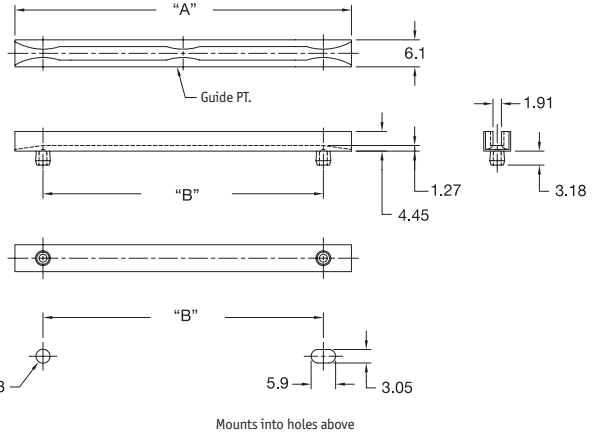


CARD GUIDES AND PULLERS

Rack Card Guide Type H

RCGH

Natural UL94 V2 Nylon 6/6, RMS-01

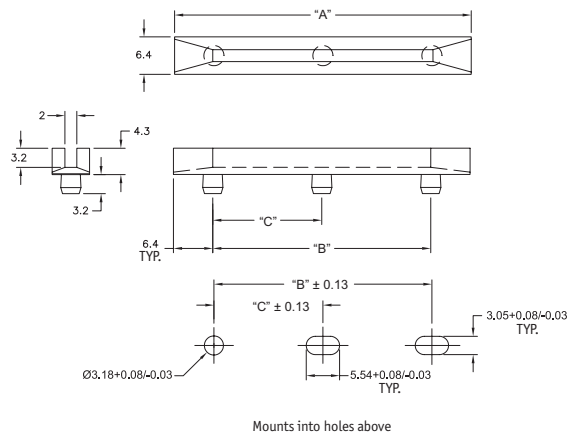


Part Number	Dimensions (mm)				Standard Pack Quantity
	"A" Ref.	"B"	Accepts PCB Thickness	Mounting Hole Panel Thickness	
RCGH-25	63.5	50.8	2	1.6	500
RCGH-30	76.2	63.5	3	1.6	500
RCGH-35	88.9	76.2	3	1.6	500
RCGH-40	101.6	88.9	4	1.6	500
RCGH-45	114.3	101.6	4	1.6	500
RCGH-50	127	114.3	4	1.6	500
RCGH-55	139.7	127	5	1.6	500
RCGH-60	152.4	139.7	5	1.6	500

Narrow Card Guide

RN

Natural UL94 V2 Nylon 6/6, RMS-48

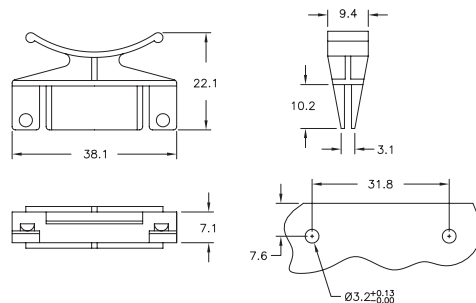


Part Number	Dimensions (mm)				Standard Pack Quantity
	"A"	"B" Ref.	"C"	Accepts PCB Thickness	
RN-250-2	63.5	50.8	-	1.6	500
RN-300-2	76.2	63.5	-	1.6	500
RN-350-2	88.9	76.2	-	1.6	500
RN-400-2	101.6	88.9	-	1.6	500
RN-450-2	114.3	101.6	-	1.6	500
RN-500-2	127	114.3	-	1.6	500
RN-550-2	139.7	127	-	1.6	500
RN-600-2	152.4	139.7	-	1.6	500
RN-650-2	164.1	152.4	-	1.6	500
RN-700-3	177.8	164.1	82.2	1.6	500
RN-750-3	190.5	177.8	88.5	1.6	500
RN-800-3	203.2	190.5	94.9	1.6	500
RN-850-3	215.9	203.2	101.6	1.6	500

Circuit Board Puller

CCP

Natural Nylon 6/6, RMS-01



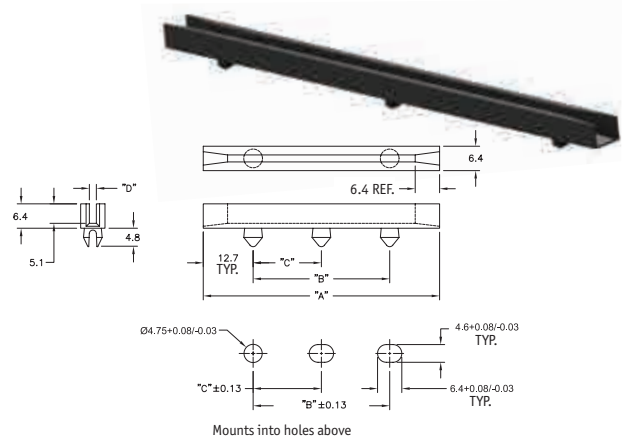
Part Number	Accepts PCB Thickness (mm)	Standard Pack Quantity
CCP-1-01	1.6	500

Deep Channel Card Guide

RDC

Black UL94-V0 Nylon

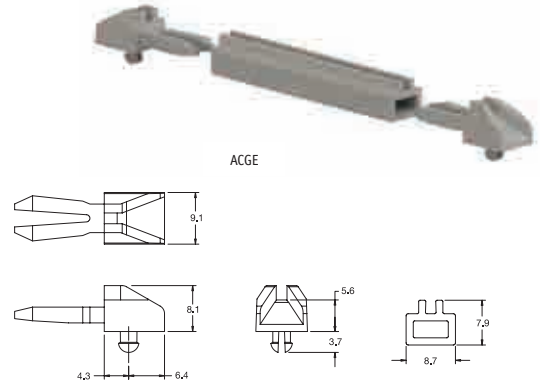
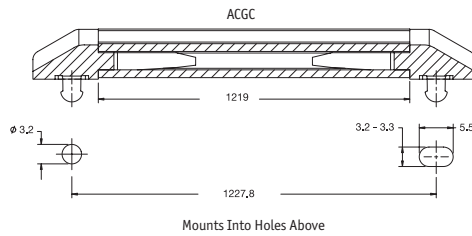
Part Number	Dimensions (mm)						Standard Pack Quantity
	"A" Ref	"B"	"C"	"D"	Accepts PCB Thickness	Mounting Hole Panel Thickness	
RDC-250	63.5	38.1	-	2.0	1.6	1.2 - 2.3	500
RDC-450	114.3	88.9	-	2.0	1.6	1.2 - 2.3	500
RDC-600	152.4	127.0	-	2.0	1.6	1.2 - 2.3	500
RDC-800	203.2	177.8	88.9	2.0	1.6	1.2 - 2.3	500
RDC-450-102	114.3	88.9	-	2.6	2.4	1.2 - 2.3	500
RDC-600-102	152.4	127.0	-	2.6	2.4	1.2 - 2.3	500
RDC-800-102	203.2	177.8	88.9	2.6	2.4	1.2 - 2.3	500
RDC-450-130	114.3	88.9	-	3.4	3.2	1.2 - 2.3	500
RDC-600-130	152.4	127.0	-	3.4	3.2	1.2 - 2.3	500
RDC-800-130	203.2	177.8	88.9	3.4	3.2	1.2 - 2.3	500



Adjustable Card Guide

ACGC/ACGE

Natural PVC UL94/V0 RMS-04



Part Number	Description	Material	Dimensions (mm)		Standard Pack Quantity
			Accepts PCB Thickness	Mounting Hole Panel Thickness	
ACGE-01	End Pieces	UL94 V2 Nylon 6/6. RMS-01	1.6	1.6	100
ACGC-4800	Channel	UL94 V0 PVC. RMS-04	1.6	1.6	25 lengths of 1.2 metre

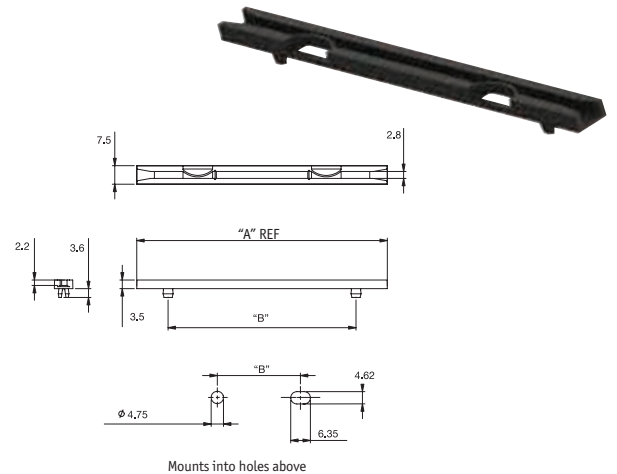
Electrostatic Card Guide

MPCGCN

Black Conductive Compound, Nylon 6, RMS-392

- Moulded from conductive compound material
- Surface Resistivity: $10^3 \Omega/\text{sq}$
- Prevents static build up

Part Number	Dimensions (mm)				Standard Pack Quantity
	"A" Ref.	"B"	Accepts PCB Thickness	Mounting Hole Panel Thickness	
MPCGCN-250	63.5	38.1	0.8-2	0.5-2	500
MPCGCN-300	76.2	50.8	0.8-2	0.5-2	500
MPCGCN-400	101.6	76.2	0.8-2	0.5-2	500
MPCGCN-550	139.7	114.4	0.8-2	0.5-2	500

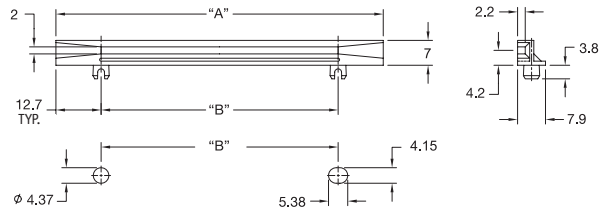


CARD GUIDES AND PULLERS

Single Sided Horizontal Card Guide

RSSHG

Black UL94 V0 Nylon 6/6, RMS-66



Mounts into holes above

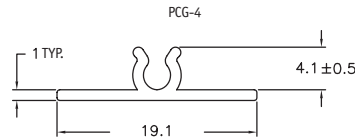
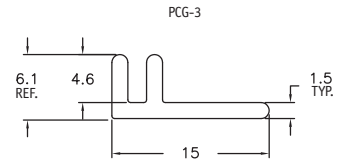
Part Number	Dimensions (mm)			Standard Pack Quantity
	"A"	"B"	Accepts PCB Thickness	
RSSHG-201-165	50.8	25.4	1.6	500
RSSHG-251-165	63.5	38.1	1.6	500
RSSHG-301-165	76.2	50.8	1.6	500
RSSHG-351-165	88.9	63.5	1.6	500
RSSHG-401-165	101.6	76.2	1.6	500
RSSHG-451-165	114.3	88.9	1.6	500
RSSHG-501-165	127.0	101.6	1.6	500
RSSHG-601-165	152.4	127	1.6	500

Printed Circuit Guide

PCG

Grey Rigid PVC, RMS-193

Standard Pack: Approx 30m; 25 pieces x 1.2 metre



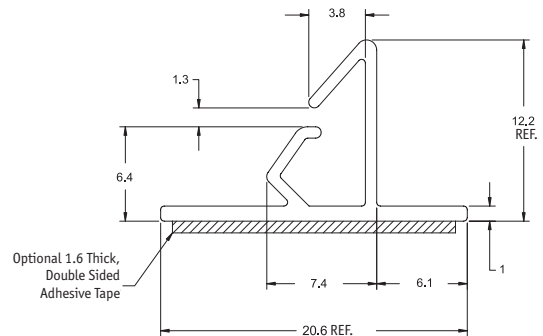
Part Number	Adhesive	Accepts PCB Thickness (mm)	Standard Pack Quantity
PCG-3-48	-	1.6	25
PCG-3A4-48	RMS-93	1.6	25
PCG-4A4-48	RMS-93	1.6	25

Board Mounting Strip

BMS

Black UL94 V0 PVC, RMS-488

Standard Pack: Approx 30m; 25 pieces x 1.2 metre

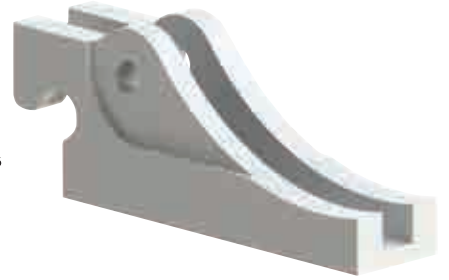
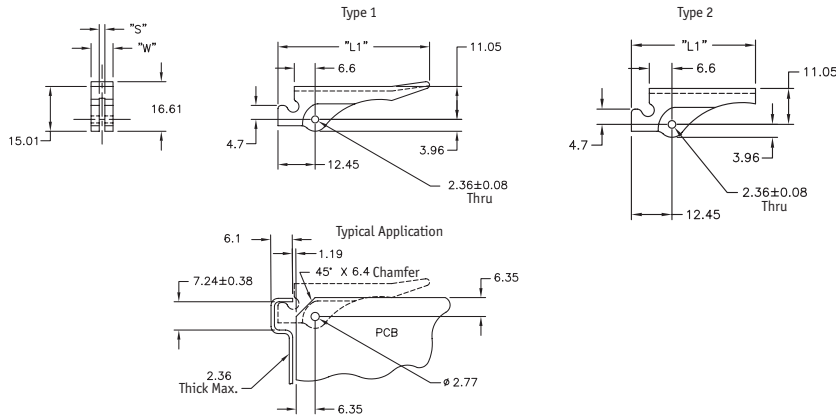


Part Number	Adhesive	Standard Pack Quantity
BMS-S-48	-	25
BMS-SA5-48	Acrylic, RMS-359	25

PCB Inserter/Extractor

R1107

Natural UL94 V0 Glass Filled Nylon 11, RMS-222



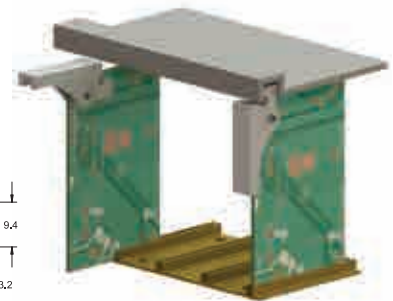
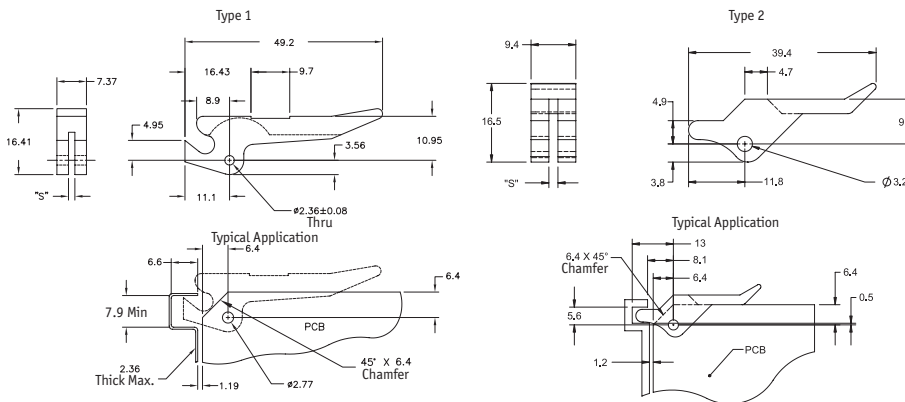
Part Number	Type	Dimensions (mm)				Installation pin*.	Standard Pack Quantity
		"S"	"W"	"L1"	PCB Thickness		
R1107-062	1	1.9	7.4	50.8	1.6	RMS-224	100
R11073-062	1	1.9	8.9	50.8	1.6	RRP-250	100
R11073-093	1	2.5	8.9	50.8	2.4	RRP-312	100
R110710-062	2	1.9	7.4	38.1	1.6	RRP-312	100
R1107310-093	2	2.5	8.9	38.1	2.4	RRP-250	100

*Installation pins are sold separately

PCB Inserter/Extractor

R1001/R1002/R1209

Natural UL94 V2 Nylon 6/6, RMS-48



Part Number	Type	Dimensions (mm)			Installation Pin*	Standard Pack Quantity
		"S"	PCB Thickness			
R1001-062	1	1.9	1.6		RRP-250	100
R1209-062	2	1.9	1.6		RRP-375	100
R1209-093	2	2.5	2.4		RRP-375	100

* Installation pins are sold separately

CARD GUIDES AND PULLERS

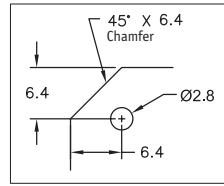
Card Ejector

RCP

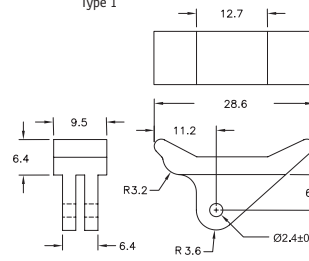
White UL94 V2 Nylon 6/6, RMS-48



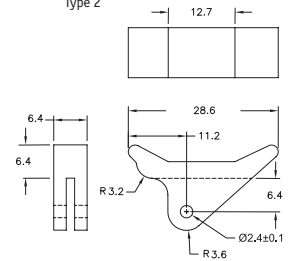
All RCP Series Parts
Mount Into Hole Below
See Table for PCB
Thickness Accepted



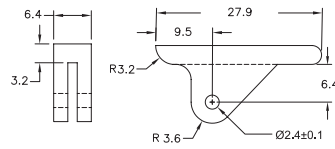
Type 1



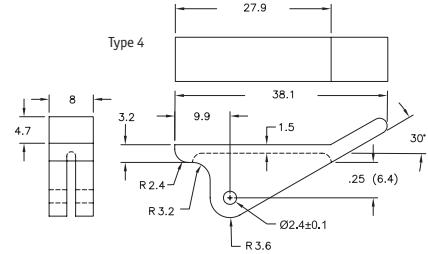
Type 2



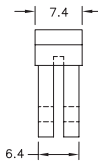
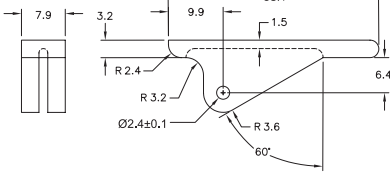
Type 3



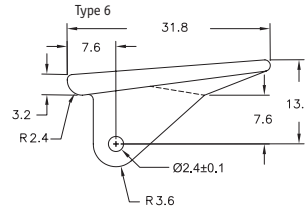
Type 4



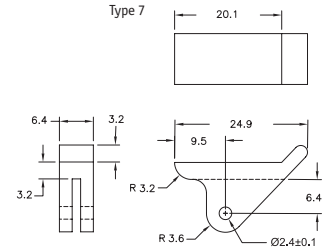
Type 5



Type 6



Type 7

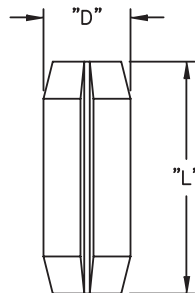


Part Number	Type	Accepts PCB Thickness (mm)	Installation pin (Supplied), RMS-224	Standard Pack Quantity
RCP-06	1	1.6	RRP-250	500
RCP-09	1	2.4	RRP-250	500
RCP-26	2	1.6	RRP-250	500
RCP-36	3	1.6	RRP-250	500
RCP-46	4	1.6	RRP-312	500
RCP-56	5	1.6	RRP-312	500
RCP-66	6	1.6	RRP-250	500
RCP-86	7	1.6	RRP-250	500
RCP-89	7	2.4	RRP-250	500

PCB Inserter/Extractor Installation Pin

RRP

- 302 Stainless Steel, RMS-320



Part Number	Dimensions (mm)		Standard Pack Quantity
	"D"	"L"	
RRP-250	2.4	6.4	100
RRP-312	2.4	8	100
RRP-375	3.2	9.5	100

For use with card ejectors – please see range RCP (above) for compatibility

KEEPING YOU CONNECTED

- Introducing Essentra Components' new range of Cable Terminals, available in nine different styles
- Cable terminals are ideal for covering wires to keep them intact and providing the best possible connection to your power source
- See pages 346–353



**TUBULAR RING
TERMINALS**

Page 346



**SPADE
TERMINALS**

Page 349



**UNINSULATED
CORD END
TERMINALS**

Page 350



**INSULATED RING
TERMINALS**

Page 352



**INSULATED CORD
END TERMINALS**

Page 353

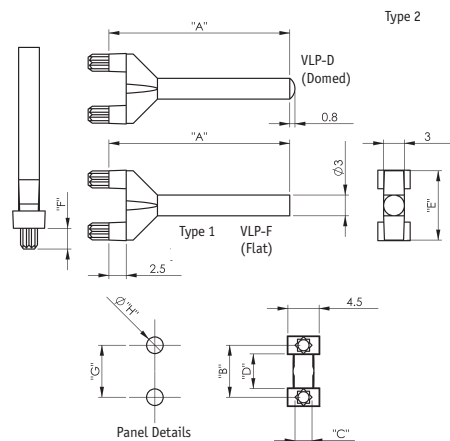
Call 0845 758 5070

www.essentracomponents.co.uk

Vertical Light Pipes

VLP

Clear UL94 V0 Polycarbonate, RMS-23



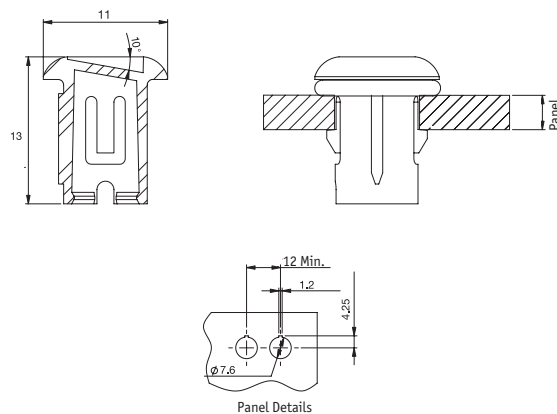
Part Number	Type	Dimensions (mm)								Panel Thickness	Standard Pack Quantity
		"A"	"B"	"C"	"D"	"E"	"F"	"G"	"H" ± 0.05		
VLP1-F-1	1	12.7	4.7	1.5	3	6.4	2.5	4.7	1.5	0.8-3	1000
VLP1-F-3	1	16.5	4.7	1.5	3	6.4	2.5	4.7	1.5	0.8-3	1000
VLP1-F-4	1	21.8	4.7	1.5	3	6.4	2.5	4.7	1.5	0.8-3	1000
VLP1-F-5	1	26.1	4.7	1.5	3	6.4	2.5	4.7	1.5	0.8-3	1000
VLP2-F-1	1	12.7	7.5	2.45	5	10	3	7.5	2.4	0.8-3	1000
VLP2-F-2	1	15	7.5	2.45	5	10	3	7.5	2.4	0.8-3	1000
VLP2-F-3	1	16.5	7.5	2.45	5	10	3	7.5	2.4	0.8-3	1000
VLP2-F-4	1	21.8	7.5	2.45	5	10	3	7.5	2.4	0.8-3	1000
VLP2-F-5	1	26.1	7.5	2.45	5	10	3	7.5	2.4	0.8-3	1000
VLP2-F-6	1	55	7.5	2.45	5	10	3	7.5	2.4	0.8-3	1000
VLP1-D-1	2	12.7	4.7	1.5	3	6.4	2.5	4.7	1.5	0.8-3	1000
VLP1-D-3	2	16.5	4.7	1.5	3	6.4	2.5	4.7	1.5	0.8-3	1000
VLP1-D-4	2	21.8	4.7	1.5	3	6.4	2.5	4.7	1.5	0.8-3	1000
VLP1-D-5	2	26.1	4.7	1.5	3	6.4	2.5	4.7	1.5	0.8-3	1000
VLP2-D-1	2	12.7	7.5	2.45	5	10	3	7.5	2.4	0.8-3	1000
VLP2-D-3	2	16.5	7.5	2.45	5	10	3	7.5	2.4	0.8-3	1000
VLP2-D-4	2	21.8	7.5	2.45	5	10	3	7.5	2.4	0.8-3	1000
VLP2-D-5	2	26.1	7.5	2.45	5	10	3	7.5	2.4	0.8-3	1000
VLP2-D-6	2	55	7.5	2.45	5	10	3	7.5	2.4	0.8-3	1000

LED Lens Cover

LEDC

Clear Polycarbonate, RMS-215

- Cover supplied with standard 10° angled lens.

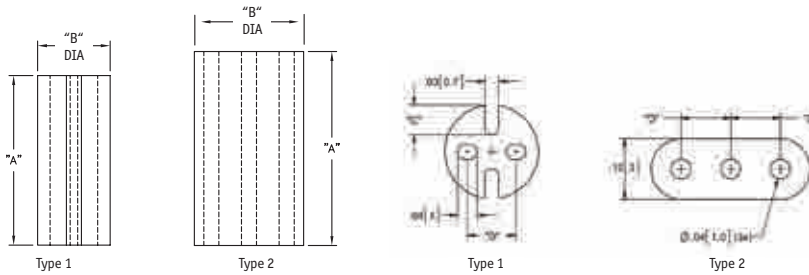


Part Number	Details	Mounting Hole Ø (mm)	Panel Thickness	O-Ring Material	Fits LED	Standard Pack Quantity
LEDC-1	Cover	7.6	4.5	-	T1¾ (5mm)	1000
LEDC-2	Cover with O-Ring	7.6	3	Black Neoprene Rubber, RMS-279	T1¾ (5mm)	1000

LED Spacers

LEDS1/LEDS2/LEDS3

PVC, RMS-317/RMS-26

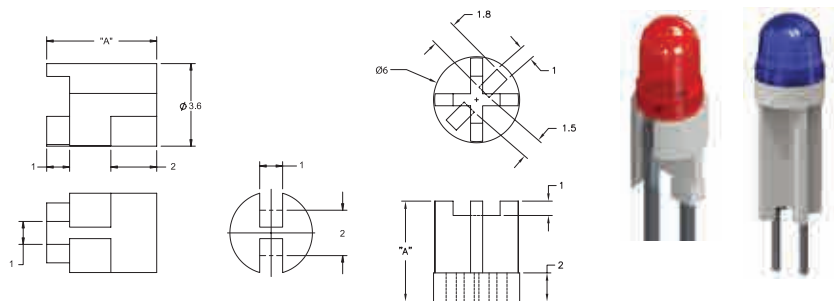


Part Number	Type	Fits LED	Dimensions (mm)				Material	Standard Pack Quantity
			"A" ±.020	"B" ±.020	"C"	"D" Ref.		
LEDS1-3-26	1	T1 (3mm)	4.8	4	1.2	1.5	PVC, RMS-317	1000
LEDS1-4-26	1	T1 (3mm)	6.4	4	1.2	1.5	PVC, RMS-317	1000
LEDS1-6-26	1	T1 (3mm)	9.5	4	1.2	1.5	PVC, RMS-317	1000
LEDS1-8-26	1	T1 (3mm)	12.7	4	1.2	1.5	PVC, RMS-317	1000
LEDS1-10-26	1	T1 (3mm)	15.9	4	1.2	1.5	PVC, RMS-317	1000
LEDS1-12-26	1	T1 (3mm)	19.1	4	1.2	1.5	PVC, RMS-317	1000
LEDS1-14-26	1	T1 (3mm)	22.2	4	1.2	1.5	PVC, RMS-317	1000
LEDS2-3-26	1	T1½ (5mm)	4.8	4.8	1.5	2.5	PVC, RMS-317	1000
LEDS2-4-26	1	T1½ (5mm)	6.4	4.8	1.5	2.5	PVC, RMS-317	1000
LEDS2-6-26	1	T1½ (5mm)	9.5	4.8	1.5	2.5	PVC, RMS-317	1000
LEDS2-8-26	1	T1½ (5mm)	12.7	4.8	1.5	2.5	PVC, RMS-317	1000
LEDS2-10-26	1	T1½ (5mm)	15.9	4.8	1.5	2.5	PVC, RMS-317	1000
LEDS2-12-26	1	T1½ (5mm)	19.1	4.8	1.5	2.5	PVC, RMS-317	1000
LEDS2-14-26	1	T1½ (5mm)	22.2	4.8	1.5	2.5	PVC, RMS-317	1000
LEDS3-3-26	2	T1 (3mm) & T1½ (5mm)	4.8	8.1	-	2.5	PVC, RMS-26	1000
LEDS3-4-26	2	T1 (3mm) & T1½ (5mm)	6.4	8.1	-	2.5	PVC, RMS-26	1000
LEDS3-6-26	2	T1 (3mm) & T1½ (5mm)	9.5	8.1	-	2.5	PVC, RMS-26	1000
LEDS3-8-26	2	T1 (3mm) & T1½ (5mm)	12.7	8.1	-	2.5	PVC, RMS-26	1000
LEDS3-10-26	2	T1 (3mm) & T1½ (5mm)	15.9	8.1	-	2.5	PVC, RMS-26	1000
LEDS3-12-26	2	T1 (3mm) & T1½ (5mm)	19.1	8.1	-	2.5	PVC, RMS-26	1000

LED Spacers

LEDS1E/LEDS2E

Natural, Nylon 6/6 RMS-01/RMS-19

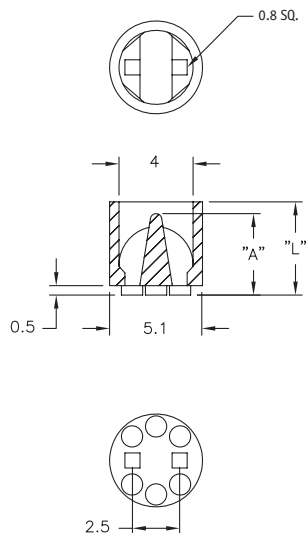


Part Number		Fits LED	Part Number		Fits LED	"A" (mm)	Standard Pack Quantity
UL94 V2 Nylon 6/6, RMS-01	UL94 V0 Nylon 6/6, RMS-19		UL94 V2 Nylon 6/6, RMS-01	UL94 V0 Nylon 6/6, RMS-19			
LEDS1E-3-01	LEDS1E-3-19	T1 (3mm)	LEDS2E-3-01	LEDS2E-3-19	T1½ (5mm)	4.8	1000
LEDS1E-4-01	LEDS1E-4-19	T1 (3mm)	LEDS2E-4-01	LEDS2E-4-19	T1½ (5mm)	6.4	1000
LEDS1E-6-01	LEDS1E-6-19	T1 (3mm)	LEDS2E-6-01	LEDS2E-6-19	T1½ (5mm)	9.5	1000
LEDS1E-8-01	LEDS1E-8-19	T1 (3mm)	LEDS2E-8-01	LEDS2E-8-19	T1½ (5mm)	12.7	1000
LEDS1E-10-01	LEDS1E-10-19	T1 (3mm)	LEDS2E-10-01	LEDS2E-10-19	T1½ (5mm)	15.9	1000
LEDS1E-12-01	LEDS1E-12-19	T1 (3mm)	LEDS2E-12-01	LEDS2E-12-19	T1½ (5mm)	19.1	1000
LEDS1E-14-01	LEDS1E-14-19	T1 (3mm)	LEDS2E-14-01	LEDS2E-14-19	T1½ (5mm)	22.2	1000
LEDS1E-16-01	LEDS1E-16-19	T1 (3mm)	LEDS2E-16-01	LEDS2E-16-19	T1½ (5mm)	25.4	1000

LED Spacer

LEDS2M

Natural Nylon 6/6 RMS 01

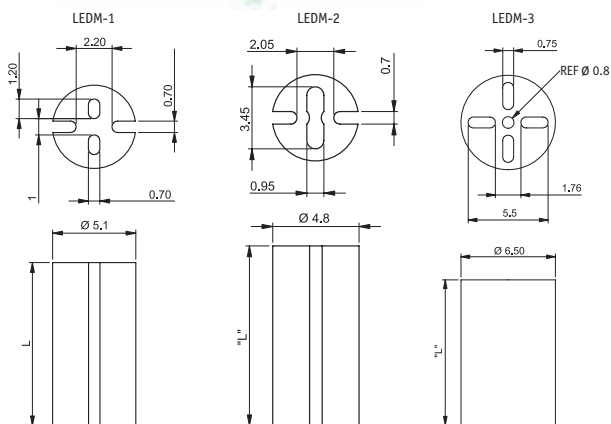


Part Number	"L"	"A" Ref	Fits LED	Standard Pack Quantity
LEDS2M-120-01	3.1	2	T1¼ (5mm)	1000
LEDS2M-140-01	3.6	2	T1¼ (5mm)	1000
LEDS2M-160-01	4.1	2	T1¼ (5mm)	1000
LEDS2M-180-01	4.5	2	T1¼ (5mm)	1000
LEDS2M-200-01	5.1	2	T1¼ (5mm)	1000
LEDS2M-220-01	5.6	2	T1¼ (5mm)	1000
LEDS2M-240-01	6.1	2	T1¼ (5mm)	1000
LEDS2M-250-01	6.4	5.1	T1¼ (5mm)	1000
LEDS2M-260-01	6.6	5.1	T1¼ (5mm)	1000
LEDS2M-280-01	7.1	5.1	T1¼ (5mm)	1000
LEDS2M-300-01	7.8	5.1	T1¼ (5mm)	1000
LEDS2M-320-01	8.1	5.1	T1¼ (5mm)	1000
LEDS2M-340-01	8.6	5.1	T1¼ (5mm)	1000
LEDS2M-360-01	9.1	5.1	T1¼ (5mm)	1000
LEDS2M-380-01	9.7	8.4	T1¼ (5mm)	1000
LEDS2M-400-01	10.2	8.4	T1¼ (5mm)	1000
LEDS2M-420-01	10.7	8.4	T1¼ (5mm)	1000
LEDS2M-440-01	11.2	8.4	T1¼ (5mm)	1000
LEDS2M-450-01	11.4	8.4	T1¼ (5mm)	1000
LEDS2M-460-01	11.7	8.4	T1¼ (5mm)	1000
LEDS2M-500-01	12.7	11.4	T1¼ (5mm)	1000
LEDS2M-550-01	14	11.4	T1¼ (5mm)	1000
LEDS2M-600-01	15.2	11.4	T1¼ (5mm)	1000
LEDS2M-650-01	16.5	14.7	T1¼ (5mm)	1000
LEDS2M-750-01	19.1	17.8	T1¼ (5mm)	1000
LEDS2M-850-01	21.6	17.8	T1¼ (5mm)	1000
LEDS2M-900-01	22.9	17.8	T1¼ (5mm)	1000

High Temperature Metric LED Spacers

LEDM

Black PVC RMS-388



Part Number			"L" (mm)	Standard Pack Quantity
Fits LED T-1¼ (5mm)	Fits LED T-1 (3mm)	Fits LED T-1¼ (5mm)		
LEDM-1-02	LEDM-2-02	LEDM-3-02	2	1000
LEDM-1-03	LEDM-2-03	LEDM-3-03	3	1000
LEDM-1-04	LEDM-2-04	LEDM-3-04	4	1000
LEDM-1-05	LEDM-2-05	LEDM-3-05	5	1000
LEDM-1-06	LEDM-2-06	LEDM-3-06	6	1000
LEDM-1-07	LEDM-2-07	LEDM-3-07	7	1000
LEDM-1-08	LEDM-2-08	LEDM-3-08	8	1000
LEDM-1-09	LEDM-2-09	LEDM-3-09	9	1000
LEDM-1-10	LEDM-2-10	LEDM-3-10	10	1000
LEDM-1-11	LEDM-2-11	LEDM-3-11	11	1000
LEDM-1-12	LEDM-2-12	LEDM-3-12	12	1000
LEDM-1-13	LEDM-2-13	LEDM-3-13	13	1000
LEDM-1-14	LEDM-2-14	LEDM-3-14	14	1000
LEDM-1-15	LEDM-2-15	LEDM-3-15	15	1000
LEDM-1-16	LEDM-2-16	LEDM-3-16	16	1000
LEDM-1-17	LEDM-2-17	LEDM-3-17	17	1000
LEDM-1-18	LEDM-2-18	LEDM-3-18	18	1000
LEDM-1-19	LEDM-2-19	LEDM-3-19	19	1000
LEDM-1-20	LEDM-2-20	LEDM-3-20	20	1000
LEDM-1-21	LEDM-2-21	LEDM-3-21	21	1000
LEDM-1-22	LEDM-2-22	LEDM-3-22	22	1000
LEDM-1-23	LEDM-2-23	LEDM-3-23	23	1000
LEDM-1-24	LEDM-2-24	LEDM-3-24	24	1000
LEDM-1-25	LEDM-2-25	LEDM-3-25	25	1000
LEDM-1-26	LEDM-2-26	LEDM-3-26	26	1000
LEDM-1-27	LEDM-2-27	LEDM-3-27	27	1000
LEDM-1-28	LEDM-2-28	LEDM-3-28	28	1000
LEDM-1-29	LEDM-2-29	LEDM-3-29	29	1000
LEDM-1-30	LEDM-2-30	LEDM-3-30	30	1000

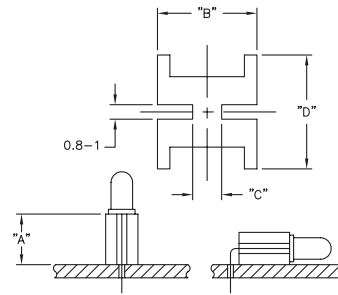
Square LED Spacers

SQLEDS

Black UL94 V0 PVC, RMS-26

- Horizontal or vertical mounting

Part Number	Fits LED	Dimensions (mm)				Standard Pack Quantity
		"A" ± 0.5	"B"	"C"	"D" Ref	
SQLEDS1-4-26	T1 (3mm)	6.4	4.3	0.8	4.3	1000
SQLEDS1-6-26	T1 (3mm)	9.5	4.3	0.8	4.3	1000
SQLEDS2-4-26	T1½ (5mm)	6.4	6.1	1.8	6.9	1000
SQLEDS2-6-26	T1½ (5mm)	9.5	6.1	1.8	6.9	1000
SQLEDS2-8-26	T1½ (5mm)	12.7	6.1	1.8	6.9	1000
SQLEDS2-12-26	T1½ (5mm)	19.1	6.1	1.8	6.9	1000

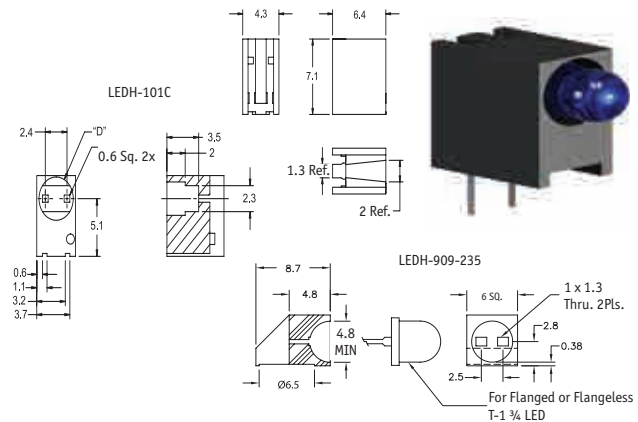


LED Holder

LEDH

Black UL94 V0 Nylon 6/6, RMS-43

Part Number	Ø "D" (mm)	Fits LED	Standard Pack Quantity
LEDH-101C-34	3.4	T1 (3mm)	1000
LEDH-101C-38	3.8	T1 (3mm)	1000



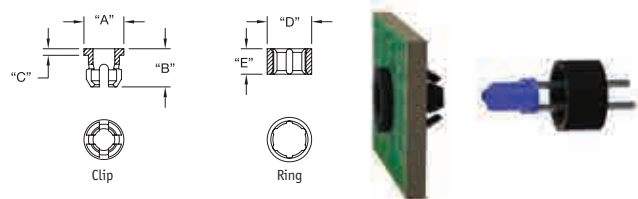
Black UL94 V2 Nylon 6/6, RMS-48

Part Number	Fits LED	Standard Pack Quantity
LEDH-909-235	T1½ (5mm)	1000

LED Clips & Rings

LEDCR

- The devices go together by simply inserting the "clip" to the front of the panel, then assembling the LED into the "clip" from the rear of the panel. The "ring" is pressed onto the rear of the "clip" for a firm retention
- Black



Part Number	Ring Material	Clip Material	LED Type	Mounting Hole	Panel Thickness	Dimensions (mm)					Standard Pack Quantity
						"A" Ø	"B"	"C"	"D" Ø	"E"	
LEDCR-104	UL94 V0 Nylon 6/6, RMS-43	UL94 V0 Nylon 6/6, RMS-43	T1 (3mm)	4.4 - 4.6	0.8 - 3.2	5.3	5.3	0.38	6.1	3.6	1000
LEDCR-174	UL94 V2 Nylon 6/6, RMS-48	UL94 V0 Nylon 6/6, RMS-43	T1 ½ (5mm)	6.8 - 6.9	0.8 - 3.2	7.6	6.6	0.76	8.9	4.1	1000

LED Holder Panel Mount

LEDHPM

- Natural UL94 V2 Nylon 6/6, RMS-01

Part Number	Mounting Hole Ø	Panel Thickness	Fits LED	Standard Pack Quantity
LEDHPM-1	7.14 - 7.29	1.12 - 1.22	T1 ½ (5mm)	1000

