

ACCESS SOLUTIONS

- Suitable for a range of applications including cabinet manufacture, machine building, HVAC, power generators and more
- IP65 and stainless steel parts stocked for your outdoor build needs
- Secure assets such as data and other internal components with our economical options, regardless of project size



REQUEST OUR
**ACCESS
SOLUTIONS
CATALOGUE**



378



398



400



408



415



427



440



446



455



472



475



479



486



489



498



506

MORE THAN
2,100
LOCKS, LATCHES,
CATCHES AND
HINGES
PRODUCTS
AVAILABLE

LOCKS, LATCHES, CATCHES AND HINGES



LOCKS

376



HVAC ACCESSORIES

413



DISPLAY LOCKS

415



COMPRESSION LOCKS

421



LATCHES AND CATCHES

435



MAGNETIC CATCHES
AND COUNTER PLATES

446



STRIKERS

453



HINGES

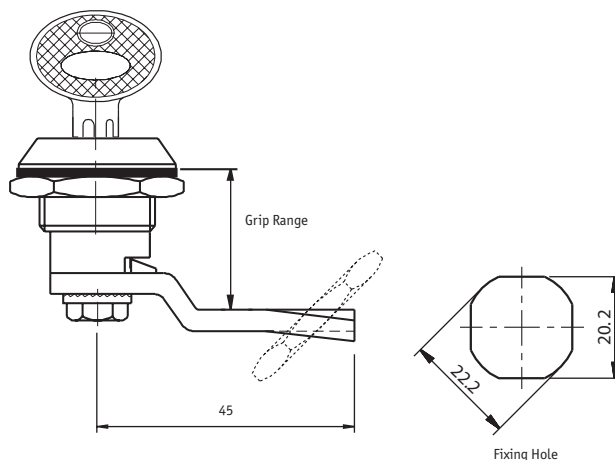
455

Cylinder Cam Locks

SR 5516

Die-Cast Zinc Alloy

- Keyed Alike/Keyed Different/Master key options
- Master Key version is keyed different with a Master Key that will open all locks
- Master key must be ordered separately
- Two keys supplied with every lock



Chrome Plated Die-Cast Zinc Housing



Black Powder Coated Die-Cast Zinc Housing



Polyamide 30% Glass Fibre Reinforced Housing



Chrome Plated Die-Cast Zinc Housing

Keyed Alike	Keyed to Differ	Master Key System	Grip Range (mm)	Standard Pack Quantity
063110561E	063113261E	063110461E	8	50
063110539E	063113239E	063110439E	14	50
063110537E	063113237E	063110437E	18	50
063110530E	063113230E	06344059E	20	50
063110533E	063113233E	063110433E	24	50
063110534E	063113234E	063110434E	26	50

Black Powder Coated Die-Cast Zinc Housing

Part Number			Grip Range (mm)	Standard Pack Quantity
Keyed Alike	Keyed to Differ	Master Key System		
063120561E	063123261E	063120461E	8	50
063120539E	063123239E	063120439E	14	50
063120537E	063123237E	063120437E	18	50
063120530E	063123230E	063120430E	20	50
063120533E	063123233E	063120433E	24	50
063120534E	063123234E	063120434E	26	50

Polyamide 30% Glass Fibre Reinforced Housing – with Euro Key 5333

Part Number	Grip Range (mm)	Standard Pack Quantity
063200561E	8	50
063200539E	14	50
063200537E	18	50
063200530E	20	50
063200533E	24	50
063200534E	26	50

Master Key

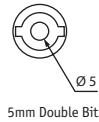
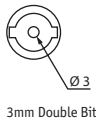
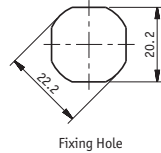
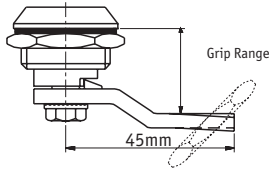
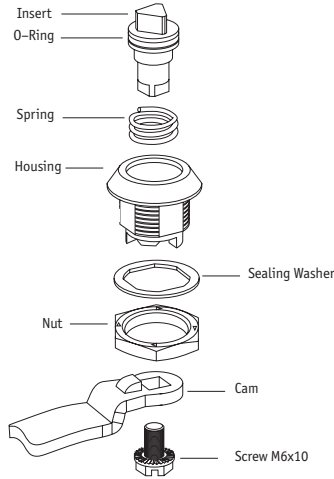
Part Number	Description	Standard Pack Quantity
30204041E	Master Key	100

IP65 Quarter Turn Latches with Spring

SR 5530

Die-Cast Zinc Alloy

- Ideal for use on electrical cabinets and enclosures
- Six headstyles and six grip ranges available



Part Number			Head Style	Grip Range (mm)	Standard Pack Quantity
Chrome Plated	Black Powder Coated	PA Housing			
06011360E	060121360E	060201360E	3mm Double Bit	8.5	50
06011338E	060121338E	060201338E	3mm Double Bit	14.5	50
06011330E	060121330E	060201330E	3mm Double Bit	18.5	50
06011334E	060121334E	060201334E	3mm Double Bit	24.5	50
06011336E	060121336E	060201336E	3mm Double Bit	26.5	50
06011347E	060121347E	060201347E	3mm Double Bit	28.5	50
06011560E	060121560E	060201560E	5mm Double Bit	8.5	50
06011538E	060121538E	060201538E	5mm Double Bit	14.5	50
06011530E	060121530E	060201530E	5mm Double Bit	18.5	50
06011534E	060121534E	060201534E	5mm Double Bit	24.5	50
06011536E	060121536E	060201536E	5mm Double Bit	26.5	50
06011547E	060121547E	060201547E	5mm Double Bit	28.5	50
060112860E	060122860E	060202860E	8mm Square	8.5	50
060112838E	060122838E	060202838E	8mm Square	14.5	50
060112830E	060122830E	060202830E	8mm Square	18.5	50
060112834E	060122834E	060202834E	8mm Square	24.5	50
060112836E	060122836E	060202836E	8mm Square	26.5	50
060112847E	060122847E	060202847E	8mm Square	28.5	50
060113760E	-	-	7mm Triangle	8.5	50
060113738E	-	-	7mm Triangle	14.5	50
060113730E	-	-	7mm Triangle	18.5	50
060113734E	-	-	7mm Triangle	24.5	50
060113736E	-	-	7mm Triangle	26.5	50
060113747E	-	-	7mm Triangle	28.5	50
060113860E	060123860E	060203860E	8mm Triangle	8.5	50
060113838E	060123838E	060203838E	8mm Triangle	14.5	50
060113830E	060123830E	060203830E	8mm Triangle	18.5	50
060113834E	060123834E	060203834E	8mm Triangle	24.5	50
060113836E	060123836E	060203836E	8mm Triangle	26.5	50
060113847E	060123847E	060203847E	8mm Triangle	28.5	50
060114260E	060124260E	060204260E	Slotted	8.5	50
060114238E	060124238E	060204238E	Slotted	14.5	50
060114230E	060124230E	060204230E	Slotted	18.5	50
060114234E	060124234E	060204234E	Slotted	24.5	50
060114236E	060124236E	060204236E	Slotted	26.5	50
060114247E	060124247E	060204247E	Slotted	28.5	50

Quarter Turn Lock

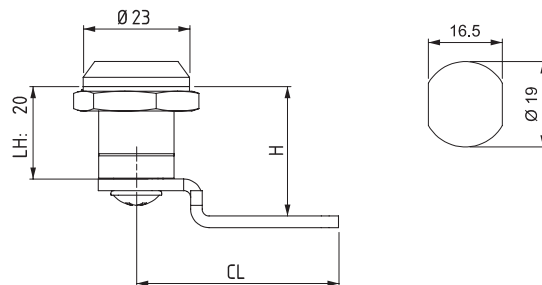
SR 5000

HOUSING: Zamak DIN-EN 1774-ZnAl4Cu1

KNOB: Zamak DIN-EN 1774-ZnAl4Cu1

CAM: Steel

- 19 mm cut out
- Left/right hand
- Vibration proof quarter turn
- Opening the lock only possible by pushing and rotating the driver with the key



Part Number		Head Style	Grip Range (mm)	Standard Pack Quantity
Chrome Plated	Black Coated			
350111350E	350121350E	3mm Double Bit	20	100
350111351E	350121351E	3mm Double Bit	27	100
350111352E	350121352E	3mm Double Bit	30	100
350113750E	350123750E	7mm Triangle	20	100
350113751E	350123751E	7mm Triangle	27	100
350113752E	350123752E	7mm Triangle	30	100
350112750E	350122750E	7mm Square	20	100
350112751E	350122751E	7mm Square	27	100
350112752E	350122752E	7mm Square	30	100
350114250E	350124250E	Slotted	20	100
350114251E	350124251E	Slotted	27	100
350114252E	350124252E	Slotted	30	100

Secure Quarter Turn

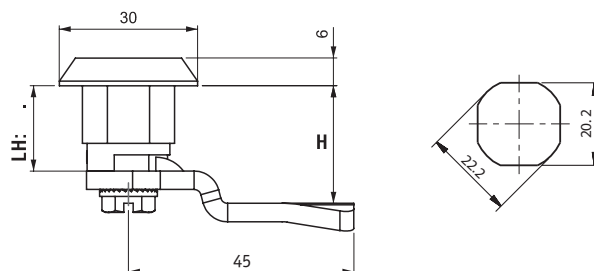
SR 5001

HOUSING: Zamak DIN-EN 1774-ZnAl4Cu1

KNOB: Zamak DIN-EN 1774-ZnAl4Cu1

CAM: Steel

- Right/left hand lock
- When lock is open, key functions as a knob



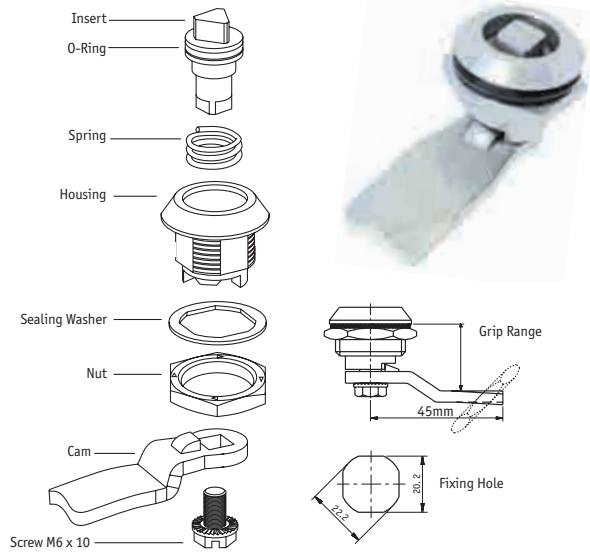
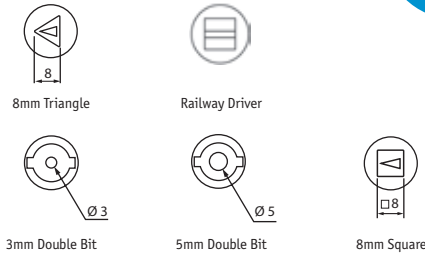
Part Number		Door Locking Direction	Head Style	Grip Range (H) (mm)	Standard Pack Quantity
Chrome Plated	Black Coated				
4611111538001E	46112121538001E	Right	5 mm double Bit	14.5	50
4611111530001E	46112121530001E	Right	5 mm double Bit	18.5	50
4611111534001E	46112121534001E	Right	5 mm double Bit	24.5	50
4611111536001E	46112121536001E	Right	5 mm double Bit	26.5	50
46111119638001E	46112129638001E	Right	8 mm Square	14.5	50
46111119630001E	46112129630001E	Right	8 mm Square	18.5	50
46111119634001E	46112129634001E	Right	8 mm Square	24.5	50
46111119636001E	46112129636001E	Right	8 mm Square	26.5	50
4611111538002E	46112121538002E	Left	5 mm double Bit	14.5	50
4611111530002E	46112121530002E	Left	5 mm double Bit	18.5	50
4611111534002E	46112121534002E	Left	5 mm double Bit	24.5	50
4611111536002E	46112121536002E	Left	5 mm double Bit	26.5	50
46111119638002E	46112129638002E	Left	8 mm Square	14.5	50
46111119630002E	46112129630002E	Left	8 mm Square	18.5	50
46111119634002E	46112129634002E	Left	8 mm Square	24.5	50
46111119636002E	46112129636002E	Left	8 mm Square	26.5	50

Stainless Steel Quarter Turn with Spring

SR 5560

Stainless Steel AISI 304

- Ideal for outdoor cabinets and enclosures
- Seals to IP65



Part Number					Grip Range (mm)	Standard Pack Quantity
3mm Double Bit	5mm Double Bit	8mm Square	8mm Triangle	Railway Driver		
060401338E	060401538E	060402838E	060403838E	060408838E	14.5	50
060401330E	060401530E	060402830E	060403830E	060408830E	18.5	50
060401334E	060401534E	060402834E	060403834E	060408834E	24.5	50
060401336E	060401536E	060402836E	060403836E	060408836E	26.5	50

Quarter Turn Lock – Spring Loaded

SR 5002

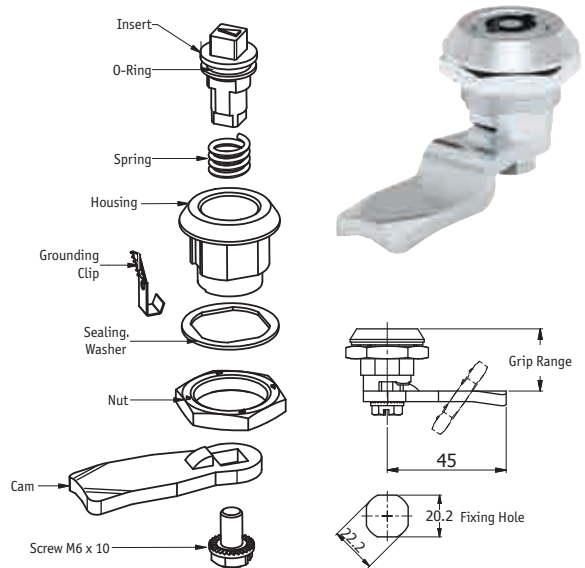
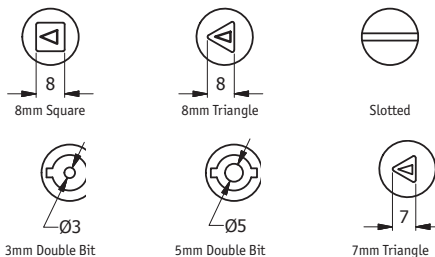
Housing/Driver: Zamak DIN-EN 1774-ZnAl4Cu1

Cam: Steel

Gasket: Rubber

Grounding Clip: Stainless Steel

- Special clip for grounding
- Designed internal spring provides 1.5mm torsion
- Cam does not rotate beyond quarter turn due to stop lip



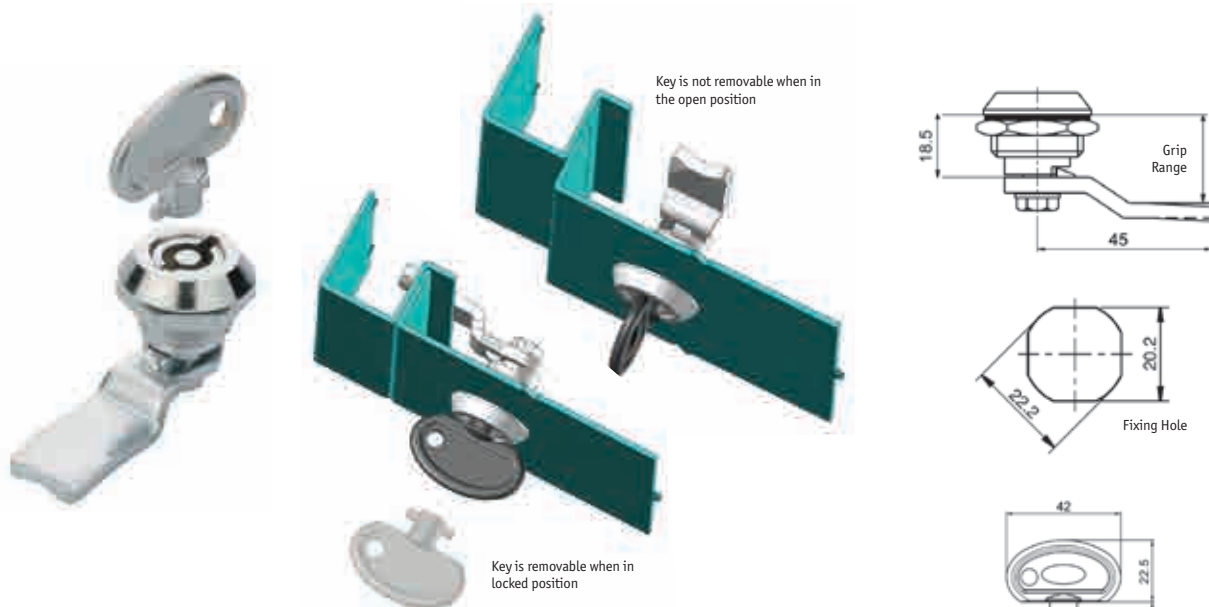
Part Number												Grip Range (mm)	Standard Pack Quantity
3mm Double Bit		5mm Double Bit		7mm Triangle		8mm Square		8mm Triangle		Slotted			
Chrome	Black Coated	Chrome	Black Coated	Chrome	Black Coated	Chrome	Black Coated	Chrome	Black Coated	Chrome	Black Coated		
360111330	360121330	360111530	360121530	360113730	360123730	360112830	360122830	360113830	360123830	360114230	360124230	18.5	50
360111334	360121334	360111534	360121534	360113734	360123734	360112834	360122834	360113834	360123834	360114234	360124234	24.5	50
360111336	360121336	360111536	360121536	360113736	360123736	360112836	360122836	360113836	360123836	360114236	360124236	26.5	50
360111338	360121338	360111538	360121538	360113738	360123738	360112838	360122838	360113838	360123838	360114238	360124238	14.5	50
360111347	360121347	360111547	360121547	360113747	360123747	360112847	360122847	360113847	360123847	360114247	360124247	28.5	50
360111360	360121360	360111560	360121560	360113760	360123760	360112860	360122860	360113860	360123860	360114260	360124260	8.5	50

Secure Quarter Turn Locks

SR 5540

Chrome Finish Die-Cast Zinc Alloy

- Designed to improve the safety of machinery and enclosures
- When the lock is in the open position, the key acts as a knob
- Key listed is specific to this lock providing security



Lock

Part Number		Grip Range (mm)	Standard Pack Quantity
Chrome Plated	Black Coated		
3611138E	3611238E	14.5	50
3611130E	3611230E	18.5	50
3611134E	3611234E	24.5	50
3611136E	3611236E	26.5	50

Key

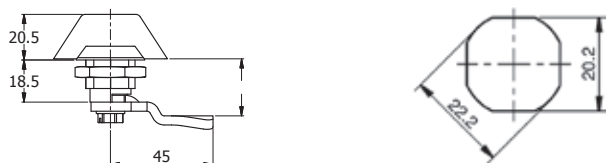
Part Number		Standard Pack Quantity
Chrome Plated	Black Coated	
16711E	16712E	250

Cam Locks with Wing Knobs

SR 5478

Die-Cast Zinc Alloy or Polyamide

- Quarter turn operation
- Left-hand and right-hand application is possible

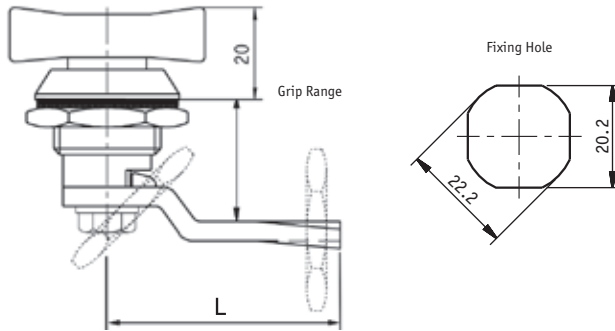


Part Number		Finish	Grip Range (mm)	Standard Pack Quantity
Die-Cast Zinc Alloy	Polyamide			
065110060E	-	Chrome	8.5	50
065110038E	-	Chrome	14.5	50
065110030E	-	Chrome	18.5	50
065110034E	-	Chrome	24.5	50
065110036E	-	Chrome	26.5	50
065110047E	-	Chrome	28.5	50
065120060E	-	Black Coated	8.5	50
065120038E	-	Black Coated	14.5	50
065120030E	-	Black Coated	18.5	50
065120034E	-	Black Coated	24.5	50
065120036E	-	Black Coated	26.5	50
065120047E	-	Black Coated	28.5	50
-	065200060E	Black	8.5	50
-	065200038E	Black	14.5	50
-	065200030E	Black	18.5	50
-	065200034E	Black	24.5	50
-	0652000361E	Black	26.5	50
-	065200047E	Black	28.5	50

Quarter Turn Latch with Wing Knob

SR 5522

- Supplied with rubber gasket for good seal

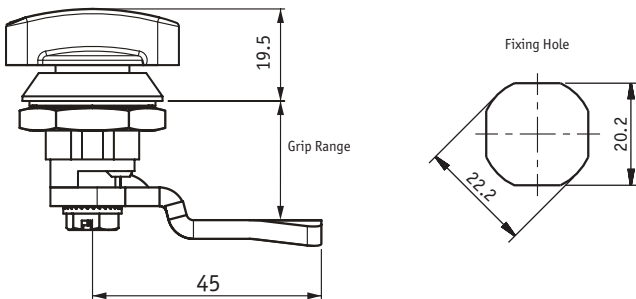


Type 1 (Die-Cast Zinc Alloy Body, Steel Cam)

Part Number		Grip Range (mm)	L (mm)	Standard Pack Quantity
Chrome Plated	Black Powder Coated			
0621160E	0621260E	8.5	45	50
0621138E	0621238E	14.5	45	50
0621130E	0621230E	18.5	45	50
0621134E	0621234E	24.5	45	50
0621136E	0621236E	26.5	45	50
0621147E	0621247E	28.5	45	50

Type 2 (Polyamide Body, Polyamide Cam)

Part Number	Grip Range (mm)	L (mm)	Standard Pack Quantity
0622090E	18.5	35	50
0622091E	24.5	35	50
0622092E	22.5	35	50
0622093E	18.5	35	50



Type 3 (Die-Cast Zinc Alloy, Steel Cam)

Part Number		Grip Range (mm)	Standard Pack Quantity
Chrome Plated	Black Powder Coated		
3621160E	3621260E	8.5	50
3621138E	3621238E	14.5	50
3621130E	3621230E	18.5	50
3621134E	3621234E	24.5	50
3621136E	3621236E	26.5	50
3621147E	3621247E	28.5	50



Quarter Turn Latch with Wingknob – Long Housing

SR 5523

Body: Die-Cast Zinc Alloy

Cam: Steel

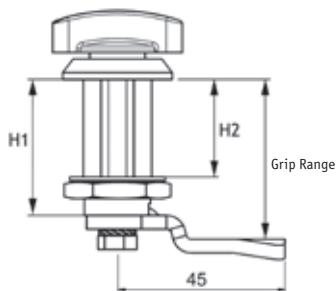
- Ideal for sound-proof or isolated doors
- Supplied with rubber sealing gasket



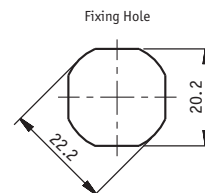
Chrome Plated



Black Coated



H2 = Maximum Panel Thickness



All dimensions in mm

Part Number		Grip Range (mm)	Dimensions (mm)		Standard Pack Quantity
Chrome Plated	Black Coated		H1	H2	
064362201137E	064362201237E	28	30	20	50
064362201130E	064362201230E	30	30	20	50
064362201131E	064362201231E	33	30	20	50
064362301137E	064362301237E	38	40	30	50
064362301130E	064362301230E	40	40	30	50
064362301131E	064362301231E	43	40	30	50
064362401137E	064362401237E	48	50	40	50
064362401130E	064362401230E	50	50	40	50
064362401131E	064362401231E	53	50	40	50
064362501137E	064362501237E	58	60	50	50
064362501130E	064362501270E	60	60	50	50
064362501131E	064362501231E	63	60	50	50

Wing Knob with Padlock Fitting

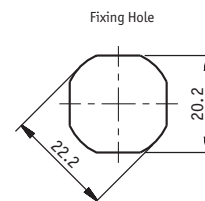
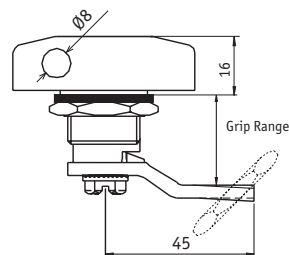
SR 5520

Chrome Plated Die-Cast Zinc Alloy with Steel Cam

- Rubber Gasket for good seal



Right Hand Example



All dimensions in mm

Part Number		Grip Range (mm)	Standard Pack Quantity
Right Hand Door	Left Hand Door		
262160001E	262160002E	8.5	50
262138001E	262138002E	14.5	50
262130001E	262130002E	18.5	50
262134001E	262134002E	24.5	50
262136001E	262136002E	26.5	50
262147001E	262147002E	28.5	50

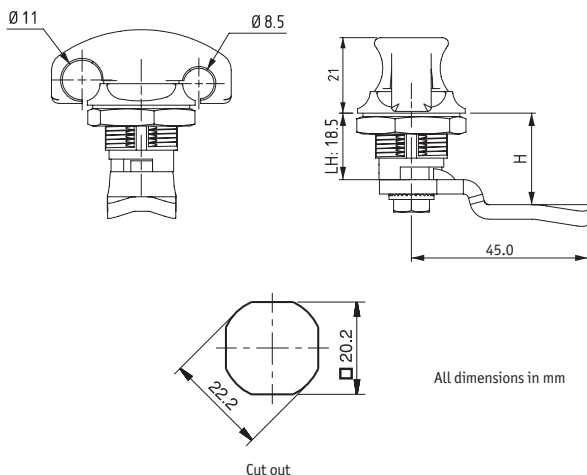
Padlockable Wing Knob

SR 5003

Housing: Zamak DIN-EN 1774-ZnAl4Cu1

Knob: Zamak DIN-EN 1774-ZnAl4Cu1

Cam: Steel



Part Number		Grip Range (H) (mm)	Standard Pack Quantity
Chrome	Black Coated		
562160E	562260E	8.5	50
562138E	562238E	14.5	100
562130E	562230E	18.5	100
562134E	562234E	24.5	100
562136E	562236E	26.5	100
562147E	562247E	28.5	100

- Left/right hand
- Maximum shackle diameter is 10mm for 11mm hole
- Maximum shackle diameter is 6mm for 8.5mm hole



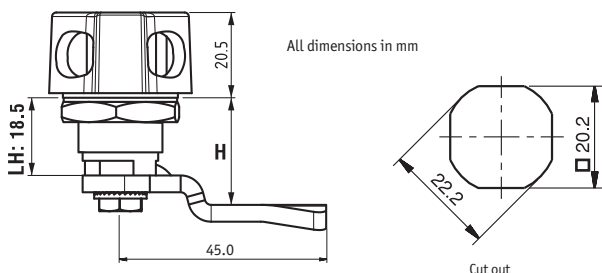
Stainless Steel Padlockable Wing Knob

SR 5004

Housing: Stainless Steel (AISI 316)

Knob: Stainless Steel (AISI 316)

Cam: Stainless Steel (AISI 304)



Part Number		Grip Range (H) (mm)	Standard Pack Quantity
Left Hand	Right Hand		
2654030002E	2654030001E	18.5	50
2654034002E	2654034001E	24.5	50
2654036002E	2654036001E	26.5	50
2654047002E	2654047001E	28.5	50

- Maximum shackle diameter is 6mm
- IP65

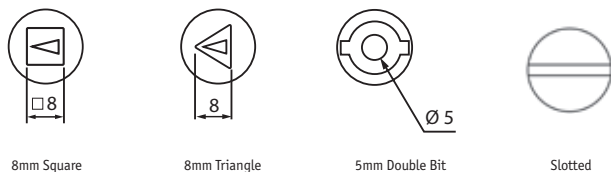
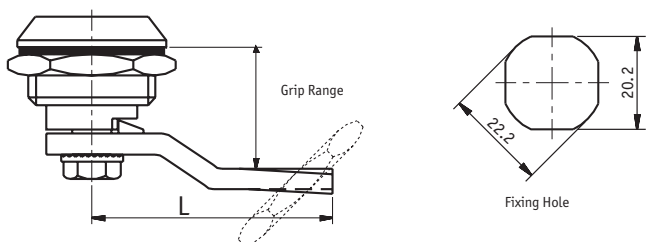


Plastic Quarter Turn with Spring

SR 5531

Polyamide 30% Glass Fibre Reinforced

- Seals to IP65
- Lightweight alternative to SR5530



Plastic Quarter Turn with Metal Lock Nut

Part Number				Grip Range (mm)	L (mm)	Standard Pack Quantity
5mm Double Bit	8mm Square	8mm Triangle	Slotted			
060201590E	060202890E	060203890E	060204290E	18.5	35	50
060201591E	060202891E	060203891E	060204291E	24.5	35	50
060201592E	060202892E	060203892E	060204292E	22.5	45	50
060201593E	060202893E	060203893E	060204293E	18.5	25	50

Plastic Lock Nut

Part Number	Standard Pack Quantity
30502002E	50

Easy Fixing Quarter Turn Lock

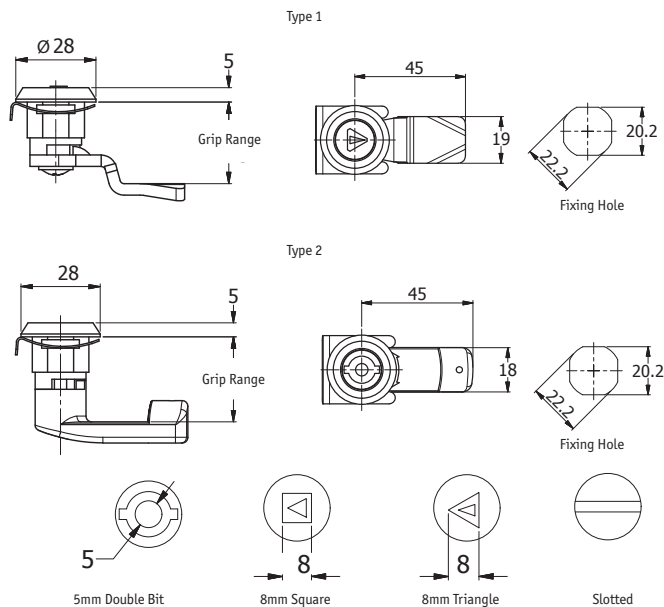
SR6415

Polyamide – Black

Cam:

Type 1 – Material Steel/Finish Zinc plated

Type 2 – Material Plastic Black



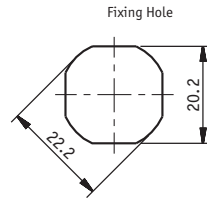
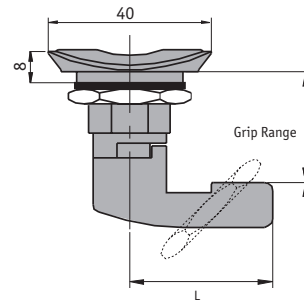
Part Number				Type	Grip Range (mm)	Standard Pack Quantity
5mm Double Bit	8mm Square	8mm Triangle	Slotted			
56020201560E	56020202860E	56020203860E	56020204260E	1	8.5	50
56020201538E	56020202838E	56020203838E	56020204238E	1	14.5	50
56020201530E	56020202830E	56020203830E	56020204230E	1	18.5	50
56020201590E	56020202890E	56020203890E	56020204290E	2	18.5	50
56020201592E	56020202892E	56020203892E	56020204292E	2	22.5	50
56020201534E	56020202834E	56020203834E	56020204234E	1	24.5	50
56020201536E	56020202836E	56020203836E	56020204236E	1	26.5	50
56020201547E	56020202847E	56020203847E	56020204247E	1	28.5	50

Plastic Lock with Finger Grips

SR 5524

Polyamide

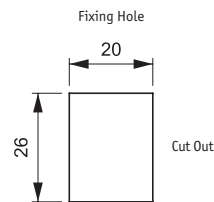
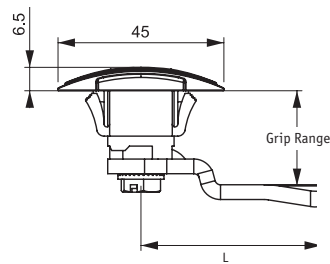
- Lock Nut Style is IP65
- Finger grips allow user to pull door open
- Snap in style to suit 0.8-1.8mm panel thickness



Lock Nut Style

Lock Nut Style 5mm Double Bit

Part Number	Grip Range (mm)	L (mm)	Standard Pack Quantity
161201590E	18.5	35	50
161201591E	24.5	35	50
161201592E	22.5	45	50



Snap In Style

Snap in Style

Part Number		Grip Range (mm)	L (mm)	Standard Pack Quantity
5mm Double Bit	Euro Key (5333)			
26120201590E	261200590E	18.5	35	50
26120201591E	261200591E	24.5	35	50
261201592E	261200592E	22.5	45	50
26120201593E	261200593E	18.5	25	50

All dimensions in mm

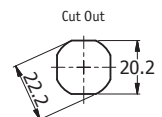
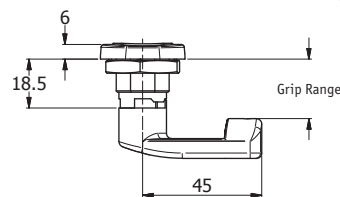
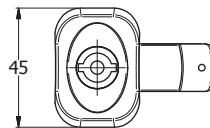
Quarter Turn Lock -Knob on Lock

SR 5005

Housing/Driver: Polyamide DIN-EN ISO
1043-1 PA6 GFR 30

Driver/Nut/Cam: PA6 GFR 30

- Lock is designed to act as a knob
- 5mm double bit driver



Part Number	Grip Range (mm)	Standard Pack Quantity
56120201592	18.5	50
56120201593	22.5	50

Clip On Quarter Turn Latches

SR 5470

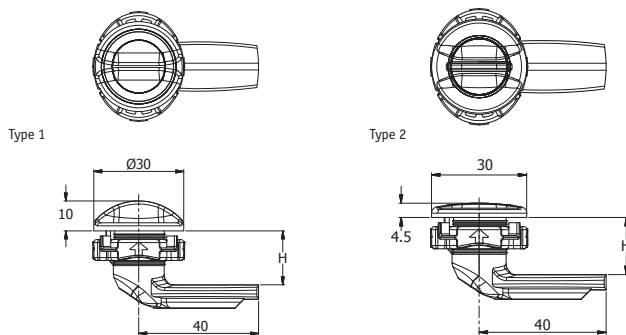
Black Polyamide

- Includes body and clip
- Tool-less assembly for quick and easy mounting
- Up to 90° rotation angle
- Latch can be mounted onto doors with thickness of up to 6mm
- For lightweight door applications

Type 1



Type 2



Part Number	Type	Dimensions (mm)		Style	Standard Pack Quantity
		H			
497579	1	13.5		Cranked	25
497580	1	18		Straight	25
497583	1	25		Straight	25
497581	2	13.5		Cranked	25
497582	2	18		Straight	25

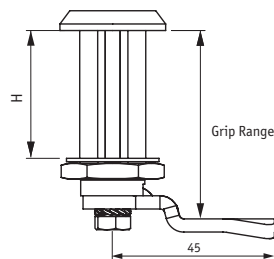
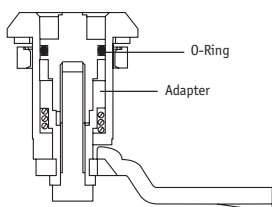
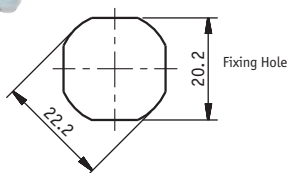
Cover Locks

SR 5526

Die-Cast Zinc Alloy



- Suitable for use on thick panels such as insulated panels
- Chrome Plated Finish
- Seals to IP65
- Supplied with rubber sealing gasket



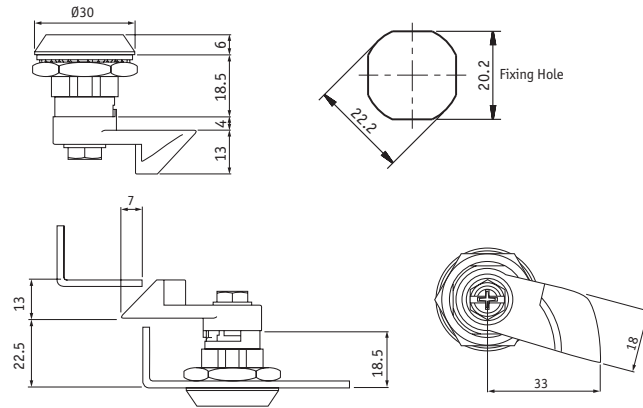
Part Number				Dimensions (mm)		Standard Pack Quantity
5mm doublebit	3mm Double Bit	8mm Square	8mm Triangular	(H) Max Panel Thickness	Grip Range	
06411152030E	06411132030E	06411282030E	06411382030E	20	30	50
06411152033E	06411132033E	06411282033E	06411382033E	20	34	50
06411152034E	-	-	-	20	36	50
06411152036E	-	-	-	20	38	50
06411152047E	-	-	-	20	40	50
06411153030E	-	-	-	30	30	50
06411153033E	06411133033E	06411283033E	06411383033E	30	44	50
06411153034E	06411133034E	06411283034E	06411383034E	30	46	50
06411153036E	-	-	-	30	48	50
06411153047E	-	-	-	30	50	50
06411154030E	-	-	-	40	50	50
06411154033E	06411134033E	06411284033E	06411384033E	40	54	50
06411154034E	06411134034E	06411284034E	06411384034E	40	56	50
06411154036E	-	-	-	40	58	50
06411154047E	-	-	-	40	60	50
06411155030E	-	-	-	50	60	50
06411155033E	06411135033E	06411285033E	06411385033E	50	64	50
06411155034E	06411135034E	06411285034E	06411385034E	50	66	50
06411155036E	-	-	-	50	68	50
06411155047E	06411135047E	06411285047E	06411385047E	50	70	50

Slam Shut Quarter Turn Locks

SR 5525

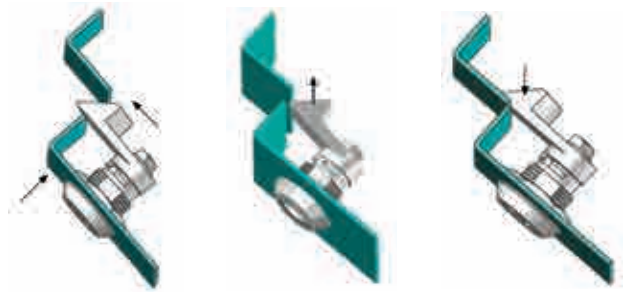
Die-Cast Zinc Alloy with Steel Cam

- Chrome plated finish
- 5mm double bit head
- Sprung cam lifts and returns when door is closed



All dimensions in mm

Part Number		Standard Pack Quantity
Left Hand	Right Hand	
1601115002E	1601115001E	50



As the panel door is pushed to, the cam rises and then springs down behind the panel wall

Quarter Turn Lock - Paco Lock

SR 5006

Housing: Zamak DIN-EN 1774-ZnAl4Cu1

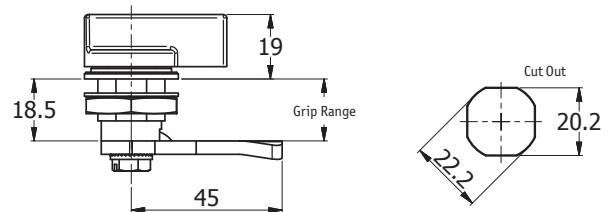
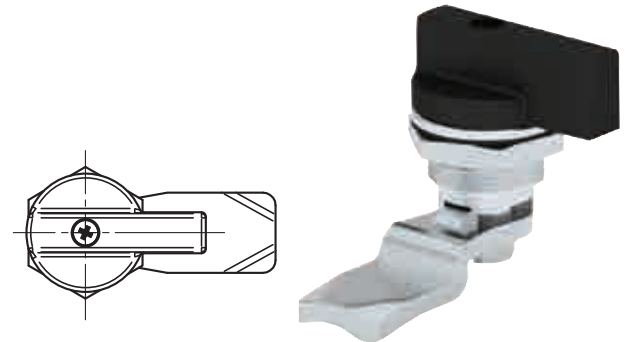
Knob: PA6 GFR 30

Cam: Steel

Gasket: Rubber

Finish: Chrome

- Paco type knob
- Ideal for application such as electric panels, machinery covers



Part Number	Grip Range (mm)	Standard Pack Quantity
16230M	18.5	50
16234M	24.5	50
16236M	26.5	50
16238M	14.5	50
16247M	28.5	50
16260	8.5	50

Hygienic Compression Lock

SR B-0000

Housing: Stainless Steel (AISI 316)

Driver: Stainless Steel (AISI 316)

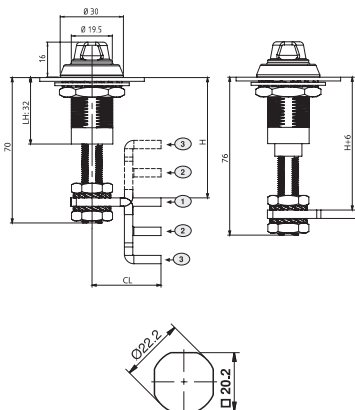
Cam: Stainless Steel (AISI 304)

Nut: Stainless Steel (AISI 304)

O-Ring: Silicone



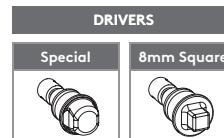
- Tested according to the GS-NV 6:2015/12 for hygiene requirements
- Tested according to the DIN EN 61373 Category 1-B for vibration and shock
- Specially designed for hygiene requirements and cabinets that require better sealing under vibrating conditions



All dimensions in mm

Cut Out

CAM	CC	CH	CL	POSITION	H: GRIP	
					MIN	MAX
1	01	0	33	Flat	41	58
2	02	14	33	Up	27	44
				Down	55	72
3	03	27.5	33	Up	13.5	30.5
				Down	68	85



Part Number	Orientation	Driver	Cam type	Grip Range (mm) (H)	Standard Pack Quantity
4402409901001E	Right Hand	Special	1	41-58	50
4402409902001E	Right Hand	Special	2	27-72	50
4402409903001E	Right Hand	Special	3	13-85	50
4402402801001E	Right Hand	8mm Square	1	41-58	50
4402402802001E	Right Hand	8mm Square	2	27-72	50
4402402803001E	Right Hand	8mm Square	3	13-85	50
4402409901002E	Left Hand	Special	1	41-58	50
4402409902002E	Left Hand	Special	2	27-72	50
4402409903002E	Left Hand	Special	3	13-85	50
4402402801002E	Left Hand	8mm Square	1	41-58	50
4402402802002E	Left Hand	8mm Square	2	27-72	50
4402402803002E	Left Hand	8mm Square	3	13-85	50

Stainless Steel Quarter Turn With Spring

SR B-0001

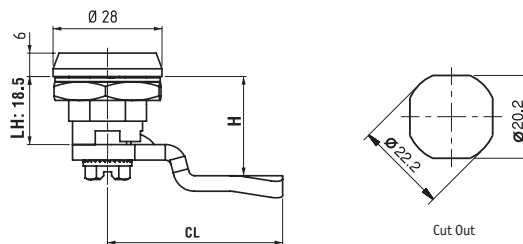
Housing: Stainless Steel (AISI 316)

Driver: Stainless Steel (AISI 316)

Cam: Stainless Steel (AISI 304)

Nut: Stainless Steel (AISI 304)

- Ideal for use in vibration and outdoor applications



All dimensions in mm



Part Number	Orientation	Driver	Grip Range (mm) (H)	Standard Pack Quantity
1060401540001E	Right Hand	5mm Double Bit	18.5	50
1060401534001E	Right Hand	5mm Double Bit	24.5	50
1060401547001E	Right Hand	5mm Double Bit	28.5	50
1060403740001E	Right Hand	7mm Triangular	18.5	50
1060403734001E	Right Hand	7mm Triangular	24.5	50
1060403747001E	Right Hand	7mm Triangular	28.5	50
1060401540002E	Left Hand	5mm Double Bit	18.5	50
1060401534002E	Left Hand	5mm Double Bit	24.5	50
1060401547002E	Left Hand	5mm Double Bit	28.5	50
1060403740002E	Left Hand	7mm Triangular	18.5	50
1060403734002E	Left Hand	7mm Triangular	24.5	50
1060403747002E	Left Hand	7mm Triangular	28.5	50

Stainless Steel Quarter Turn Lock – Circular Cut Out

SR 5007

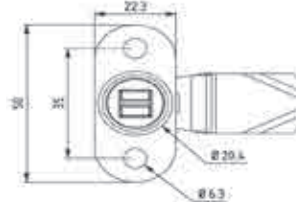
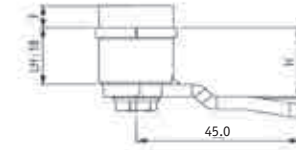
Housing: Stainless Steel (AISI 316)

Driver: Stainless Steel (AISI 316)

Cam: Stainless Steel (AISI 304)

Nut: Stainless Steel (AISI 304)

- Used for cabinets under vibration conditions
- IP65
- Left/right hand



All dimensions in mm

Part Number	Driver	Grip (H) (mm)	Standard Pack Quantity
860408830E		18	100
860408834E	Railway	24	100
860408836E		26	100

Quarter Turn – Easy Fixing

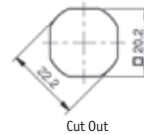
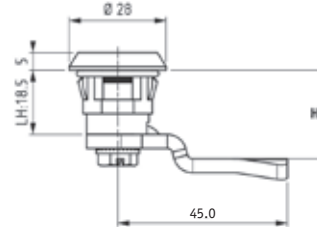
SR 5008

Housing: PA6 GFR 30

Driver: Zamak DIN-EN 1774-ZnAl4Cu1 or PA6 GFR 30

Cam: Steel or Plastic

- Easy assembly by clips
- Mounting nut not required
- Specially designed internal spring provides 1.5mm torsion
- Please contact Essentra Components for special colours



Cut Out



All dimensions in mm

Part Number		Panel Thickness (mm)	Driver	Grip Range (H) (mm)	Standard Pack Quantity	
Plastic Housing/Plastic Driver	Plastic Housing/Zamak Plastic Cover					
660120201560E	660120121560E	0.8 - 1.2	5mm Double Bit	8.5	100	
660120201538E	660120121538E			14.5	100	
660120201530E	660120121530E			18.5	100	
660120201533E	660120121533E			22.5	100	
660120201534E	660120121534E			24.5	100	
660120201536E	660120121536E			26.5	100	
660120201547E	660120121547E		28.5	100		
660120203860E	660120123860E		8.5	8mm Triangle	100	
660120203838E	660120123838E		14.5		100	
660120203830E	660120123830E		18.5		100	
660120203833E	660120123833E		22.5		100	
660120203834E	660120123834E		24.5		100	
660120203836E	660120123836E		26.5		100	
660120203847E	660120123847E		28.5	100		
660220201560E	660220121560E		1.2 - 1.5	5mm Double Bit	8.5	100
660220201538E	660220121538E				14.5	100
660220201530E	660220121530E				18.5	100
660220201533E	660220121533E				22.5	100
660220201534E	660220121534E	24.5			100	
660220201536E	660220121536E	26.5			100	
660220201547E	660220121547E	28.5		100		
660220203860E	660220123860E	8.5		8mm Triangle	100	
660220203838E	660220123838E	14.5			100	
660220203830E	660220123830E	18.5			100	
660220203833E	660220123833E	22.5			100	
660220203834E	660220123834E	24.5			100	
660220203836E	660220123836E	26.5			100	
660220203847E	660220123847E	28.5		100		

Mini Quarter Turn – Easy Fixing

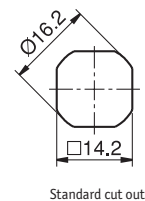
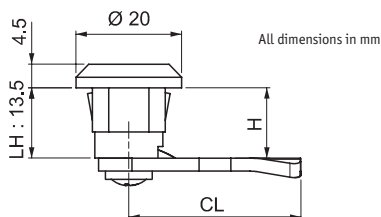
SR 5009

Housing: PA6 GFR 30

Driver: Zamak DIN-EN 1774-ZnAl4Cu1

Cam: Steel

- Left/right hand
- To fit a door thickness of 0.8mm -1.5mm
- Easy assembly by clips
- Specially designed internal spring provides 1mm torsion



Part Number			Head Style	Grip Range (H) (mm)	Standard Pack Quantity
Plastic Housing/Zamak Chrome Driver	Plastic Housing/Zamak Black Coated Driver	Plastic Housing/Plastic Driver			
366120112610E	366120122610E	366120202610E	6 mm square	13.5	100
366120112621E	366120122621E	366120202621E	6 mm square	19.5	100
366120112611E	366120122611E	366120202611E	6 mm square	20.5	100
366120113710E	366120123710E	366120203710E	7 mm Triangle	13.5	100
366120113721E	366120123721E	366120203721E	7 mm Triangle	19.5	100
366120113711E	366120123711E	366120203711E	7 mm Triangle	20.5	100
366120114210E	366120124210E	366120204210E	Slotted	13.5	100
366120114221E	366120124221E	366120204221E	Slotted	19.5	100
366120114211E	366120124211E	366120204211E	Slotted	20.5	100

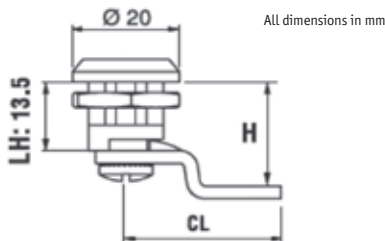
Stainless Steel Mini Quarter Turn

SR 5010

Stainless Steel



- Specially designed internal spring provides 1mm of compression
- Sealing washer not supplied
- Left/right hand



Part Number	Head Style	Cam Length (CL) (mm)	Grip Range (mm)	Standard Pack Quantity
066402610E	6mm Square	33	13.5	100
066402620E	6mm Square	25	13.5	100
066402622E	6mm Square	25	7.5	100
066403710E	7mm Triangle	33	13.5	100
066403720E	7mm Triangle	25	13.5	100
066403722E	7mm Triangle	25	7.5	100
066404210E	Slotted	33	13.5	100
066404220E	Slotted	25	13.5	100
066404222E	Slotted	25	7.5	100

Mini Quarter Turn Wing Knob - Easy Fixing

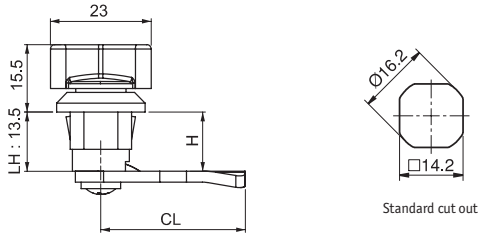
SR 5011

HOUSING: PA6 GFR 30

DRIVER: Zamak DIN-EN 1774-ZnAl4Cu1

CAM: Steel

- Easy assembly by clips
- 0.8mm - 1.5mm door thickness
- Specially designed internal springb provides 1 mm torsion
- Plastic Housing and Knob



Part Number	Grip Range (H) (mm)	Standard Pack Quantity
5661202010E	13.5	100
5661202021E	19.5	100
5661202011E	20.5	100

Mini Cam Lock - Wing Knob

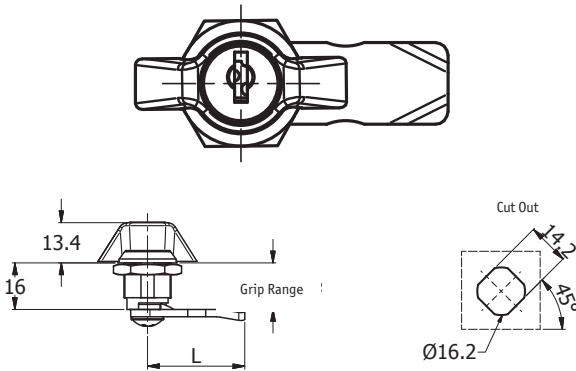
SR 5012

Housing: Zamak DIN-EN 1774-ZnAl4Cu1

Cam: Steel

Gasket: Rubber

- Quarter turn operation
- Suitable for small size cabinet



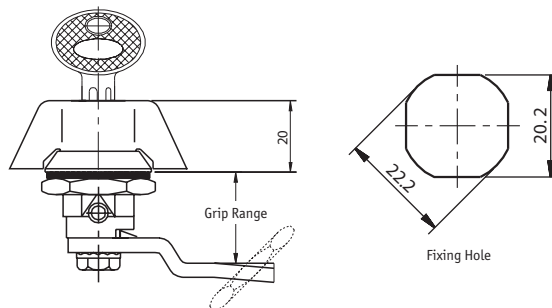
Part Number		Type	Grip Range (H) (mm)	L (mm)	Standard Pack Quantity
Chrome	Black Coated				
165110310	165120310	Keyed alike	16	33.0	50
165113210	165123210	Keyed differ	16	33.0	50

Cylinder Cam Lock with Wing Knob

SR 5514

Die-Cast Zinc Alloy

- Supplied with two standard Euro Keys (5333)



All dimensions in mm

Die-Cast-Zinc Alloy

Part Number		Grip Range (mm)	Standard Pack Quantity
Chrome Plated	Black Powder Coated		
065110560E	065120560E	8.5	50
065110538E	065120538E	14.5	50
065110530E	065120530E	18.5	50
065110534E	065120534E	24.5	50
065110536E	065120536E	26.5	50
065110547E	065120547E	28.5	50

Die-Cast Zinc Alloy over-moulded with Black Polyamide

Part Number	Grip Range (mm)	Standard Pack Quantity
065200560E	8.5	50
065200538E	14.5	50
065200530E	18.5	50
065200534E	24.5	50
065200536E	26.5	50
065200547E	28.5	50

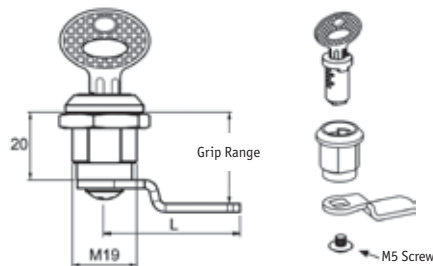
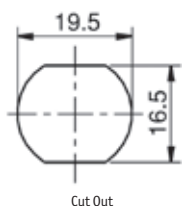
Large Chrome Cam Locks

SR 5541

Body: Chrome Plated Die-Cast Zinc Alloy

Cam: Steel

- Large Cut Out compared to Mini Cams Locks
- Ideal for flight cases, steel cupboards and drawers
- Key rotation angle of 90 degree
- Supplied with two keys
- Available as keyed alike or keyed to differ



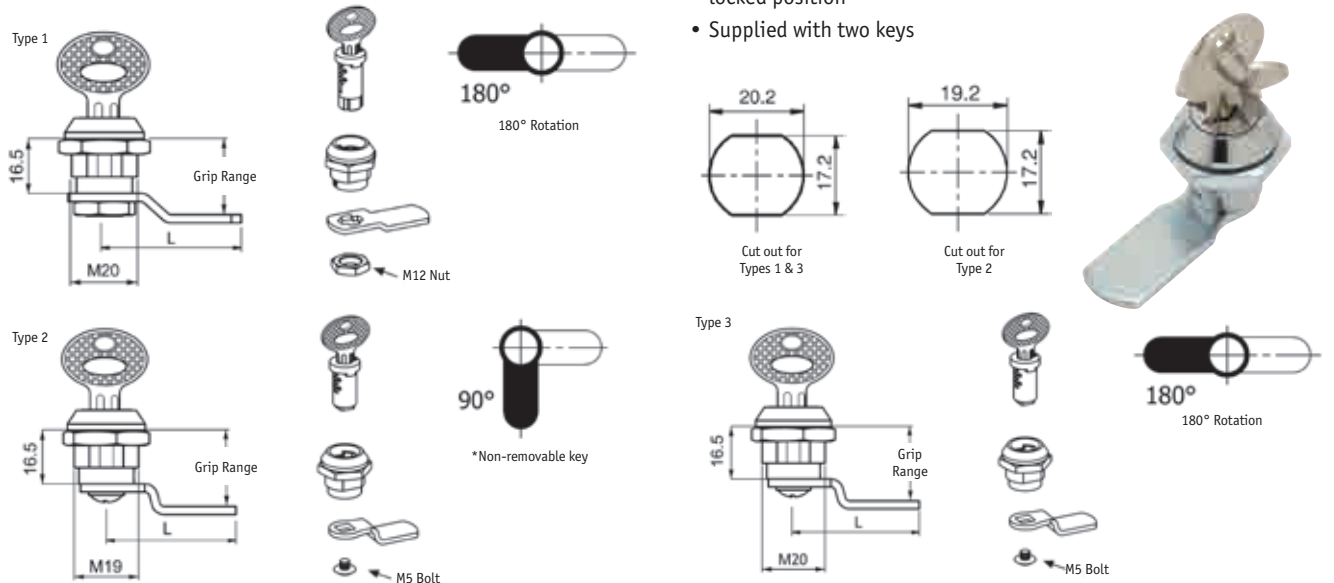
Part Number		Grip Range (mm)	L (mm)	Standard Pack Quantity
Keyed Alike	Keyed Differ			
250200130E	250200230E	20	33	100
250200150E	250200250E	20	43	100
250200151E	250200251E	27	40	100

Cam Locks

SR 5542

Chrome Finish Die-Cast Zinc Alloy

- Type 1 is keyed different
- Type 2 has non-removable key
- Type 3 is keyed alike (5333) and key can only be removed in locked position
- Supplied with two keys



All dimensions in mm

Part Number	Type	Key Rotational Angle	Grip Range (mm)	L (mm)	Mounting Hole Size	Standard Pack Quantity
05010230E	1	180	16.5	33	M20	50
05010210E	1	180	16.5	38	M20	50
05010221E	1	180	23.5	47	M20	50
05070230E	2	90	16.5	33	M19	50
05070251E	2	90	23.5	40	M19	50
05010530E	3	180	16.5	33	M20	50
05030651E	3	180	23.5	40	M20	50

Mini Cam Lock

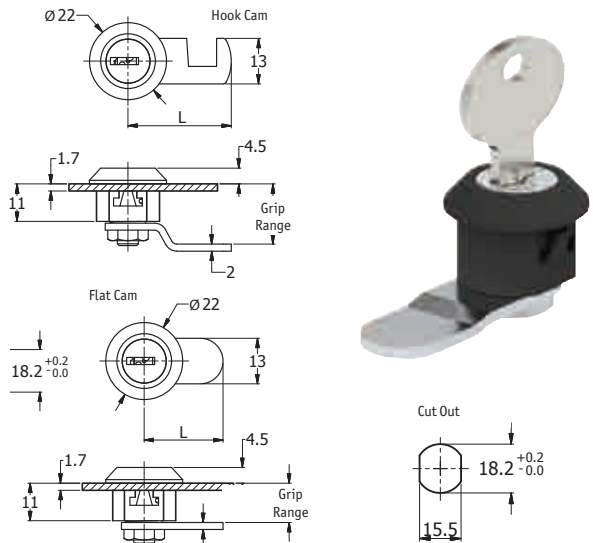
SR 5013

Housing: PA6 GFR 30

Cam: Steel

Finish: Chrome

- Easy assembly with clip on housing
- Ideal for metal drawers, metal cabinets and plastic boxes
- Come with a stainless steel dust cap

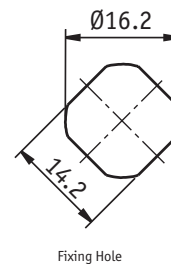
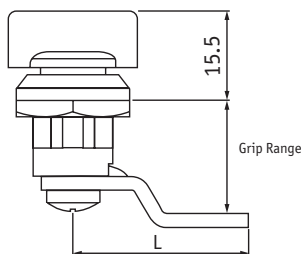


Part Number		Cam Type	Grip Range (mm)	L (mm)	Standard Pack Quantity
Keyed alike	Keyed differ				
2570327	2573227	Flat	11.0	16.0	50
2570329	2573229	Hook	17.0	30.0	50

Mini Cam Locks with Wing Knobs

SR 5529

Die-Cast Zinc Alloy



All dimensions in mm

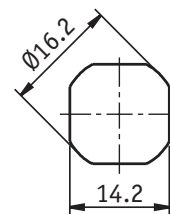
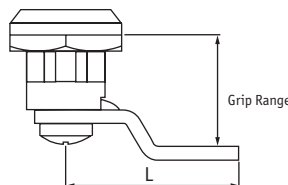
Part Number		Grip Range (mm)	L (mm)	Standard Pack Quantity
Chrome Plated	Black Powder Coated			
1661110E	1661210E	13.5	33	50
1661111E	1661211E	20.5	30	50
1661121E	1661221E	19.5	25	50

Mini Quarter Turn Latches with 45° Housing

SR 5527

Die-Cast Zinc Alloy

- Specially designed internal spring provides 1mm of torsion
- Cam sits at a 45 degree angle to the housing



6mm Square



7mm Triangle



Slotted

Part Number		Head Style	Grip Range (mm)	L (mm)	Standard Pack Quantity
Chrome Plated	Black Coated				
266112610E	266122610E	6mm Square	13.5	33	50
266112611E	266122611E	6mm Square	20.5	30	50
266112621E	266122621E	6mm Square	19.5	25	50
266113710E	266123710E	7mm Triangle	13.5	33	50
266113711E	266123711E	7mm Triangle	20.5	30	50
266113721E	266123721E	7mm Triangle	19.5	25	50
266114210E	266124210E	Slotted	13.5	33	50
266114211E	266124211E	Slotted	20.5	30	50
266114221E	266124221E	Slotted	19.5	25	50

Mini Quarter Turn Locks

SR 5528

Die-Cast Zinc Alloy



6mm Square

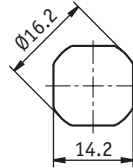


7mm Triangle

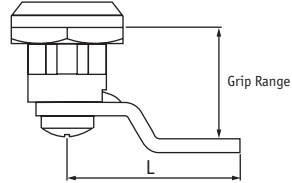


Slotted

Type 1 – Fixed with lock nut



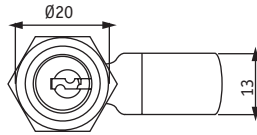
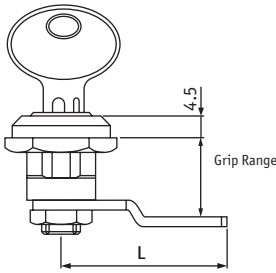
Fixing Hole



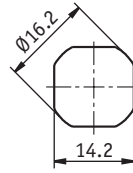
Type 1 with Spring Action

Part Number		Type	Head Style	Grip Range (mm)	L (mm)	Std Pack Qty
Chrome Plated	Black Powder Coated					
066112610E	066122610E	1	6mm Square	13.5	33	100
066112611E	066122611E	1	6mm Square	20.5	30	100
066112621E	066122621E	1	6mm Square	19.5	25	100
066113710E	066123710E	1	7mm Triangle	13.5	33	100
066113711E	066123711E	1	7mm Triangle	20.5	30	100
066113721E	066123721E	1	7mm Triangle	19.5	25	100
066114210E	066124210E	1	Slotted	13.5	33	100
066114211E	066124211E	1	Slotted	20.5	30	100
066114221E	066124221E	1	Slotted	19.5	25	100

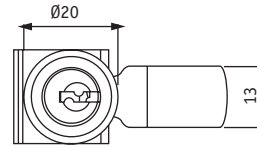
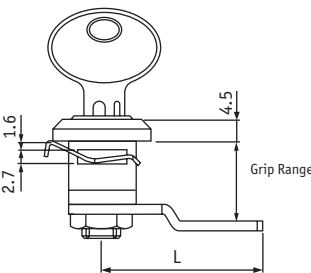
Type 2 – Fixed with nut



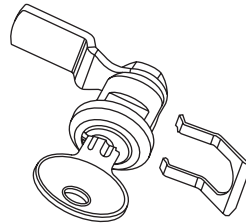
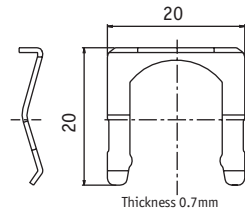
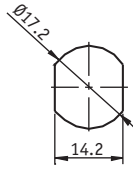
Fixing Hole



Type 3 – Fixed with clip



Fixing Hole



Types 2 and 3 without spring action and keyed alike

Chrome Plated

All dimensions in mm

Part Number	Type	Grip Range (mm)	L (mm)	Standard Pack Quantity
05710320E	2	13	31	100
05710321E	2	16	30	100
05710322E	2	20	26	100
05730320E	3	13	31	100
05730321E	3	16	30	100
05730322E	3	20	26	100

Quarter Turn Lock – Padlockable

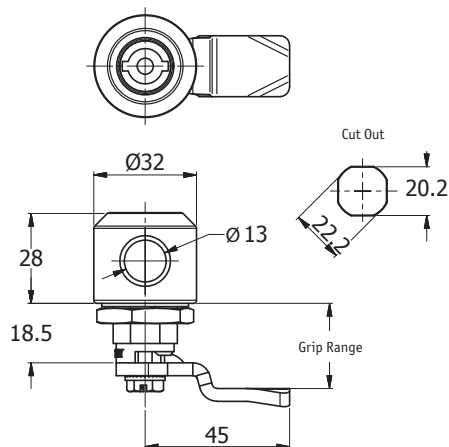
SR 5014

Housing/Driver: Zamak DIN-EN 1774-ZnAl4Cu1

Cam: Steel

Gasket: Rubber

- Padlockable version
- Ideal for electric panels, machinery covers



5mm Double Bit		7mm Triangular		Grip Range (mm)	Standard Pack Quantity
Chrome	Black Coated	Chrome	Black Coated		
26011111530	26012121530	26011113730	26012123730	18.5	40
26011111534	26012121534	26011113734	26012123734	24.5	40
26011111536	26012121536	26011113736	26012123736	26.5	40
26011111538	26012121538	26011113738	26012123738	14.5	40
26011111547	26012121547	26011113747	26012123747	28.5	40
26011111560	26012121560	26011113760	26012123760	8.5	40

CHECK OUT OUR RANGE OF **AUTOMATION AND CONTROL** PRODUCTS



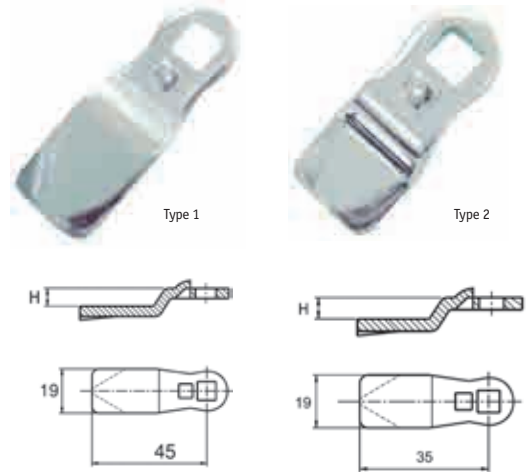
Pages 360-373

Replacement Cams

SR 5533

Zinc Plated Steel

- Suitable for all standard quarter turns and cam locks
- Provide alternative grip range if used with pre-assembled locks
- Cams in this range are additional and all locks throughout the catalogue are provided with the cam stated for each SR range



Cam 1: 45mm

Part Number	Type	Dimensions (mm)			Standard Pack Quantity
		H	Grip Range	Thickness	
30403063E	1	3	21.5*	4	250
30403149E	1	4	22.5*	4	250
30403169E	1	-2	16.5*	4	250
30403171E	1	-6	12.5*	4	250
30403172E	1	-8	10.5*	4	250

* For SR 5514, 5518, 5522, 5523, 5525, 5530, 5532, 5537, 5560

Cam 2: 35mm

Part Number	Type	Dimensions (mm)			Standard Pack Quantity
		H	Grip Range	Thickness	
30403189E	2	10	28.5 *	4	250
30403470E	2	6	24.5 *	4	250
30403185E	2	0	18.5 *	4	250
30403187E	2	-2	16.5 *	4	250

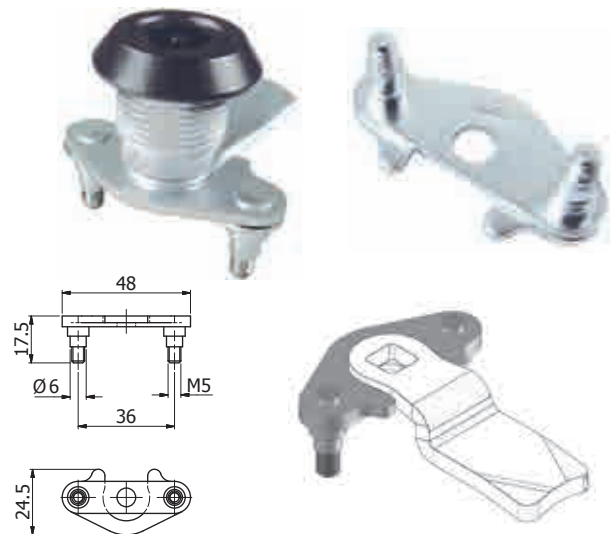
* For SR 5514, 5518, 5522, 5523, 5525, 5530, 5532, 5537, 5560

Actuator Plate

SR 5533

Zinc Plated Steel

- 3-point locking actuator plate
- Designed to fit with all standard cams, allowing for multiple locking points



Part Number	Standard Pack Quantity
30403499E	250

Keys

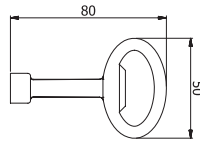
SR 5501

Chrome Plated Zinc Alloy or Polyamide

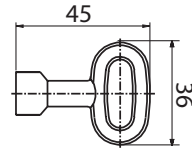
- Type 1: Large key for Quarter Turn Locks only
- Type 2: Small key for Mini Cam Locks and Quarter Turns



Type 1



Type 2



5mm Double Bit



3mm Double Bit



6mm Square



7mm Square



8mm Square



7mm Triangle



8mm Hexagon Security Key



Tubular Key



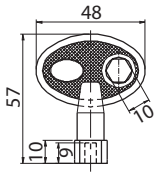
8mm Triangle



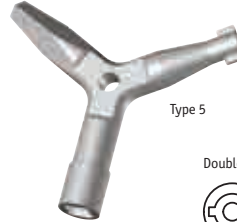
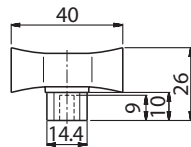
Special Cut Out



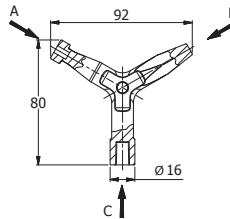
Type 3



Type 4



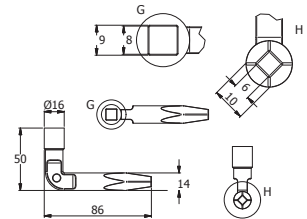
Type 5



Double Bit



Type 6



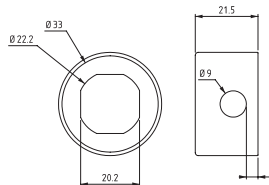
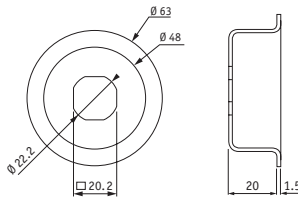
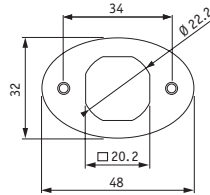
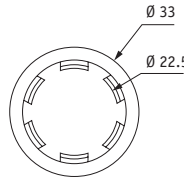
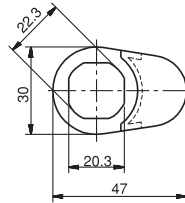
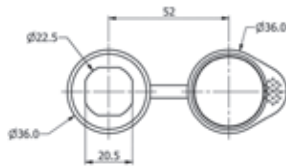
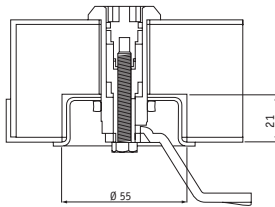
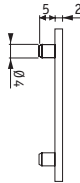
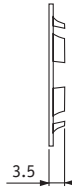
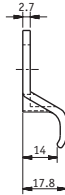
All dimensions in mm

Part Number	Head Style	Type	Material	Standard Pack Quantity
36894E	Special	1	Chrome Plated	50
36813E	3mm Double Bit	1	Chrome Plated	10
36815E	5mm Double Bit	1	Chrome Plated	10
36827E	7mm Square	1	Chrome Plated	10
36828E	8mm Square	1	Chrome Plated	10
36837E	7mm Triangle	1	Chrome Plated	10
36838E	8mm Triangle	1	Chrome Plated	10
36868E	8mm Hex. Security Key	1	Chrome Plated	10
06713E	3mm Double Bit	2	Chrome Plated	200
26715E	5mm Double Bit	2	Chrome Plated	200
06726E	6mm Square	2	Chrome Plated	200
06728E	8mm Square	2	Chrome Plated	200
06737E	6.5/7mm Triangle	2	Chrome Plated	200
06738E	8mm Triangle	2	Chrome Plated	100
16915E	5mm Double Bit	3	Polyamide	100
36912	Tubular Key	3	Chrome Plated	50
26915E	5mm Double Bit	4	Polyamide	250
30202333E	Euro Key (5333)	-	-	50
56813	5mm double bit. 8mm square. 5.1mm Railway	5	Chrome Plated	50
56913	Square. Railway	6	Chrome Plated	50

Quarter Turn Accessories

SR 5533

- For use with all locks with a 20.2 x 22.2 fixing hole



Dust Cap



Lock Handle



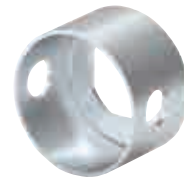
Fixing Device 1



Fixing Device 2



Spacer



Padlock adapter

Part Number	Type	Material	Standard Pack Quantity
060A2E	Lock Handle	Polyamide	100
060A3E	Fixing Device 1	Spring Steel	250
060A5E	Fixing Device 2	Die Cast Zinc	250
060A6E	Spacer	Zinc Plated Steel	50
060A7E	Dust Cap	Polyurethane	100
060A8 E	Padlock Adapter	Steel	100

All dimensions in mm

'T' & 'L' Handle Locks

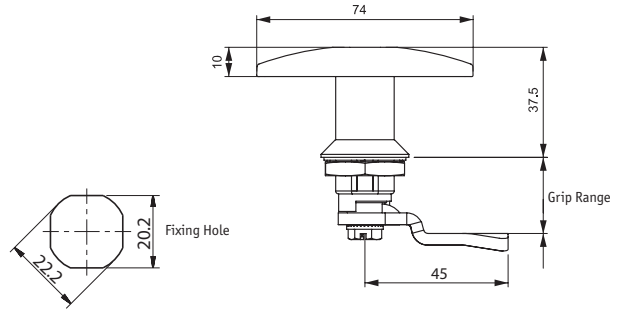
SR 5518

Body: Die-Cast Zinc Alloy with over-moulded black polyamide or chrome finish

Cam: Steel

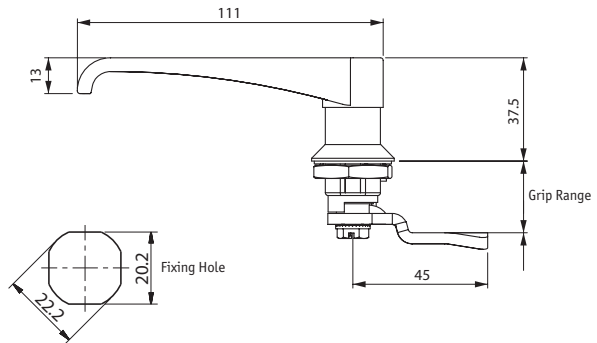


- Available as keyed alike (5333) or keyed different
- Supplied with two keys



'T' Handle Lock

Keyed Alike		Keyed Different		Grip Range (mm)	Standard Pack Quantity
Black PA Coated	Chrome	Black PA Coated	Chrome		
110200560E	110110560E	110120260E	110110260E	8.5	25
110200538E	110110538E	110120238E	110110238E	14.5	25
110200530E	110110530E	110120230E	110110230E	18.5	25
110200534E	110110534E	110120234E	110110234E	24.5	25
110200536E	110110536E	110120236E	110110236E	26.5	25
110200547E	110110547E	110120247E	110110247E	28.5	25



All dimensions in mm

'L' Handle Lock

Keyed Alike		Keyed Different		Grip Range (mm)	Standard Pack Quantity
Black PA Coated	Chrome	Black PA Coated	Chrome		
111200560E	111110560E	111120260E	111110260E	8.5	25
111200538E	111110538E	111120238E	111110238E	14.5	25
111200530E	111110530E	111120230E	111110230E	18.5	25
111200534E	111110534E	111120234E	111110234E	24.5	25
111200536E	111110536E	111120236E	111110236E	26.5	25
111200547E	111110547E	111120247E	111110247E	28.5	25

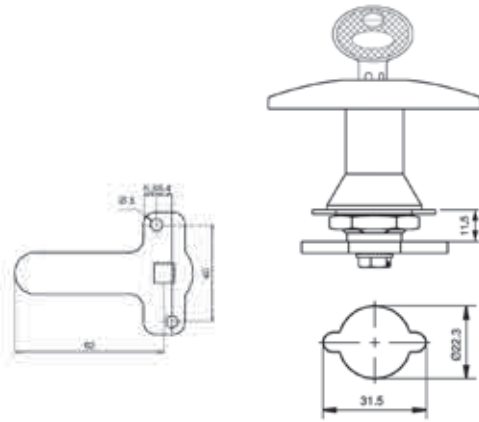
'T' & 'L' Handle Cabinet Locks

SR 5519

Body: Chrome Plated Die-Cast Zinc Alloy

Cam: Steel

- Ideal for metal document cabinet
- Keyed different
- Supplied with two keys

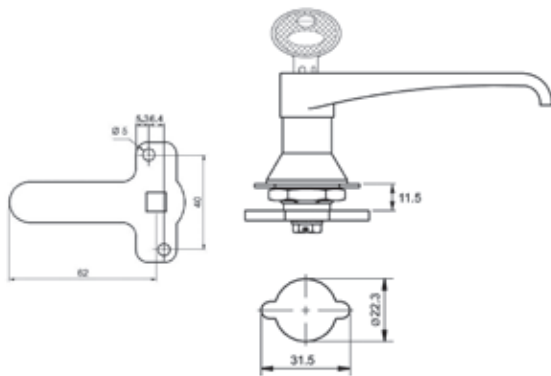


Fixing Hole



'T' Handle Lock

Part Number	Style	Standard Pack Quantity
0101102001E	Right Hand	25
0101102002E	Left Hand	25



Fixing Hole



All dimensions in mm

'L' Handle Lock

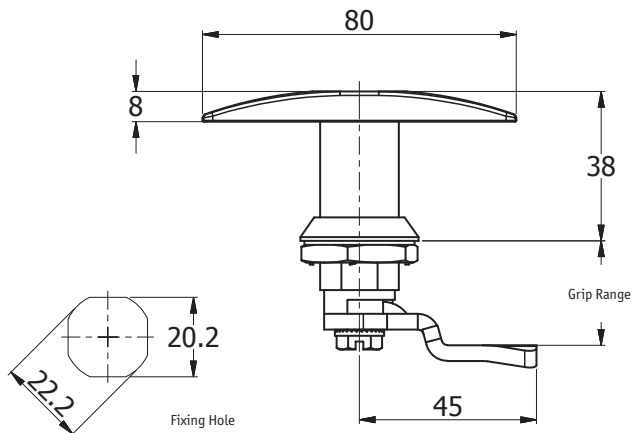
Part Number	Style	Standard Pack Quantity
0111102001E	Right Hand	25
0111102002E	Left Hand	25

'T' & 'L' Quarter Turn Blind Latch

SR 6414

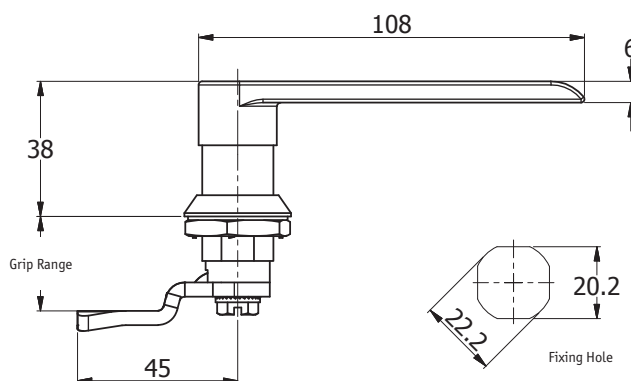
Stainless Steel 304

- Quarter turn operation



T Handle Latch

Part Number	Grip Range (mm)	Standard Pack Quantity
110400060E	8.5	25
110400038E	14.5	25
110400030E	18.5	25
110400034E	24.5	25
110400036E	26.5	25
110400047E	28.5	25



L Handle Latch

Part Number	Grip Range (mm)	Standard Pack Quantity
111400060E	8.5	25
111400060E	14.5	25
111400030E	18.5	25
111400034E	24.5	25
111400036E	26.5	25
111400047E	28.5	25

Cupboard Locks

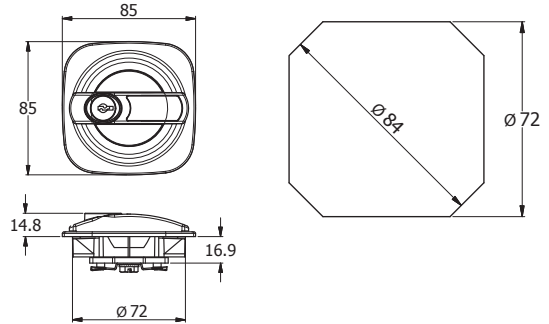
SR 5476

Die-Cast Zinc Alloy

- Steel knobbed cupboard lock with a plastic body
- Suitable for steel cupboards
- Rod assembly made easy by special fixing plate
- Clip on body aids assembly
- Includes stainless steel dust cap

Type 1 – Keyed Alike

Type 2 – Keyed Different



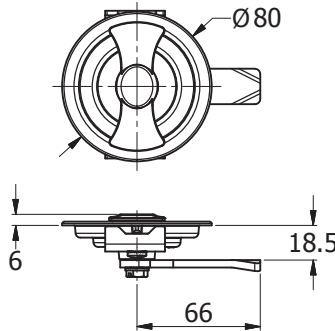
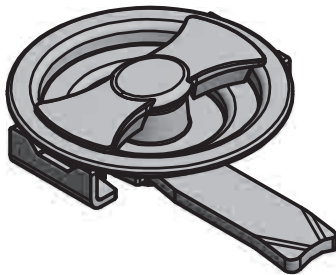
Part Number	Type	Finish	Standard Pack Quantity
03520110101E	1	Chrome	20
03520110201E	2	Chrome	20
03520120101E	1	Black Coated	20
03520120201E	2	Black Coated	20

Heavy Duty Cabinet Locks

SR 5481

Die-Cast Zinc Alloy

- Specialised fixing plate ensures easy fixing
- Flush design provides flat surface on cabinet
- Chrome finish



Part Number	Grip Range (mm)	Standard Pack Quantity
0132111170E	18.5	2

Heavy Duty Paddle Latch

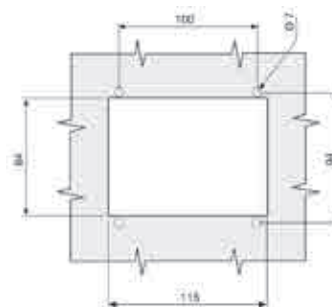
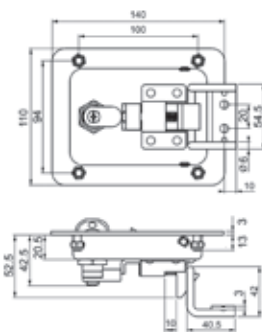
SR 5538

Body and Handle: Black Steel or Polyamide

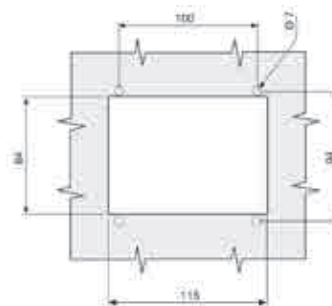
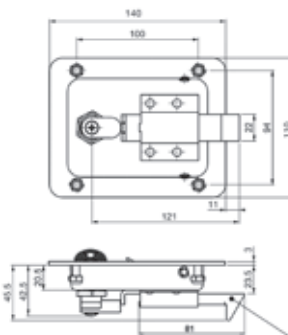
Cam: Steel or Brass

- Available in Eurokey or keyed different
- For all types: Lock can be opened from the inside by moving the cam
- Keyed alike with stainless steel shutter
- Supplied with one key 4444
- IP54

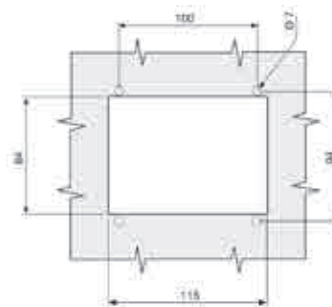
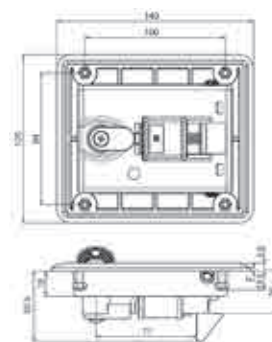
Type 1



Type 2



Type 3



Locking Device



Locking Device

Part Number	Body & Handle Material	Standard Pack Quantity
016A71E	Steel - Zinc Plated	5

Locks

Keyed Alike	Keyed Different	Type	Style	With Seal	Locking Device Needed	Body & Handle Material	Cam Material	Standard Pack Quantity
01662031E	01662321E	1	Slam Shut Operation	Yes	Yes	Steel - Black Coated	Brass	5
01662033E	01662323E	2	Long Cam	Yes	No	Steel - Black Coated	Steel	5
016200301E	016203201E	3	Slam Shut Operation	No	Yes	Black Polyamide	Brass	5

IP65 T Handle Heavy Duty Lock - Padlockable

SR 5015

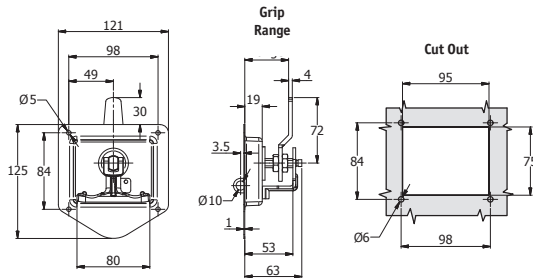
Body: Stainless Steel

Handle: Zamak DIN-EN 1774-ZnAl4Cu1

Pad Lock Hasp: Stainless Steel

Cam: Steel

- Suitable for special equipment cases
- Adjustable cam provides different grip range
- Maximum padlock shackle diameter 9 mm



Part Number	Grip Range (mm)	Standard Pack Quantity
11540	39.0 to 54.0	5

IP65 T Handle Heavy Duty Lock

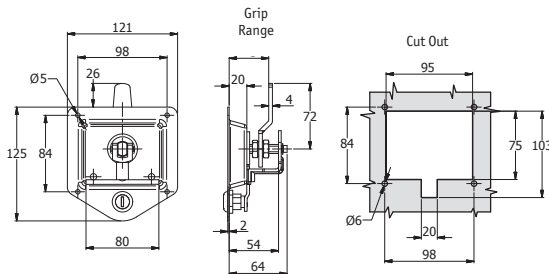
SR 5016

Body: Stainless Steel

Handle: Zamak DIN-EN 1774-ZnAl4Cu1

Cam: Steel

- Suitable for special equipment cases
- Adjustable cam provides different grip range



Part Number	Grip Range (mm)	Standard Pack Quantity
21500	39.0 to 54.0	5

Sliding Lock

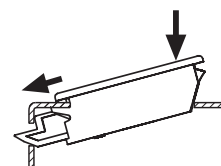
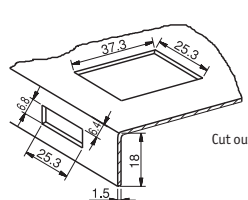
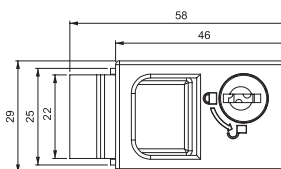
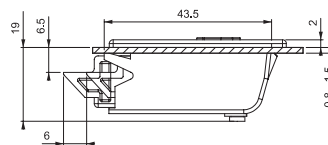
SR 5017

Body: PA6 GFR 30

Spring: Stainless steel

Cylinder: Zamak DIN-EN 1774-ZnAl4Cu1

- Cylinder locking system
- Two piece design prevents paint problems on doors
- Suitable for small size doors
- Easy assembly is possible with clips on the body
- Panel thicknesses of 0.8mm - 1.5mm



Follow the arrows instruction for assembly
Open or close supplied by internal movable parts

Part Number	Key Type	Standard Pack Quantity
57103E	Alike	100
57132E	Differ	100

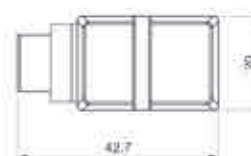
Mini Sliding Lock

SR 5018

Body: ABS

Spring: Stainless steel

- Suitable for small doors inside panels
- Suitable for panel thicknesses of 0.8mm to 1.5mm



Part Number	Panel Thickness (mm)	Standard Pack Quantity
47112E	0.8 - 1.2	250
47115E	1.2 - 1.5	250

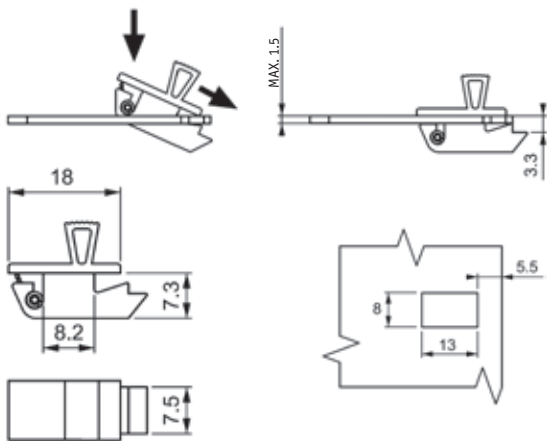
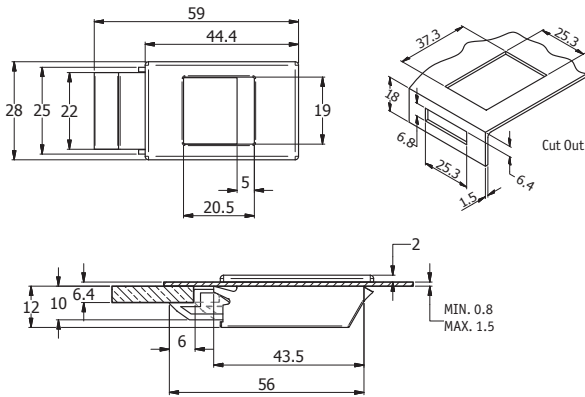
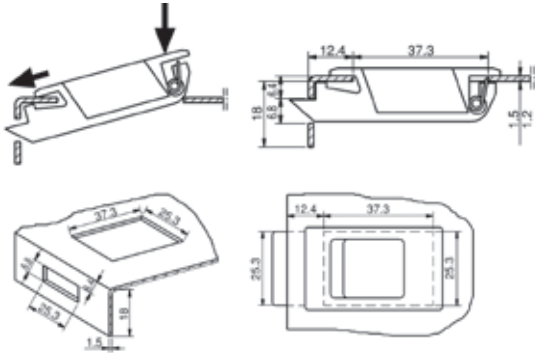
Sliding Locks

SR 5539

Body: ABS

Spring: Stainless Steel

- Easy fixing
- Quick slide movement releases catch
- Mini Lock suitable for small panel doors



Sliding Lock

Part Number	Max Panel Thickness (mm)	Standard Pack Quantity
07112E	1.2	250
07115E	1.5	250



Sliding Lock - 2 parts mechanism

Part Number	Max Panel Thickness (mm)	Standard Pack Quantity
271	1.5	250



Mini Sliding Lock

Part Number	Max Panel Thickness (mm)	Standard Pack Quantity
171E	1.5	250

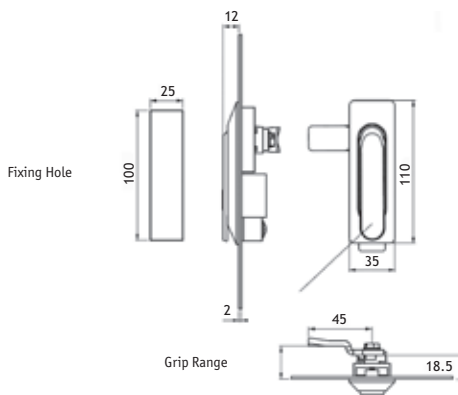
Small Swing Handles

SR 5537



Type 4

Type 5



Type 4 & 5

No Lock	Part Number		Type	Grip Range (mm)	Body Material	Handle Material	Standard Pack Quantity
	Keyed Alike	Keyed to Differ					
031820234E	-	-	4	24.5	Polyamide	Polyamide	5
031820236E	-	-	4	26.5	Polyamide	Polyamide	5
3182020047E	-	-	4	28.5	Polyamide	Polyamide	25
-	3081220534E	3081223234E	5	24.5	Polyamide	Die Cast Zinc Alloy	5
-	03081220536E	3081223236E	5	26.5	Polyamide	Die Cast Zinc Alloy	5
-	3081220547E	3081223247E	5	28.5	Polyamide	Die Cast Zinc Alloy	5
-	03082020534E	3082023234E	5	24.5	Polyamide	Polyamide	5
-	03082020536E	3082023236E	5	26.5	Polyamide	Polyamide	5
-	03082020547E	3082023247E	5	28.5	Polyamide	Polyamide	5

Swing Handle

SR 5019

Body: Polyamide DIN-EN ISO 1043-1 PA6 GFR30

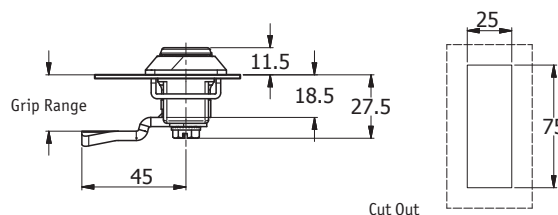
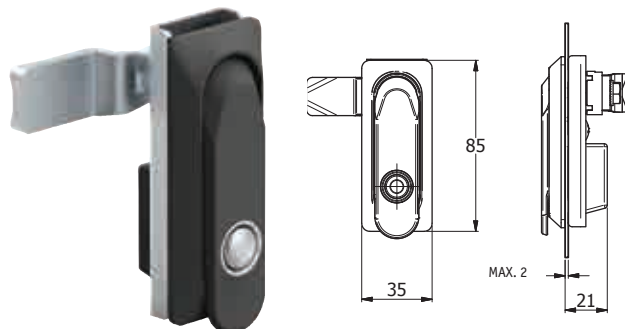
Handle: Polyamide DIN-EN ISO 1043-1 PA6 GFR30

Button: Zamak DIN-EN 1774-ZnAl4Cu 1

Cam: Steel

Seal: Rubber

- Can be used for internal applications
- The lock can be opened by pressing the button
- Ideal for electric panels, machinery covers and rack cabinets
- No key



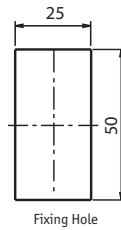
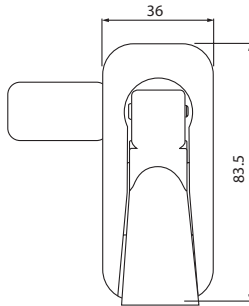
Part Number		Grip Range (mm)	Standard Pack Quantity
Chrome	Black Coated		
708201134	708201234	24.5	25
708201136	708201236	26.5	25
708201147	708201247	28.5	25

Lift & Turn Cam Latches

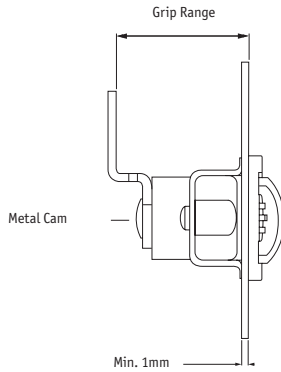
SR 5512

Polyamide Body

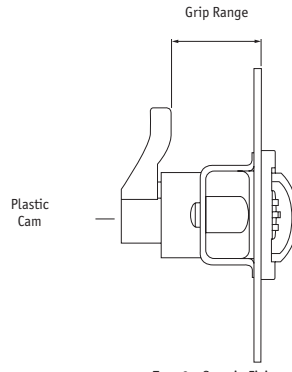
- Low profile handle stows away when not in use
- 90° rotation
- Simple assembly using bracket or snap in fixing



Fixing Hole

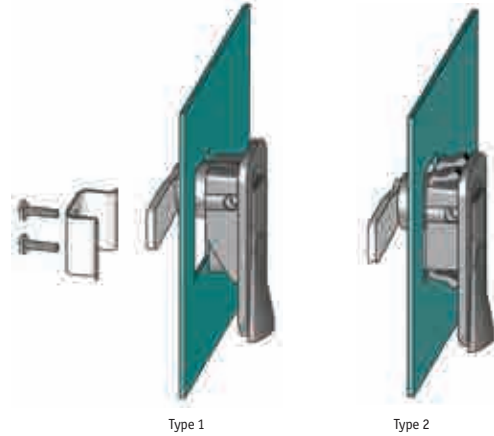


Type 1 – Screw on Fixing



Type 2 – Snap in Fixing

Suitable for panel thickness from 0.8 - 2.0mm



Type 1

Type 2

All dimensions in mm

Part Number		Type	Grip Range (mm)	Cam Length (mm)	Cam Type	Standard Pack Quantity
Right Hand Door	Left Hand Door					
072180001E	072180002E	1	25	25	Plastic	50
072150001E	072150002E	1	29	43	Steel	50
072151001E	072151002E	1	36	40	Steel	50
072152001E	072152002E	1	39	37	Steel	50
072280001E	072280002E	2	25	25	Plastic	50
072250001E	072250002E	2	29	43	Steel	50
072251001E	072251002E	2	36	40	Steel	50
072252001E	072252002E	2	39	37	Steel	50

Large Swing Handles

SR 5537

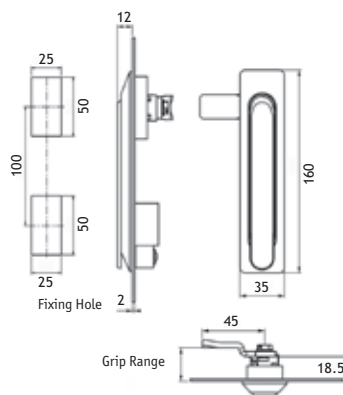
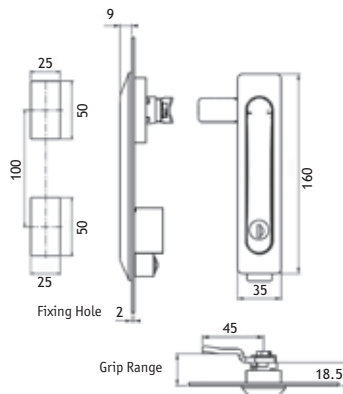
- Type 1 - Metal body handle is durable and secure
- Type 2 - All plastic version
- Available as keyed alike (5333) or keyed different
- Keyed versions have a stainless steel keyhole cover
- Slam action spring-loaded handle
- Can be used indoors or outdoors
- Ideal for cabinets and enclosures



Type 1



Type 2



Type 1

Part Number		Chrome		Grip Range (mm)	Body Material	Handle Material	Standard Pack Quantity
Keyed Alike	Keyed Different	Keyed Alike	Keyed Different				
108220534E	108223234E	-	-	24.5	Polyamide	Die-cast Zinc Alloy	25
108220536E	108223236E	-	-	26.5	Polyamide	Die-cast Zinc Alloy	25
108220547E	108223247E	-	-	28.5	Polyamide	Die-cast Zinc Alloy	25
10812120534E	10812123234E	10811110534E	10811113234E	24.5	Die-cast Zinc Alloy	Die-cast Zinc Alloy	25
10812120536E	10812123236E	10811110536E	10811113236E	26.5	Die-cast Zinc Alloy	Die-cast Zinc Alloy	25
10812120547E	10812123247E	10811110547E	10811113247E	28.5	Die-cast Zinc Alloy	Die-cast Zinc Alloy	25

Type 2

Part Number			Grip Range (mm)	Body Material	Handle Material	Standard Pack Quantity
Keyed Alike	Keyed Different	No Lock				
208200534E	208203234E	2182034E	24.5	Polyamide	Polyamide	25
208200536E	208203236E	2182036E	26.5	Polyamide	Polyamide	25
208200547E	208203247E	2182047E	28.5	Polyamide	Polyamide	25

Swell Lock

SR 5022

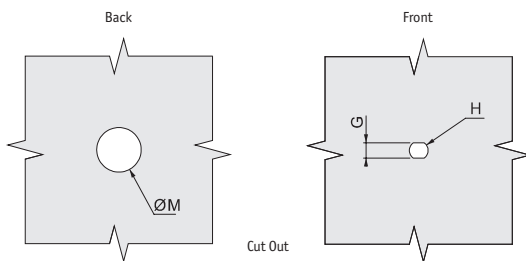
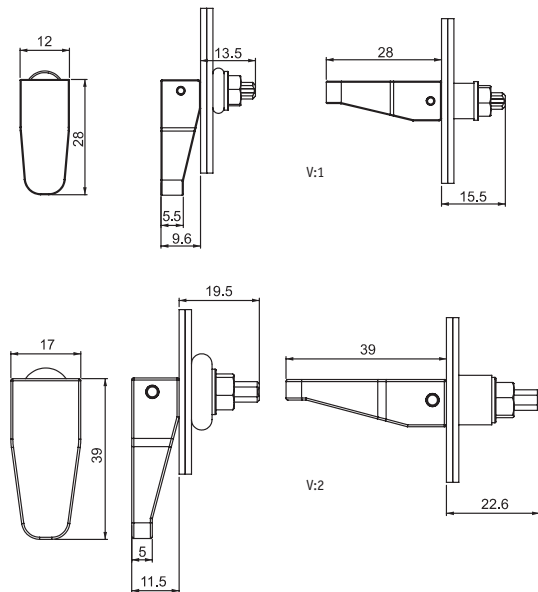
Handle: Polyamide DIN-EN ISO 1043-1 PA6 GFR 30

Washer: PA66

Nut: PA66

Bushing: SBR Rubber

- Used for the cabinets that require better performance under vibration conditions
- Suitable with special cut out for different frame thickness



Part Number		Dimension (mm)				Standard Pack Quantity
V:1	V:2	G	H	Frame Thickness	Cut Out	
270201E	270201E	3.3	4.1	3.2	9.5	50
270202E	270202E	4.5	5.8	up to 3.2 3.2 - 4.8	13.5 14	50

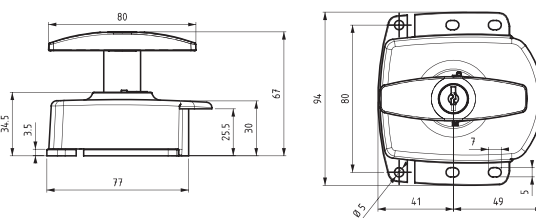
HVAC Lock Handles

SR 5020

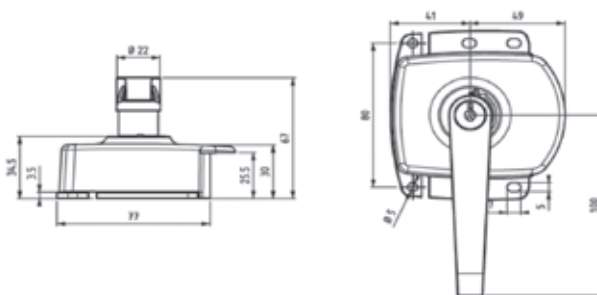
Body: Zamak DIN-EN 1774-ZnAl4Cu1

Handle: Zamak DIN-EN 1774-ZnAl4C or PA6 GFR 30

- Outside locking system provides safety for pressurised doors



V:1



V:2

Part Number		Driver	Standard Pack Quantity
V:1	V:2		
612110121200E	612111121200E	No Cylinder	10
612110121203E	612111121203E	Euro Key	10

Trigger Latch

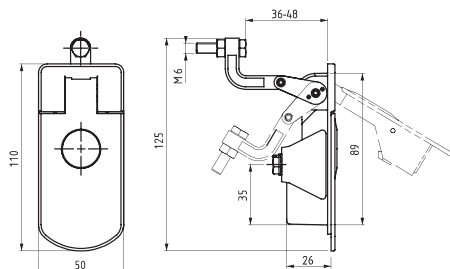
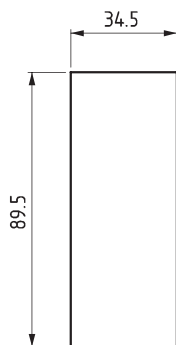
SR 5021

Body: Zamak DIN-EN 1774-ZnAl4Cu1

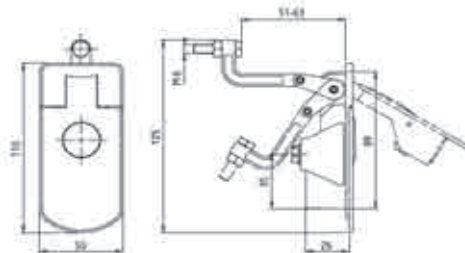
Handle: Zamak DIN-EN 1774-ZnAl4Cu1

Fixing Bracket: Steel

- Available with or without cylinder
- 36mm to 48mm grip adjustment
- Suitable for maximum 2mm door thickness
- Assemble lock with one fixing bracket



V:1



V:2

Part Number		Driver	Standard Pack Quantity
V:1	V:2		
3771200E	3772200E	No Cylinder	10
3771207E	3772207E	CH751 (SS dust cap)	10

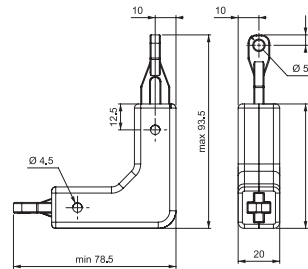
Rod Corner Control

Body: Polyamide PA6 GFR 30

Rods: Zamak DIN-EN 1774-ZnAl4Cu1

- Used to convert the vertical movement of the flat rods to horizontal movement
- 8-point locking is possible for security reasons

Part Number	Standard Pack Quantity
RCCE	100



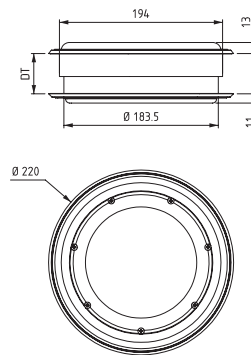
Circular Inspection Window

Window: Polycarbon

Gasket: Termo rubber

- Visual inspection of HVAC enclosures
- Adjustable for 30-60 mm isolated doors

Part Number	DT (mm)	Standard Pack Quantity
22203E	30	10
22204E	40	10
22205E	50	10
22206E	60	10



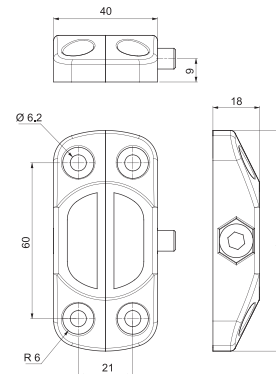
Clamps

Body: Zamak DIN-EN 1774-ZnAl4Cu1

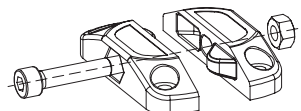
Bolt: Steel

Nut: Steel

- Available in all die-cast zinc alloy
- 3D capability
- High mechanical resistance



Part Number	Finish	Standard Pack Quantity
07810E	No Finish	50
07813E	Zinc Plated	50
07812E	Black Coated	50

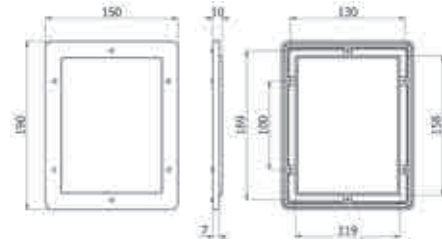


Counter Screens/Inspection Window

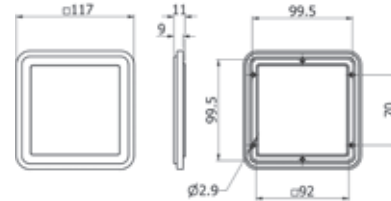
SR 5570

ABS

- Allows counters, dials and instruments to be viewed from outside the enclosure
- Supplied with a sealing O-ring



Large



Small

Part Number	Type	Standard Pack Quality
2215E	Small	10
2216E	Large	10

Drawing Pocket

SR 5522

Beige ABS

- Type 1: For use with A4 size documents
- Type 2: For use with A5 size documents
- Self-adhesive strips for quick attachment
- Typical applications include machinery covers and electric panels

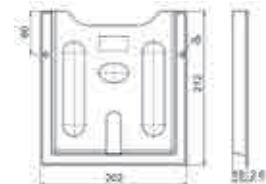
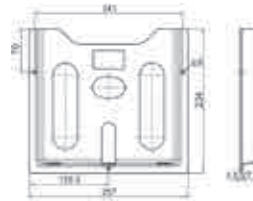
Type 1

Type 2



Type 1

Type 2



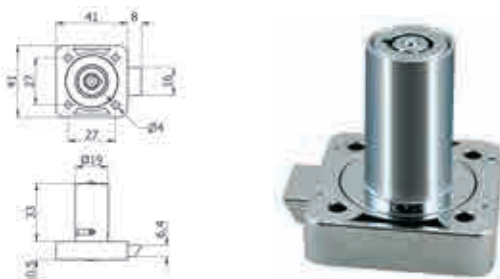
Part Number	Type	Style	Standard Pack Quality
2150E	1	A4	50
2152E	2	A5	100

Drawer Lock, Sprung Bolt

SR 1887

Die-Cast Zinc Alloy

- High security, rim/surface fixing, sprung latch, slam shut drawer lock
- Recommended for wooden drawers
- For added security, the lock has an anti-drill centre and the key is removable only in the locked position



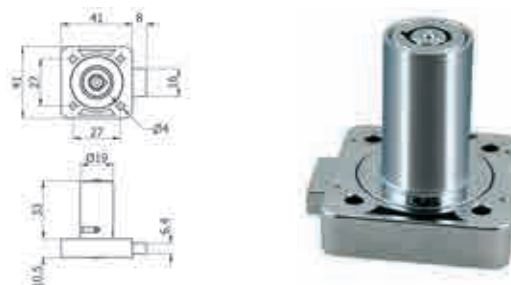
Part Number	Keying	Standard Pack Quantity
492858	Keyed alike	5

Drawer Lock, Dead Bolt

SR 1887

Die-Cast Zinc Alloy

- High security, rim/surface-fixing drawer lock
- Recommended for wooden drawers used to store valuable documents
- For added security, the lock has an anti-drill centre and the key is removable only in the locked position



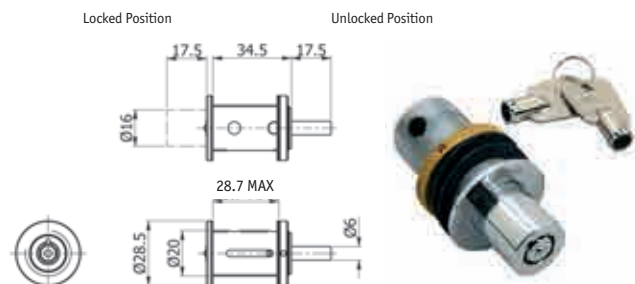
Part Number	Keying	Standard Pack Quantity
492856	Keyed alike	5

Pull Lock for Glass Doors

SR 1887

Die-Cast Zinc Alloy

- Fitted to the rear-most of two sliding glass doors, the inner body springs forward to prevent the doors opening
- Ideal for display cases containing high value items
- Also suitable for glass-fronted notice boards, etc
- The lock has an anti-drill centre



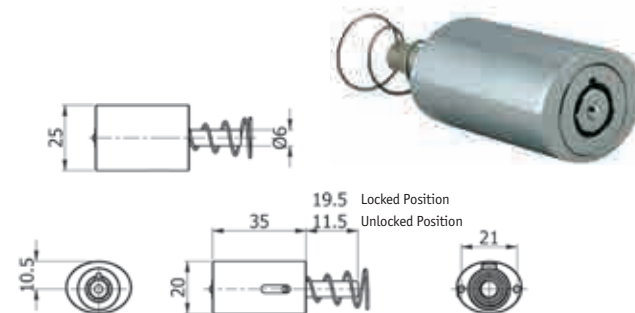
Part Number	Keying	Standard Pack Quantity
492860	Keyed alike	5

Bottom Rail Pushlock

SR 1887

Die-Cast Zinc Alloy

- Locks through the bottom rail of a sliding glass door
- The 'push to lock' action saves time in busy retail environments
- For added security, the lock has an anti-drill centre



Part Number	Keying	Standard Pack Quantity
492862	Keyed alike	5

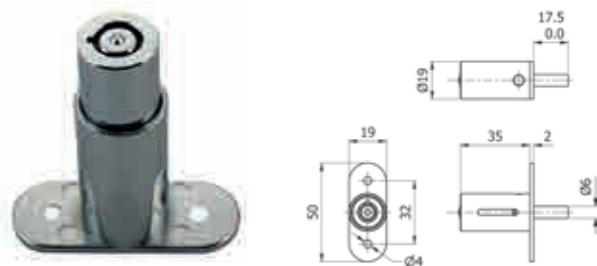
DISPLAY LOCKS

Pushlock, Flange Fixing

SR 1887

Die-Cast Zinc Alloy

- Designed specifically for sliding wooden doors, this pushlock is ideal for stock cupboards, counter units and wooden display cabinets
- The 'push to lock' action saves time in busy retail environments
- Offers a good level of security and has an anti-drill centre



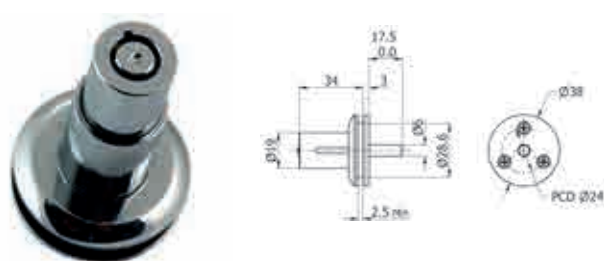
Part Number	Keying	Standard Pack Quantity
492864	Keyed alike	5

Pushlock for Glass Doors

SR 1887

Die-Cast Zinc Alloy

- A stylish pushlock offering a good level of security for sliding glass doors
- Ideal for display cases containing high value items
- The 'push to lock' action saves time in busy retail environments
- Lock has an anti-drill centre



Part Number	Keying	Standard Pack Quantity
492866	Keyed alike	5

Replacement Keys

SR 1887

Steel

- Should the tubular key to one of the locks be lost or stolen, or you would find it useful to have a spare, we can supply an accurate copy of the original
- For use with SR1887



Part Number	Standard Pack Quantity
492867	2

Key Tags

SR 1887

Plastic

- Very economical plastic key tag with inlay card, window and metal split ring
- Helps with good key management and security in retail premises
- Eight assorted colours



Part Number	Standard Pack Quantity
492905	100

Furniture Locks

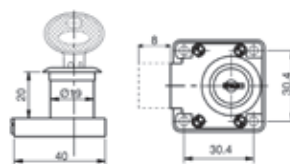
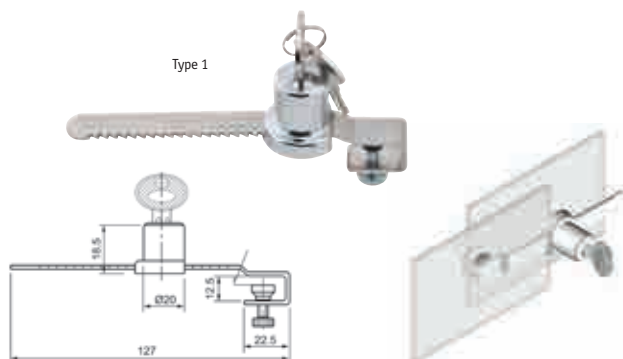
SR 5543

Type 1: Chrome Plated Steel body with Stainless Steel Slide

- Max. panel thickness = 6mm

Type 2 & 3: Chrome Plated Steel

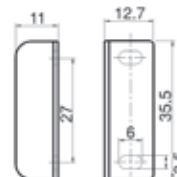
- Type 1: Ideal for glass doors
- Type 2: Wooden furniture locks suitable for drawers, cupboards, etc.
- Keyed different



Type 3



Type 2



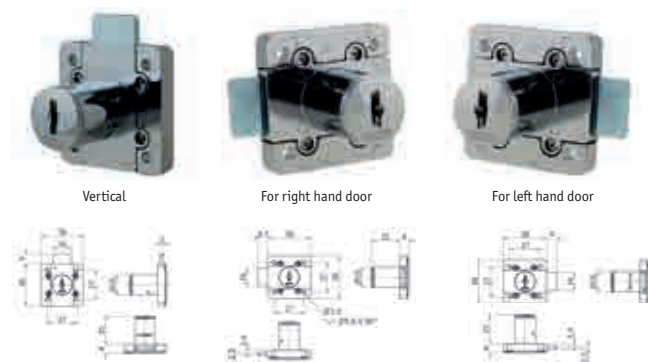
Part Number	Type	Style	Standard Pack Quantity
02002E	1	Glass Door Lock	25
03202E	2	Wooden Lock	25
030A1E	3	Lock Catch	1000

Rim Lock

SR 1887

Die-Cast Zinc Alloy

- A stylish lock for drawers, cabinets and hinged doors
- Offers above-average security for its type with 500 key combinations
- 2.5mm thick steel locking bolt and a removable lock cylinder



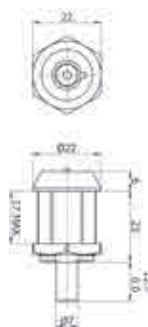
Part Number	Type	Keying	Standard Pack Quantity
492872	Vertical bolt throw	Keyed alike	5
492873	Vertical bolt throw	Keyed to differ	5
492874	For right hand doors	Keyed alike	5
492875	For right hand doors	Keyed to differ	5
492876	For left hand doors	Keyed alike	5
492877	For left hand doors	Keyed to differ	5

Pushlock, Nut Fixing

SR 1887

Die-Cast Zinc Alloy

- Radial pin tumbler lock offers a convenient 'push to lock, key to open' operation
- Fits a standard 19mm x 16mm 'double D' hole
- Suitable for applications such as sliding doors, display cabinets, security grilles and shutters
- Features enhanced key security and an anti-drill centre



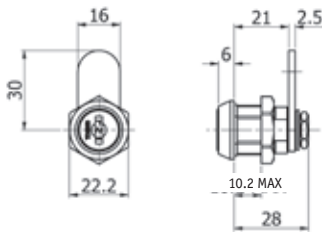
Part Number	Keying	Standard Pack Quantity
492868	Keyed alike	5
492869	Keyed to differ	5

Cam Lock, 10 Disc Tumbler

SR 1887

Die-Cast Zinc Alloy

- Provides above-average security for cabinets, lockers, display units, stock cupboards, etc.
- 1,000 key combinations available
- The locking/unlocking action prevents the cam from falling back under its own weight if keys are left in the lock
- Fits a standard 'double D' mounting hole, using the fixing nut
- Refer to page 420 for cam style



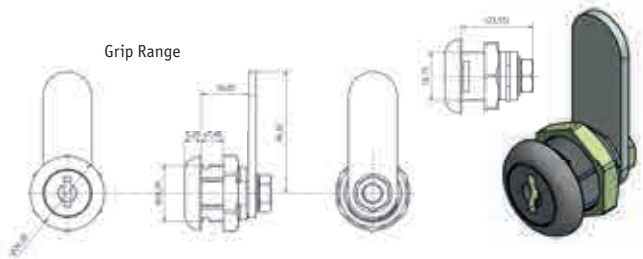
Part Number	Keying	Cam Type	Standard Pack Quantity
492889	Keyed alike	Type 2	10
492890	Keyed to differ	Type 2	10

Cam Lock, 5 Disc Tumbler

SR 1887

Die-Cast Zinc Alloy

- A budget priced disc tumbler lock for use where low cost is of greater consideration than high security
- Offers 200 different key combinations
- Manufactured from die-cast alloy and has a stainless steel cap
- Refer to page 420 for cam style



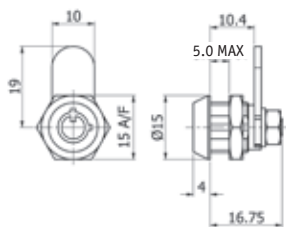
Part Number	Grip Range (mm)	Keying	Cam Type	Standard Pack Quantity
492883	16.0	Keyed alike	Type 2	10
492884	16.0	Keyed to differ	Type 2	10
492885	23.0	Keyed alike	Type 2	10
492886	23.0	Keyed to differ	Type 2	10
492887	30.0	Keyed alike	Type 2	10
492888	30.0	Keyed to differ	Type 2	10

Miniature Cam Lock, Radial Pin Tumbler

SR 1887

Die-cast Alloy

- A cam lock offering full security and functionality for applications where space is limited
- Suitable for use on cabinets, display units, stock cupboards and other applications with doors, panels or flaps that need to be secured



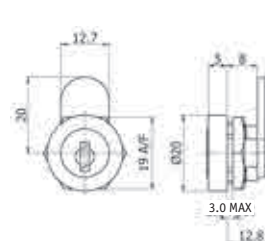
Part Number	Keying	Standard Pack Quantity
492893	Keyed alike	25

Miniature Cam Lock, 5 Disc Tumbler

SR 1887

Die-cast Alloy

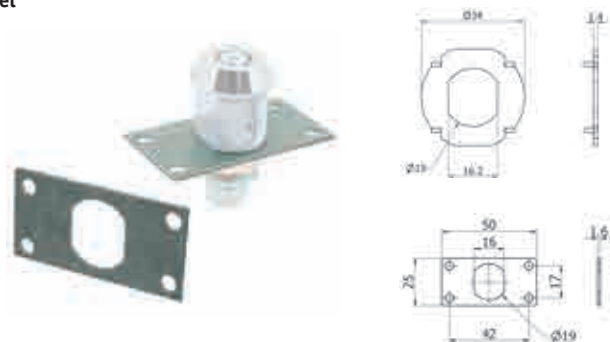
- A cam lock that delivers surprising versatility in such a small package
- Suitable for use on low security cabinets, display units, stock cupboards and other applications with doors, panels or flaps that need to be secured
- 200 different key combinations are produced



Part Number	Keying	Cam Type	Standard Pack Quantity
492891	Keyed alike	20mm flat	25
492892	Keyed to differ	20mm flat	25

Cam Lock Wood Washer and Cam Lock Locating Plate

SR 1887
Steel

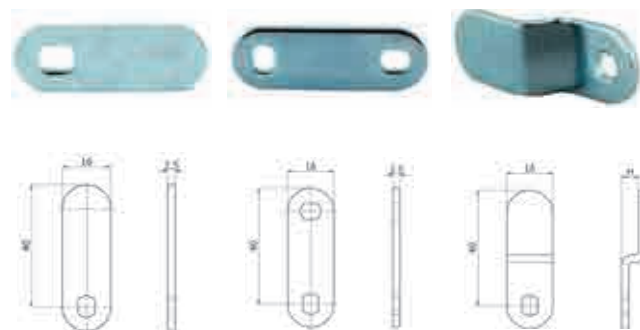


- The wood washer prevents a cam lock from rotating in wooden applications where it is convenient to drill a round hole for fitting the lock
- The locating or mounting plate is steel and enables a cam lock with a 19mm x 15.9mm 'double D' profile to be fixed securely
- Supplied in packs of 50

Part Number	Part Name	Standard Pack Quantity
492903	Cam Lock Wood Washer	50
492904	Cam Lock Locating Plate	50

Alternative Steel Cams, Type 1

SR 1887
Steel

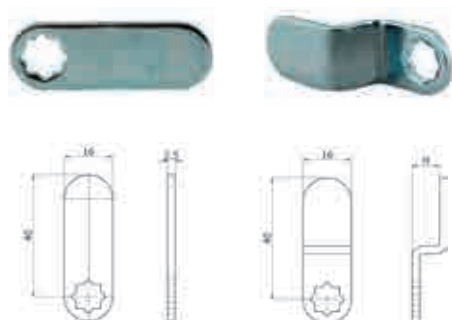


- To fit Part number 492878 through to 492882
- Zinc plated to resist corrosion
- Cranked cams are used to increase or decrease the 'effective length' of the cam lock
- Part number 492895 has both a vertical and a horizontal hole to allow fitting at all four 'quarter hour' positions

Part Number	Description	Standard Pack Quantity
492894	Flat; vertical hole	50
492896	3mm crank	50
492897	6mm crank	50
492898	9mm crank	50

Alternative Steel Cams, Type 2

SR 1887
Steel



- To fit part number 492883 through to 492890
- Zinc plated to resist corrosion
- Cranked cams are used to increase or decrease the 'effective length' of the cam lock

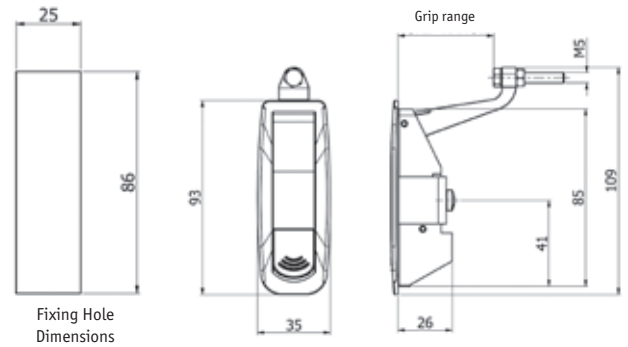
Part Number	Description	Standard Pack Quantity
492899	Flat; vertical hole	50
492900	3mm crank	50
492901	9mm crank	50
492902	12mm crank	50

Flush Trigger Handle Latches

SR 5090

Black Powder-Coated Die-cast Zinc

- Flush trigger design
- 0-24mm or 24-46mm adjustable grip range
- Available as keyed alike (5333), keyed different or no lock
- Supplied with two keys per lock
- Suitable for panel thickness of $\leq 2\text{mm}$



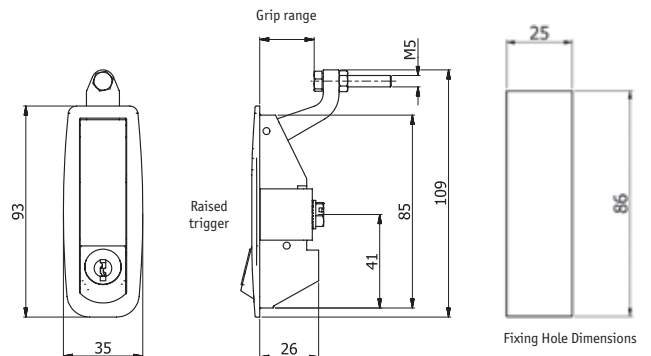
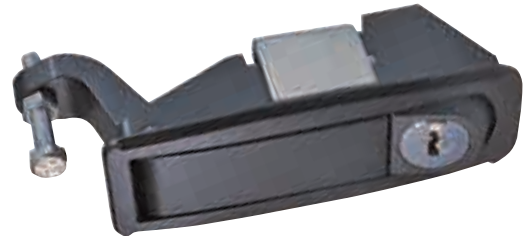
Part Number	Grip Range (mm)	Locking Mechanism	Standard Pack Quantity
0772200E	0-24	No	40
0772201E	0-24	Keyed Alike	40
0772202E	0-24	Keyed Different	40
0771200E	24-46	No	40
0771201E	24-46	Keyed Alike	40
0771202E	24-46	Keyed Different	40

Raised Trigger Handle Latches

SR 5090

Black Powder-Coated Die-cast Zinc

- Raised trigger design
- 0-24mm or 24-46mm adjustable grip range
- Available as keyed alike (5333), keyed different or no lock
- Supplied with two keys per lock
- Suitable for panel thickness of $\leq 2\text{mm}$



Part Number	Grip Range (mm)	Locking Mechanism	Standard Pack Quantity
1772200E	0-24	No	40
1772201E	0-24	Keyed Alike	40
1772202E	0-24	Keyed Different	40
1771200E	24-46	No	40
1771201E	24-46	Keyed Alike	40
1771202E	24-46	Keyed Different	40

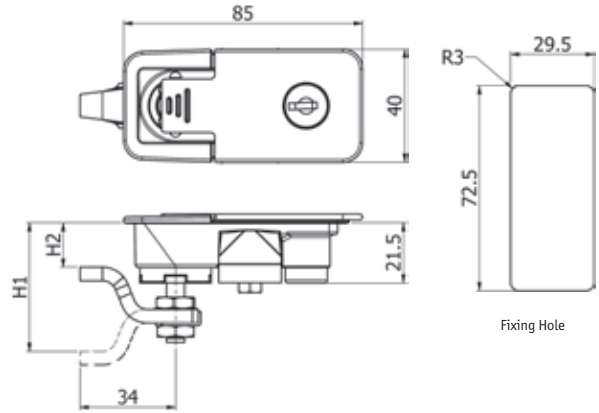
COMPRESSION LOCKS

Lift and Turn Compression Latch

SR 5435

Black Powder Coated Zinc Alloy

- Lift and turn operation
- 3mm compression action
- Can be forward (H1) or reversed (H2)
- Simple grip range adjustment
- Locking version supplied with 2 keys (CH751)
- To suit 1-3.5mm panel thickness



Fixing Hole

Part Number	Dimensions (mm)		Locking Mechanism	Standard Pack Quantity
	H ₂	H ₁		
493590	6.0 - 16.0	56.0 - 66.0	Ch751	5
493591	16.0 - 26.0	46.0 - 56.0	Ch751	5
493592	6.0 - 16.0	56.0 - 66.0	Non Locking	5
493593	16.0 - 26.0	46.0 - 56.0	Non Locking	5

Mini Push to Close Lock

SR 5548

Body: Polyamide

Handle: Die-Cast Zinc Alloy

Cam: Acetyl

Mounting Bracket: Steel

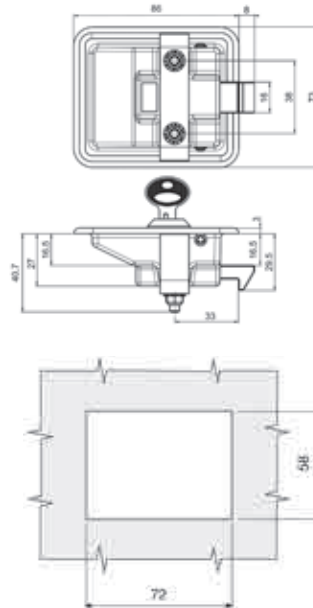
- Ideal for generators with small doors and panels etc.
- Supplied with two standard Euro keys (5333)



Type 1



Type 2



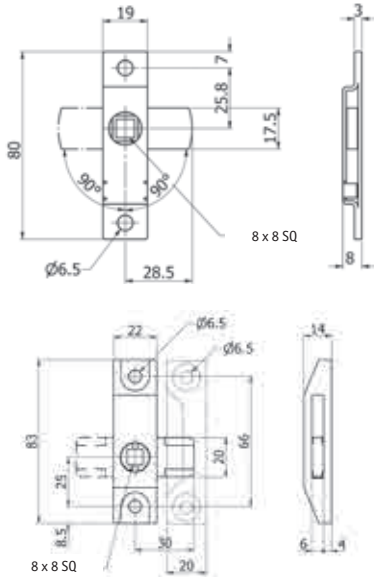
Part Number	Type	Style	Standard Pack Quantity
11601E	1	Key Lock	1
11600E	2	Blind	1

Budget Locks

SR 5579

Steel, 304 Stainless Steel & Polyamide

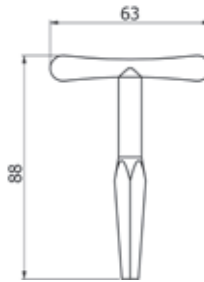
- Both right and left hand application possible
- Ideal for concealed locking mechanisms
- Type 2 is supplied with strike plate



Type 1



Type 2



Key

Part Number	Type	Material	Standard Pack Quantity
493475	1	Steel	50
493476	1	304 Stainless Steel	50
493477	2	Polyamide	50
493478	Key	Cast Iron	50

HVAC Lock

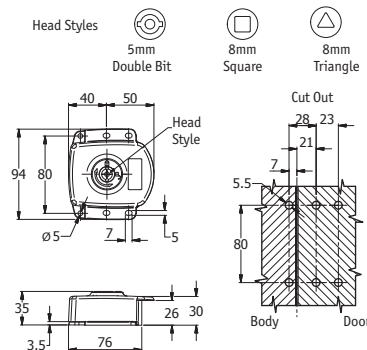
SR 5026

Body: Zamak DIN-EN 1774-ZnAl4Cu1

Driver: Zamak DIN-EN 1774-ZnAl4Cu1

Finish: Black Coated

- Outside locking system provides safety for the pressurized door
- Ideal for heating and ventilation panels



Part Number	Head Style	Standard Pack Quantity
612121215	5mm Double Bit	25
612121228	8mm Square	25
612121238	8mm Triangle	25

COMPRESSION LOCKS

HVAC Handles

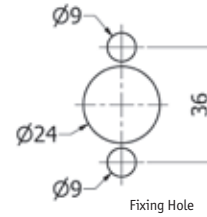
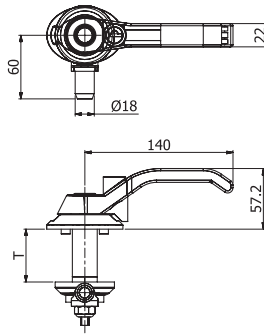
SR5566

Nylon body with steel cam

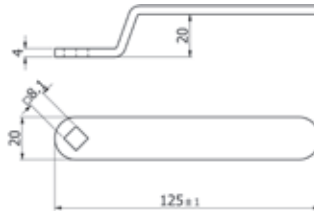
- Can be used for left or right hand doors
- Roller cam allows locking using low force
- Removable handle allows easy on-site fitting
- Available with Eurokey (5333) or no lock
- Internal handle enables safe opening from the inside



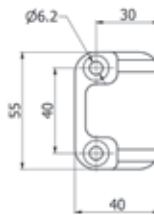
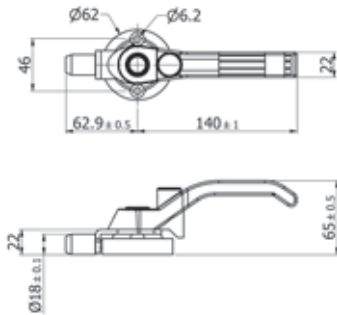
HVAC Handle



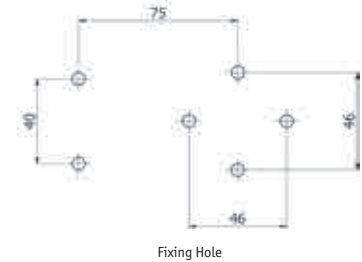
Safety Handle



Outside Locking Handle



Catchplate



Fixing Hole

HVAC Handle

Part Number	Type	T	Standard Pack Quantity
0121500001E	No Lock	50	10
0122600001E	No Lock	60	10
0121800001E	No Lock	80	10
0121500501E	Eurokey	50	10
0121600501E	Eurokey	60	10
0121800501E	Eurokey	80	10

Safety Handle

Part Number	Type	Standard Pack Quantity
012A1E	Safety Handle	50

Outside Locking Handle

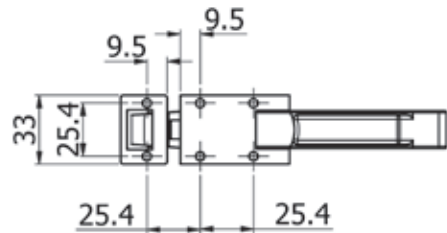
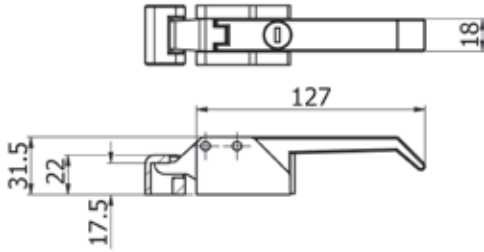
Part Number	Type	Standard Pack Quantity
01220001E	Outside Locking Handle	10
012A2E	Catch Plate	50

Over Centre Compression Lever

SR5434

Black Powder Coated Zinc

- Easy to use compression latch
- Provides good gasket compression
- Keyed version supplied with two keys
- To suit M5 Fixings (not supplied)



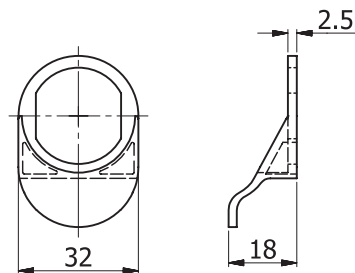
Part Number	Type	Standard Pack Quantity
493598	Keyed Alike	1
493599	No Lock	1

Push Button Latch

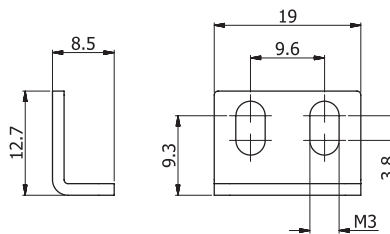
SR5598

Black ABS

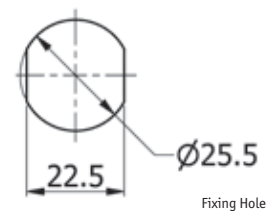
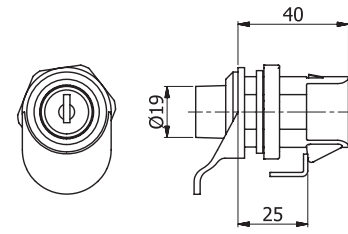
- Push button opening
- Slam shut action
- Single hole installation
- To suit panel thickness up to 16mm
- Complete with handle pull and catch plate
- Supplied with two keys (CH751)



Handle



Catch Plate



Fixing Hole

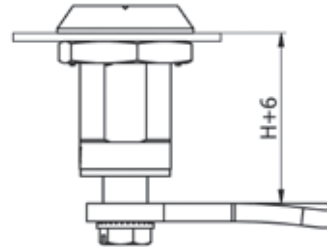
Part Number	Blind Cap	Standard Pack Quantity
493578	N	8
601511	Y	8

Fixed Compression Latches

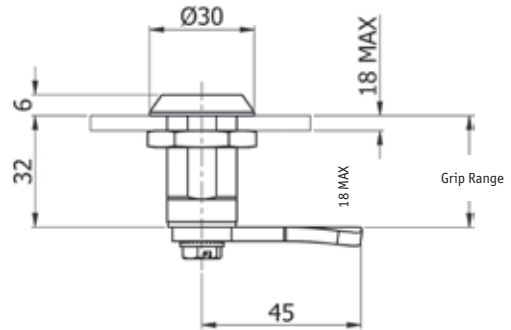
SR 5551

Black Powder Coated Die-Cast Zinc

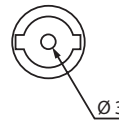
- IP65
- 6mm Compression
- When key is turned to 90° cam turns to locking position
- When key is turned to 180° cam moves to fixing position
- Latch provides good compression and noise isolation
- Left-handed



Latch has 6mm compression



Part Number	Head Style	Grip Range (mm)	Standard Pack Quantity
0401121361E	3mm Double Bit	20	50
0401121360E	3mm Double Bit	22	50
0401121359E	3mm Double Bit	24	50
0401121338E	3mm Double Bit	28	50
0401121330E	3mm Double Bit	32	50
0401121331E	3mm Double Bit	35	50
0401121334E	3mm Double Bit	38	50
0401123761E	7mm Triangle	20	50
0401123760E	7mm Triangle	22	50
0401123759E	7mm Triangle	24	50
0401123738E	7mm Triangle	28	50
0401123730E	7mm Triangle	32	50
0401123731E	7mm Triangle	35	50
0401123734E	7mm Triangle	38	50
0401124261E	Slotted	20	50
0401124260E	Slotted	22	50
0401124259E	Slotted	24	50
0401124238E	Slotted	28	50
0401124230E	Slotted	32	50
0401124231E	Slotted	35	50
0401124234E	Slotted	38	50
0401129461E	Wingknob	20	50
0401129460E	Wingknob	22	50
0401129459E	Wingknob	24	50
0401129438E	Wingknob	28	50
0401129430E	Wingknob	32	50
0401129431E	Wingknob	35	50
0401129434E	Wingknob	38	50



3mm Double Bit



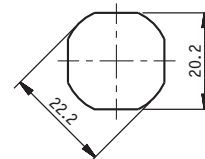
7mm Triangle



Slotted



Wingknob



Fixing Hole

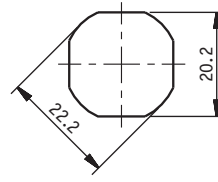
Adjustable Compression Latches

SR 5547

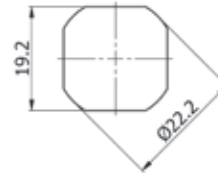
Chrome Plated or Black Powder Coated Die-Cast Zinc



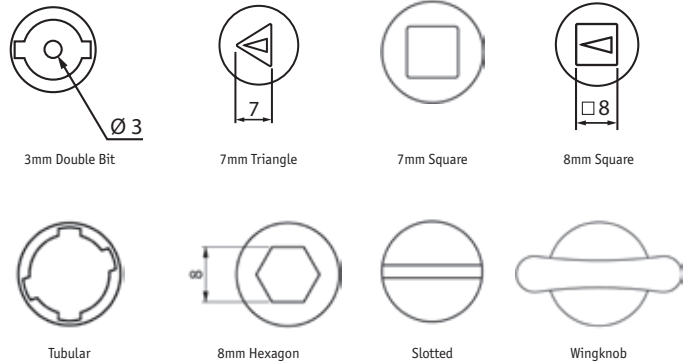
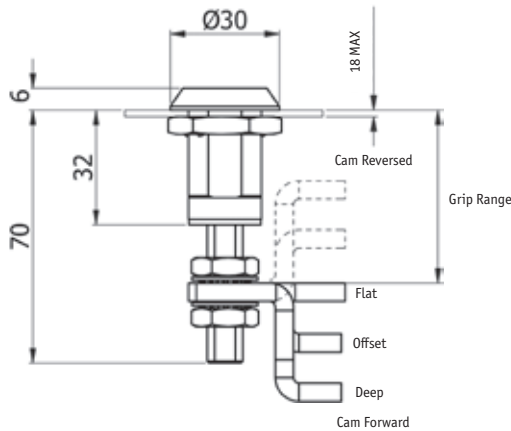
- IP65
- 6mm Compression
- Three Cam styles available
- Cam can be used forward or reversed
- Latch provides good compression and noise isolation
- Two Fixing sizes available 20.2mm x 22.2mm and 19.2mm x 22.2mm
- Left-handed



Fixing Hole 1



Fixing Hole 2



Part Number				Head Style	Cam Style	Grip Range (mm)		Standard Pack Quantity
Chrome Plated		Black Powder Coated				Cam Reversed	Cam Forward	
Fixing Hole 1	Fixing Hole 2	Fixing Hole 1	Fixing Hole 2					
0402111301E	-	0402121301E	0404121301E	3mm Double Bit	Flat	40 - 57	40 - 57	50
0402111302E	-	0402121302E	0404121302E	3mm Double Bit	Offset	28 - 44	53.5 - 71	50
0402111303E	-	0402121303E	0404121303E	3mm Double Bit	Deep	11 - 29	67.5 - 85	50
0402113701E	-	0402123701E	0404123701E	7mm Triangle	Flat	40 - 57	40 - 57	50
0402113702E	-	0402123702E	0404123702E	7mm Triangle	Offset	28 - 44	53.5 - 71	50
0402113703E	-	0402123703E	0404123703E	7mm Triangle	Deep	11 - 29	67.5 - 85	50
-	-	-	0404122701E	7mm Square	Flat	40 - 57	40 - 57	50
-	-	-	0404122702E	7mm Square	Offset	28 - 44	53.5 - 71	50
-	-	-	0404122703E	7mm Square	Deep	11 - 29	67.5 - 85	50
0402112801E	-	0402122801E	-	8mm Square	Flat	40 - 57	40 - 57	50
0402112802E	-	0402122802E	-	8mm Square	Offset	28 - 44	53.5 - 71	50
0402112803E	-	0402122803E	-	8mm Square	Deep	11 - 29	67.5 - 85	50
0402119301E	0404119301E	0402129301E	0404129301E	Tubular Key	Flat	40 - 57	40 - 57	50
0402119302E	0404119302E	0402129302E	0404129302E	Tubular Key	Offset	28 - 44	53.5 - 71	50
0402119303E	0404119303E	0402129303E	0404129303E	Tubular Key	Deep	11 - 29	67.5 - 85	50
0402116801E	0404116801E	0402126801E	0404126801E	8mm Hexagon High Security	Flat	40 - 57	40 - 57	50
0402116802E	0404116802E	0402126802E	0404126802E	8mm Hexagon High Security	Offset	28 - 44	53.5 - 71	50
0402116803E	0404116803E	0402126803E	0404126803E	8mm Hexagon High Security	Deep	11 - 29	67.5 - 85	50
0402114201E	-	0402124201E	0404124201E	Slotted	Flat	40 - 57	40 - 57	50
0402114202E	-	0402124202E	0404124202E	Slotted	Offset	28 - 44	53.5 - 71	50
0402114203E	-	0402124203E	0404124203E	Slotted	Deep	11 - 29	67.5 - 85	50
-	-	0402129401E	0404129401E	Wingknob	Flat	40 - 57	40 - 57	50
-	-	0402129402E	0404129402E	Wingknob	Offset	28 - 44	53.5 - 71	50
-	-	0402129403E	0404129403E	Wingknob	Deep	11 - 29	67.5 - 85	50

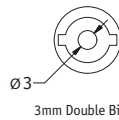
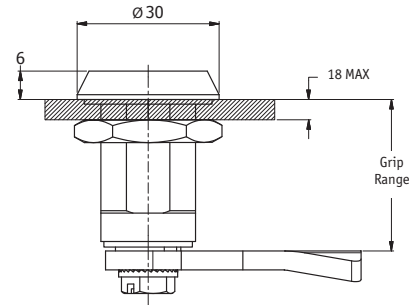
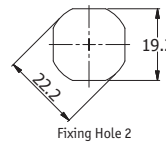
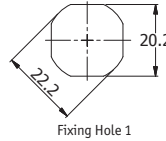
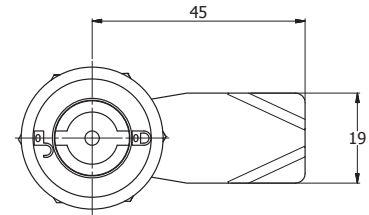
COMPRESSION LOCKS

Fixed Compression Lock

SR 6412

Stainless Steel AISI 316

- IP65
- Lock has 6mm compression ratio
- Lock provide good compression and noise isolation
- Two fixing sizes available 20.2mm x 22.2mm and 19.2mm x 22.2mm
- Left handed



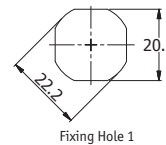
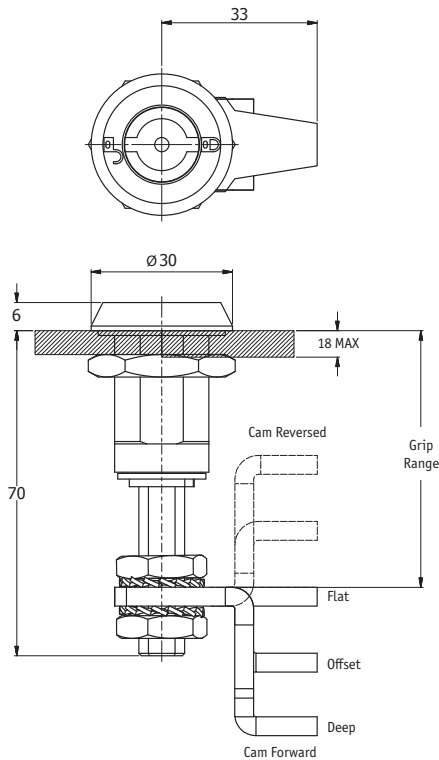
Part Number		Head Style	Grip Range (mm)	Standard Pack Quantity
Fixing Hole 1	Fixing Hole 2			
0401401361E	0403401361E	3mm double bit	20	10
0401401360E	0403401360E	3mm double bit	22	10
0401401359E	0403401359E	3mm double bit	24	10
0401401338E	0403401338E	3mm double bit	28	10
0401401330E	0403401330E	3mm double bit	32	10
0401401331E	0403401331E	3mm double bit	35	10
0401401334E	0403401334E	3mm double bit	38	10
0401403761E	0403403761E	7mm triangle	20	10
0401403760E	0403403760E	7mm triangle	22	10
0401403759E	0403403759E	7mm triangle	24	10
0401403738E	0403403738E	7mm triangle	28	10
0401403730E	0403403730E	7mm triangle	32	10
0401403731E	0403403731E	7mm triangle	35	10
0401403734E	0403403734E	7mm triangle	38	10
0401404261E	0403404261E	Slotted	20	10
0401404260E	0403404260E	Slotted	22	10
0401404259E	0403404259E	Slotted	24	10
0401404238E	0403404238E	Slotted	28	10
0401404230E	0403404230E	Slotted	32	10
0401404231E	0403404231E	Slotted	35	10
0401404234E	0403404234E	Slotted	38	10
0401402861E	0403402861E	8mm square	20	10
0401402860E	0403402860E	8mm square	22	10
0401402859E	0403402859E	8mm square	24	10
0401402838E	0403402838E	8mm square	28	10
0401402830E	0403402830E	8mm square	32	10
0401402831E	0403402831E	8mm square	35	10
0401402834E	0403402834E	8mm square	38	10
0401408860E	0403408860E	Railway	22	10
0401408859E	0403408859E	Railway	24	10
0401408838E	0403408838E	Railway	28	10
0401408830E	0403408830E	Railway	32	10
0401408831E	0403408831E	Railway	35	10
0401408834E	0403408834E	Railway	38	10

Adjustable Compression Lock

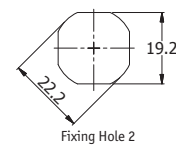
SR 6413

Stainless Steel AISI 316

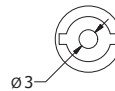
- IP65
- Lock has 6mm compression ratio
- Lock provide wide grip range with adjustable screw
- Two fixing sizes available 20.2mm x 22.2mm and 19.2mm x 22.2mm
- Left handed



Fixing Hole 1



Fixing Hole 2



3mm Double Bit



7mm Triangle



Slotted



8mm Square



Railway

Part Number		Head Style	Cam Style	Grip Range (mm)		Std Pack Qty
Fixing Hole 1	Fixing Hole 2			Cam Reversed	Cam Forward	
0402401301E	0404401301E	3mm double bit	Flat	41-58	41-58	10
0402401302E	0404401302E	3mm double bit	Offset	27-44	55-72	10
0402401303E	0404401303E	3mm double bit	Deep	13.5-30.5	68.5-85.5	10
0402403701E	0404403701E	7mm triangle	Flat	41-58	41-58	10
0402403702E	0404403702E	7mm triangle	Offset	27-44	55-72	10
0402403703E	0404403703E	7mm triangle	Deep	13.5-30.5	68.5-85.5	10
0402404201E	0404404201E	Slotted	Flat	41-58	41-58	10
0402404202E	0404404202E	Slotted	Offset	27-44	55-72	10
0402404203E	0404404203E	Slotted	Deep	13.5-30.5	68.5-85.5	10
0402402801E	0404402801E	8mm square	Flat	41-58	41-58	10
0402402802E	0404402802E	8mm square	Offset	27-44	55-72	10
0402402803E	0404402803E	8mm square	Deep	13.5-30.5	68.5-85.5	10
0402408801E	0404408801E	Railway	Flat	41-58	41-58	10
0402408802E	0404408802E	Railway	Offset	27-44	55-72	10
0402408803E	0404408803E	Railway	Deep	13.5-30.5	68.5-85.5	10

COMPRESSION LOCKS

Stainless Steel Compression Lock

SR 5027

Housing: Stainless Steel (AISI 316)

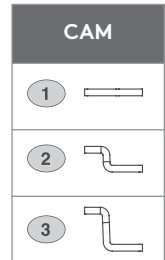
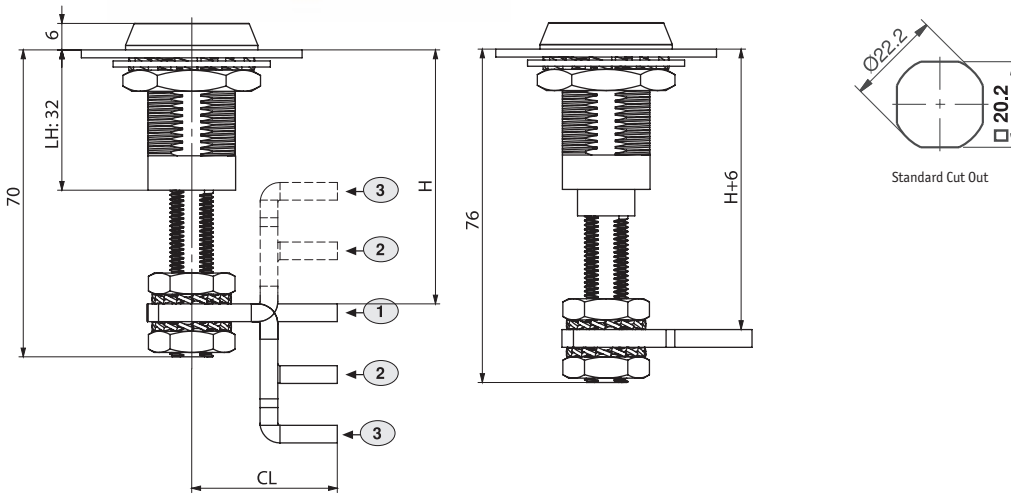
Driver: Stainless Steel (AISI 316)

Cam: Stainless Steel (AISI 304)

Nut: Stainless Steel (AISI 304)



- Used for cabinets that require better sealing under vibrating conditions
- 6mm of compression
- Wide grip range with adjustable screw
- Noise isolation
- Different drivers/cams available
- The lock has been tested according to the DIN EN 61373 Category 1-B for vibration and shock
- Working Temperature Range: -50/+80°C
- Max load capacity: 562 N



Part Number	Door Locking Direction	Driver	Cam version	Grip Range (mm)	Standard Pack Quantity
0405403701001E	Right Hand	7mm Triangle	1	38 - 48	100
0405403702001E			2	24 - 62	100
0405403703001E			3	11 - 75	100
0405408801001E		Railway	1	38 - 48	100
0405408802001E			2	24 - 62	100
0405408803001E			3	11 - 75	100
0405403701002E	Left Hand	7mm Triangle	1	38 - 48	100
0405403702002E			2	24 - 62	100
0405403703002E			3	11 - 75	100
0405408801002E		Railway	1	38 - 48	100
0405408802002E			2	24 - 62	100
0405408803002E			3	11 - 75	100

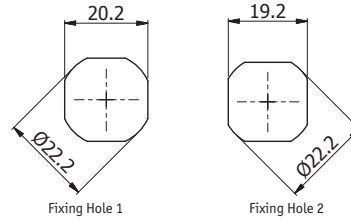
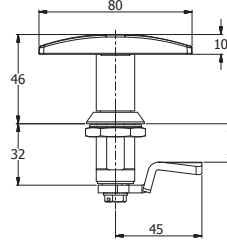
T Handle Compression Latch

SR 5479

Die-Cast Zinc Alloy

Part Number		Type	Fixing Hole	Grip Range (mm)	Standard Pack Quantity
Chrome	Black				
2401110761E	2401120761E	1	1	20	25
2401110760E	2401120760E	1	1	22	25
2401110759E	2401120759E	1	1	24	25
2401110738E	2401120738E	1	1	28	25
2401110730E	2401120730E	1	1	32	25
2401110731E	2401120731E	1	1	35	25
2401110734E	2401120734E	1	1	38	25
2403110761E	2403120761E	1	2	20	25
2403110760E	2403120760E	1	2	22	25
2403110759E	2403120759E	1	2	24	25
2403110738E	2403120738E	1	2	28	25
2403110730E	2403120730E	1	2	32	25
2403110731E	2403120731E	1	2	35	25
2403110734E	2403120734E	1	2	38	25
2401110061E	2401120061E	2	1	20	25
2401110060E	2401120060E	2	1	22	25
2401110059E	2401120059E	2	1	24	25
2401110038E	2401120038E	2	1	28	25
2401110030E	2401120030E	2	1	32	25
2401110031E	2401120031E	2	1	35	25
2401110034E	2401120034E	2	1	38	25
2403110061E	2403120061E	2	2	20	25
2403110060E	2403120060E	2	2	22	25
2403110059E	2403120059E	2	2	24	25
2403110038E	2403120038E	2	2	28	25
2403110030E	2403120030E	2	2	32	25
2403110031E	2403120031E	2	2	35	25
2403110034E	2403120034E	2	2	38	25

- Chrome or black powder finish
- Hand operated
- Available in locking and non-locking versions
- 6mm Compression
- Supplied with sealing gasket
- Type 1 - Locking
- Type 2 - Non-Locking



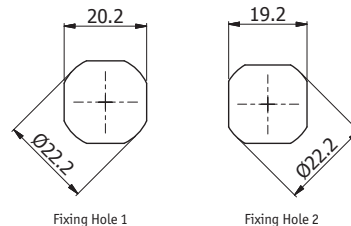
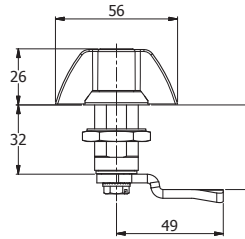
Wing Knob Compression Latches

SR 5475

Die-Cast Zinc Alloy

Part Number		Type	Fixing Hole	Grip Range (mm)	Standard Pack Quantity
Chrome	Black				
3401110761E	3401120761E	1	1	20	50
3401110760E	3401120760E	1	1	22	50
3401110759E	3401120759E	1	1	24	50
3401110738E	3401120738E	1	1	28	50
3401110730E	3401120730E	1	1	32	50
3401110731E	3401120731E	1	1	35	50
3401110734E	3401120734E	1	1	38	50
3403110761E	3403120761E	1	2	20	50
3403110760E	3403120760E	1	2	22	50
3403110759E	3403120759E	1	2	24	50
3403110738E	3403120738E	1	2	28	50
3403110730E	3403120730E	1	2	32	50
3403110731E	3403120731E	1	2	35	50
3403110734E	3403120734E	1	2	38	50
3401110061E	3401120061E	2	1	20	50
3401110060E	3401120060E	2	1	22	50
3401110059E	3401120059E	2	1	24	50
3401110038E	3401120038E	2	1	28	50
3401110030E	3401120030E	2	1	32	50
3401110031E	3401120031E	2	1	35	50
3401110034E	3401120034E	2	1	38	50
3403110061E	3403120061E	2	2	20	50
3403110060E	3403120060E	2	2	22	50
3403110059E	3403120059E	2	2	24	50
3403110038E	3403120038E	2	2	28	50
3403110030E	3403120030E	2	2	32	50
3403110031E	3403120031E	2	2	35	50
3403110034E	3403120034E	2	2	38	50

- Chrome or black powder finish
- 6mm compression
- Available in locking and non-locking versions
- Type 1 - Locking
- Type 2 - Non-locking



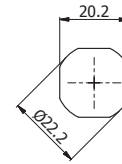
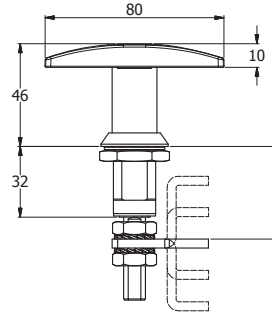
COMPRESSION LOCKS

Adjustable T Handle Compression Latch

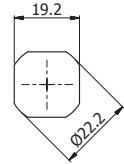
SR 5790

Die-Cast Zinc Alloy

- Chrome or black powder finish
- Hand operated and adjustable
- Available in locking and non-locking versions
- 6mm Compression
- Supplied with sealing gasket
- Type 1 – Locking
- Type 2 – Non-locking



Fixing Hole 1



Fixing Hole 2



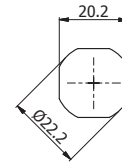
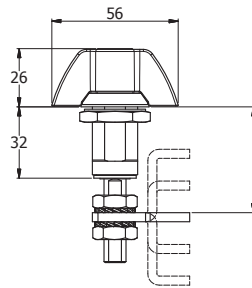
Part Number		Type	Fixing Hole	Grip Range (mm)	Standard Pack Quantity
Chrome	Black				
2402110701E	2402120701E	1	1	41-58	25
2402110702E	2402120702E	1	1	27-72	25
2402110703E	2402120703E	1	1	13.5-85	25
2404110701E	2404120701E	1	2	41-58	25
2404110702E	2404120702E	1	2	27-72	25
2404110703E	2404120703E	1	2	13.5-85	25
2402110001E	2402120001E	2	1	41-58	25
2402110002E	2402120002E	2	1	27-72	25
2402110003E	2402120003E	2	1	13.5-85	25
2404110001E	2404120001E	2	2	41-58	25
2404110002E	2404120002E	2	2	27-72	25
2404110003E	2404120003E	2	2	13.5-85	25

Adjustable Wing Knob Compression Latches

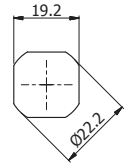
SR 5791

Die-Cast Zinc Alloy

- Chrome or black powder finish
- Adjustable
- 6mm compression
- Available in locking and non-locking versions
- Type 1 – Locking
- Type 2 – Non-locking



Fixing Hole 1



Fixing Hole 2



Part Number		Type	Fixing Hole	Grip Range (mm)	Standard Pack Quantity
Chrome	Black				
3402110701E	3402120701E	1	1	41-58	25
3402110702E	3402120702E	1	1	27-72	25
3402110703E	3402120703E	1	1	13.5-85	25
3404110701E	3404120701E	1	2	41-58	25
3404110702E	3404120702E	1	2	27-72	25
3404110703E	3404120703E	1	2	13.5-85	25
3402110001E	3402120001E	2	1	41-58	25
3402110002E	3402120002E	2	1	27-72	25
3402110003E	3402120003E	2	1	13.5-85	25
3404110001E	3404120001E	2	2	41-58	25
3404110002E	3404120002E	2	2	27-72	25
3404110003E	3404120003E	2	2	13.5-85	25

Small Compression Latches

SR5459

Black Die-Cast Zinc Alloy

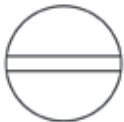
- 4mm compression
- Supplied with sealing gasket
- Allows simple adjustment of grip range
- Ideal for applications with limited space
- For use with the keys on this page



Wingknob



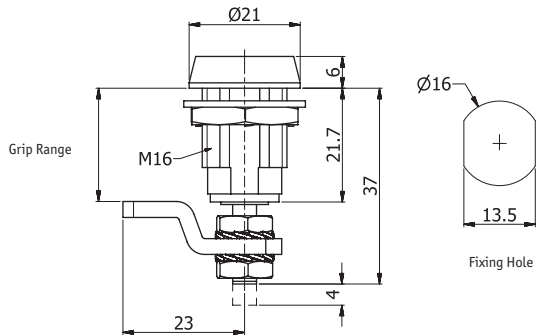
Tubular



Slotted



4mm Hexagon



Part Number				Dimensions (mm)		Standard Pack Quantity
Wingknob	Slotted	4mm Hex	Tubular	Min. Grip Range	Max. Grip Range	
140129407E	140124507E	140126407E	140129307E	9.6	12.8	100
140129406E	140124506E	140126406E	140129306E	12.8	16.0	100
140129405E	140124505E	140126405E	140129305E	16.0	19.2	100
140129404E	140124504E	140126404E	140129304E	19.2	22.4	100
140129403E	140124503E	140126403E	140129303E	22.4	25.6	100
140129402E	140124502E	140126402E	140129302E	25.2	28.4	100

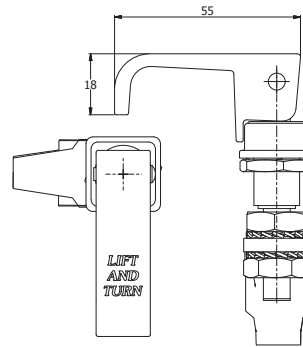
Keys

Part Number	Description	Standard Pack Quantity
16964E	4mm Hex Key	100

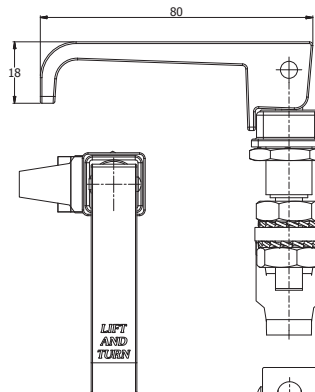
Lift and Turn Compression Latch

SR6483

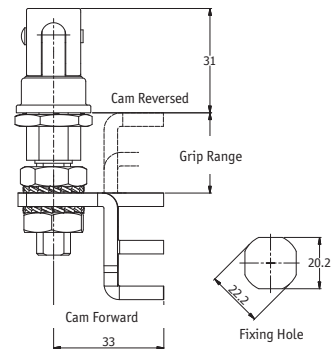
Die-Cast Zinc Alloy



Type 1



Type 2



Part Number	Finish	Type	Grip Range (mm)		Standard Pack Quantity
			Cam Reversed	Cam Forward	
17011101E	Chrome Plated	1	22.5-30	22.5-30	25
17011102E	Chrome Plated	1	8.5-16	36.5-44	25
17011103E	Chrome Plated	1	0-2.5	50-57.5	25
17011201E	Black Coated	1	22.5-30	22.5-30	25
17011202E	Black Coated	1	8.5-16	36.5-44	25
17011203E	Black Coated	1	0-2.5	50-57.5	25
17021101E	Chrome Plated	2	22.5-30	22.5-30	25
17021102E	Chrome Plated	2	8.5-16	36.5-44	25
17021103E	Chrome Plated	2	0-2.5	50-57.5	25
17021201E	Black Coated	2	22.5-30	22.5-30	25
17021202E	Black Coated	2	8.5-16	36.5-44	25
17021203E	Black Coated	2	0-2.5	50-57.5	25

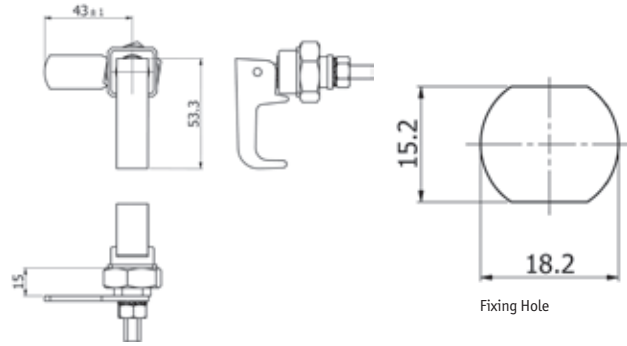
COMPRESSION LOCKS

Lift and Turn Lock

SR5568

Nylon body steel cam

- Simple compression action
- Suitable for enclosures and machinery panels
- Left or right hand operation possible



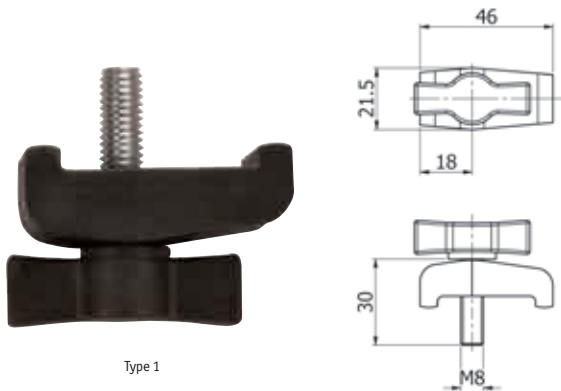
Part Number	Standard Pack Quantity
070E	50

Bridge Clamps

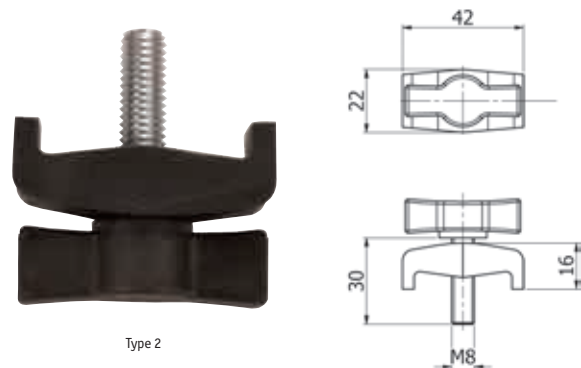
SR5569

Nylon with Steel screw

- Ideal for heating and ventilation panels
- Suitable for right or left hand doors



Type 1



Type 2

Part Number	Type	Standard Pack Quantity
4621E	Type 1	50
4621E	Type 2	50

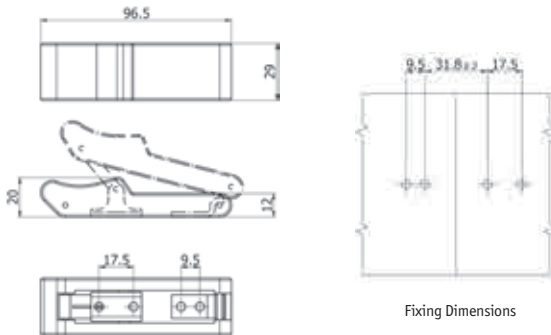
Flexible Over Centre Drawer Latch

SR 5597

Black rubber handle

Stainless steel keeper and bracket

- Low profile design
- Concealed keeper is fixed under the latch
- Non-corrosive
- Fixed using M4 screws (not supplied)



Part Number	Standard Pack Quantity
493577	20

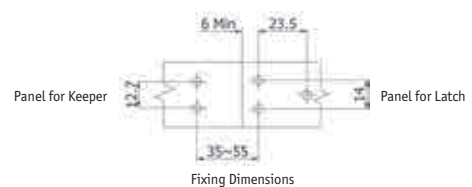
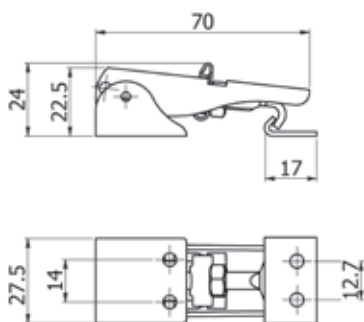
Adjustable Draw Latch

SR 5433

Zinc Plated Steel/304 Stainless Steel



- Adjustable latch
- Secondary lock button to prevent accidental opening
- To suit M4 fixings
- Supplied with keeper



Part Number	Type	Standard Pack Quantity
493596	Stainless Steel	10
493597	Zinc Plated Steel	20

LATCHES AND CATCHES

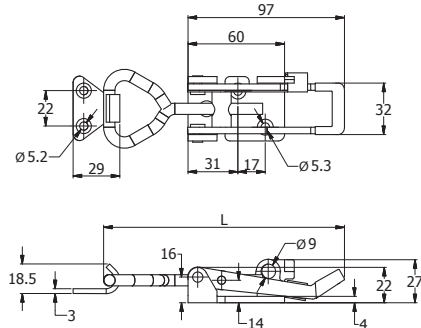
Toggle Latches – Adjustable

SR 5028

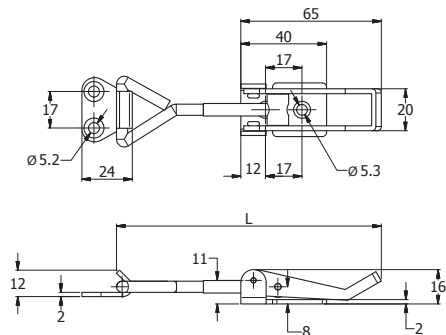
Steel Zinc Plated



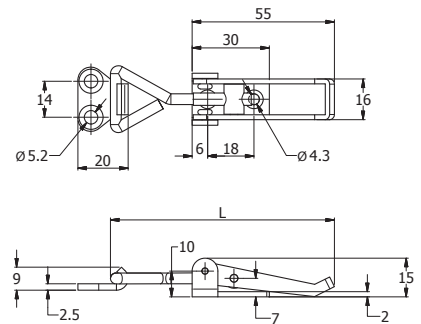
Type 1



Type 2



Type 3

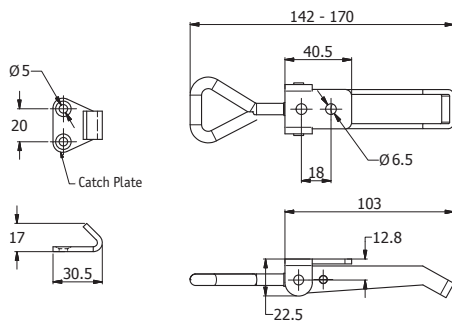


Part Number	Type	Style	L (mm)	Standard Pack Quantity
34000135	1	Padlockable	140 - 160	25
34000133	2	Non Padlockable	94 - 125	50
34000131	3	Non Padlockable	77 - 88	50

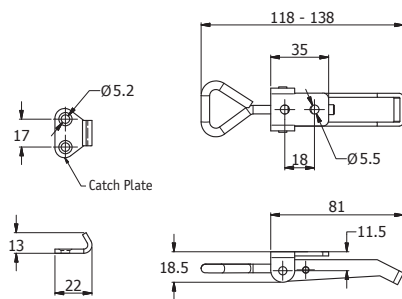
Toggle Latches – Adjustable

SR 5029

Steel Zinc Plated



Type 4



Type 5



Part Number	Type	Style	L (mm)	Standard Pack Quantity
2702	4	Non Padlockable	142 - 170	50
2701	5	Non Padlockable	118 - 138	50

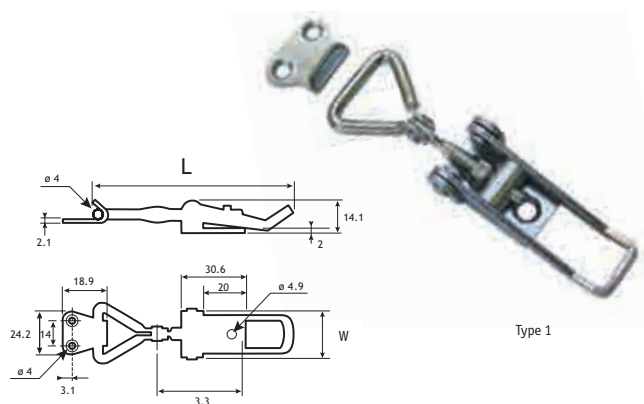
LATCHES AND CATCHES

Adjustable Latches

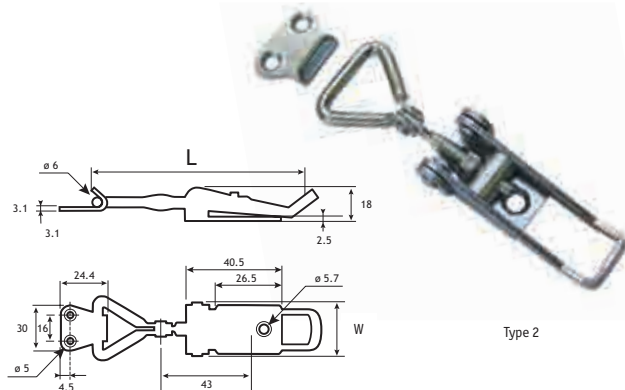
SR 5424

Mild Steel or Stainless Steel 304

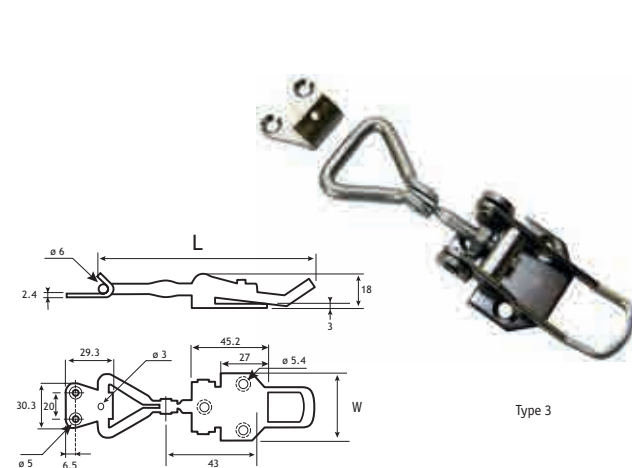
- Securely pull and lock two components together
- Operated by hand and are quick and easy to use
- Suitable for a wide variety of uses including containers, packaging and industrial cleaning machines
- Type 4: For use with padlock



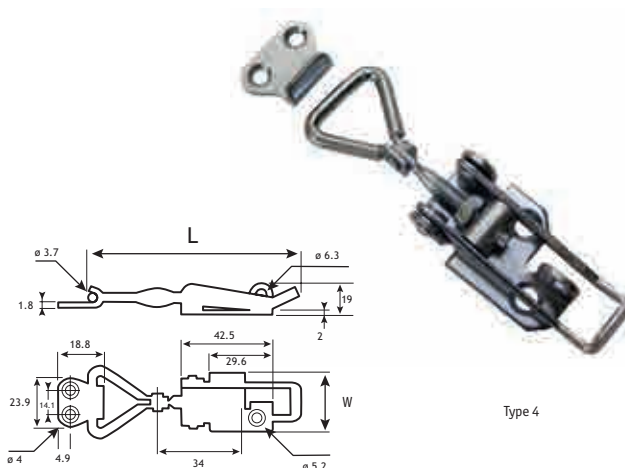
Type 1



Type 2



Type 3



Type 4

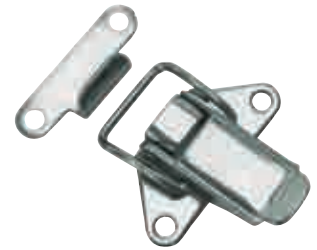
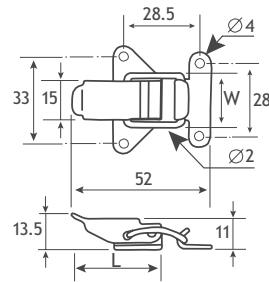
Part Number	Type	Material	Dimensions (mm)		Standard Pack Quantity
			L	W	
491974	1	Zinc Plated Mild Steel	82.0 - 89.0	20.0	20
491975	2	Stainless Steel	96.0 - 121.7	25.0	20
491976	3	Zinc Plated Mild Steel	117.4 - 128.0	40.3	20
491977	3	Stainless Steel	117.4 - 128.0	40.3	20
491978	4	Zinc Plated Mild Steel	82.0 - 92.0	26.3	20
491979	4	Stainless Steel	82.0 - 92.0	26.3	20

Fixed Catch

SR 5431

Type 1: Stainless Steel 304

- Strike comes with catch



Part Number	Style	Dimensions (mm)			Standard Pack Quantity
		L	W		
491971	Light Duty	33.6	23.5		25

Drawer Latches

SR 5423

Mild Steel or Stainless Steel AISI 304



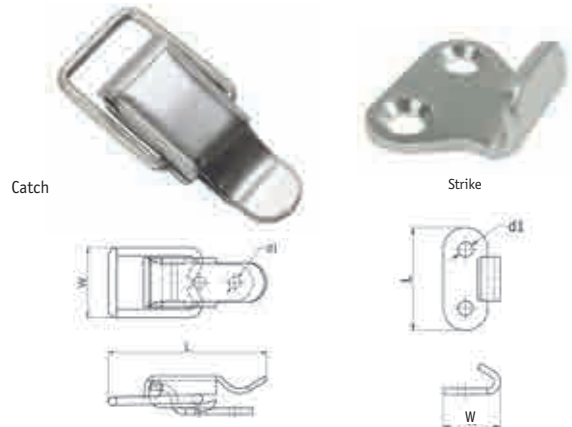
- Suitable for a wide variety of uses including containers, packaging and industrial cleaning machines
- Catch and strike must be ordered separately

Catch

Part Number	Style	Dimensions (mm)			Standard Pack Quantity
		L	W	d1	
491969	Mild Steel	50.0	22.0	3.8	25
491970	Stainless Steel	50.0	22.0	3.8	25
491972	Mild Steel	80.0	32.0	5.2	25
491973	Stainless Steel	80.0	32.0	5.2	25

Strike

Part Number	Style	Dimensions (mm)			Standard Pack Quantity
		L	W	d1	
491989	Mild Steel	24.0	14.0	3.5	25
491990	Stainless Steel	24.0	14.0	3.5	25
491991	Mild Steel	26.0	20.0	5.2	25
491992	Stainless Steel	26.0	20.0	5.2	25



Drawer Latches

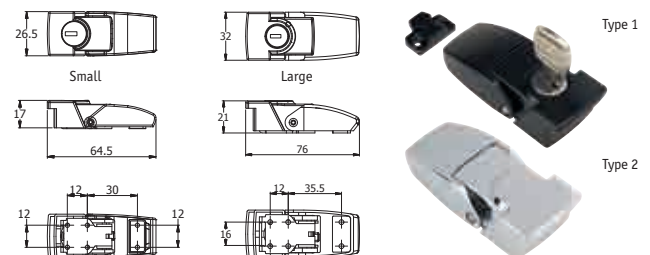
SR 5513

Die-cast Zinc

- Gently curved low-profile surface-mount design resists accidental opening under stress or vibration
- High-strength body encloses all working hardware for improved aesthetics and tamper-resistance
- Simple lever action provides secure latching with quick and easy access

- Riveted construction enhances robust performance and durability
- Suitable for indoor and outdoor applications
- Maximum working load of 1200 N
- Type 1 – Keyed Alike
- Type 2 – Keyless

Part Number		Type	Size	Standard Pack Quantity
Black	Chrome			
497532	497534	1	Large	10
497533	497535	2	Large	10
497536	497538	1	Small	10
497537	497539	2	Small	10



LATCHES AND CATCHES

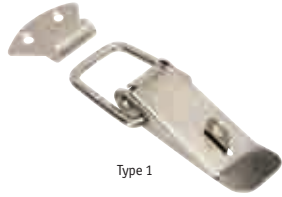
Drawer Latches

SR5496

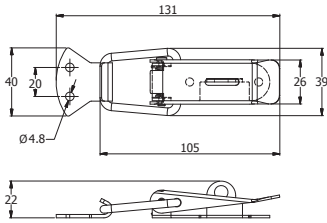
Stainless Steel 304 or Zinc Plated Steel



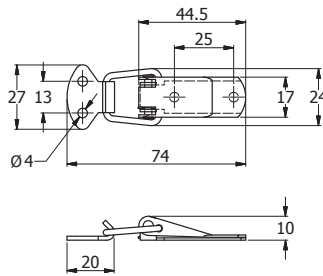
- Securely pull and lock two components together
- Operated by hand and are quick and easy to use
- Suitable for a wide variety of uses including containers, packaging and industrial cleaning machines



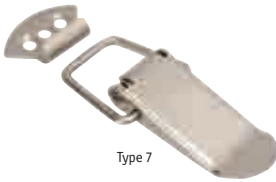
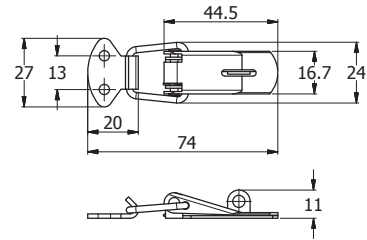
Type 1



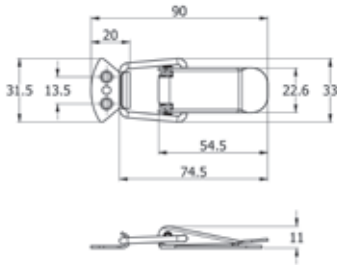
Type 3



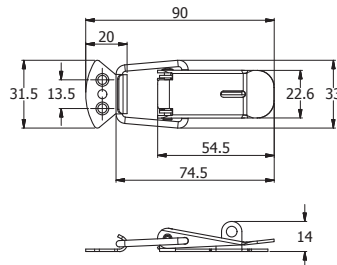
Type 4



Type 7



Type 9



Wire Link Latch

Part Number		Type	Standard Pack Quantity
Stainless Steel 304	Zinc Plated Steel		
497810	497994	1	25
497811	497997	3	25
497812	497998	4	25
497814	498003	7	25
497816	498005	9	25

CONTINUED ON NEXT PAGE

Drawer Latches *CONTINUED*

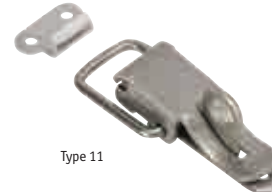
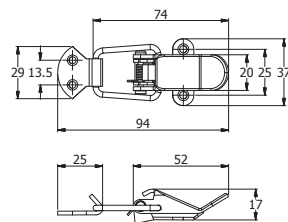
SR5496

Stainless Steel 304 or Zinc Plated Steel

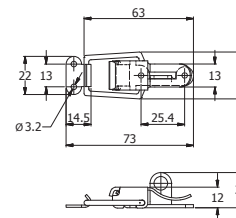
- Securely pull and lock two components together
- Operated by hand and are quick and easy to use
- Suitable for a wide variety of uses including containers, packaging and industrial cleaning machines



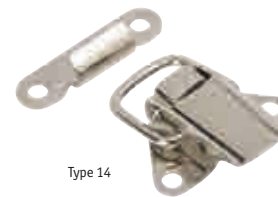
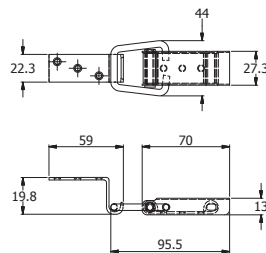
Type 10



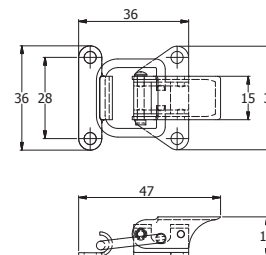
Type 11



Type 12



Type 14



Wire Link Latch

Part Number		Type	Standard Pack Quantity
Stainless Steel 304	Zinc Plated Steel		
-	498006	10	25
497930	498007	11	25
-	498008	12	25
497932	498010	14	25

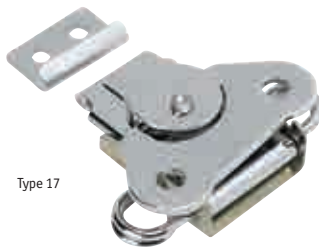
CONTINUED ON NEXT PAGE

Drawer Latches CONTINUED

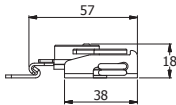
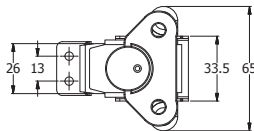
SR5496

Zinc Plated Steel

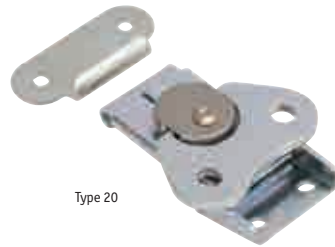
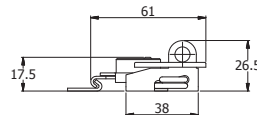
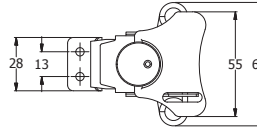
- Securely pull and lock two components together
- Operated by hand and are quick and easy to use
- Suitable for a wide variety of uses including containers, packaging and industrial cleaning machines



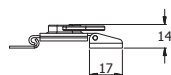
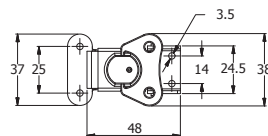
Type 17



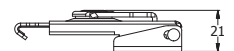
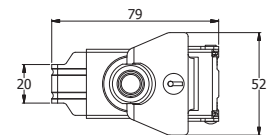
Type 18



Type 20



Type 22



Quarter Turn Latches

Part Number	Type	Standard Pack Quantity
498013	17	25
498014	18	25
498018	20	25
498020	22	25

LATCHES AND CATCHES

Spring Loaded Latch

SR 5030

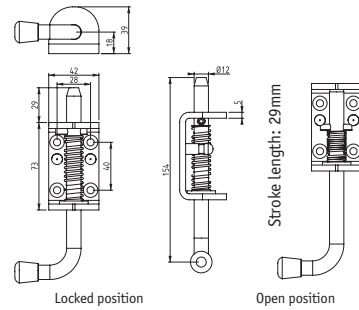
Body : Steel

Pin : Steel

Finish : Zinc Plated



- Versatile galvanised steel latch great for wood or metal application



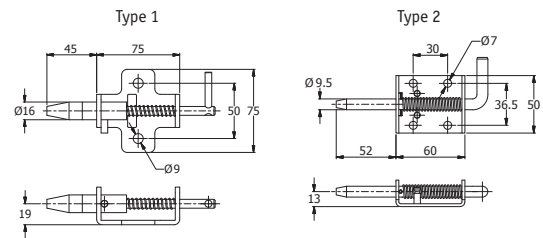
Part Number	Type	Standard Pack Quantity
275063E	1	25
275163E	2	25

Bolt with Locking System

SR 5471

Zinc Plated Steel

- Type 1 – Springloaded
- Type 2 – Stops when open
- Heavy duty range



Part Number	Type	Dimensions (mm)		Standard Pack Quantity
		Length	Height	
497584	1	152	34	25
497585	2	132	17	25

Barrel Bolt

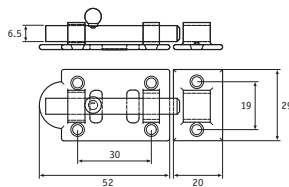
SR 5031

Chrome Plated Brass

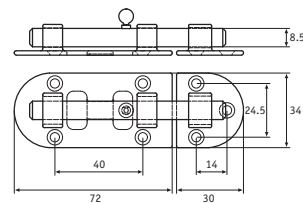
- Two-part locking chrome plated barrel bolt



Type 1



Type 2



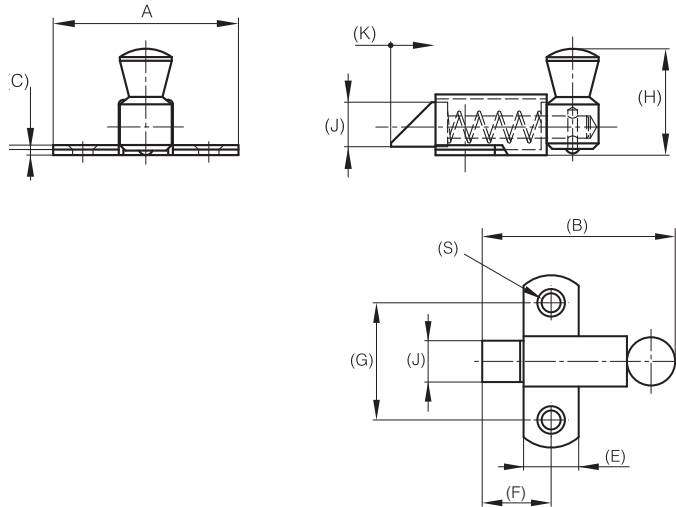
Part Number	Type	Standard Pack Quantity
1330580	1	2
1330579	2	2

Spring Loaded Slam Latch & Strikes

SR 5032

Body: Zinc Plated Steel

Pin: Stainless Steel

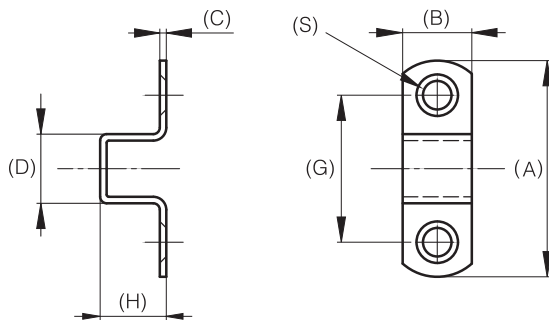


Part Number	Bolt Orientation	Dimensions (mm)										Standard Pack Quantity
		A	B	C	E	F	G	H	J	K	S	
1334625	Nose Up	35	36.5	1.2	11	13.5	23	19	8	8	3.5	50
1334626	Nose Up	50	56	1.5	16	19	34	29.5	12	11	4.8	50
1334627	Nose Up	70	73	2	22	28	45	38	16	16	7	50
1334628	Nose Down	35	36.5	1.2	11	13.5	23	19	8	8	3.5	50
1334629	Nose Down	50	56	1.5	16	19	34	29.5	12	11	4.8	50
1334630	Nose Down	70	73	2	22	28	45	38	16	16	7	50

Strike for Latches

SR 5033

Zinc Plated Steel



Part Number	Dimensions (mm)							Standard Pack Quantity
	A	B	C	D	G	H	S	
1335121	35	11	1.2	11.5	23	11.5	3.5	50
1335122	50	16	1.5	16	34	16	4.8	50
1335123	70	19	2	19	43.5	21	7	50

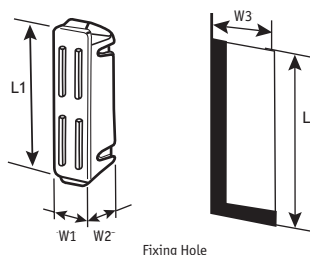
MAGNETIC CATCHES AND COUNTER PLATES

Clip In Magnetic Catch

SR 5427

White or Black Polypropylene

- Quick and easy snap in fastening remains securely in place
- Ideal for metal cabinets



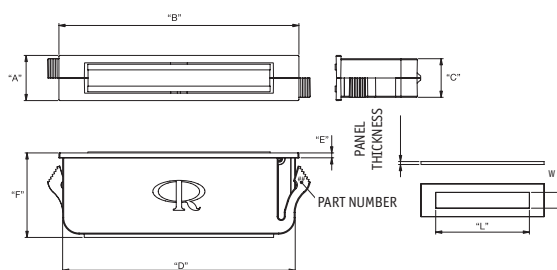
Part Number	Colour	Panel Thickness (mm)	Dimensions (mm)					Standard Pack Quantity
			L1	L2	W1	W2	W3	
491982	White	1.5	25.5	23	12.3	10.4	11	100
491983	White	1.5	39.5	35	10	11	8.2	100
491984	Black	2.0	54.0	51.5	12.5	14.5	10.8	100

Snap Fit Magnetic Catch

SR 5464

Polypropylene

- Quick to install
- Snap-fit directly into fixing hole
- Available in black and white



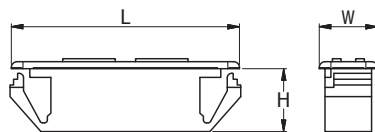
Colour: White	Colour: Black	"A"	"B"	"C"	"D"	"E"	"F"	Panel Thickness	"L"	"W"	Standard Pack Quantity
ML-S-1	ML-S-1BK	7.7	23.6	6.0	21.8	0.8	13.3	0.5 - 2.0	22.2	6.4	10
ML-S-2	ML-S-2BK	7.7	23.6	6.0	21.8	0.8	13.3	2.0 - 3.5	22.2	6.4	10
496256	496257	9.5	39.7	7.7	37.9	0.8	25.4	0.5 - 2.0	38.1	8.1	20
ML-M-2	ML-M-2BK	9.5	39.7	7.7	37.9	0.8	25.4	2.0 - 3.5	38.1	8.1	10
ML-M-3	ML-M-3BK	9.5	39.7	7.7	37.9	0.8	25.4	3.5 - 5.0	38.1	8.1	10
496258	496259	11	58.5	9.2	56.7	1.2	20.6	0.5 - 2.0	57.1	9.6	20
ML-L-2	ML-L-2BK	11	58.5	9.2	56.7	1.2	20.6	2.0 - 3.5	57.1	9.6	10
ML-L-3	ML-L-3BK	11	58.5	9.2	56.7	1.2	20.6	3.5 - 5.0	57.1	9.6	10

Clip In Magnetic Catches

SR 5041



- The Clip-in Magnetic Catches can be used on metal or plastic – they just simply clip in and require no screws at all
- They are supplied with counterplates
- Available in either white or black
- Depending on the version the maximum possible holding force achievable is 2kg to 15kg
- Catch body is made from polystyrene with a ferrite magnet

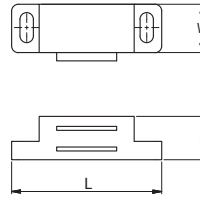


Part Number	L (mm)	W (mm)	H (mm)	Pull Force (kg)	Standard Pack Quantity
1219459	25.5mm	9.6	12	2	50
1219460	39.5mm	10	12	3	20
1219461	54.8mm	12.5	17	15	10

Economy Magnetic Latches

SR 5034

- The catch has mobile pole pieces and oblong slots to allow positional play
- The catch comes with a white counterplate
- Has a maximum holding force of 6kg
- Catch body is made from polystyrene with a ferrite magnet

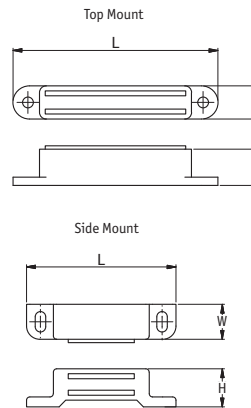


Part Number	L (mm)	W (mm)	H (mm)	Pull Force (kg)	Standard Pack Quantity
1219444	45	14	14	6	50

Surface Mounted Magnetic Catches

SR 5036

- The Surface Mounted Magnetic Catch has a simple yet sturdy construction that allows an effective surface mount contact to be made
- Each catch is supplied with a counterplate
- Depending on the version the maximum possible holding force achievable is 3kg to 10kg
- Catch body is made from polystyrene with a ferrite magnet



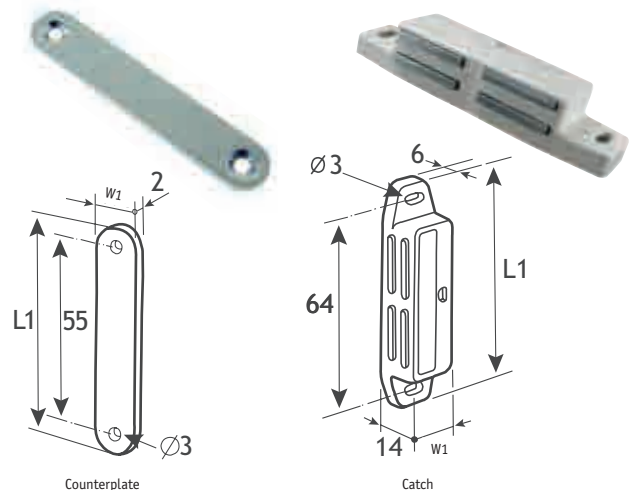
Part Number	Style	L (mm)	W (mm)	H (mm)	Pull Force (kg)	Standard Pack Quantity
1219453	Top Mount	32mm	10.5	11.5	3	20
1219454	Top Mount	45mm	10.5	11.5	6	10
1219455	Top Mount	62mm	10.5	11.5	10	10
1219456	Side Mount	32mm	10.5	11.5	3	20
1219457	Side Mount	45mm	10.5	11.5	6	10
1219458	Side Mount	62mm	10.5	11.5	10	10

Large Surface Mounted Catch

SR 5428

White Polyamide

- Heavy duty magnet
- Can withstand a force of 15kg
- Holes drilled for M3 screws
- Separate catch and counterplate



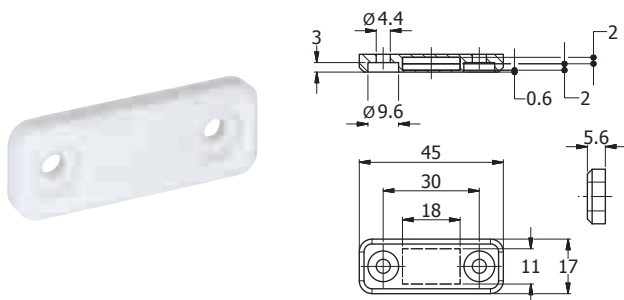
Part Number	Type	Dimensions (mm)		Standard Pack Quantity
		L1	W1	
491986	Catch	74.0	17.5	100
491993	Counterplate	65.0	13.0	100

MAGNETIC CATCHES AND COUNTER PLATES

Sealed Magnetic Catch Slim

SR 5045

- Hermetically sealed, ideal for high corrosion environments
- No metal-to-metal contact, ideal for cleanroom applications
- Strong magnetic force
- If a counterplate is required choose from 1222656, 1222657 or 1222658
- Catch body is made from polypropylene with a neodymium magnet

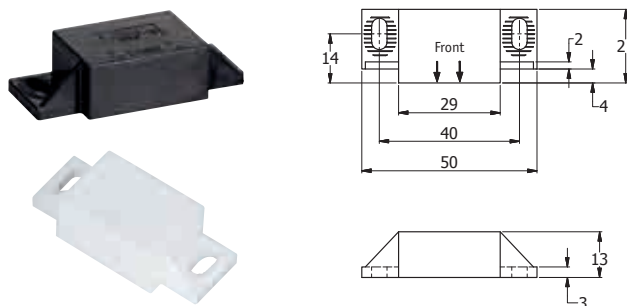


Part Number	Magnetic Force		Weight (gm)	Standard Pack Quantity
	29.4N	3kgf		
1222603	29.4N	3kgf	8.5	100

Sealed Magnetic Catch

SR 5048

- Hermetically sealed, ideal for high corrosion environments
- No metal-to-metal contact, ideal for cleanroom applications
- Strong magnetic force
- If a counterplate is required choose 1222657
- Catch body is made from polyacetal with a neodymium magnet

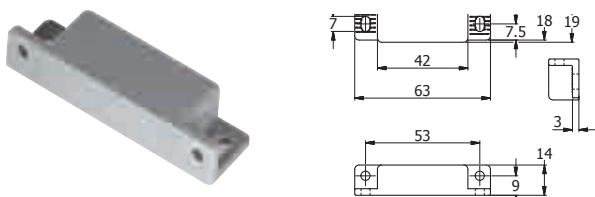


Part Number	Colour	Magnetic Force		Weight (gm)	Standard Pack Quantity
		29.4N	3kgf		
1222604	Black	29.4N	3kgf	21	24
1222605	White	29.4N	3kgf	21	24

Sealed Magnetic Catch

SR 5048

- Hermetically sealed, ideal for high corrosion environments
- No metal-to-metal contact, ideal for cleanroom applications
- Strong magnetic force
- If a counterplate is required choose from 1222656, 1222657 or 1222658
- Catch body is made from polyacetal with a neodymium magnet
- Three different magnetic forces available



Part Number	Colour	Magnetic Force		Weight (gm)	Standard Part Quantity
		14.7N	1.5kgf		
1222606	Grey	14.7N	1.5kgf	24	50
1222607	Grey	29.4N	3kgf	28	50
1222608	Grey	49N	5kgf	40	50

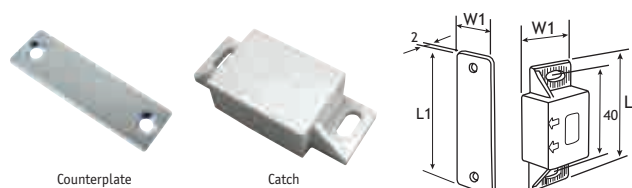
Sealed Magnetic Catch

SR 5429

Catch: White Nylon

Counterplate: Stainless Steel

- Sealed Magnet does not rust
- Separate magnetic catch and counterplate
- Can withstand a force of up to 3kg
- Suitable for catering industry and food and drink machinery

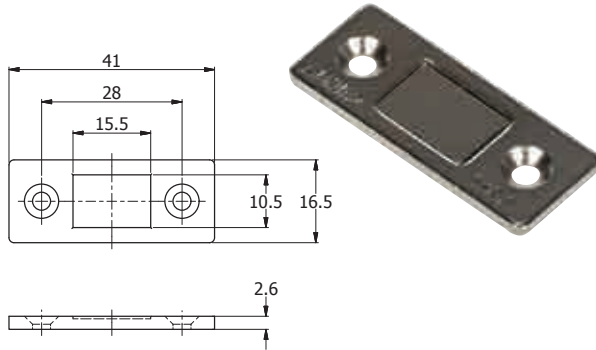


Part Number	Type	Dimensions (mm)		Standard Pack Quantity
		L ₁	W ₁	
491987	Catch	50	21	100
491988	Counterplate	49	15	100

Ultra Thin and Strong Magnetic Catch

SR 5044

- Unique ultra thin magnetic catch design with extra strong magnetic force
- Maximum temperature: 80°C
- Screw heads should not protrude above the base plate
- Catch body is made from steel with a neodymium magnet



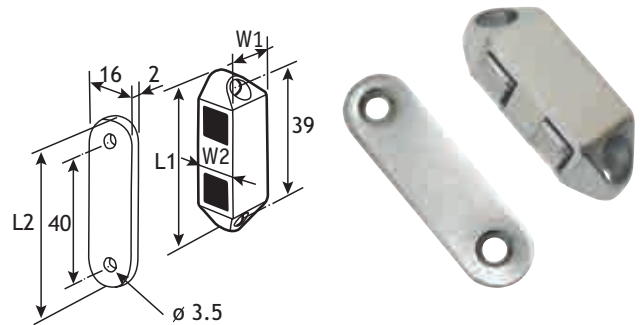
Part Number	Magnetic Force		Weight (gm)	Standard Pack Quantity
	39N	4kgf		
1222619			12	200

Metal Magnetic Catch

SR 5426

Nickel Plated Die-Cast Zinc Alloy

- Magnetic catch comes with counterplate
- Can withstand a force of 4kg
- Temperature resistance of 80°C
- Vibration Resistant

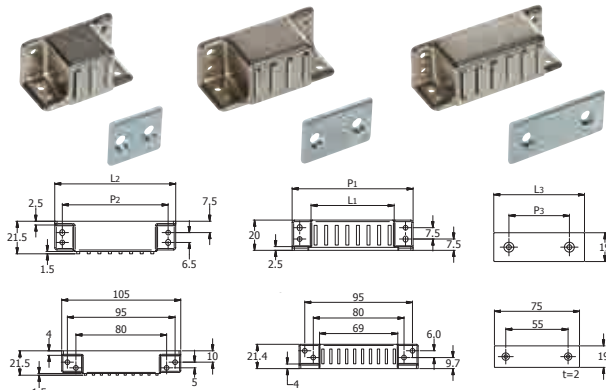


Part Number	Dimensions (mm)				Standard Pack Quantity
	L1	W1	L2	W2	
1222629	49	16	56	16	100

Heavy Duty Magnetic Catch

SR 5054

- Special design provides screw mounting options in two different positions
- Strong and heavy duty magnetic catch
- Catch body is made from zinc alloy with a ferrite magnet

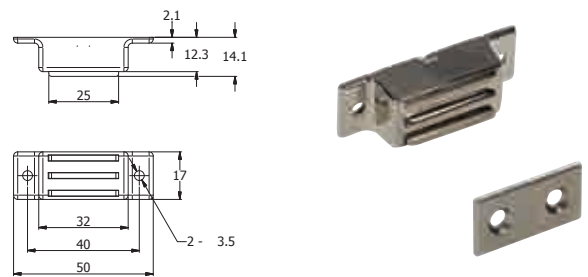


Part Number	L1 (mm)	L2 (mm)	L3 (mm)	P1 (mm)	P2 (mm)	P3 (mm)	Magnetic Force		Weight (gm)	Standard Pack Quantity
1222631	20	40	22	30	30	12	29N	3kgf	56	60
1222632	27	50	29	40	40	18	68N	7kgf	74	50
1222633	41	61	43	50	50	27	107N	11kgf	110	40
1222634	55	80	60	70	70	40	137N	14kgf	140	30
1222635	69	105	75	95	95	55	147N	15kgf	206	24

High Temperature Magnetic Catch

SR 5053

- Suitable for high temperature environments up to 250°C
- Strong magnetic force
- Optional counter plates: 1222658
- Catch body is made from stainless steel with a samarium cobalt magnet



Part Number	Magnetic Force		Weight (gm)	Standard Pack Quantity
	70N	7.1kgf		
1222639			40	40
1222638	140N	14.3kgf	40	40

MAGNETIC CATCHES AND COUNTER PLATES

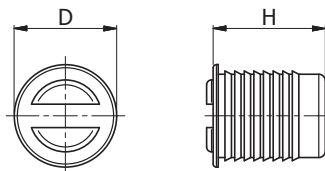
Knock In Recessed Magnetic Catches

SR 5058

- The Knock-in Magnetic Catches fit within wooden furniture drilled out holes - simply tap in gently with a mallet until it is securely held within the wood



- Only the ground front surface of the catch can be seen once fitted
- Supplied with counterplates
- Available in white or black
- Depending on the version the maximum possible holding force achievable is 1kg to 6kg
- Catch body is made from polystyrene with a ferrite magnet

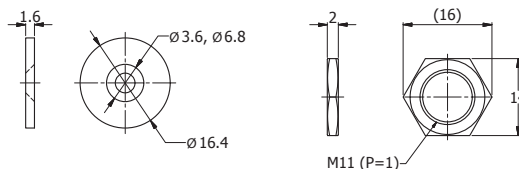
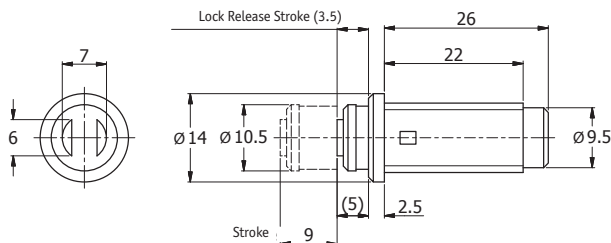


Part Number	Colour	Diameter (mm)	Height (mm)	Pull Force (kg)	Standard Pack Quantity
1219462	Black	9.5	10.5	1	20
1219463	Black	9.5	15	2	20
1219464	Black	14	15.3	4	20
1219465	Black	16	18.3	6	20
1219466	White	14	15.3	4	20
1219467	White	16	18.3	6	20

Recessed Magnetic Catch

SR 5064

- Push to open/close mechanism
- For overlay doors allow a 3.5mm gap between door and cabinet frame for push motion
- Catch body is made from ABS with a ferrite magnet

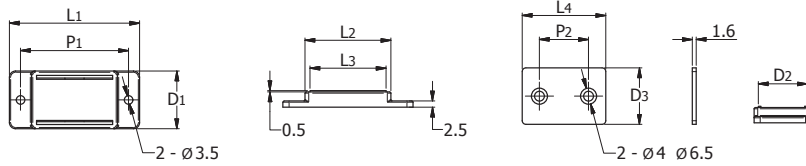


Part Number	Magnetic Force (kg)	Weight (gm)	Standard Pack Quantity
1222645	1.3	9	350

Thin Magnetic Catch

SR 5043

- Low profile design is ideal for tight spaces
- Catch body is made from ABS with a ferrite magnet
- Available in two colours and three different magnetic forces

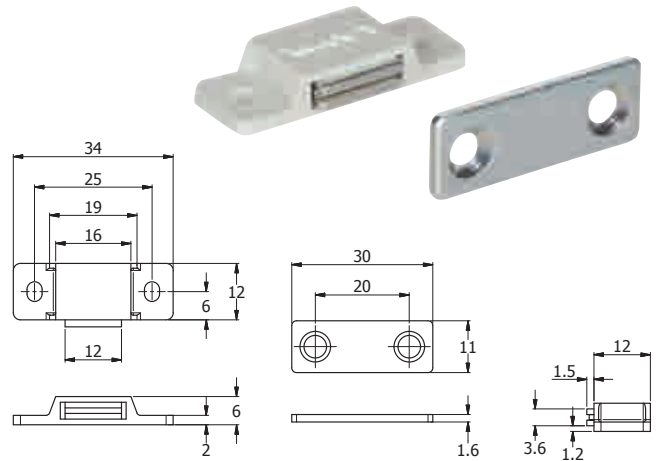


Part Number	Colour	Magnetic Force		L1 (mm)	L2 (mm)	L3 (mm)	L4 (mm)	D1 (mm)	D2 (mm)	D3 (mm)	P1 (mm)	P2 (mm)	H (mm)	Weight (gm)	Standard Pack Quantity
		N	kgf												
1222609	Black	49N	5kgf	64	46	42	45	24.5	21	24	55	30	7	48	50
1222611	Black	29.4N	3kgf	53	35	31	34	23.5	20	23	44	20	6.2	32	50
1222614	Black	9.8N	1kgf	43	25	20	24	17	13.5	17	34	13	6	14	100
1222610	Ivory	49N	5kgf	64	46	42	45	24.5	21	24	55	30	7	48	50
1222612	Ivory	29.4N	3kgf	53	35	31	34	23.5	20	23	44	20	6.2	32	50
1222613	Ivory	9.8N	1kgf	43	25	20	24	17	13.5	17	34	13	6	14	100

Mini Magnetic Catch

SR 5043

- Mini magnetic catch is ideal for tight spaces
- Available in two different magnetic forces
- Versions supplied with or with out strike and screw
- Catch body is made from PBT. 1.2kgf magnet is Ferrite and 3kgf magnet is Neodymium



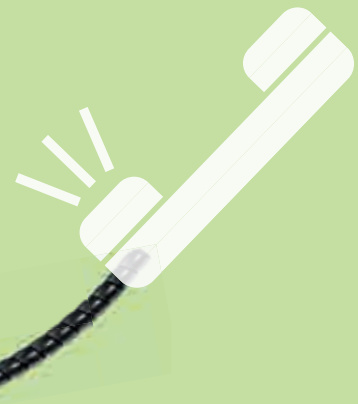
Part Number	Supplied with:	Magnetic Force		Weight (gm)	Standard Pack Quantity
		N	kgf		
1222615	Magnet only	29.4N	3kgf	6	50
1222616	Magnet, strike and screw	29.4N	3kgf	12	50
1222617	Magnet only	12N	1.2kgf	5	50
1222618	Magnet, strike and screw	12N	1.2kgf	14	50

QUESTIONS?
WE ARE HERE
TO HELP...

Visit us online for more information. Our Customer Service advisors can also help you find the right product for your application.

www.essentracomponents.co.uk

CALL
0845 758
5070

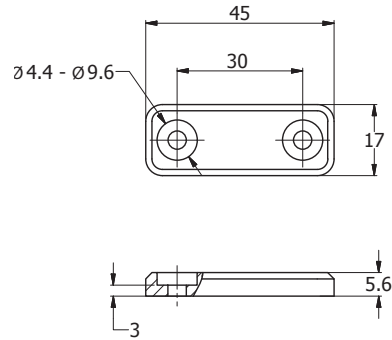


MAGNETIC CATCHES AND COUNTER PLATES

Sealed Counter Plate

SR 5071

- Sealed strike for magnetic catches
- Eliminates metal particles when used with 1222603 sealed magnet

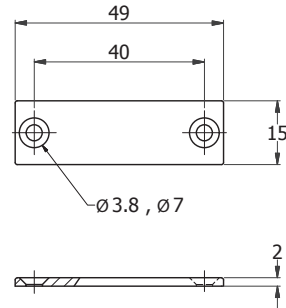


Part Number	Weight (gm)	Standard Pack Quantity
1222656	8.5	100

Stainless Steel Counter Plate

SR 5072

- High corrosion resistance, equivalent to 316 stainless steel, ideal for application where rust is an issue

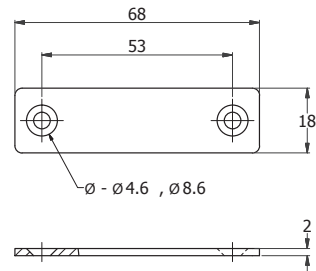


Part Number	Weight (gm)	Standard Pack Quantity
1222657	10	100

Stainless Steel Counter Plate

SR 5073

- 430 Stainless Steel provides good corrosion resistance



Part Number	Weight (gm)	Standard Pack Quantity
1222658	17	100

Door Latch and Strikers

SR 5074

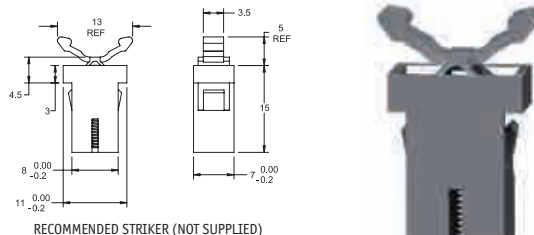
DL/DLS

Type 1 – Latch

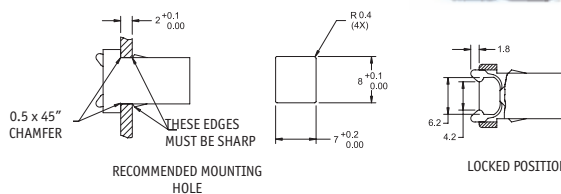
- Latch – UL94 HB Acetal/-50°C to 95°C
- Spring – Stainless Steel
- Locking Stroke: 5.4, Release Stroke: 1.3
- Locking Stroke Force: 500 gr. ± 200 gr.
- Retention Force (Locked) = 1 kg. Min.
- Storage Temperature = -40°C to 80°C
- Continuous Working Temperature = -10°C to 60°C
- Life Cycle = 50,000 operations

Type 2 & 3 – Strickers

- Black UL94 HB Acetal



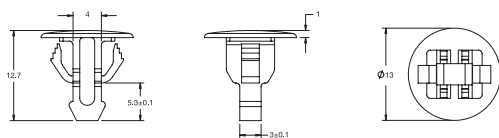
RECOMMENDED STRIKER (NOT SUPPLIED)



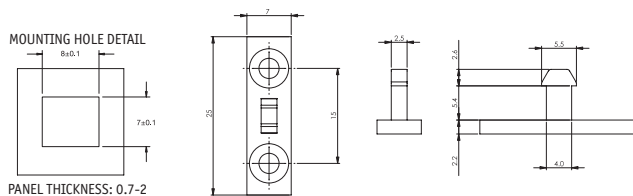
RECOMMENDED MOUNTING HOLE

LOCKED POSITION

Type 2 Striker



Type 3 Striker



Part Number	Type	Mounting Method	Standard Pack Quantity
DL-1X	1	-	500
DL-1WH	1	-	500
DLS-1	2	Reverse Mount	1000
DLS-2	3	#3 or M3 Countersunk Screws	1000

Metal and Plastic Catch & Striker

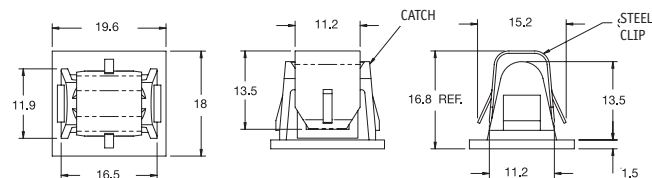
SR 5075

DCS

- Type 1 – Striker – Natural POM/-50°C to 100°C
- Type 2 – Striker – Carbon steel
- Chrome plated finish
- Type 3 – Catch Assembly – Catch: Natural PA 6/6 V-2/-40°C to 85°C
- Metal Clip, Plated Steel, Black Oxide Finish

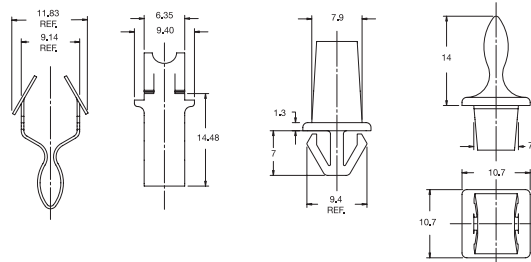


Type 3



Type 2

Type 1



Part Number	Type	Dimensions (mm)		Standard Pack Quantity
		Mounting Hole	Panel Thickness	
DCS-1	1	7.29 x 7.29	0.81-1.32	500
DCS-4	2	7.29 x 7.29	0.81-1.32	500
DCS-7	3	13.08 x 16.64	0.89-1.57	500

Catch and Striker

SR 5076

CS

PA 6/6, V-2/-40°C to 85°C

Acetal/HB/-40°C to 95°C

PA 6/6, HB/-40°C to 85°C

PA 6/6, HB/-40°C to 65°C

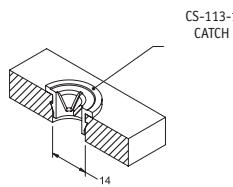
PA 6, V-2/-30°C to 85°C

- Striker is mounted with the striker base (CS-113-3) and screwed into the door or mounted to outside of removable panel (CS-113-6)
- The catch is designed for mounting either in wood cabinets (CS-113-1) or into a panel (CS-113-4)

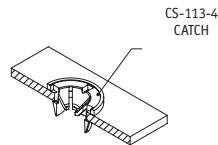


Type 1

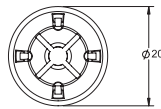
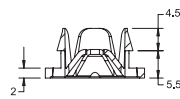
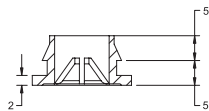
Type 4



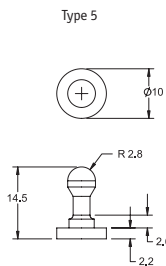
CS-113-1
CATCH



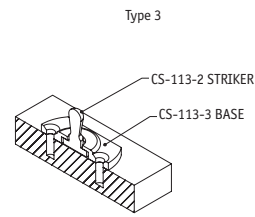
CS-113-4
CATCH



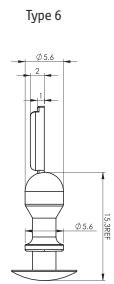
Average Insertion & Extraction Data	CS-113-1		CS-113-4	
	Insertion (N)	Extraction (N)	Insertion (N)	Extraction (N)
CS-113-2	34	22	12	11
CS-113-5	24	64	16	38
CS-113-6	24	64	16	38



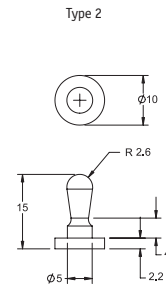
Type 5



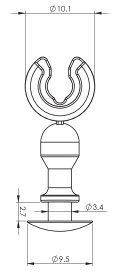
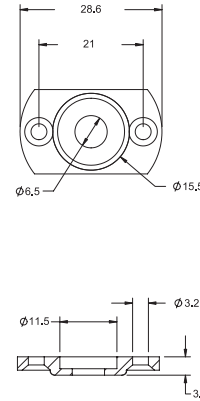
Type 3



Type 6



Type 2



Catch

Part Number	Type	Mounting Hole Ø	Mounting Panel	Material	Colour
CS-113-1	1	14	Min. 10mm board of compliant material (i.e. wood, fibreboard, etc.)	UL94 V2 Supertough PA 6/6	Black
CS-113-4	4	14	3.2mm Panel	UL94 V2, PA 6	Natural

Striker

Part Number	Type	Mounting Recommendation	Material	Colour
CS-113-2	2	Use Base CS-113-3	UL94 V2 Supertough PA 6/6	Black
CS-113-5	5	Use Base CS-113-3	UL94 V2 PA 6/6	Natural
CS-113-6	6	Mounting Hole Ø 5.8 - 6.4 Panel Thickness 1.6	UL94 HB Impact, Modified PA 6/6	Black

Base

Part Number	Type	Recommended Mounting Screw	Material	Colour
CS-113-3	3	"M3 Counter Sunk"	UL94 HB, Acetal	Black

Metal Leaf Hinges

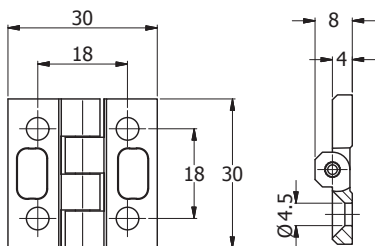
SR 5506

Die-Cast Zinc Alloy

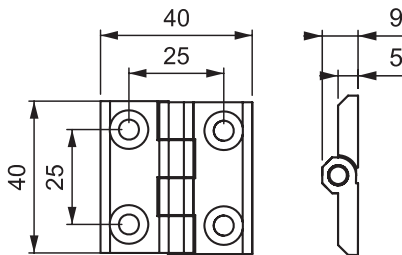
- Stainless steel pin
- For flush mounted doors
- Maximum rotation 270°



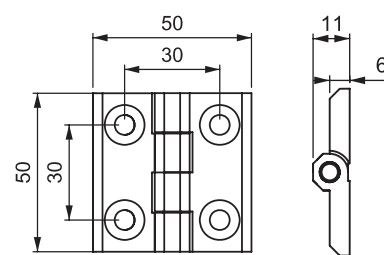
Type 0



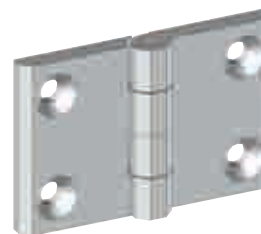
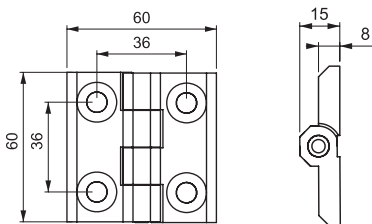
Type 1



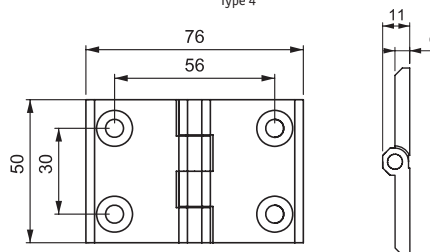
Type 2



Type 3



Type 4



Part Number		Type	Bolt Hole Size	Size (mm)	Standard Pack Quantity
Chrome Plated	Black Powder Coated				
099114E	299123E	0	M5	40 x 40	50
1299113	1299123	1	M4	30 x 30	50
099114E	099124E	2	M6	50 x 50	50
399114E	399124E	3	M8	60 x 60	50
0991110E	0991210E	4	M6	76 x 50	50

All dimensions in mm

CONTINUED ON NEXT PAGE

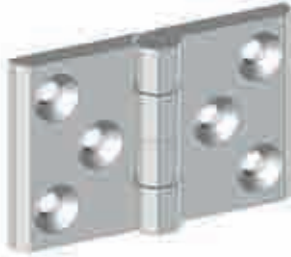
HINGES

Metal Leaf Hinges CONTINUED

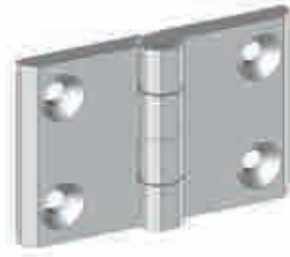
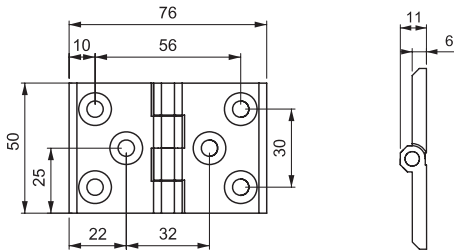
SR 5506

Die-Cast Zinc Alloy

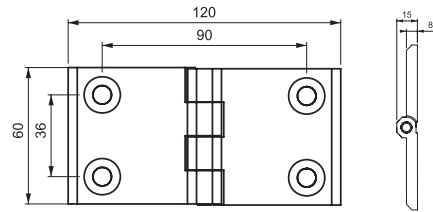
- Stainless steel pin
- For flush mounted doors
- Maximum rotation 270°



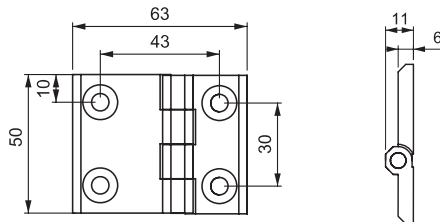
Type 5



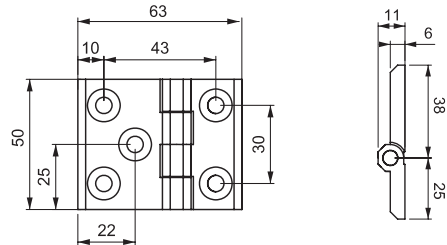
Type 6



Type 7



Type 8



Part Number		Type	Bolt Hole Size	Size (mm)	Standard Pack Quantity
Chrome Plated	Black Powder Coated				
099116E	099126E	5	M6	76 x 50	50
399116E	399126E	6	M8	120 x 60	50
099117E	099127E	7	M6	63 x 50	50
099115E	099125E	8	M6	63 x 50	50

All dimensions in mm

CONTINUED ON NEXT PAGE

Metal Leaf Hinges *CONTINUED*

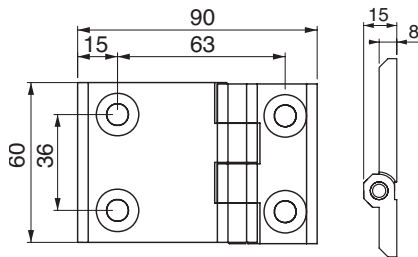
SR 5506

Die-Cast Zinc Alloy

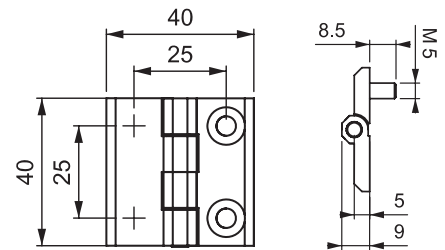
- Stainless steel pin
- For flush mounted doors
- Maximum rotation 270°



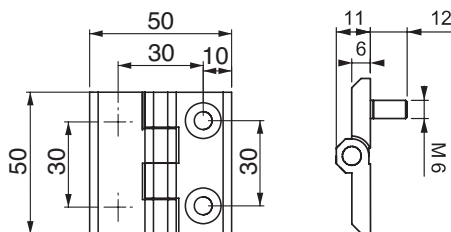
Type 9



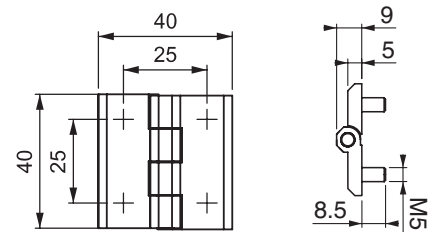
Type 10



Type 11



Type 12



Part Number		Type	Bolt Hole Size	Size (mm)	Standard Pack Quantity
Chrome Plated	Black Powder Coated				
399115E	399125E	9	M8	90 x 60	30
299112E	299122E	10	M5	40 x 40	75
099112E	099122E	11	M6	50 x 50	50
299111E	299121E	12	-	40 x 40	75

All dimensions in mm

CONTINUED ON NEXT PAGE

HINGES

Metal Leaf Hinges CONTINUED

SR 5506

Die-Cast Zinc Alloy

- Stainless steel pin
- For flush mounted doors
- Maximum rotation 270°



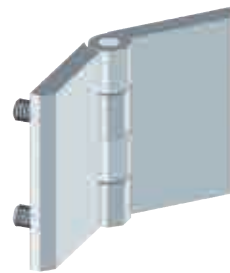
Type 13



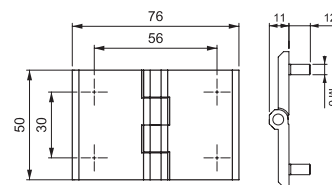
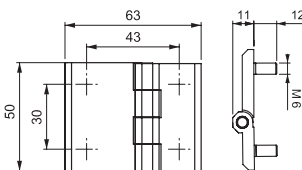
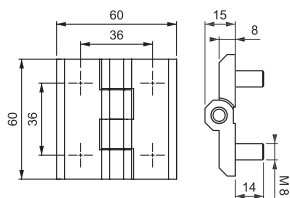
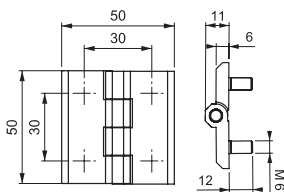
Type 14



Type 15



Type 16



Part Number		Type	Size (mm)	Standard Pack Quantity
Chrome Plated	Black Powder Coated			
099111E	099121E	13	50 x 50	50
399111E	399121E	14	60 x 60	50
099118E	099128E	15	63 x 50	50
099119E	099129E	16	76 x 50	50

All dimensions in mm

Metal Leaf Hinges

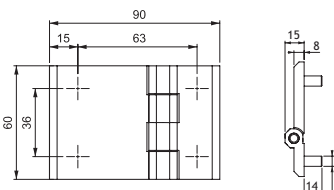
SR 5506

Die-Cast Zinc Alloy

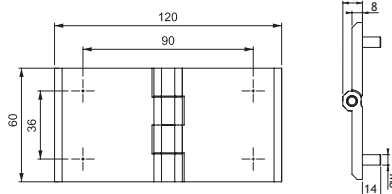
- Stainless steel pin
- For flush mounted doors
- Maximum rotation 270°



Type 17



Type 18



Part Number		Type	Size (mm)	Standard Pack Quantity
Chrome Plated	Black Powder Coated			
399112E	399122E	17	90 x 60	25
399113E	399123E	18	120 x 60	25

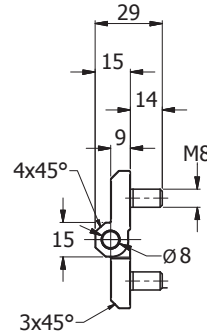
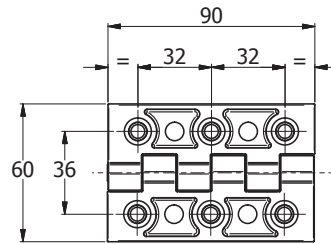
All dimensions in mm

Metal Leaf Hinges CONTINUED

SR 5506

Die-Cast Zinc Alloy

- Stainless steel pin
- For flush mounted doors
- Maximum rotation 270°



Type 19

Part Number		Type	Size (mm)	Standard Pack Quantity
Chrome Plated	Black Coated			
90011	90012	19	90 x 60	20

All dimensions in mm

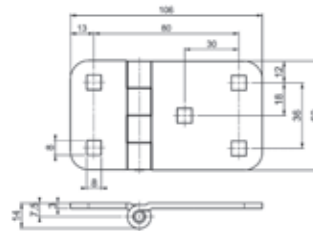
Flat Hinges

SR 5546

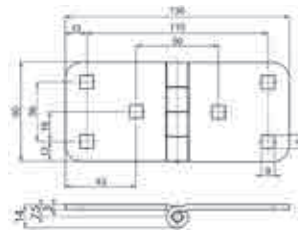
Type 1 & 2: Steel - Black Coated Finish

Type 3: Die-Cast Zinc Alloy & Delrin Bearing

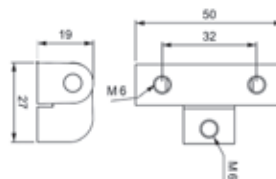
- Stainless Steel Pin
- Type 1 & 2: Very strong hinge – tamperproof
- Type 1 & 2: Supplied with M8 x 12mm fixings
- Type 1 & 2: 270° hinge rotational angle
- Type 3: 180° hinge rotational angle



Type 1



Type 2



Type 3

Part Number	Type	Standard Pack Quantity
499622E	1	48
499623E	2	24
693122E	3	50

Plastic Leaf Hinges

SR 5507

Polyamide 30% glass fibre reinforced

- Stainless steel pin
- Type 1-3 to suit M6 fixings
- Type 4-6 to suit M5 fixings



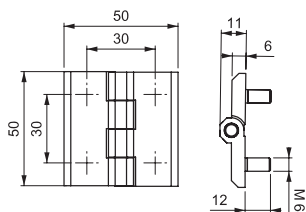
Type 1 & 4



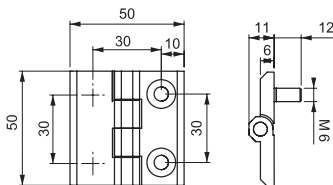
Type 2 & 5



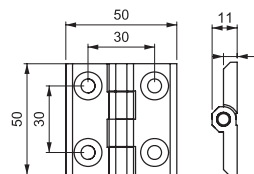
Type 3 & 6



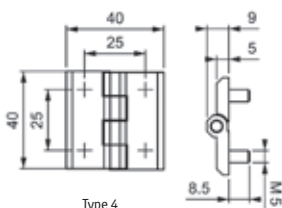
Type 1



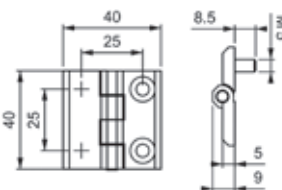
Type 2



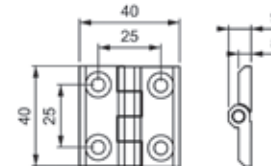
Type 3



Type 4



Type 5



Type 6

All dimensions in mm

50mm x 50mm

Part Number	Type	Standard Pack Quantity
199201E	1	100
199202E	2	100
199203E	3	100

40mm x 40mm

Part Number	Type	Standard Pack Quantity
299201E	4	100
299202E	5	100
299203E	6	100

Screw Covers Hinges

SR 6411

Glass fibre reinforced PA, rotation pin from POM

Black, matt finish

- Rotation angle max 200°
- Rotation pin in techno polymer ensures no corrosion

Type 1:

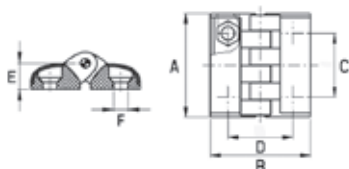
- Glossy plastic screw cover for excellent aesthetic appearance
- Hexagonal pass-through holes for cylindrical screw, hex nut/screw

Part Number	Dimensions (mm)						Standard Pack Quantity
	A	B	C	D	E	F	
274404059935	39.5	38	25	25	9	4.5	10
274496059935	49.5	48	30.5	31	11.5	5.5	10
274404159935	49.5	48	30.5	31	11.5	6.5	10
274495159935	65	63	40	40	15	6.5	10

Type 2:

- Pass-through holes for countersunk head screws

Part Number	Dimensions (mm)						Standard Pack Quantity
	A	B	C	D	E	F	
274495059935	39.5	38	25	25	9	4.5	10
274656059935	49.5	48	30.5	31	11.5	5.5	10
274656159935	65	63	40	40	15	6.5	10

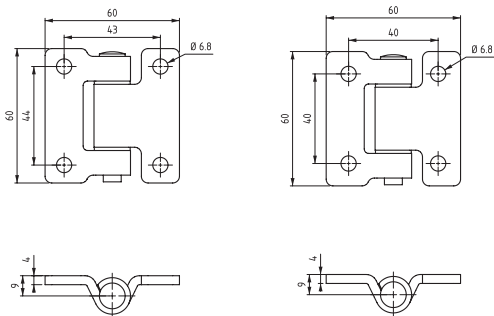


Leaf Hinges

Body: Steel

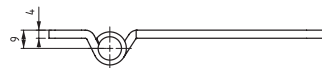
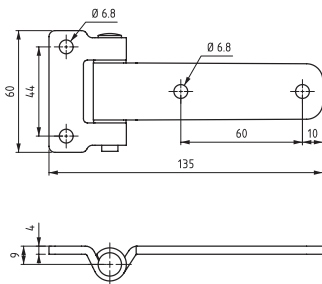
Pin: Steel

- Hinge rotation 180°
- Generally used for plain/flush mounted isolated, heavy duty doors
- Essentially used for generators and machinery covers



Type 1 - a

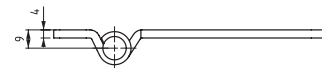
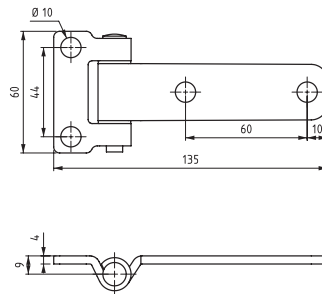
Type 1 - b



Type 1



Type 2



Type 3

HINGES

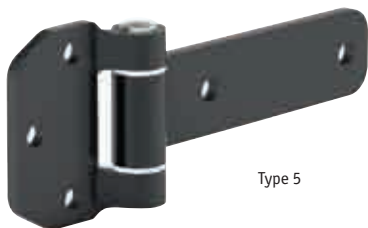
Leaf Hinges CONTINUED

SR 5077

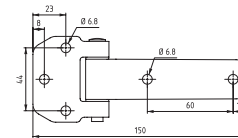
Body: Steel

Pin: Steel

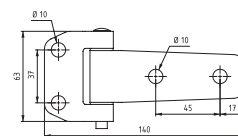
- Hinge rotation 180°
- Generally used for plain/flush mounted isolated, heavy duty doors
- Essentially used for generators and machinery covers



Type 5



Type 4



Part Number		Type	Standard Pack Quantity
Zinc Plated	Black Coated		
1599631	1599621	1 - a	25
1599636	1599626	1 - b	25
1599632	1599622	2	25
1599633	1599623	3	25
1599634	1599624	4	25
1599635	1599625	5	25

Leaf Hinge

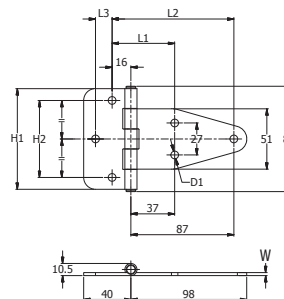
SR 5078

Body: Steel

Finish: Black coated

Pin: Stainless Steel

- Hinge rotation angle 180°
- Generally used for plain/flush mounted isolated, heavy duty doors



Part Number	Dimensions (mm)							Standard Pack Quantity
	L1	L2	L3	H1	H2	W	D1	
59962	53.0	103.0	14.0	85.0	65.0	2.5	6.5	25

Square Design Hinges with 4 Holes or Pins

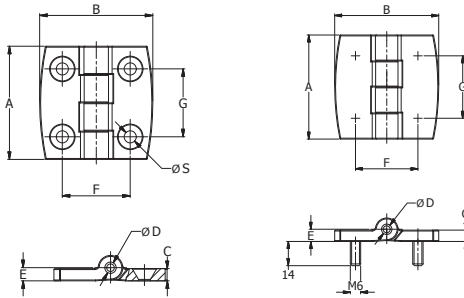
SR 6497

Black PA reinforced glass fibre (30%) wings

304 Stainless Steel Knurled Pin

304 Stainless Steel studs (nuts not supplied)

- Resistant and aesthetically pleasing
- Rotation up to 270°
- Corrosion-resistant



Type 1



Type 2

Type 1 – 4 Countersunk Holes

Type 2 – 4 Studs M6

Part Number	Type	Dimensions (mm)								Standard Pack Quantity
		A	B	C	D	E	F	G	S	
550054	1	30	30	3	3	3.5	18	18	3.2	20
550055	1	40	40	5.2	4	5.7	25	25	5.3	20
550056	1	50	50	5.9	5	6.4	30	30	6.4	20
550057	1	60	60	6.5	6	7	36	36	6.4	20
550058	2	60	60	6.5	6	7	36	36	-	20

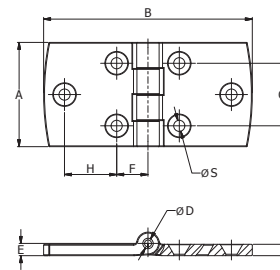
Symmetrical Design Hinges with 6 holes

SR 6496

Black PA reinforced glass fibre (30%) wings

304 Stainless Steel Knurled Pin

- Resistant and aesthetically pleasing
- Rotation up to 270°
- Corrosion-resistant



Part Number	Dimensions (mm)									Standard Pack Quantity
	A	B	C	D	E	F	G	H	S	
550059	40	80	5.2	4	5.7	13.5	25	19	5.3	20
550060	40	120	5.2	4	5.7	14.5	25	38	5.3	20
550061	50	100	5.9	5	6.4	16	30	24	6.4	20

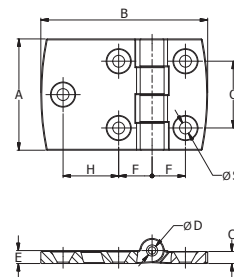
Asymmetrical Design Hinges with 5 holes

SR 6495

Black PA reinforced glass fibre (30%) wings

304 Stainless Steel Knurled Pin

- Resistant and aesthetically pleasing
- Rotation up to 270°
- Corrosion-resistant



Part Number	Dimensions (mm)								Standard Pack Quantity
	A	B	C	D	E	F	H	S	
550062	40	80	5.2	4	5.7	13.5	38	5.3	20
550063	50	75	5.9	5	6.4	15.5	24	6.4	20

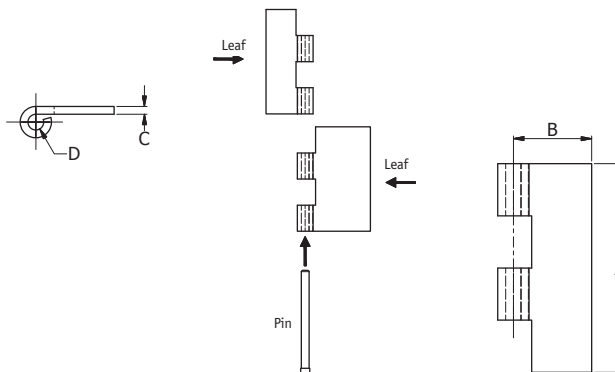
Modular Lift Off Hinges

SR 6492

Steel with Zinc Plated Steel Pin Ø6

304 Stainless Steel with 304 SS Pin Ø6

- Comprises two leaves and one pin
- Allows fast assembly of components in-house
- Leaves can be customised before assembly by bending, drilling or punching



Modular Hinges

Part Number		Dimensions (mm)				Standard Pack Quantity
Steel	SS 304	A	B	C	D	
550071	550077	80	30	3	6	25
550072	550078	80	40	3	6	25
550073	550079	80	50	3	6	25
550074	550080	80	60	3	6	25
550075	550081	80	80	3	6	25

Pins

Part Number		Dimensions (mm)		Standard Pack Quantity
Steel	SS 304	L	Ø	
550076	550082	80	6	50

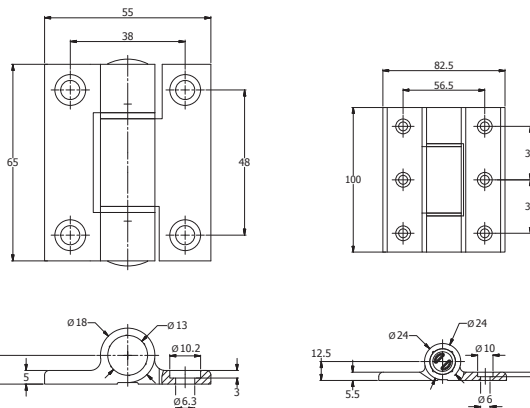
Free Swinging Hinge

SR 6498

Aluminium

Clear anodised finish

- Small hinge has the same footprint and same design as friction, detent and spring hinges. All are fully interchangeable
- Small hinge with end caps
- Large hinge has the same footprint and same design as large spring hinge. Can be combined or interchangeable



Part Number	Finish	Dimensions (mm)		Swing	Standard Pack Quantity
		L	W		
1334621	Clear Anodised	65	55	270°	20
1334622	Black Anodised	65	55	270°	20
550040*	Clear Anodised	65	55	270°	20
1334623*	Black Anodised	65	55	270°	20
550041	Clear Anodised	100	82.5	270°	20
1334624	Black Anodised	100	82.5	270°	20

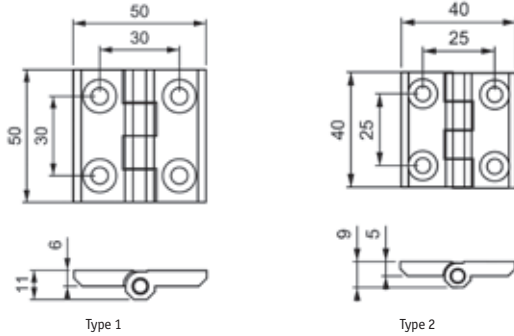
*Provided with end caps

Premium Stainless Steel Leaf Hinges

SR 5562

Stainless Steel AISI 316

- 270° Hinge Rotation Angle
- Generally used for plain or flush mounted doors

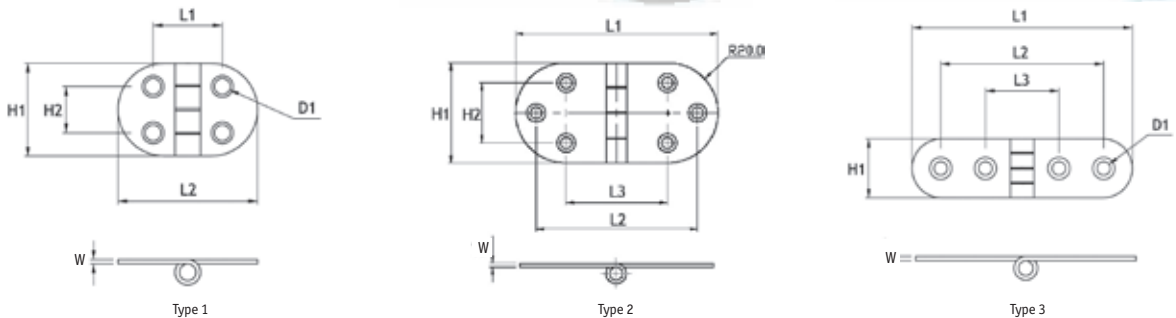


Part Number	Type	Bolt Hole Size	Standard Pack Quantity
099404E	1	M6	25
299403E	2	M5	25

Round Stainless Steel Hinges

SR 5421

Polished Stainless Steel 304



Part Number	Type	Dimensions (mm)							Standard Pack Quantity
		L1	L2	L3	H1	H2	W	D1	
1285099	1	22.3	45.0	-	30.0	15.0	1.5	5.0	40
1285100	2	81.0	64.5	40.5	40.0	24.0	1.5	4.6	40
1284317	3	75.0	55.5	25.0	20.0	-	1.5	4.6	40

Stainless Steel Lift Off Hinge

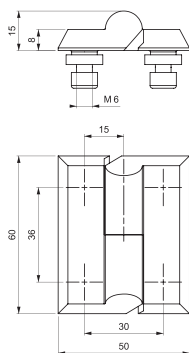
SR 5079

BODY: Stainless steel (AISI 316)

PIN: Stainless steel (AISI 303)



- Concealed mounting screws prevent external access to hinge
- Designed for plain/flush-mounted doors
- Suitable for left- and right-hand applications



Part Number	Door Locking Direction	Standard Pack Quantity
359940001E	Right Hand	100
359940002E	Left Hand	100

Stainless Steel Leaf Hinge

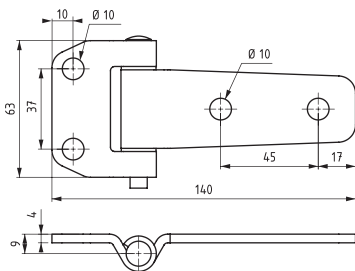
SR 5080

BODY: Stainless steel (AISI 304)

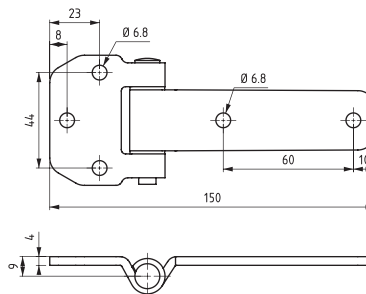
PIN: Stainless steel (AISI 303)



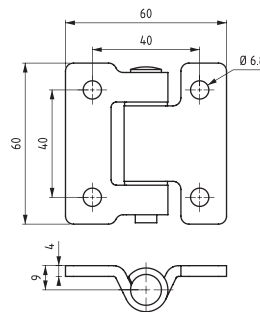
- Generally, used for plain/flush mounted, isolated, heavy doors.
- Both parts are attached by screws or nuts and bolts
- Hinge rotation angle is 180°



V:1



V:2



V:3

Part Number	Version	Standard Pack Quantity
1599404E	1	100
1599405E	2	100
1599406E	3	100

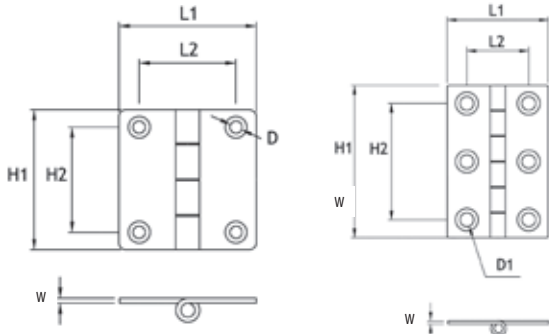
Square Stainless Steel Hinges

SR 5420

Polished Stainless Steel 304

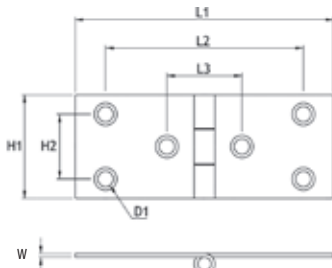


- General purpose hinges suitable for a wide variety of applications
- Countersunk holes



Types 1 to 4

Type 5



Type 6 & 7



Type 8



Type 1



Type 2



Type 3



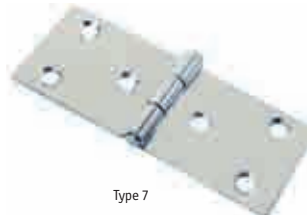
Type 4



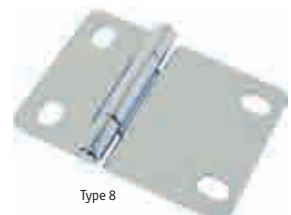
Type 5



Type 6



Type 7



Type 8

Part Number	Type	Dimensions (mm)							Standard Pack Quantity
		L1	L2	L3	H1	H2	W	D1	
1284312	1	39.0	27.6	-	40.0	30.0	1.5	3.5	40
1284313	2	40.0	25.3	-	40.0	21.2	1.5	4.6	40
1284314	3	39.0	23.0	-	40.0	24.0	1.5	4.6	40
1285096	4	90.0	60.0	-	60.0	40.0	3.0	6.3	40
1285097	5	33.5	20.5	-	50.8	38.8	1.0	4.6	40
1285098	6	49.5	35.5	22.8	60.0	48.0	1.5	3.7	40
1287382	7	100.0	77.0	29.0	40.0	25.0	1.5	6.0	20
1284315	8	70.5	55.0	26.5	55.0	32.0	1.5	6.8	20

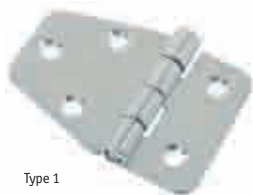
Angled Stainless Steel Hinges

SR 5422

Polished Stainless Steel AISI 304



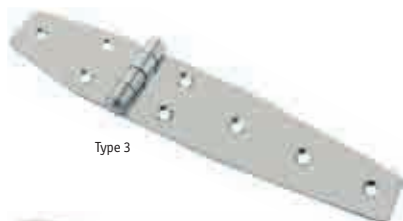
- General purpose hinges suitable for a wide variety of applications
- Countersunk holes



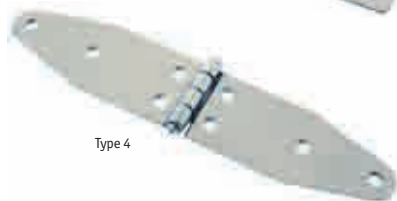
Type 1



Type 2



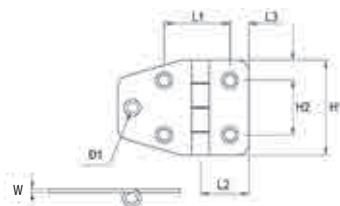
Type 3



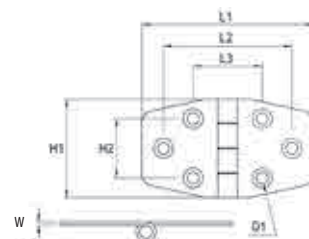
Type 4



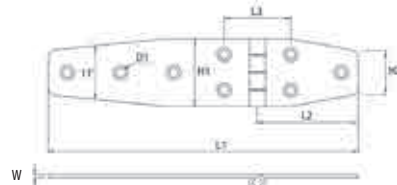
Type 5



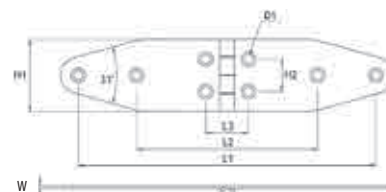
Type 1



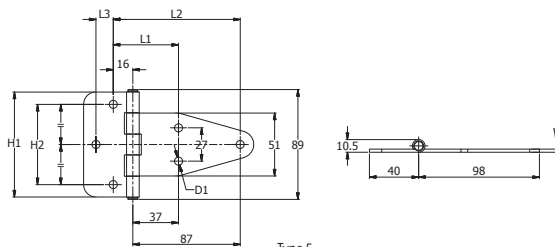
Type 2



Type 3



Type 4



Type 5

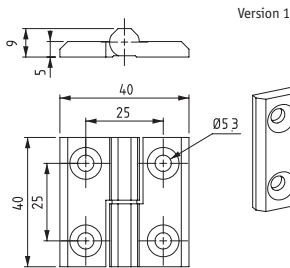
Part Number	Type	Dimensions (mm)							Standard Pack Quantity
		L1	L2	L3	H1	H2	W	D1	
1284316	1	27.5	20.3	8.0	40.0	23.0	1.5	4.5	40
1287383	2	69.5	52.0	28.0	40.0	24.0	1.5	4.7	40
1285101	3	175.0	57.0	38.0	38.0	23.5	2.0	5.2	20
1287384	4	53.0	103.0	14.0	85.0	65.0	1.5	6.5	50
59940	5	165.0	100.5	23.6	40.0	18.0	2.5	5.2	20

Stainless Steel Lift-Off Hinge

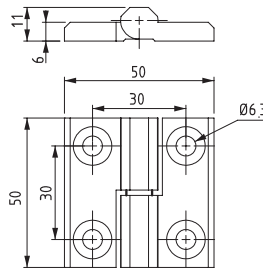
SR 5081

Stainless Steel (AISI 316)

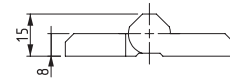
- Lift off hinge
- Suitable for left- and right-hand applications
- Opening angle 270°



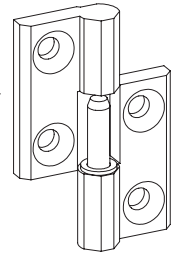
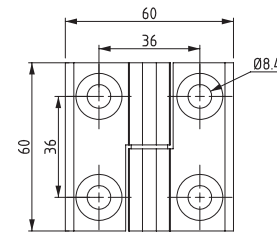
Version 1



Version 2



Version 3



Part Number	Version	Door-Locking Directions	Standard Pack Quantity
3299401001E	1	Right hand	50
3299401002E	1	Left hand	50
3099401001E	2	Right hand	50
3099401002E	2	Left hand	50
3399401001E	3	Right hand	50
3399401002E	3	Left hand	50

YOUR JOB MADE EASIER:

- **FREE SAMPLES** – try before you buy
- **SMALL PACKS** – available in the quantities you need
- **RELIABLE DELIVERY** – same day shipping from stock
- **OUTSTANDING CUSTOMER SERVICE** – expert advice

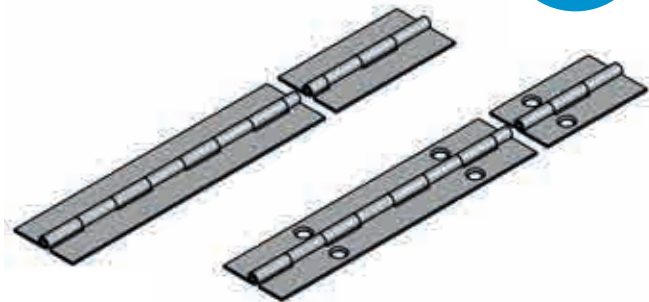
Call 0845 758 5070

www.essentracomponents.co.uk

0.8mm Continuous Hinge

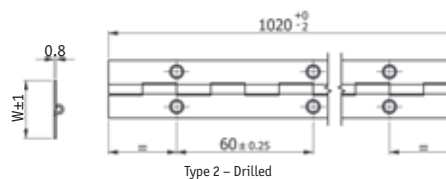
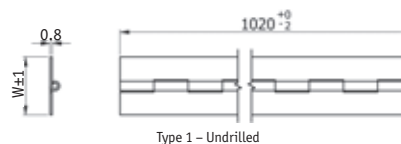
SR 5589

Steel/304 Stainless



- Light duty continuous hinge
- Sold in packs of 2 x 1020mm lengths
- Available drilled or undrilled
- Can be riveted, screwed or welded in position
- Ideal for lightweight furniture, cabinet/enclosures and sheetmetal fabrication
- Drilled type has holes to suit countersunk No.4 screws

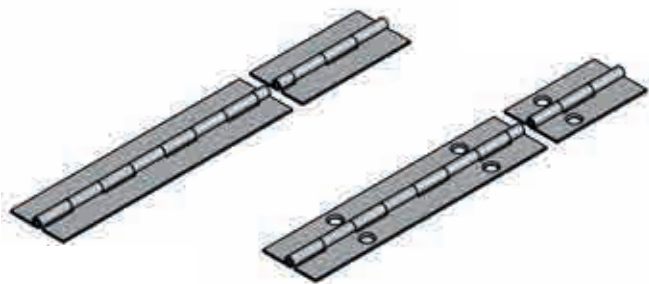
Part Number	W (mm)	Type	Material	Standard Pack Quantity (Pair)
1330673	25	1	Steel	2
1330674	25	2	Steel	2
1330675	30	1	Steel	2
1330676	30	2	Steel	2
1330689	25	1	Stainless Steel	2
1330690	25	2	Stainless Steel	2
1330691	30	1	Stainless Steel	2
1330692	30	2	Stainless Steel	2
1330677	40	1	Steel	2
1330686	40	2	Steel	2
1330693	40	1	Stainless Steel	2
1330704	40	2	Stainless Steel	2



1.0mm/1.2mm Continuous Hinge

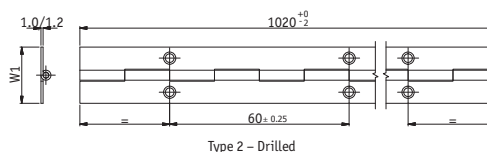
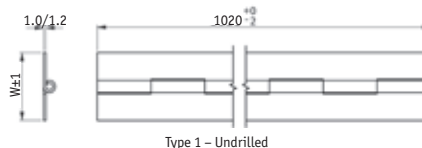
SR 5590

Steel/304 Stainless



- Light duty continuous hinge
- Sold in packs of 2 x 1020mm lengths
- Available drilled or undrilled
- Can be riveted, screwed or welded in position
- Ideal for lightweight furniture, cabinet/enclosures and sheetmetal fabrication
- Drilled type has holes to suit countersunk No.5 screws

Part Number	Thickness (mm)	W (mm)	Type	Material	Standard Pack Quantity (Pair)
1330678	1.0	30	1	Steel	2
1330679	1.0	30	2	Steel	2
1330694	1.0	30	1	Stainless Steel	2
1330695	1.0	30	2	Stainless Steel	2
1330680	1.2	40	1	Steel	2
1330681	1.2	40	2	Steel	2
1330696	1.2	40	1	Stainless Steel	2
1330697	1.2	40	2	Stainless Steel	2

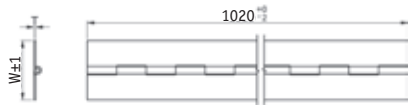
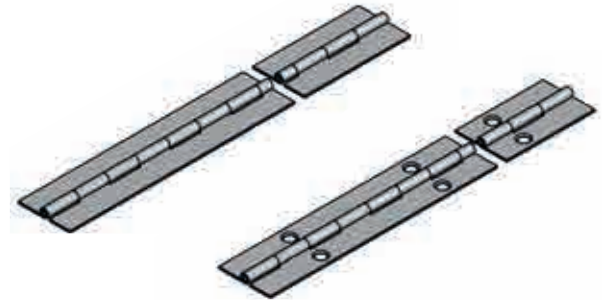


1.2mm Continuous Hinge

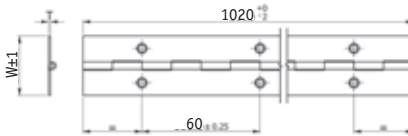
SR 5591

Steel/304 Stainless Steel

- Medium duty continuous hinge
- Sold in packs of 2 x 1016mm lengths
- Available drilled or undrilled
- Can be riveted, screwed or welded in position
- Suits a wide range of commercial and engineering applications
- Drilled type has holes to suit countersunk No.6 screws



Type 1 - Undrilled



Type 2 - Drilled

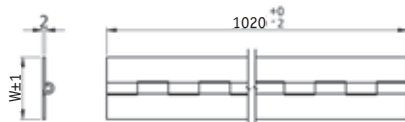
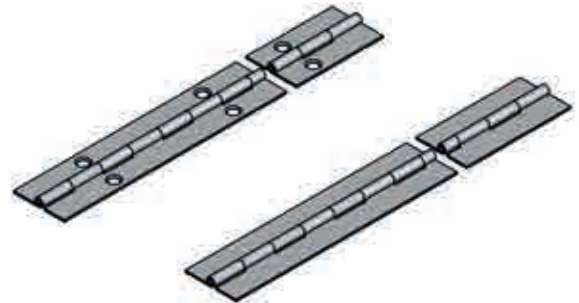
Part Number	W (mm)	Type	Material	Standard Pack Quantity (Pair)
1330682	50	1	Steel	2
1330683	50	2	Steel	2
1330698	50	1	Stainless Steel	2
1330699	50	2	Stainless Steel	2

2mm Continuous Hinge

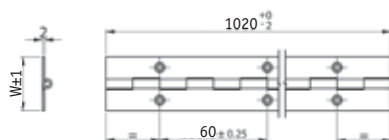
SR 5592

Steel or 304 Stainless Steel

- Heavy duty continuous hinge
- Sold in packs of 2 x 1016mm lengths
- Available drilled or undrilled
- Can be riveted, screwed or welded in position
- Suits a wide range of commercial and engineering applications
- Drilled type has holes to suit countersunk No.6 screws



Type 1 - Undrilled



Type 2 - Drilled

Part Number	W (mm)	Type	Material	Standard Pack Quantity (Pair)
1330684	50	1	Steel	2
1330687	50	2	Steel	2
1330700	50	1	Stainless Steel	2
1330703	50	2	Stainless Steel	2
1330685	60	1	Steel	2
1330688	60	2	Steel	2
1330701	60	1	Stainless Steel	2
1330702	60	2	Stainless Steel	2

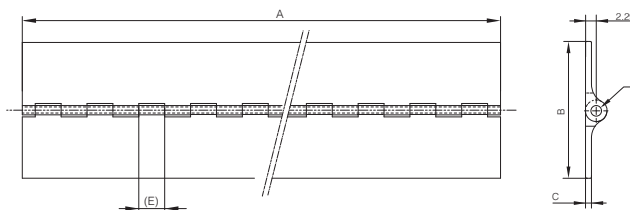
1.3mm Aluminium Continuous Hinge

SR 5082

Alu 6082 T5

Pin: Stainless Steel

- Aluminium profile with a small pin diameter
- Undrilled with weld on finish
- Dimensions used within aviation



Part Number	Finish	Dimensions (mm)					Standard Pack Quantity
		A	B	C	D	E	
1334603	Anodised	915	31.75	1.3	2.2	12.7	25
1334604	Raw	1830	31.75	1.3	2.2	12.7	25
1334605	Anodised	915	44.45	1.3	2.2	12.7	25
1334606	Raw	1830	44.45	1.3	2.2	12.7	25
1334607	Anodised	915	63.5	1.3	2.2	12.7	25
1334608	Raw	1830	63.5	1.3	2.2	12.7	25

WE HAVE MORE
CONTINUOUS
HINGES.
GIVE US A CALL

Call **0845 758 5070** or visit
www.essentracomponents.co.uk



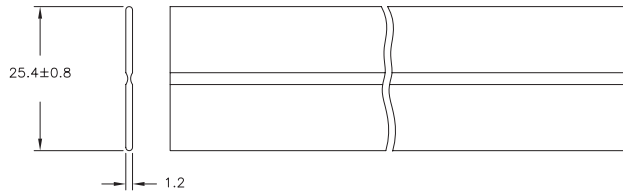
Single Living Hinge

SR 5083

SLH-16-1

Natural Polypropylene

0 to 65°C



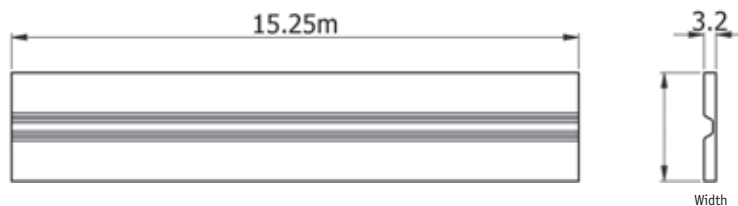
Part Number	Standard Pack Quantity (metres)
SLH-16-1	30m Rolls

Continuous Plastic Hinge

SR 5578

Polypropylene

- Temperature range -40°C to +80°C
- Can be fixed with rivets, screws, nails or clamps
- Chemical resistance: oil, solvents and sea water
- Tensile resistance – 180N/cm
- Supplied in 15.25m rolls



Part Number	Colour	Width	Standard Pack Quantity (metres)
493466	White	28.6	15.25
493467	Grey	28.6	15.25
493468	Black	28.6	15.25
493469	White	38.1	15.25
493470	Grey	38.1	15.25
493471	Black	38.1	15.25
493472	White	50.8	15.25
493473	Grey	50.8	15.25
493474	Black	50.8	15.25

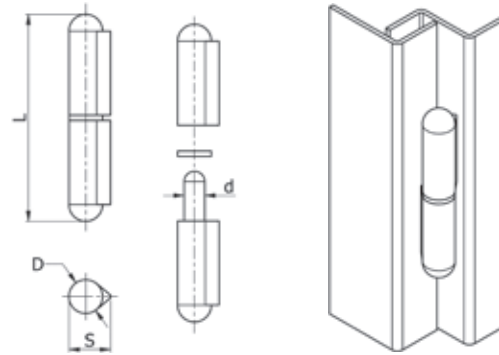
Steel Weld On Hinge

SR 5582

Steel/Brass

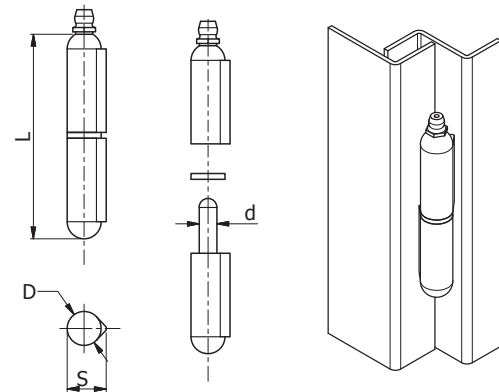
- Very simple design
- Available with steel or brass pin
- Extremely versatile
- Available with or without grease nipple

Type 1



Part Number		Type	Dimensions (mm)				Standard Pack Quantity
Steel Pin Version	Brass Pin Version		L	D	d	S	
1349723	1349739	1	40.0	8.0	5.0	10.0	50
1349735	1349740	1	50.0	8.0	5.0	10.0	50
1349724	1349741	1	60.0	10.0	6.0	11.9	50
1349736	1349742	1	70.0	11.5	6.0	13.2	25
1349725	1349728	1	80.0	13.0	8.0	15.5	25
1349726	1349729	1	100.0	16.0	10.0	19.6	25
1349737	1349743	1	120.0	16.0	10.0	19.6	25
1349727	1349744	1	150.0	20.0	13.0	25.4	25
1349738	1349745	1	180.0	20.0	13.0	25.4	25

Type 2



Part Number		Type	Dimensions (mm)				Standard Pack Quantity
Steel Pin Version	Brass Pin Version		L	D	d	S	
1349750	1349757	2	60.0	10.0	6.0	11.9	50
1349751	1349758	2	70.0	11.5	6.0	13.2	25
1349752	1349734	2	80.0	13.0	8.0	15.5	25
1349753	1349759	2	100.0	16.0	10.0	19.6	25
1349754	1349760	2	120.0	16.0	10.0	19.6	25
1349755	1349761	2	150.0	20.0	13.0	25.4	25
1349756	1349762	2	180.0	20.0	13.0	25.4	25

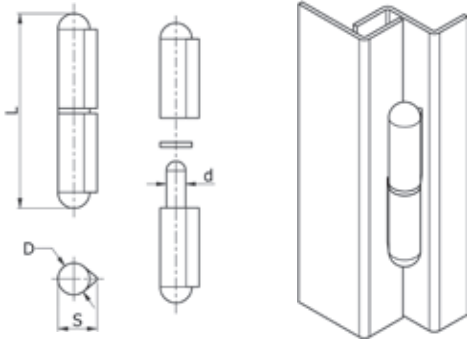
Aluminium Weld On Hinge

SR 5583
Aluminium



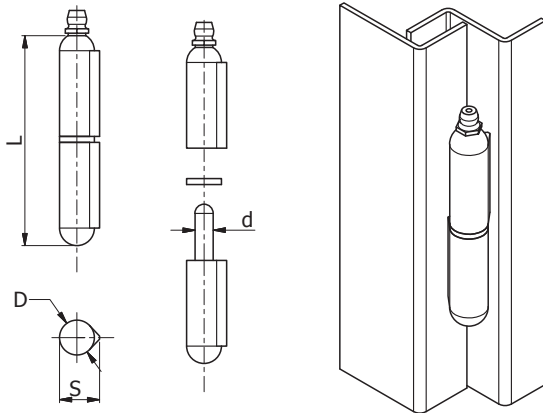
- Very simple design
- Stainless Steel washer
- Extremely versatile
- Available with or without grease nipple

Type 1



Part Number	Type	Dimensions (mm)				Standard Pack Quantity
		L	D	d	S	
1349730	1	60.0	10.0	6.0	11.9	50
1349731	1	80.0	13.0	8.0	15.5	50
1349746	1	100.0	16.0	10.0	19.6	20
1349747	1	120.0	16.0	10.0	19.6	20

Type 2



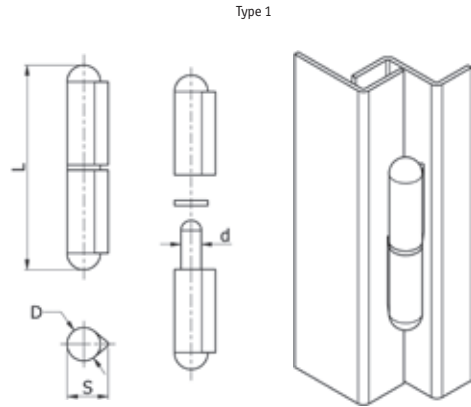
Part Number	Type	Dimensions (mm)				Standard Pack Quantity
		L	D	d	S	
1349763	2	60.0	10.0	6.0	11.9	50
1349764	2	80.0	13.0	8.0	15.5	50
1349765	2	100.0	16.0	10.0	19.6	25
1349766	2	120.0	16.0	10.0	19.6	25

Stainless Steel Weld On Hinge

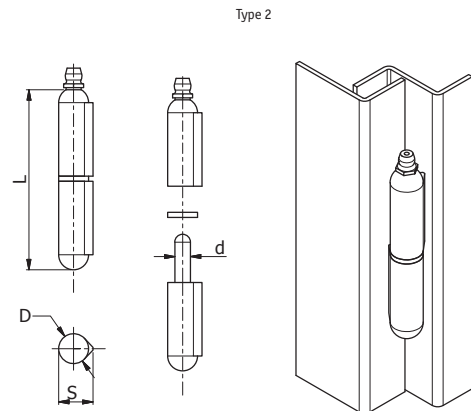
SR 5584

Stainless Steel

- Very simple design
- Extremely versatile
- Available with or without grease nipple



Part Number	Type	Dimensions (mm)				Standard Pack Quantity
		L	D	d	S	
1349748	1	60.0	10.0	6.0	11.9	50
1349732	1	80.0	13.0	8.0	15.5	25
1349733	1	100.0	16.0	10.0	19.6	25
1349749	1	120.0	16.0	10.0	19.6	25



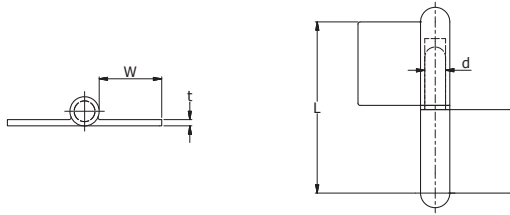
Part Number	Type	Dimensions (mm)				Standard Pack Quantity
		L	D	d	S	
1349767	2	60.0	10.0	6.0	12.5	50
1349768	2	80.0	13.0	8.0	16.0	25
1349769	2	100.0	16.0	10.0	20.0	25
1349770	2	120.0	16.0	10.0	20.0	25

Rolled Flag Hinges

SR5477

Stainless Steel, Steel or Aluminium

- Fixed pin hinge
- Two part rolled steel body with round end caps and brass washers
- Hinges are handed

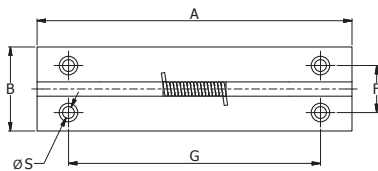


Part Number		Dimensions (mm)				Body Material	Pin Material	End Cap Material	Standard Pack Quantity
Right Handed	Left Handed	L	W	t	d				
497628	497909	60	30	3	10	Stainless Steel	Stainless steel	Stainless Steel	20
497629	497910	80	30	3	10	Stainless Steel	Stainless steel	Stainless Steel	20
497630	497911	100	50	3	10	Stainless Steel	Stainless steel	Stainless Steel	10
497631	497912	120	50	3	10	Stainless Steel	Stainless steel	Stainless Steel	10
499574	497917	60	30	3	10	Aluminium	Stainless steel	Aluminium	20
499575	497918	80	30	3	10	Aluminium	Stainless steel	Aluminium	20
499576	497919	100	50	3	10	Aluminium	Stainless steel	Aluminium	10
499577	497920	120	50	3	10	Aluminium	Stainless steel	Aluminium	10
497632	497913	60	30	3	10	Steel	Steel	Steel	20
497633	497914	80	30	3	10	Steel	Steel	Steel	20
497634	497915	100	50	3	10	Steel	Steel	Steel	10
499573	497916	120	50	3	10	Steel	Steel	Steel	10
499578	498423	60	30	3	10	Steel	Brass	Steel	20
499579	498424	80	30	3	10	Steel	Brass	Steel	20
499580	498425	100	50	3	10	Steel	Brass	Steel	10
499581	498426	120	50	3	10	Steel	Brass	Steel	10

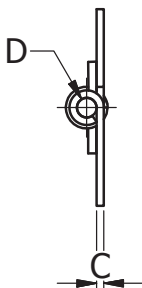
Spring Hinges

SR5472

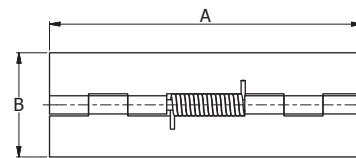
Drilled



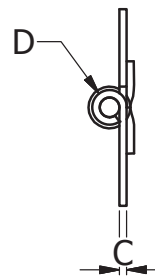
Opening Spring



Undrilled



Closing Spring



CONTINUED ON NEXT PAGE

Spring Hinge 50 x 50

Opening spring force in N.m:

M(0°):1,5 N.m/M(90°): 1,1 N.m/M(180°): 0,65 N.m

Closing spring force in N.m:

M(0°):0,25 N.m/M(90°): 0,65 N.m/M(180°):1,1 N.m

Part Number	Material/Finish	Spring Action	Type - Holes	Spring Material	Dimensions (mm)							Standard Pack Quantity
					A	B	C	D	F	G	S	
497591	Steel/Zinc Plated	Opening	Drilled - 4	Stainless Steel	50	50	2	4	9	30	5	25
497593	304 Stainless Steel/Raw	Opening	Drilled - 4	Stainless Steel	50	50	2	4	10	30	5	25
497592	Steel/Zinc Plated	Closing	Drilled - 4	Stainless Steel	50	50	2	4	9	30	5	25
497594	304 Stainless Steel/Raw	Closing	Drilled - 4	Stainless Steel	50	50	2	4	10	30	5	25

Spring Hinge 60 x 35

Opening spring force in N.m:

M(0°):0,09 N.m/M(90°): 0,07 N.m/M(180°): 0,045 N.m

Closing spring force in N.m:

M(0°):0,045 N.m/M(90°): 0,07 N.m/M(180°): 0,09 N.m

Part Number	Material/Finish	Spring Action	Type - Holes	Spring Material	Dimensions (mm)							Standard Pack Quantity
					A	B	C	D	F	G	S	
497586	Steel/Raw	Opening	½ Drilled - 2*	Steel	60	35	1	3	7.5	35	5	25
497587	Steel/Raw	Opening	½ Drilled - 2*	Stainless Steel	60	35	1	3	7.5	35	5	25
497588	Steel/Raw	Closing	½ Drilled - 2*	Stainless Steel	60	35	1	3	7.5	35	5	25

*Holes on one side only

Spring Hinge 75 x 20

Opening spring force in N.m:

M(0°):0,12 N.m/M(90°): 0,09 N.m/M(180°): 0,06 N.m

Part Number	Material/Finish	Spring Action	Type - Holes	Spring Material	Dimensions (mm)							Standard Pack Quantity
					A	B	C	D	F	G	S	
497589	Steel/Raw	Opening	Drilled - 4	Stainless Steel	75	20	0.8	1.8	11.2	60	2.8	25
497590	304 Stainless Steel/Raw	Opening	Drilled - 4	Stainless Steel	75	20	0.8	1.8	11.2	60	2.8	25

Spring Hinge 120 x 40

Opening spring force in N.m:

M(0°):0,85 N.m/M(90°): 0,56 N.m/M(180°): 0,28 N.m

Closing spring force in N.m:

M(0°):0,28 N.m/M(90°): 0,56 N.m/M(180°): 0,85 N.m

Part Number	Material/Finish	Spring Action	Type - Holes	Spring Material	Dimensions (mm)							Standard Pack Quantity
					A	B	C	D	F	G	S	
550042	Stainless Steel/Raw	Opening	Drilled - 4	Stainless Steel	120	40	1.5	4	22.7	60	4	25
550044	Stainless Steel/Raw	Opening	Undrilled	Stainless Steel	120	40	1.5	4	-	-	-	25
550043	Stainless Steel/Raw	Closing	Drilled - 4	Stainless Steel	120	40	1.5	4	22.7	60	4	25
550045	Stainless Steel/Raw	Closing	Undrilled	Stainless Steel	120	40	1.5	4	-	-	-	25

Spring Hinge 180x40

Opening spring force in N.m:

M(0°):1,7 N.m/M(90°): 1,1 N.m/M(180°): 0,56 N.m

Closing spring force in N.m:

M(0°):0,56 N.m/M(90°): 1,1 N.m/M(180°): 1,7 N.m

Part Number	Material/Finish	Spring Action	Type - Holes	Spring Material	Dimensions (mm)							Standard Pack Quantity
					A	B	C	D	F	G	S	
550046	304 Stainless Steel/Raw	Opening	Drilled - 6	Stainless Steel	180	40	1.5	4	22.7	60	4	25
550048	304 Stainless Steel/Raw	Opening	Undrilled	Stainless Steel	180	40	1.5	4	-	-	-	25
550047	304 Stainless Steel/Raw	Closing	Drilled - 6	Stainless Steel	180	40	1.5	4	22.7	60	4	25
550049	304 Stainless Steel/Raw	Closing	Undrilled	Stainless Steel	180	40	1.5	4	-	-	-	25

Spring Hinge 240x40

Opening spring force in N.m:

M(0°):2,55 N.m/M(90°): 1,68 N.m/M(180°): 0,84 N.m

Closing spring force in N.m:

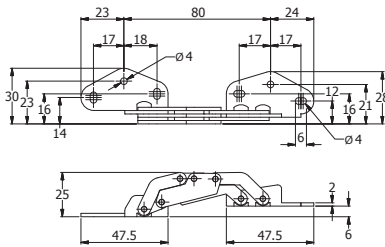
M(0°):0,84 N.m/M(90°): 1,68 N.m/M(180°): 2,55 N.m

Part Number	Material/Finish	Spring Action	Type - Holes	Spring Material	Dimensions (mm)							Standard Pack Quantity
					A	B	C	D	F	G	S	
550050	304 Stainless Steel/Raw	Opening	Drilled - 8	Stainless Steel	240	40	1.5	4	22.7	60	4	25
550052	304 Stainless Steel/Raw	Opening	Undrilled	Stainless Steel	240	40	1.5	4	-	-	-	25
550051	304 Stainless Steel/Raw	Closing	Drilled - 8	Stainless Steel	240	40	1.5	4	22.7	60	4	25
550053	304 Stainless Steel/Raw	Closing	Undrilled	Stainless Steel	240	40	1.5	4	-	-	-	25

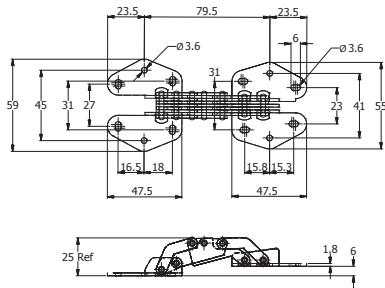
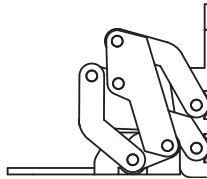
Concealed Hinges

SR 5468

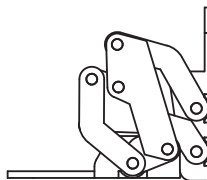
Steel



Type 1



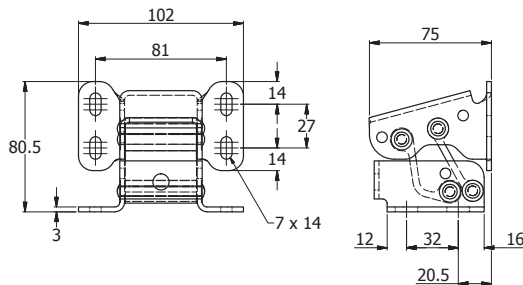
Type 2



Part Number	Type	Dimensions (mm)		Orientation	Standard Pack Quantity
		Height	Length		
497568	1	30.2	126.5	Left Handed	25
497569	1	30.2	126.5	Right Handed	25
497570	2	58.6	126.5	Non-Handed	25

Handed Hinges

- 90° Hinge Rotation Angle
- Reinforced multi-links articulation design offers a high resistance to bending and twisting due to high rigidity
- Left-hand and right-hand application is possible
- High mechanical strength
- Suitable for light or heavy duty applications
- Zinc plated

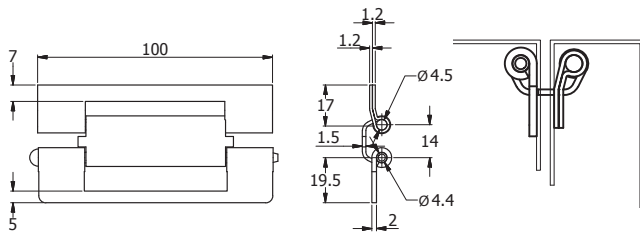


Pin Hinges

- 110° Hinge Rotation Angle
- High mechanical strength
- Ideal for heavy duty applications
- Zinc plated
- Anodised aluminium links



Part Number	Standard Pack Quantity
497571	20



Hinges with Removable Pin

- 180° Hinge Rotation Angle
- Ideal for metallic enclosures
- Door opens at two stages
- Removable pin makes for straightforward disassembly of doors
- Robust fixing by welding
- Maximum door thickness of 1mm



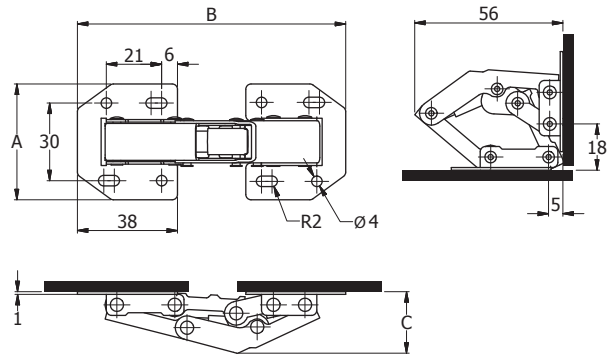
Part Number	Standard Pack Quantity
497572	25

CONTINUED ON NEXT PAGE

Concealed Hinges CONTINUED

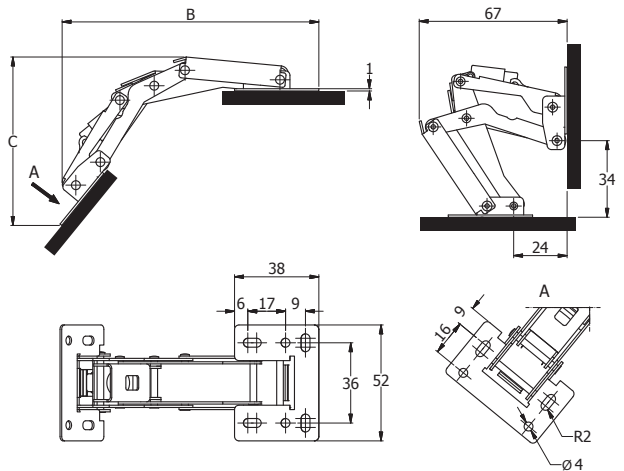
SR 5468

Spring Loaded Concealed Hinge 90° Opening



Part Number	Material	Finish	Dimensions (mm)			Standard Pack Quantity
			A	B	C	
550065	316 Stainless Steel	Raw	44	104.5	26	20

Spring Loaded Concealed Hinge 150° Opening



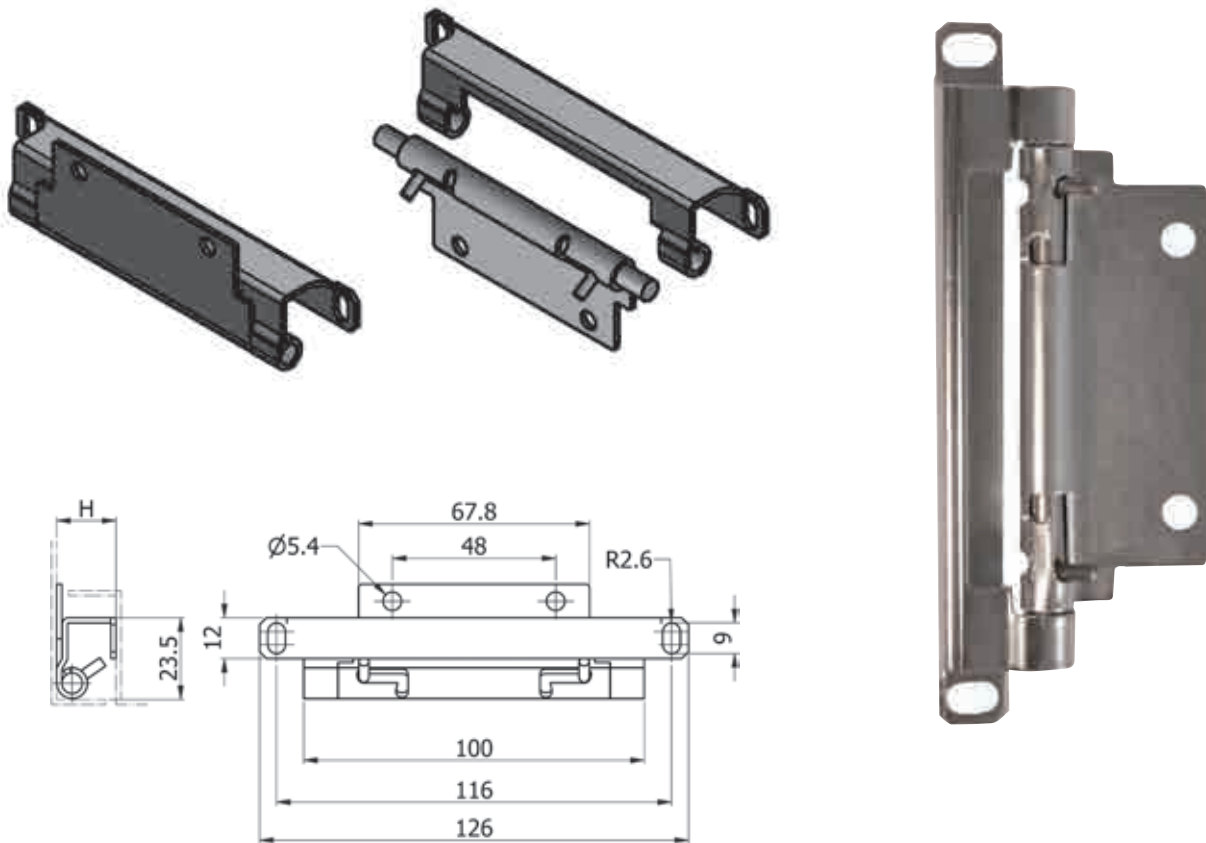
Part Number	Material	Finish	Dimensions (mm)			Standard Pack Quantity
			A	B	C	
550066	Steel	Nickel Plated	52	112	81	20
550067	304 Stainless Steel	Electro Plated	52	112	81	20

Removable Concealed Hinge

SR 5599

Zinc Plated Steel

- Concealed hinge
- Allows quick and easy door removal
- To suit M5 screws (not supplied)
- 120° Hinge rotation angle



Part Number	H (mm)	Standard Pack Quantity
493581	17.5	10
493582	20.5	10
493583	23.9	10

Concealed Hinges

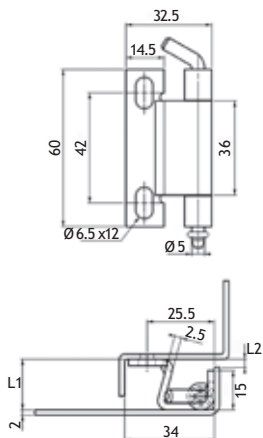
SR 5545

Zinc Plated Steel/Copper Plated or Stainless Steel

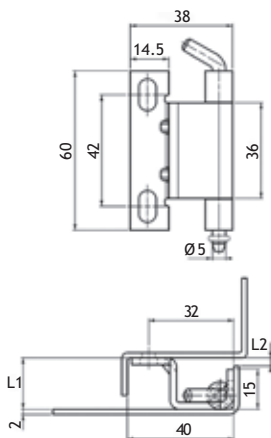
AISI 304



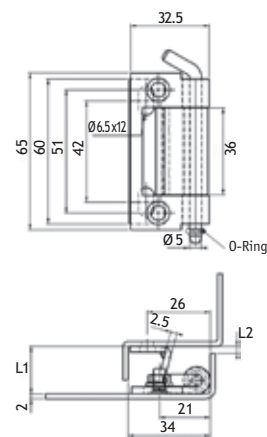
- Left-hand and right-hand application is possible
- Ideal for metal enclosures and machinery covers
- Type 1-6: Hinge rotational angle of 120°
- Type 5: Frame part – screw on, door part – weld on
- Type 7: Hinge rotational angle of 135°
- Type 8 & 9: Suitable for internally mounted doors



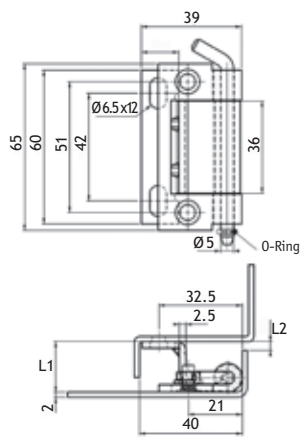
Type 1



Type 2



Type 3



Type 4



Type 1 & 2 – (frame Part screw on and door part welded on)

Part Number		Type	L1	Standard Pack Quantity
Zinc Plated Steel	Stainless Steel			
295631E	295401E	1	20	100
295632E	295402E	2	24	100
295633E	295403E	2	20	100
295634E	295404E	2	24	100

Type 3 & 4

Part Number		Type	L1	Standard Pack Quantity
Zinc Plated Steel	Stainless Steel			
395631E	395401E	3	20	100
395632E	395402E	3	24	100
395633E	395403E	4	20	100
395634E	395404E	4	24	100

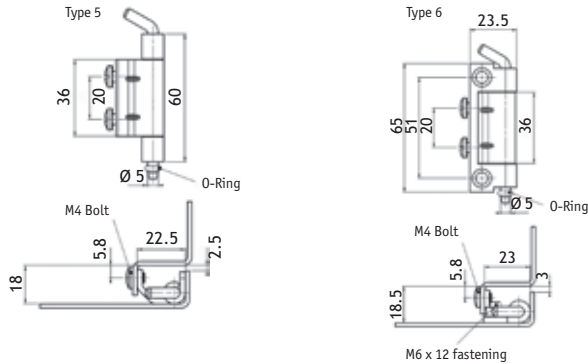
Concealed Hinge CONTINUED

SR 5545

Zinc Plated Steel or Stainless Steel AISI 304

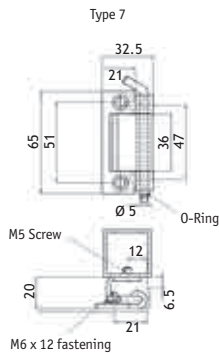


- Left-hand and right-hand application is possible
- Ideal for metal enclosures and machinery covers
- Type 1-6: Hinge rotational angle of 120°
- Type 5: Frame part – screw on, door part – weld on
- Type 7: Hinge rotational angle of 135°
- Type 8 & 9: Suitable for internally mounted doors



Type 5 & 6

Part Number		Type	Standard Pack Quantity
Zinc Plated Steel	Stainless Steel		
695631E	695401E	5	100
695632E	695402E	6	100



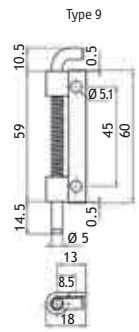
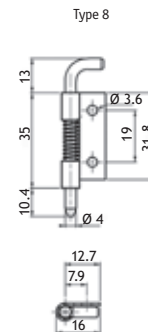
Type 7

Part Number		Type	Standard Pack Quantity
Zinc Plated Steel	Stainless Steel		
79563E	79540E	7	100



Type 8 & 9 (spring loaded for easy door removal)

Part Number				Type	Standard Pack Quantity
Zinc Plated Steel		Stainless Steel			
Left Hand	Right Hand	Left Hand	Right Hand		
289631002E	289631001E	289401002E	289401001E	8	50
289632002E	289632001E	289402002E	289402001E	9	50

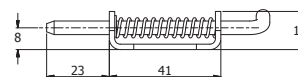
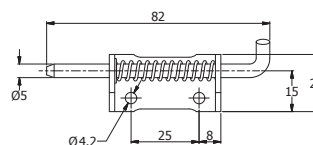


Concealed Springloaded Pin Hinge

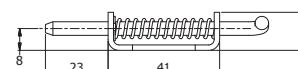
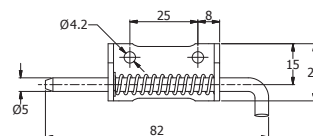
SR 5469

Stainless Steel

- Retractable spring loaded pin allows the quick assembly and disassembly of the door without the aid of a tool
- Left-hand and right-hand application is possible
- Can be used as both a locking and positioning device



Type 1



Type 2



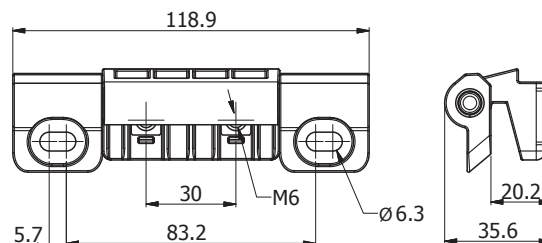
Part Number	Type	Housing Material	Finish	Dimensions (mm)					Standard Pack Quantity
				L	H	W	Pin Diameter	d	
497573	1	Steel	Raw	82	21	14	5	12	25
497575	1	Steel	Zinc Plated	82	21	14	5	12	25
497577	1	304 Stainless Steel	Raw	82	21	14	5	12	25
497574	2	Steel	Raw	82	21	14	5	12	25
497576	2	Steel	Zinc Plated	82	21	14	5	12	25
497578	2	304 Stainless Steel	Raw	82	21	14	5	12	25

Concealed Hinge

SR 5482

ABS

- Suitable for lightweight panels and applications
- Left and right hand application is possible
- Suitable for M6 screws
- 90° hinge rotation angle



Part Number	Standard Pack Quantity
394E	20

Stainless Steel Concealed Hinge

SR B-0005

Material

Body: Steel

Welding part: Zamak DIN-EN 1774-ZnAl4Cu1

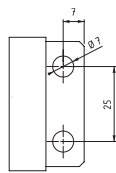


Finish

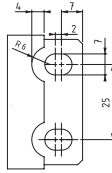
Body: Stainless Steel (AISI 304)

Pin: Stainless Steel (AISI 303)

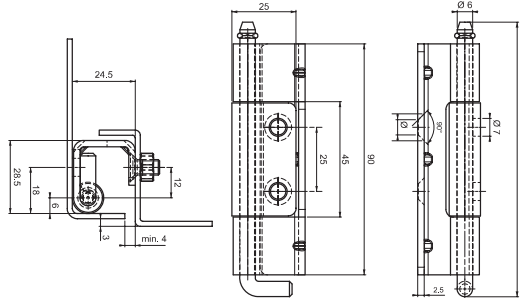
- Ease of access with simple and quick door removal by removing pin
- Suitable for heavy-duty applications
- Ideal for outdoor applications



Circular



Slotted



Part Number	Hole Type	Standard Pack Quantity
99540410E	Circular	50
99540420E	Slotted	50

Concealed Hinge

SR 5084

Material

Body: Steel

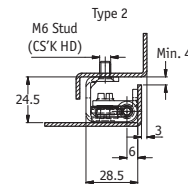
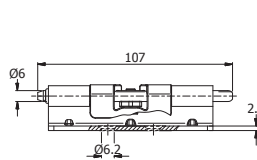
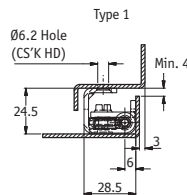
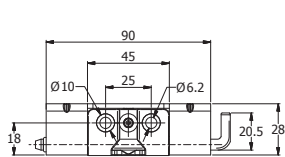
Welding part: Zamak DIN-EN 1774-ZnAl4Cu1

Finish

Body: Zinc plated

Welding part: Zinc plated

- Suitable for heavy duty application
- Door part can be removed out by screw
- Suitable for 25mm door bend cabinets
- Hinge rotation angle 110°



Part Number	Type	Standard Pack Quantity
9956320	1	50
9956321	2	50

Corner Hinges

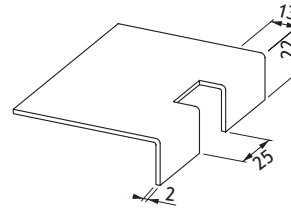
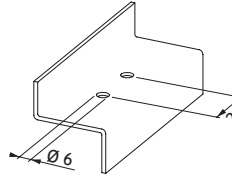
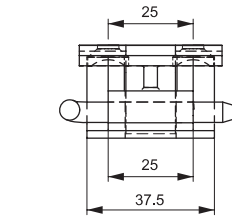
SR 5508

Die-Cast Zinc Alloy

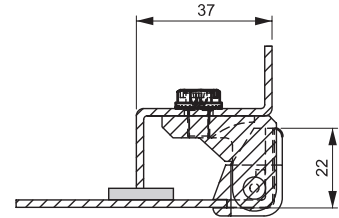
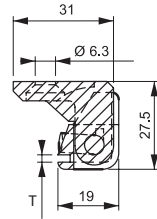
- Pin type 1 from plastic (POM)
- Pin type 2 from stainless steel
- Hinge rotational angle of 180°



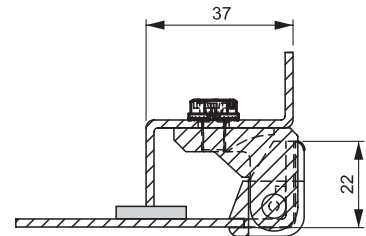
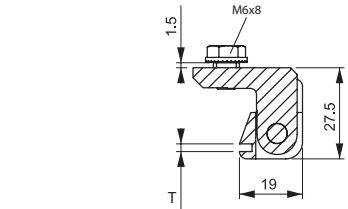
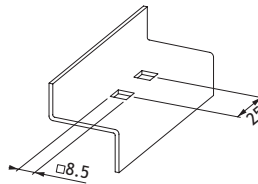
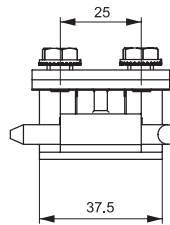
Type 1



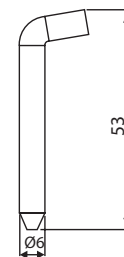
Panel door fixing for Type 1 & 2



Type 2



P=2



Pin Type (P)

Part Number	Type	Pin Type (P)	Panel Thickness (mm)	T (mm)	Standard Pack Quantity
098122E	1	2	2	2.2	50
298122E	2	2	2	2.2	50

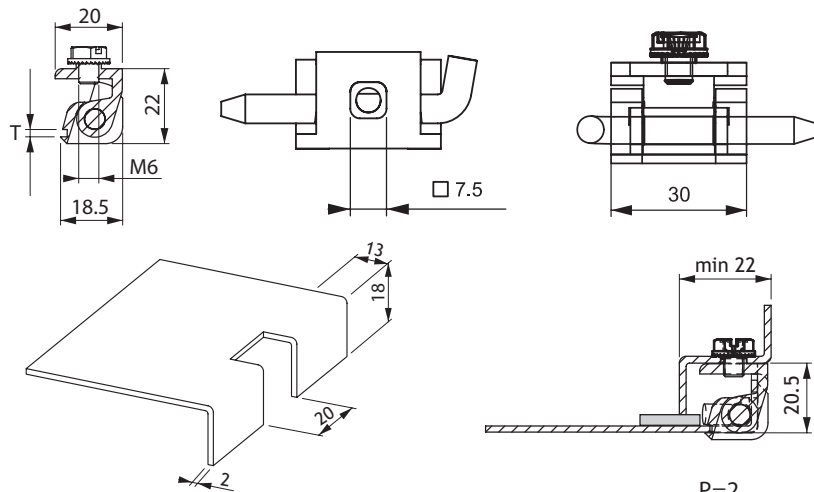
All dimensions in mm

Corner Hinge CONTINUED

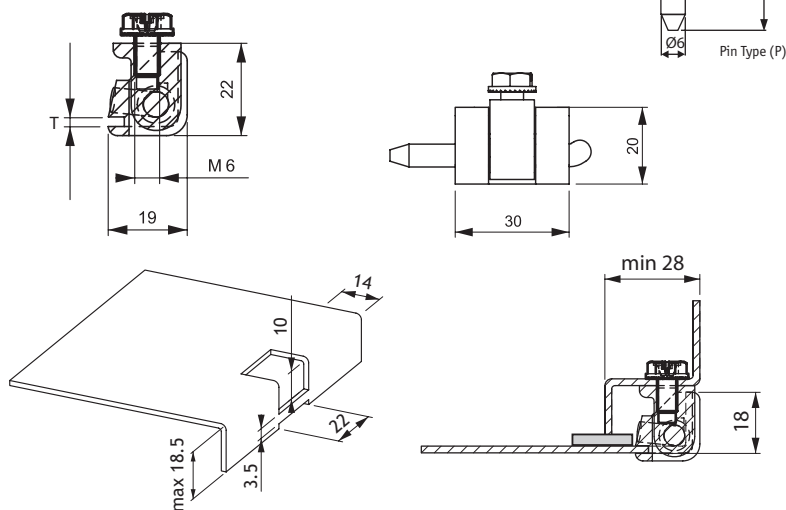
SR 5508

Die-Cast Zinc Alloy

- Pin type 2 from stainless steel
- Hinge rotational angle of 180°



Type 3



Type 4

Dimensions (mm)		Type	Pin Type (P)	Panel Thickness (mm)	T	Standard Pack Quantity
Chrome	Black Coated					
09711215E	09712215E	3	2	1.0-1.2	1.5	50
09711222E	09712222E	3	2	1.5-2.0	2.2	50
29711215E	29712215E	4	2	1.0-1.2	1.5	50
29711222E	29712222E	4	2	1.5-2.0	2.2	50

All dimensions in mm

CONTINUED ON NEXT PAGE

HINGES

Corner Hinges CONTINUED

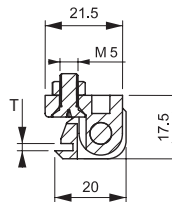
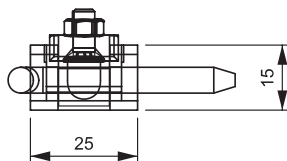
SR 5508

Polyamide 30% Glass Fibre Reinforced

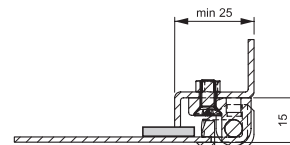
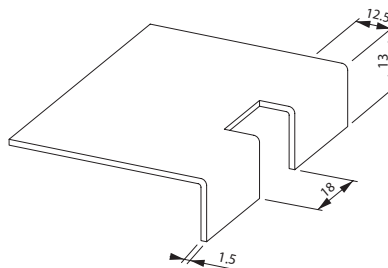
- Pin type 1 from plastic (POM)



Type 5



Pin Type (P)



Part Number	Type	Pin Type (P)	Panel Thickness (mm)	T	Standard Pack Quantity
197201E	5	1	1.5	2	100

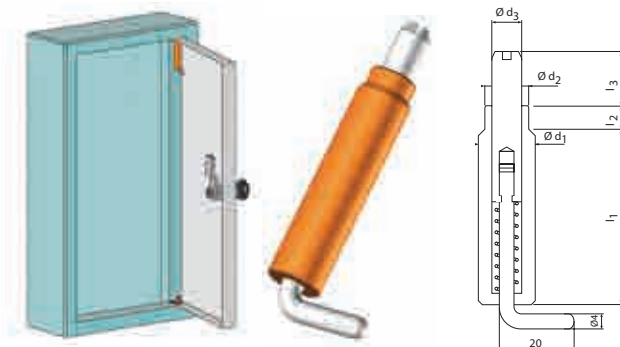
All dimensions in mm

Quick Release Panel Door Hinge

SR 5510

Steel

- For internally mounted doors
- To be welded
- Can be used as a pair or with hinge pin
- Hinge rotational angle of 110°



Spring Loaded Corner Hinge

Part Number	Dimensions (mm)						Standard Pack Quantity
	d1	d2	d3	l1	l2	l3	
18910E	10.0	8.5	6.0	38.0	3.5	10.0	100
18912E	12.0	9.0	6.0	38.0	3.5	10.0	100
18915E	15.0	12.0	9.0	47.0	6.0	14.5	100

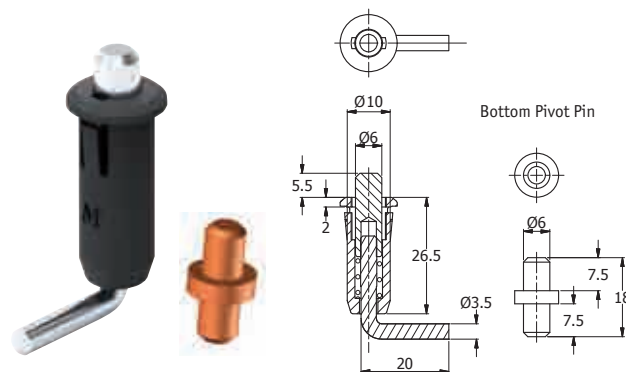
Quick Release Panel Door Hinge

SR 5085

Body: Polyamide DIN-EN ISO 1043-1, PA6 GFR 30

Pin: Steel

- For internally mounted doors
- Spring loaded hinge to remove the door easily
- Clip fixing for easy assembly
- Hinge rotation 110°



Spring Loaded Corner Hinge

Part Number	Standard Pack Quantity
389	50

Hinge Pin

Part Number	Standard Pack Quantity
32003192E	100

Side Hinges

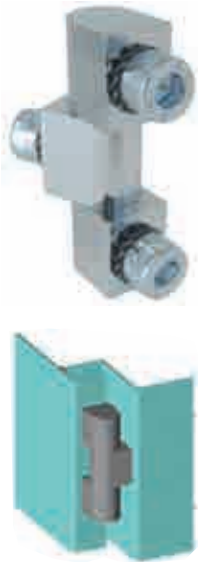
SR 5544

Type 1 & 2: Chrome Plated Brass DIN 17672

Type 3: Die-Cast Zinc Alloy & Stainless Steel Pin

- Hinge rotational angle of 180°
- Type 1 & 2: High resistance hinge for medium and heavy door panels
- Type 1 & 2: Assembled using special screws (supplied)
- Type 1 & 2: High security
- Type 3: Lower security alternative

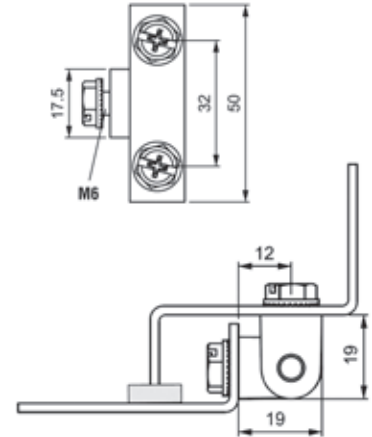
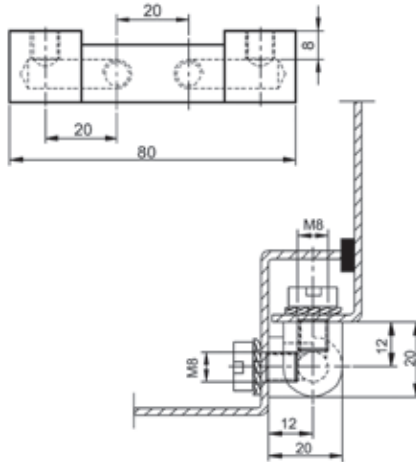
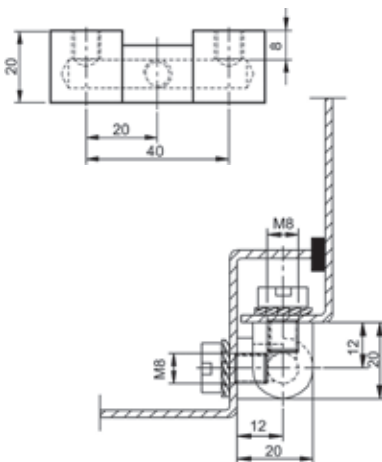
Type 1



Type 2



Type 3



Part Number	Type	Style	Standard Pack Quantity
29331E	1	Brass Profile Hinge	50
39331E	2	Brass Profile Hinge	50
69312E	3	Offset Hinge	50

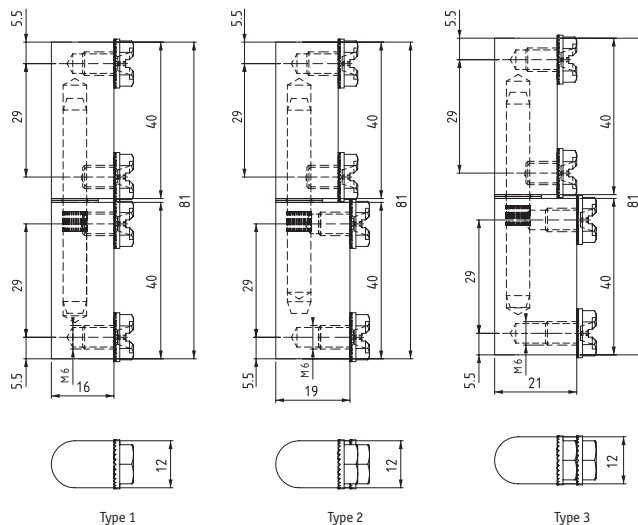
HINGES

Brass Side Hinge

SR B-0004

Material: Brass

- Ease of access with simple and quick door removal
- Bolts included



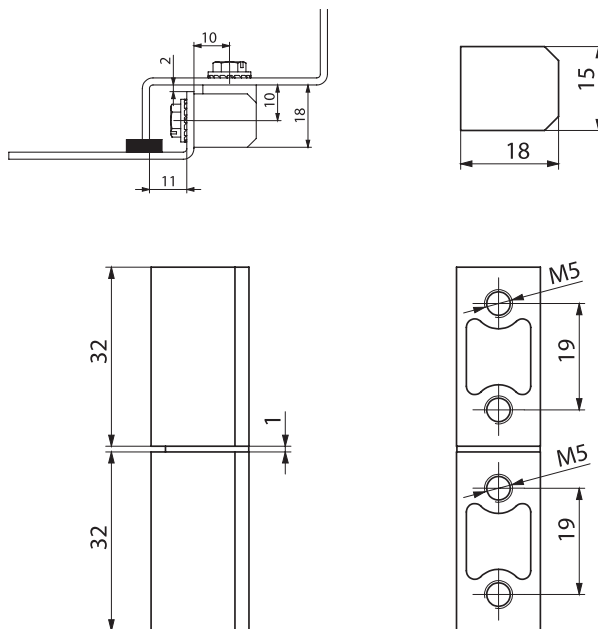
Part Number	Type	Standard Pack Quantity
9933116E	1	50
9933119E	2	50
9933121E	3	50

Stainless Steel Side Hinge

SR B-0002

Material: Stainless Steel

- Ease of access with simple and quick door removal
- Bolts included



Part Number	Standard Pack Quantity
129340E	50

Functional Locking Hinge

1043-1 PA6 GFR 30

Handle: Polyamide DIN-EN ISO 1043-1 PA6 GFR 30

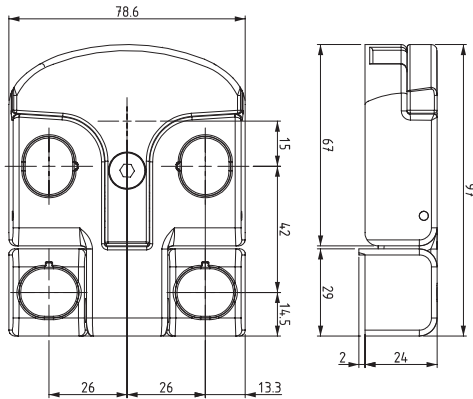
Driver: Zamak DIN-EN 1774-ZnAl4Cu1

Cam: Zamak DIN-EN 1774-ZnAl4Cu1

Catch Plate: Zamak DIN-EN 1774-ZnAl4Cu1



- Lock can also be used as hinge
- Door can be completely removed by unlocking the both products



Part Number	Standard Pack Quantity
71220E	25

KEEP IT SECURE WITH OUR RANGE OF ACCESS HARDWARE

Enhance functionality and manage industry requirements with specific, HVAC orientated hinges and handles.



Call 0845 758 5070

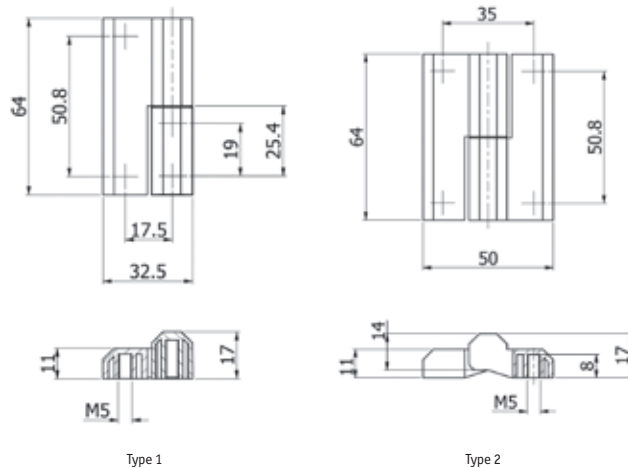
www.essentracomponents.co.uk

Standard Lift-Off Hinge

SR 5549

Die Cast Zinc Alloy

- Easy lift off
- For flush mounted doors
- Stainless steel pin
- Hinge rotation angle of 180°
- Supplied with M5 Fixings



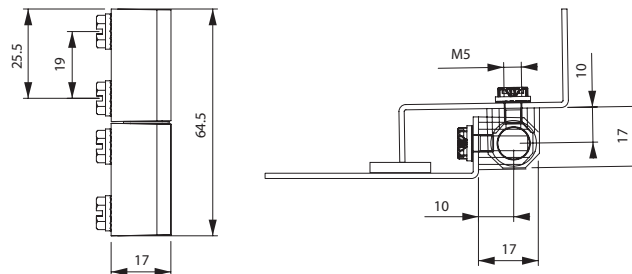
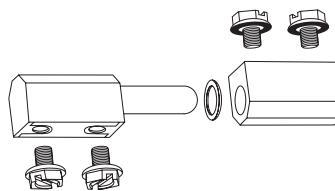
Part Number	Type	Style	Standard Pack Quantity
699121001E	1	Right Hand	50
699121002E	1	Left Hand	50
699122001E	2	Right Hand	50
699122002E	2	Left Hand	50

Standard Pin-On Hinge

SR 5511

Die-Cast Zinc Alloy

- Black powder coated or chrome plated
- For left or right hand doors
- Ideal for lightweight electrical panel doors
- Supplied with screws
- Hinge rotation angle 180°



Part Number		Standard Pack Quantity
Black Coated	Chrome	50
493121E	493111E	

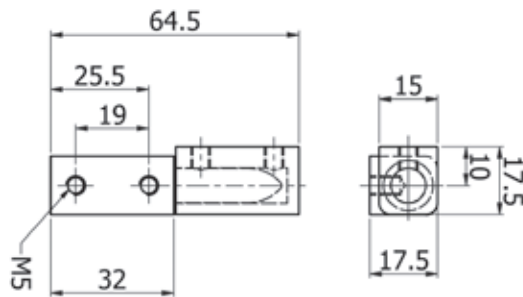
All dimensions in mm

In-Line Premium Lift-Off Hinge

SR5594

Black Powder Coated Zinc

- Allows simple and quick door removal
- Supplied with nylon washer
- Fixed using M5 screws (not supplied)
- Can be used as left or right hand
- 180° hinge rotation angle



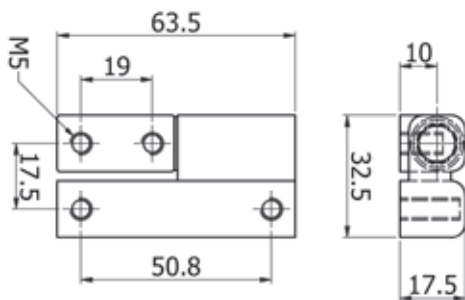
Part Number	Standard Pack Quantity
493573	20

Premium Lift-Off Hinge

SR5593

Black Powder Coated Zinc

- Allows simple and quick door removal
- Supplied with nylon washer
- Fixed using M5 screws (not supplied)
- 180° Hinge rotation angle



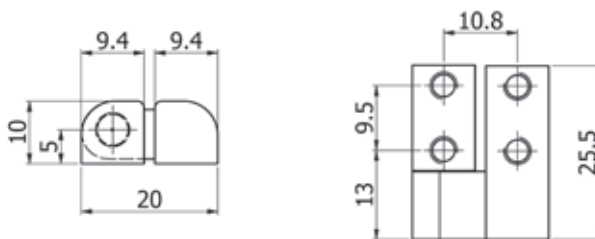
Part Number	Type	Standard Pack Quantity
493571	Left Hand	20
493572	Right Hand	20

Small Premium Lift-Off Hinge

SR 5595

Black Powder Coated Zinc

- Allows easy, quick door removal
- Concealed fixings
- Fixed using M4 screws (not included)
- 180° Hinge rotation angle



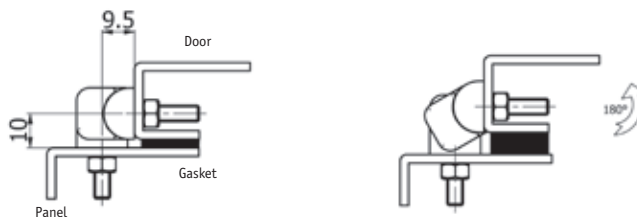
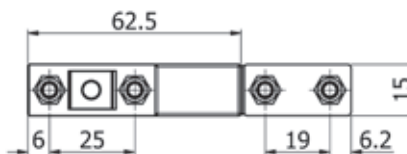
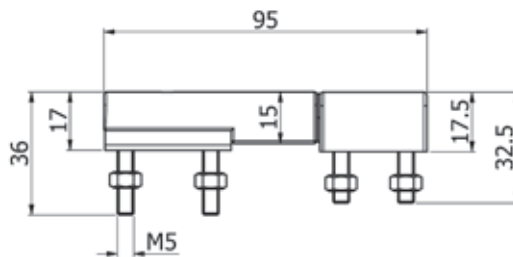
Part Number	Type	Standard Pack Quantity
493574	Left Hand	20
493575	Right Hand	20

Adjustable Compression Hinge

SR 5596

Black Powder Coated Zinc

- Allows easy, quick door removal
- M5 fixings are 304 stainless steel
- Hinge provides up to 5mm adjustment



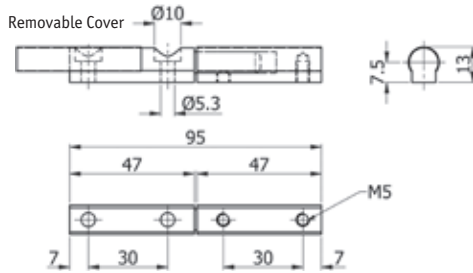
Part Number	Standard Pack Quantity
493576	10

Stainless Steel Pin on Hinge

SR 5458

304 Stainless Steel

- Right hand or left hand operation
- Top section: rear fixing M5
- Bottom section: front fixing with M5
- Removable stainless steel cover



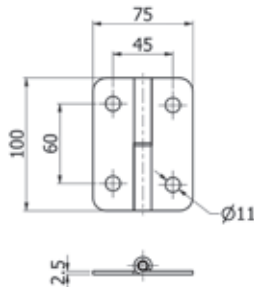
Part Number	Standard Pack Quantity
493867	10

Heavy Duty Lift-Off Hinge

SR 5564

Steel or 304 Stainless Steel

- Stainless Steel pin on all types
- 180° rotation
- Easy lift-off function



Part Number	Type	Material	Standard Pack Quantity
89963001E	Right Hand	Zinc Plated Steel	20
89963002E	Left Hand	Zinc Plated Steel	20
89962001E	Right Hand	Black Powder Coated Steel	20
89962002E	Left Hand	Black Powder Coated Steel	20
89940001E	Right Hand	Stainless Steel	20
89940002E	Left Hand	Stainless Steel	20

Offset Hinges

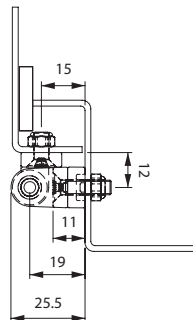
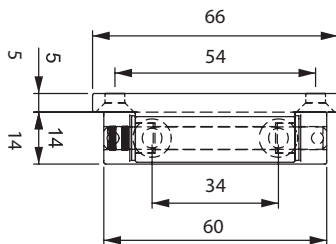
SR 5504

Die-Cast Zinc Alloy

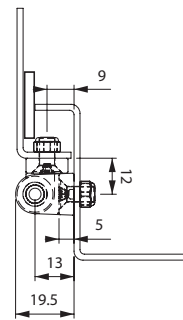
- Black Powder Coated
- Adapter available for different dimensions
- Hinge rotational angle of 180°



Type 1



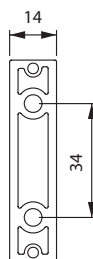
With Adaptor



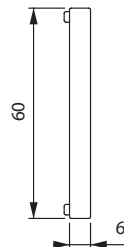
Without Adaptor



Adaptor for Type 1



Adaptor

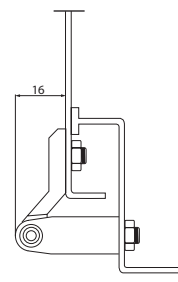
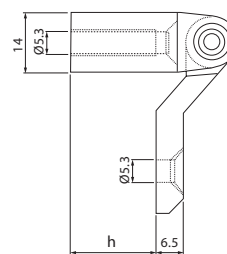
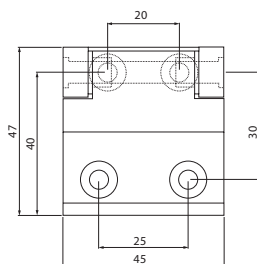


Type 1 - Stainless steel hinge pin

Part Number	Style	Standard Pack Quantity
5931225E	With Adaptor	50
5931219E	Without Adaptor	50



Type 2



Type 2 - Hardened steel hinge pin

Part Number	h (mm)	Standard Pack Quantity
1001200E	0.0	50
1001205E	5.0	50
1001207E	7.0	50
1001210E	10.0	50
1001210E	25.0	50

All dimensions in mm

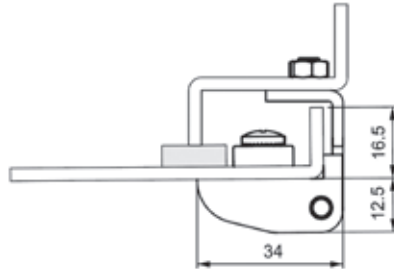
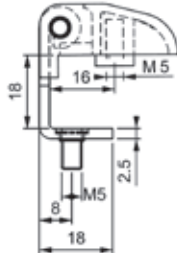
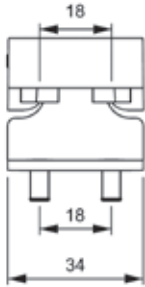
Raised Corner Hinges

SR 5509

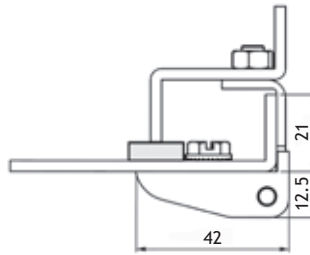
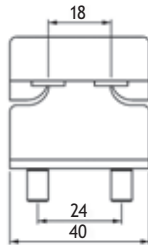
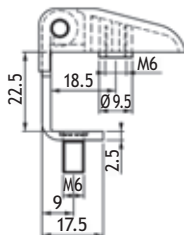
Body: Black Finish Die-Cast Zinc Alloy and Steel or PA 6 and Steel

Pin: Steel

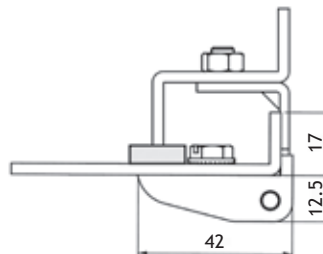
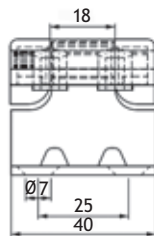
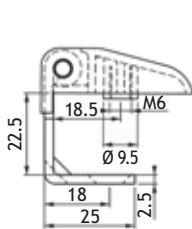
- Hinge rotation angle of 180°
- Suitable for machine covers and electric panels



Type 1



Type 2



Type 3

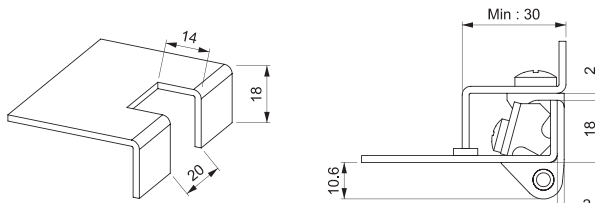
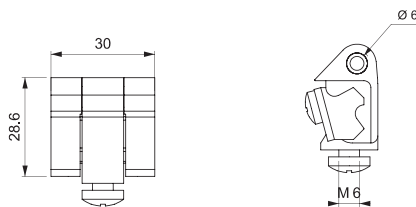
Part Number	Type	Finish	Style	Standard Pack Quantity
40012181E	1	Zinc Alloy and Steel	M5 Stud	25
40020181E	1	Plastic and Steel	M5 Stud	25
20012171E	2	Zinc Alloy and Steel	M6 Stud	25
20012170E	2	Zinc Alloy and Steel	Holes	25
20012250E	3	Zinc Alloy and Steel	Holes	25

Corner Hinge

SR 5086

Zamak DIN-EN 1774-ZnAl4Cu1

FIXING BRACKET: Steel



Part Number	Finish	Standard Pack Quantity
49711E	Chrome	100
49712E	Black Coated	100

Index Hinge

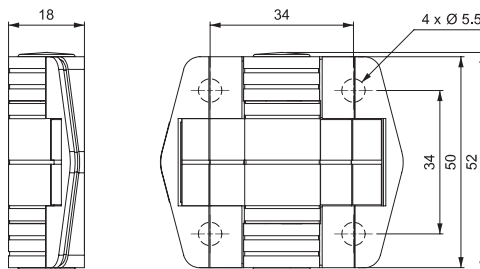
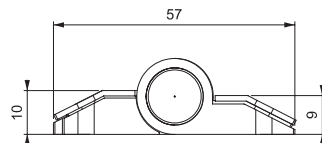
SR 5087

BODY: Polyamide DIN-EN ISO 1043-1 PA6 GFR 30

PIN: Plastic



- Different angle and torque is available
- Holds door open at specific degrees: 80°, 115°, 150°



Part Number	Position	Force (N-m)	Standard Pack Quantity
25992010E	Free	No Detens	50
25992022E	80°	1.1	50
25992032E	115°	1.1	50
25992042E	150°	1.1	50

Spring Hinges with Concealed Mechanism

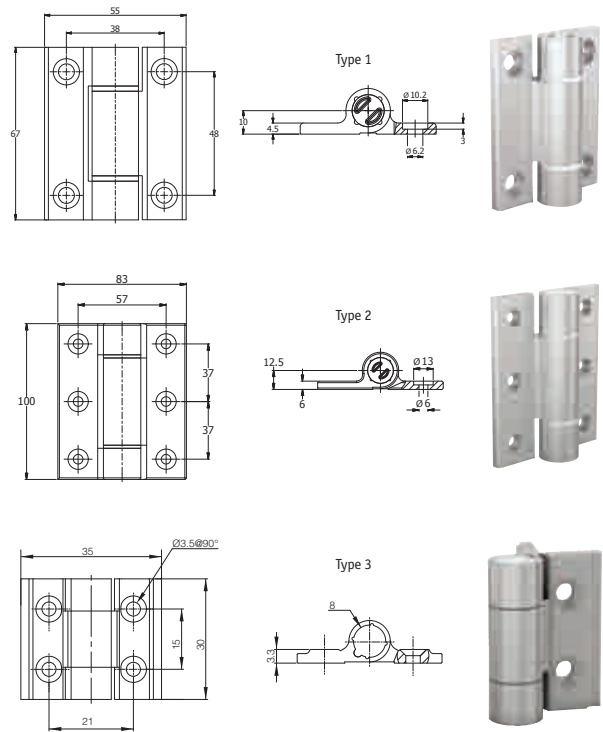
SR 5088

Aluminium

Clear anodised finish, Plug in PA-6,6 30% FG Washer in POM, Spring in steel (Bezinal®)

- Automatic opening and closing of a door
- A completely invisible spring mechanism
- Corrosion resistant

Part Number	Type	Finish	Spring Type	Spring Force	Standard Pack Quantity
1334611	1	Clear	Opening	M(0°): 0.35 N.m/M(90°): 0.24 N.m/M(180°): 0.12 N.m	50
1334612	1	Black	Opening	M(0°): 0.35 N.m/M(90°): 0.24 N.m/M(180°): 0.12 N.m	50
550037	1	Clear	Opening	M(0°): 0.70 N.m/M(90°): 0.45 N.m/M(180°): 0.23 N.m	50
1334613	1	Black	Opening	M(0°): 0.70 N.m/M(90°): 0.45 N.m/M(180°): 0.23 N.m	50
550038	1	Clear	Opening	M(0°): 1.30 N.m/M(90°): 1.10 N.m/M(180°): 0.90 N.m	50
1334614	1	Black	Opening	M(0°): 1.30 N.m/M(90°): 1.10 N.m/M(180°): 0.90 N.m	50
1334615	1	Clear	Closing	M(0°): 0.5 N.m/M(90°): 0.70 N.m/M(180°): 1 N.m	50
1334616	1	Black	Closing	M(0°): 0.5 N.m/M(90°): 0.70 N.m/M(180°): 1 N.m	50
550039	2	Clear	Opening	M(0°): 3.80 N.m/M(90°): 3.10 N.m/M(180°): 2.40 N.m	50
1334617	2	Black	Opening	M(0°): 3.80 N.m/M(90°): 3.10 N.m/M(180°): 2.40 N.m	50
1334618	2	Clear	Closing	M(0°): 2.20 N.m/M(90°): 2.90 N.m/M(180°): 3.50 N.m	50
1334609	3	Clear	Opening	M(0°): 0.20 N.m/M(90°): 0.12 N.m/M(180°): 0.07 N.m	50
1334610	3	Black	Opening	M(0°): 0.20 N.m/M(90°): 0.12 N.m/M(180°): 0.07 N.m	50

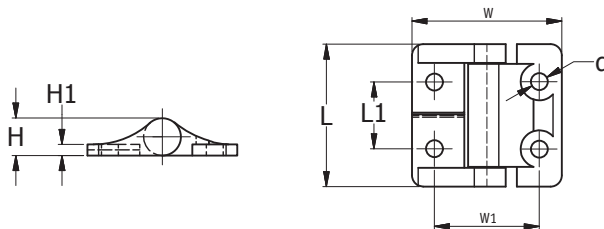


Torque Hinges

SR 5091

Die-cast Zinc Alloy

- Black coated
- Position control – constant torque
- No adjustment required
- Long cycle life
- Symmetric torque: 3.4 Nm for 498293, 2.3 Nm for 498295



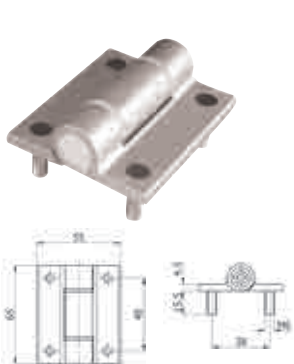
Part Number	Dimensions (mm)							Standard Pack Quantity
	W	w1	L	l1	H	h1	d	
498293	57	34	50.8	34.0	12.7	4.5	5.2	50
498295	40	28	38.0	17.8	10.0	3.0	4.5	50

Heavy Duty Adjustable Torque Hinge

SR 5425

Aluminium

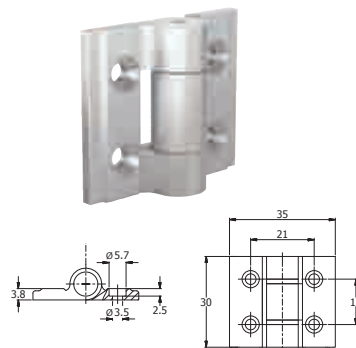
- Adjustable Holding Torque with the aid of a setting key
- Hinge articulates and holds a panel in position
- Eliminates the need for gas strut or lid stay
- Holding torque is adjusted using hex setting screw



M6 Male



M6 Female



M3 Female

Part Number	Fixing	Finish	Tensile Strength	Shear Strength	Holding Torque	Standard Pack Quantity
491980	M6 Female	Black Anodised	6.000N	5.000N	0 to 5 Nm	50
493479	M6 Female	Clear Anodised	6.000N	5.000N	0 to 5 Nm	50
493480	M6 Male	Clear Anodised	6.000N	5.000N	0 to 5 Nm	50
493481	M6 Male	Black Anodised	6.000N	5.000N	0 to 5 Nm	50

Part Number	Fixing	Finish	Tensile Strength	Shear Strength	Holding Torque	Standard Pack Quantity
550036	M3 Female	Clear Anodised	2.240N	1.050N	0 to 1 Nm	50

Detent Hinges

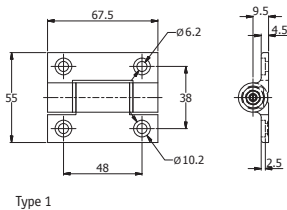
SR 5467

Black Anodised Aluminium 6060 T5

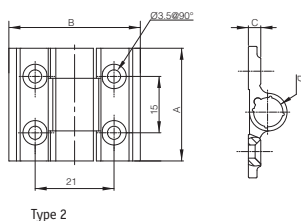
Pin: Stainless Steel



- Hinges are indented every 30° allowing panels to be positioned and maintained without auxiliary components
- Four torque values are available
- Rotation angle from 180° up to 270° depending on fitting
- Torque is a factory preset and cannot be modified by users
- Non-handed fitting
- Weight: 106g



Type 1



Type 2

Type 1

Part Number	Torque (N.m)	Dimensions (mm)				Standard Pack Quantity
		L	W	H	D	
497564	1.8	67.5	55	4.5	13	25
497565	2.5	67.5	55	4.5	13	25
497566	3.2	67.5	55	4.5	13	25
497567	4.5	67.5	55	4.5	13	25

Type 2

Part Number	Finish	Torque (N.m)	Dimensions (mm)				Standard Pack Quantity
			A	B	C	D	
1334619	Clear Anodised	0.3	30	35	3.3	8	25
1334620	Black Anodised	0.3	30	35	3.3	8	25

Stand-Off Hinges

SR 5330

Glass Filled Nylon



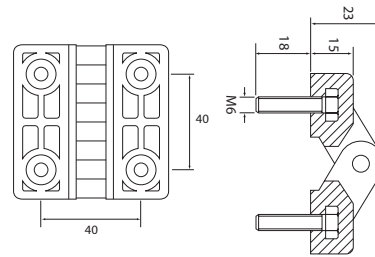
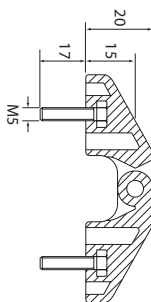
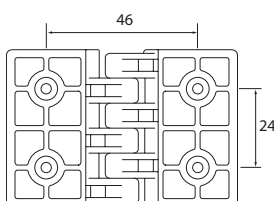
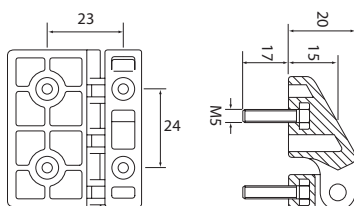
Type 1



Type 2



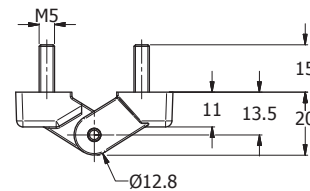
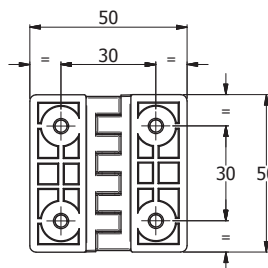
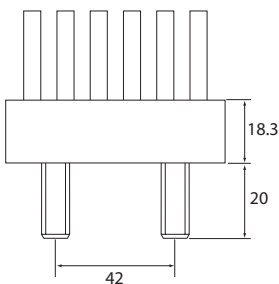
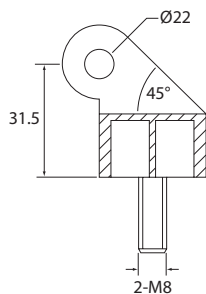
Type 3



Type 4



Type 5



Hinges with Metal Threads

Part Number	Type	Standard Pack Quantity
466238	1	2
466239	2	2
466240	3	2
1199201	5	50
466241	4	2

All dimensions in mm

CONTINUED ON NEXT PAGE

HINGES

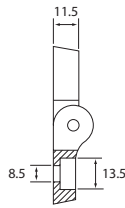
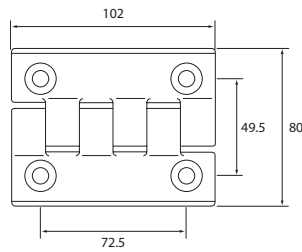
Stand-off Hinge *CONTINUED*

SR 5330

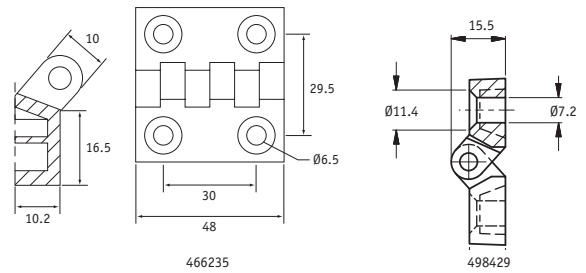
Glass Filled Nylon



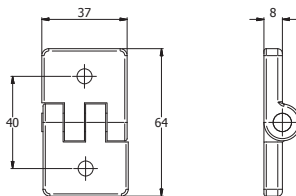
Type 1



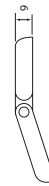
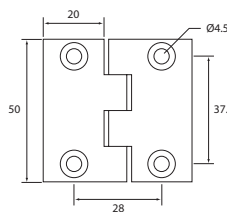
Type 2



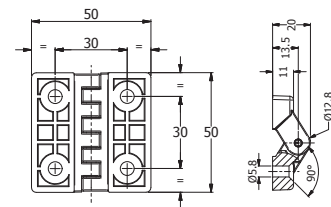
Type 3



Type 4



Type 5



Hinges with Plain Bore Holes

Part Number	Type	Standard Pack Quantity
466234	1	2
466235	2	2
498429	2	2
466236	3	2
466237	4	2
1199202	5	50

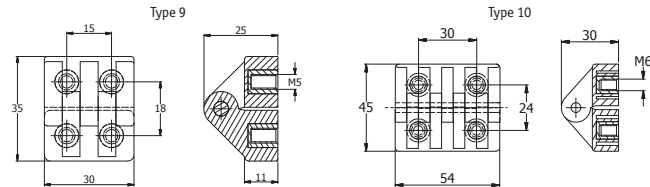
All dimensions in mm

Stand-off Hinges CONTINUED

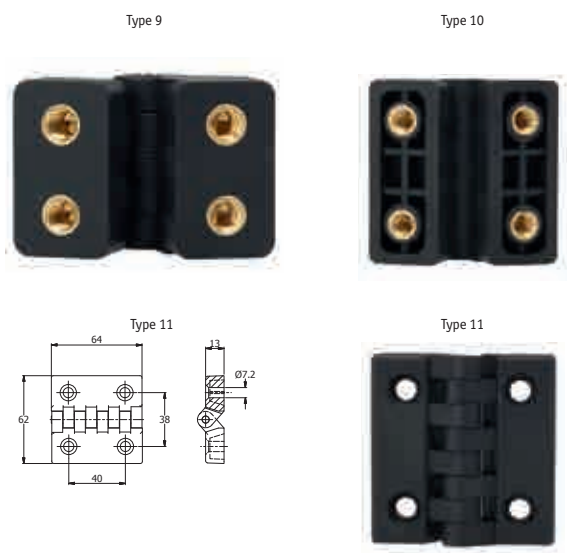
SR 5330

Black Nylon

- Resistant to oil, greases and most industrial chemicals
- Matt black finish
- Type 9 and 10 – with brass inserts
- Type 11 – without brass inserts



Part Number	Type	Standard Pack Quantity
498427	9	2
498428	10	2
498430	11	2



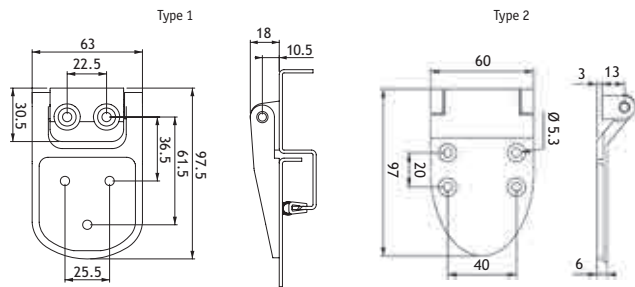
HVAC Hinge

SR 5502

Type 1: Polyamide 30% Glass Fibre Reinforced

Type 2: Black Coated Die-Cast Zinc Alloy

- Type 1 & 2: Stainless steel pin
- Specially designed for air conditioning central units
- Also used for plain/flush mounted heavy doors
- Hinge rotation angle 180°



Type 1: Polyamide 30% Glass Fibre Reinforced

Part Number	Standard Pack Quantity
300E	25

Type 2: Die-Cast Zinc Alloy

Part Number	Standard Pack Quantity
500E	25

All dimensions in mm



3D Adjustable HVAC Hinge

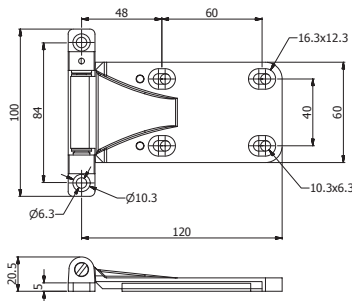
SR 5565

Black Coated Die Cast Zinc Alloy

- Allows three dimensional adjustments
- Height ± 2 mm, Width ± 2 mm, Depth ± 2 mm



- Ideal for large flush fitting doors
- Suitable for air conditioning, electrical panels and machinery covers
- Stainless steel pin



Part Number	Type	Standard Pack Quantity
80012001E	Right Hand	20
80012001E	Left Hand	20

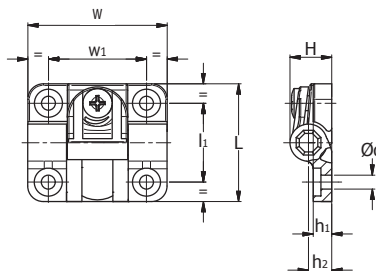
Adjustable Torque Hinge

SR 5098

Body: Polyamide DIN-EN ISO 1043-1 PA6 GFR 30

Screws and Nuts: Stainless Steel 304

- Hinge rotation angle 180°



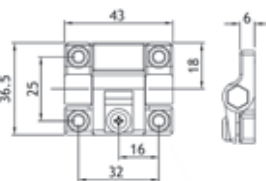
Part Number	Dimensions (mm)								Performance Details							Standard Pack Quantity
	W	L	w1	l1	H	h1	h2	d	Axial load (N)		Radial load (N)		Torque Value	Working Temperature	Fastener Thread	
									Working	Breaking	Working	Breaking				
239920	45.0	38.0	32.0	25.5	13.5	6.0	7.5	4.5	700	1100	1400	1800	0.8 N.m.	-5°C/+65°C	M4	50
249920	63.5	58.0	47.5	38.0	18.5	8.5	11.5	5.6	1500	2350	2250	3200	4 N.m.	-5°C/+65°C	M6	50

Adjustable Torque Hinge

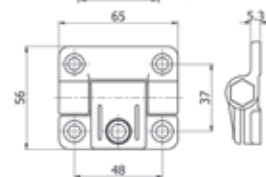
Black or White Acetal Polymer



Medium



Large



- Simple torque adjustment using the screw
- Used to hold doors or panels in position
- Adjusting screw is stainless steel
- Medium hinge is suitable for M4 fixings (not supplied)
- Large hinge is suitable for M6 fixings (not supplied)

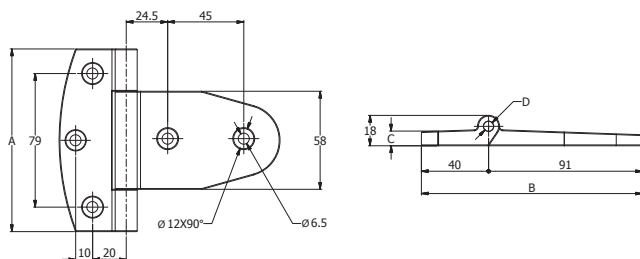
Part Number	Colour	Force (N-m)	Standard Pack Quantity
491311	Black	Medium	10
491312	White	Medium	10
493704	Black	Large	10

Generator Hinge

SR 6494

Polyamide

Nickel Plated Steel Pin



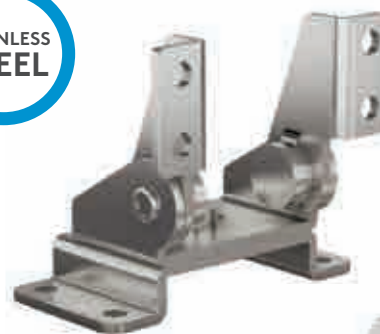
Part Number	Dimensions (mm)				Standard Pack Quantity
	A	B	C	D	
550068	108	131	9.5	6	20

Torque Hinges (Dual Axis)

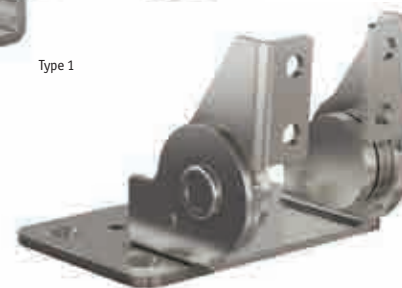
SR 6493

Stainless Steel

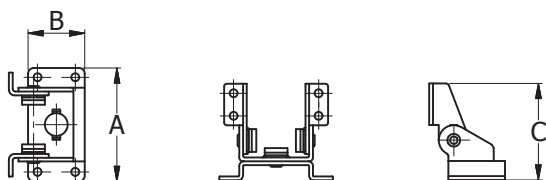
- Free stop at any angle in tilt and swivel
- Provide torque stability in both directions
- Suitable for monitor screen
- For detailed drawings please refer to our website



Type 1



Type 2



Type 1:

Torque: 2.9Nm tilting

Torque: 1.4Nm swiveling

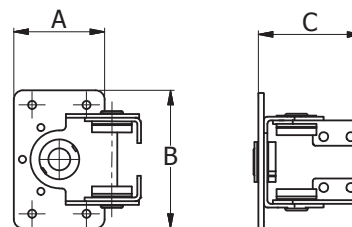
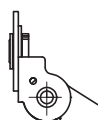
Part Number	Dimensions (mm)			Standard Pack Quantity
	A	B	C	
550070	60	30	51.4	20

Type 2:

Torque: 7Nm tilting

Torque: 3Nm swiveling

Part Number	Dimensions (mm)			Standard Pack Quantity
	A	B	C	
550069	50	76	54	20

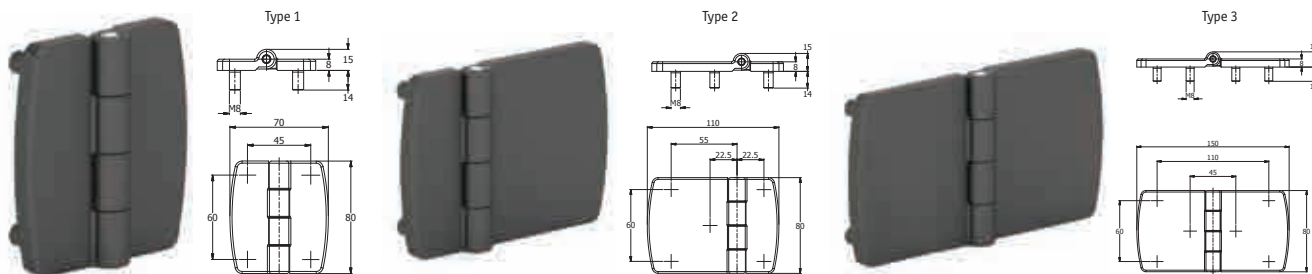


Heavy Duty Hinges

SR 5744

Body: Die-cast Zinc Alloy

Pin: Stainless Steel



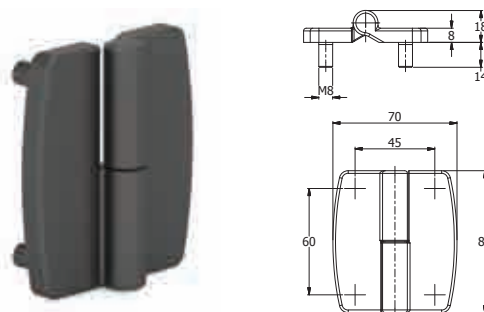
Part Number		Type	Dimensions (mm)		Standard Pack Quantity
Chrome Plated	Black Coated		H	L	
1399111E	1399121E	1	80	70	25
1399112E	1399122E	2	80	110	25
1399113E	1399123E	3	80	150	20

Heavy Duty Designed Hinges

SR 5745

Body: Die-cast Zinc Alloy

Pin: Stainless Steel



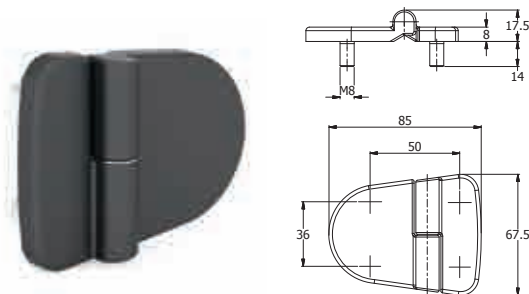
Part Number		Hand	Dimensions (mm)		Standard Pack Quantity
Chrome Plated	Black Coated		H	L	
1699111001E	1699121001E	Right	80	70	20
1699111002E	1699121002E	Left	80	70	20

Heavy Duty Designed Hinges

SR 5746

Body: Die-cast Zinc Alloy

Pin: Stainless Steel



Part Number		Hand	Dimensions (mm)		Standard Pack Quantity
Chrome Plated	Black Coated		H	L	
149911001E	149912001E	Right	67.5	85	20
149911002E	149912002E	Left	67.5	85	20



OUR FULL RANGE OF ACCESS SOLUTIONS PRODUCTS

Request our Access Solutions Catalogue today



LOCKS



ROD LATCH
SYSTEMS



COMPRESSION
LOCKS



GASKETING



HINGES

Call 0845 758 5070

www.essentracomponents.co.uk